



US00D735887S

(12) **United States Design Patent**  
**Walsh et al.**

(10) **Patent No.:** **US D735,887 S**  
(45) **Date of Patent:** **\*\* Aug. 4, 2015**

(54) **DOOR FACING**

(71) Applicant: **Masonite Corporation**, Tampa, FL (US)

(72) Inventors: **Jason Walsh**, Batavia, IL (US); **Doug Thompson**, Rockwood, PA (US); **Keith Kometer**, Tampa, FL (US); **Jason Caulk**, Tampa, FL (US)

(73) Assignee: **Masonite Corporation**, Tampa, FL (US)

(\*\*) Term: **14 Years**

(21) Appl. No.: **29/468,621**

(22) Filed: **Oct. 1, 2013**

**Related U.S. Application Data**

(60) Division of application No. 29/431,090, filed on Sep. 4, 2012, now Pat. No. Des. 690,830, which is a continuation of application No. 29/411,622, filed on Jan. 24, 2012, now Pat. No. Des. 666,739, which is a continuation of application No. 29/394,745, filed on Jun. 21, 2011, now Pat. No. Des. 652,948, which is a division of application No. 29/377,231, filed on Oct. 19, 2010, now Pat. No. Des. 640,391, which is a division of application No. 29/357,144, filed on Mar. 8, 2010, now Pat. No. Des. 625,836, which is a division of application No. 29/331,010, filed on Jan. 16, 2009, now Pat. No. Des. 611,614.

(51) **LOC (10) Cl.** ..... **25-02**

(52) **U.S. Cl.**  
USPC ..... **D25/48.3**

(58) **Field of Classification Search**  
USPC ..... 52/455, 456, 311, 311.2, 764, 784.1, 52/630, 311.3, 782.1, 313, 458, 457, 779, 52/475.1, 474, 778, 507; 49/DIG. 2, 501, 49/504; 428/45

See application file for complete search history.

(56) **References Cited**

U.S. PATENT DOCUMENTS

D201,873 S	8/1965	Damiani	
D265,929 S *	8/1982	Simpson .....	D25/48.3
D270,665 S	9/1983	Cascone et al.	
5,022,206 A *	6/1991	Schild et al. ....	52/455
D495,062 S	8/2004	Lynch et al.	
D534,660 S	1/2007	Lynch	
D566,297 S	4/2008	Lynch et al.	
2006/0000173 A1	1/2006	Edstrom	

\* cited by examiner

*Primary Examiner* — Doris Clark

(74) *Attorney, Agent, or Firm* — Berenato & White, LLC

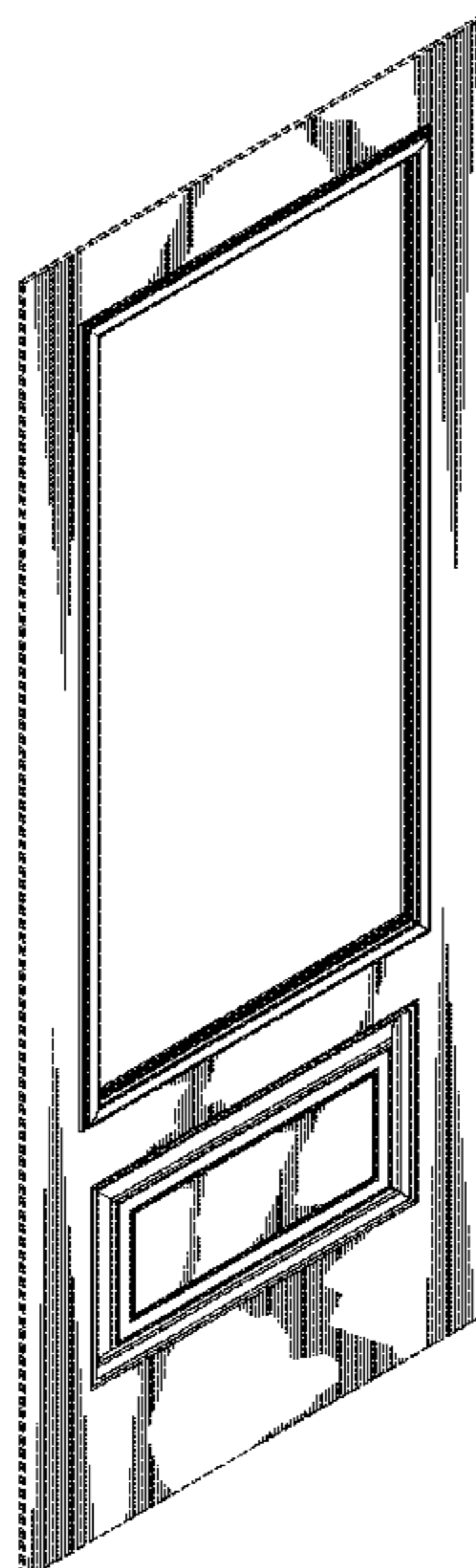
(57) **CLAIM**

The ornamental design for a door facing, as shown and described.

**DESCRIPTION**

FIG. 1 is a front perspective view of our design;  
FIG. 2 is a front elevational view;  
FIG. 3 is a rear elevational view;  
FIG. 4 is a top plan view;  
FIG. 5 is a bottom plan view;  
FIG. 6 is a cross sectional view taken along the line 6-6 of FIG. 2 and viewed in the direction of the arrows;  
FIG. 7 is an enlarged fragmentary cross sectional view taken along the line 7-7 of FIG. 2 and viewed in the direction of the arrows;  
FIG. 8 is a left side elevational view; and,  
FIG. 9 is a right side elevational view.  
The broken lines are for illustrative purposes only and form no part of the claimed design.

**1 Claim, 5 Drawing Sheets**



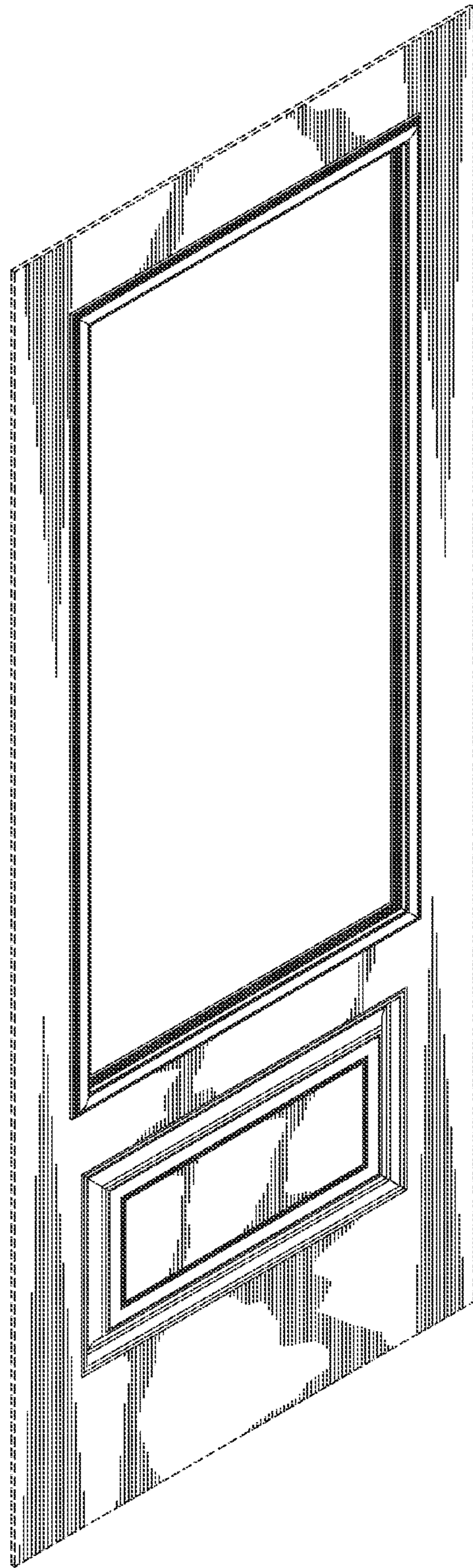


FIG. 1

FIG. 2

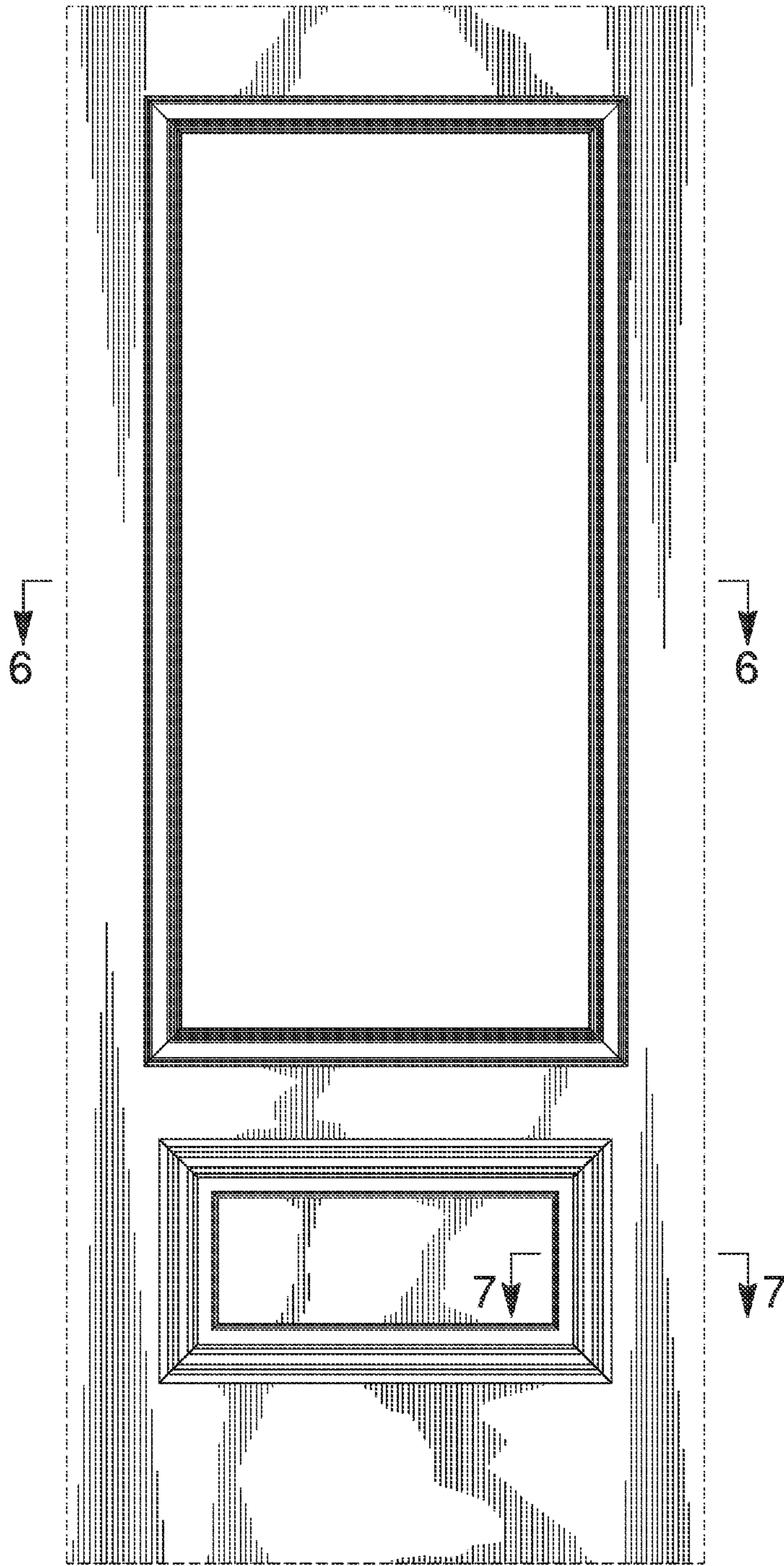


FIG. 3

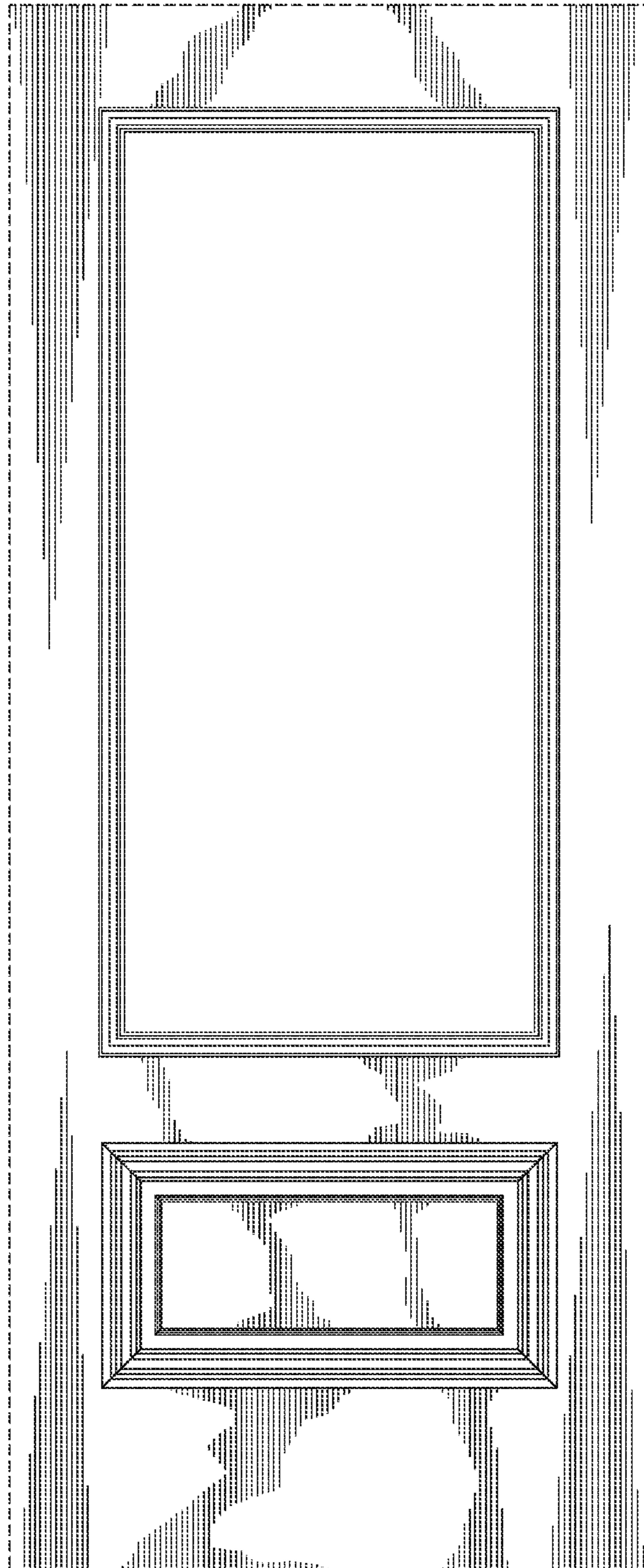


FIG. 4



FIG. 5



FIG. 6

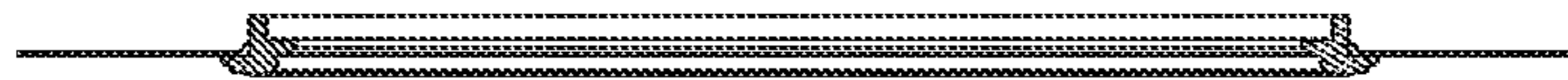


FIG. 7

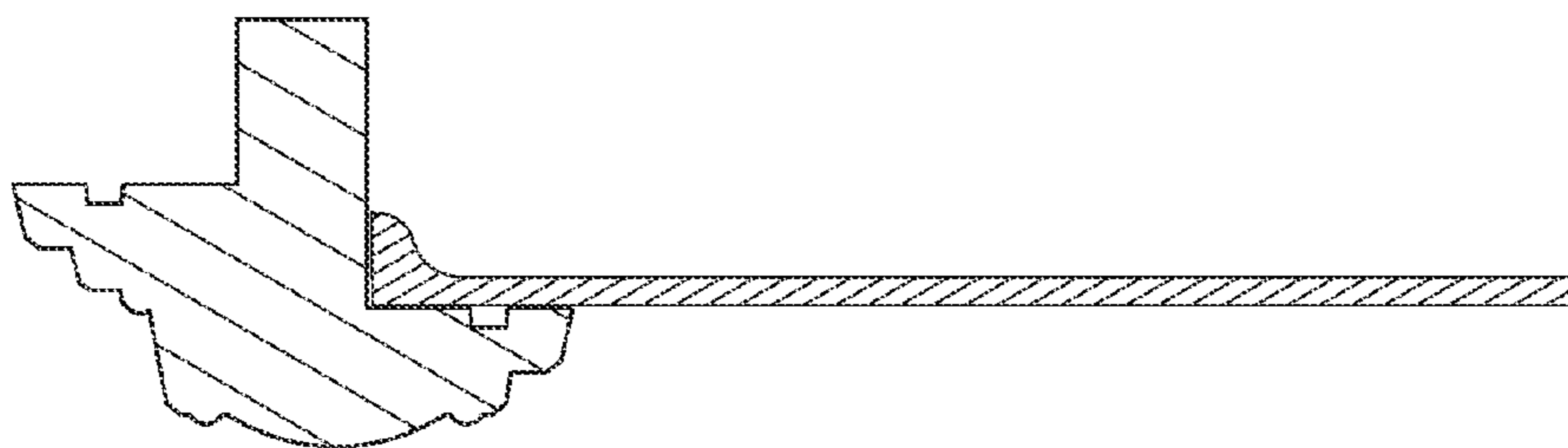


FIG. 8

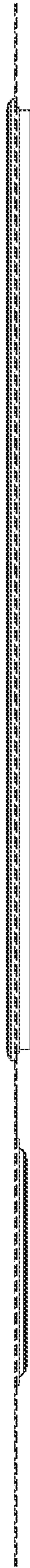


FIG. 9

