



US00D735882S

(12) **United States Design Patent**
Larson

(10) **Patent No.:** **US D735,882 S**

(45) **Date of Patent:** **** Aug. 4, 2015**

(54) **PUMP**

(75) **Inventor:** **David Aaron Larson**, St. Charles, IL
(US)

(73) **Assignee:** **Nomis LLC**, Palatine, IL (US)

(**) **Term:** **14 Years**

(21) **Appl. No.:** **29/431,527**

(22) **Filed:** **Sep. 7, 2012**

(51) **LOC (10) Cl.** **24-00**

(52) **U.S. Cl.**
USPC **D24/231**

(58) **Field of Classification Search**

USPC D24/220, 164, 221, 176, 180, 170, 187,
D24/142, 64, 165, 110.5, 110, 186, 232,
D24/216, 231, 169, 168, 163; D7/379;
D15/19, 138, 147; D14/218; D10/78,
D10/96; 73/23.3, 861.52; 128/205.24;
600/538, 529, 532; 222/145.6;
366/172.1, 181.4, 307, 318, 320, 323,
366/336, 339; 417/20, 123, 137, 148, 235,
417/265, 321, 355, 358

CPC A47L 5/10; F04B 25/00; F04B 17/00;
F04B 47/04; F04D 3/02

See application file for complete search history.

(56) **References Cited**

U.S. PATENT DOCUMENTS

D118,115 S *	12/1939	Hartmann	D15/7
D187,674 S *	4/1960	Cook et al.	D15/7
D240,272 S *	6/1976	Philpott	D15/7
D252,811 S *	9/1979	Arakawa	D15/7
D268,183 S *	3/1983	Ohmann et al.	D15/7
D352,720 S *	11/1994	Gildersleeve et al.	D15/7
D466,524 S *	12/2002	Makino et al.	D15/9
D510,938 S *	10/2005	Thomas et al.	D15/7
D526,665 S *	8/2006	Hsiao	D15/9
D613,769 S *	4/2010	Kitamura et al.	D15/7

D673,584 S *	1/2013	Nam et al.	D15/7
D675,231 S *	1/2013	Headley et al.	D15/7
D696,695 S *	12/2013	Sofussen et al.	D15/7
D699,763 S *	2/2014	Fitch et al.	D15/7

OTHER PUBLICATIONS

“Wolcraft Waterpump . . .” reference dated (user review): Aug. 30, 2009, found on the internet at: <http://www.amazon.co.uk/Wolcraft-Waterpump-Attachment-drills-1300/dp/B0001P1972/>.*

“New Drill Powered Water Pump . . .” reference dated (user review): Feb. 14, 2010, found on the internet at: http://www.amazon.com/dp/B000JXWY98/ref=asc_df_B000JXWY983061251?smid=A3.*

“Jabsco Drill-Powered Pump” reference dated Jan. 31, 2008, found on the internet at: <http://toolmonger.com/2008/01/31/jabsco-drill-powered-pump/>.*

(Continued)

Primary Examiner — Holly Baynham

Assistant Examiner — Rhea Shields

(74) *Attorney, Agent, or Firm* — Reinhart Boerner Van Deuren P.C.

(57)

CLAIM

I claim the ornamental design for the pump, as shown and described.

DESCRIPTION

FIG. 1 is a top perspective view of an embodiment of the pump;

FIG. 2 is a bottom perspective view thereof;

FIG. 3 is a top view thereof;

FIG. 4 is a side view thereof;

FIG. 5 is a front view thereof;

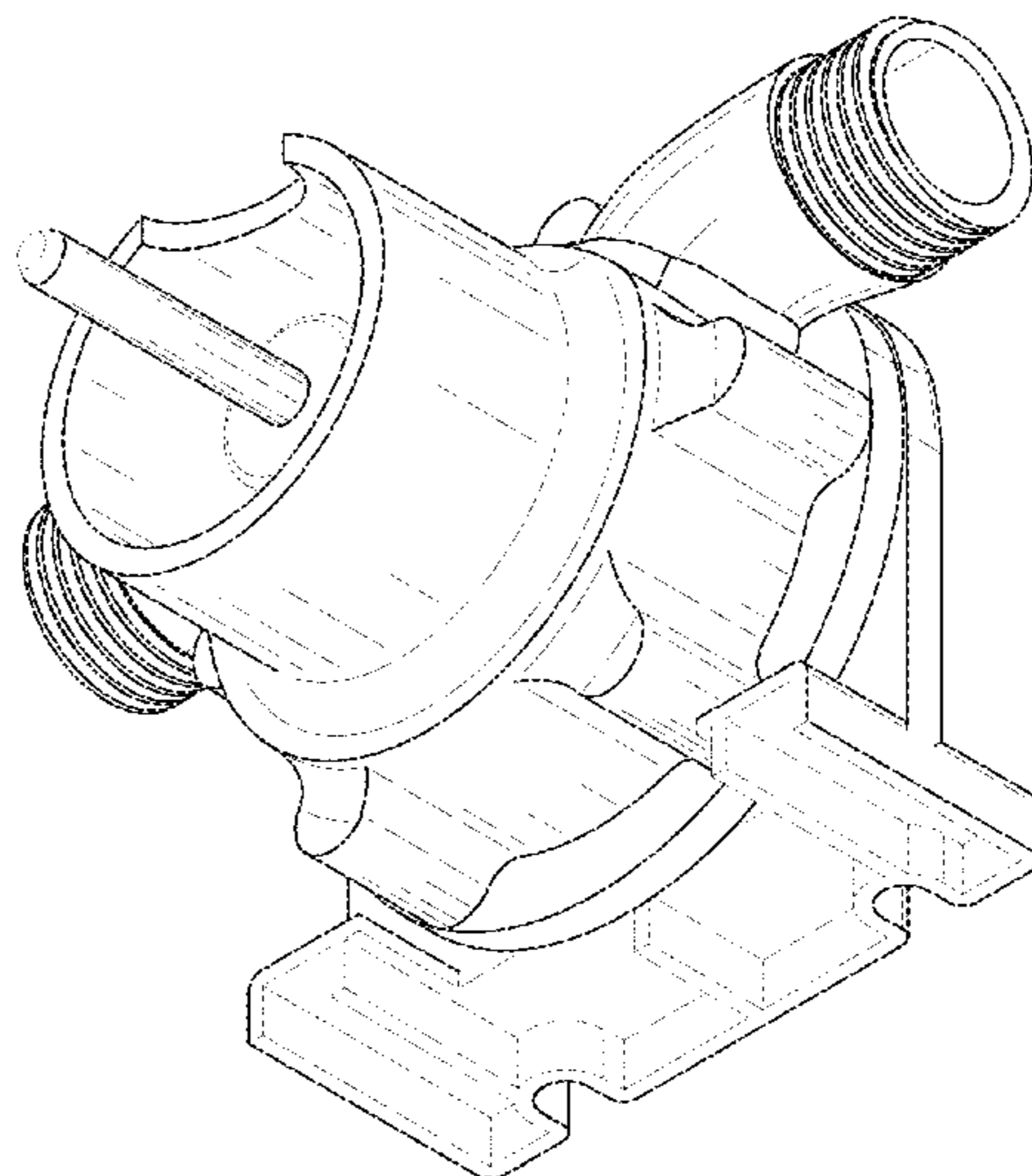
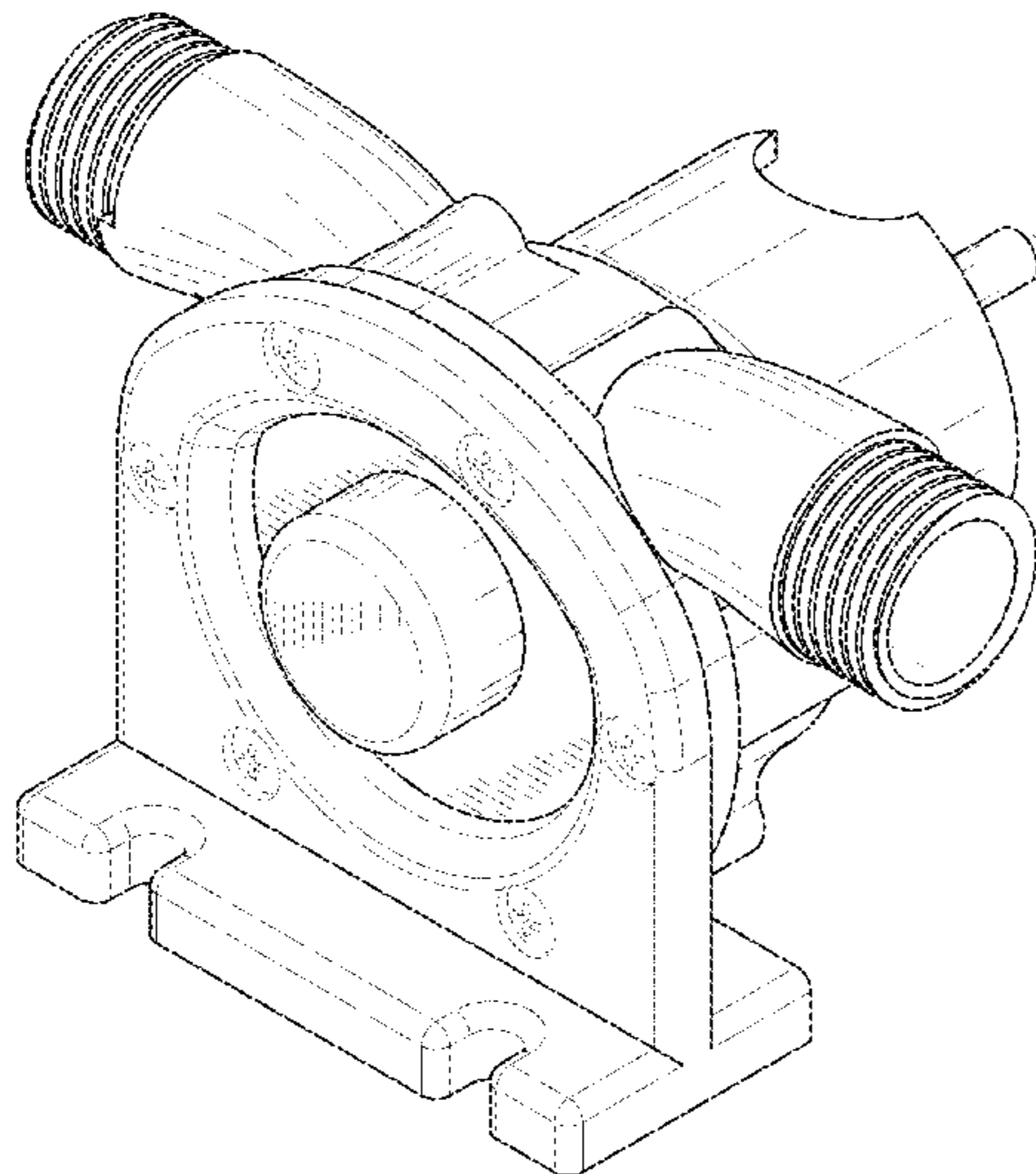
FIG. 6 is a side view of thereof showing the side opposite that shown in FIG. 4;

FIG. 7 is a rear view thereof; and,

FIG. 8 is a bottom view thereof.

In the drawings, the broken lines depict unclaimed subject matter only and form no part of the claimed design.

1 Claim, 8 Drawing Sheets



(56)

References Cited

OTHER PUBLICATIONS

“Drill Powered Water Pump Syphon Attachment” reference dated xx/xx/2011, found on the internet at: <http://www.masterwize.com/products-detail.asp?m=2&id=406&classid1=56>.*

Pictures 1-10 are of commercially available pumps, all pumps known prior to Sep. 7, 2012; 10 pages.

Pictures 11-21 are of commercially available pumps, all pumps known prior to Sep. 7, 2012; 10 pages.

AM-TECH, “Drill Powered Water Pump,” known prior to Sep. 7, 2012, 1 page.

Black & Decker, “X40200 Universal Pump,” known prior to Sep. 7, 2012, 1 page.

Drill Master, “Drill-Powered Pump,” known prior to Sep. 7, 2012, 1 page.

Faithfull, “Water Pump Attachment,” known prior to Sep. 7, 2012, 1 page.

Hawk, “Drill Powered Pump,” known prior to Sep. 7, 2012, 1 page.

Little Giant, “Purpose Drill Pump,” known prior to Sep. 7, 2012, 1 page.

Sealey, “Water Pump Drill Powered,” known prior to Sep. 7, 2012, 1 page.

Unlimited, “Drill Powered Oil/Water Pump Kit,” known prior to Sep. 7, 2012, 1 page.

Vitrex, “Electric Drill Pump Accessory,” known prior to Sep. 7, 2012, 1 page.

Westfalia UK, “Drill Attachment Pump With DP 03,” known prior to Sep. 7, 2012, 1 page.

Westfalia UK, “Drill Attachment Pump With DP 01,” known prior to Sep. 7, 2012, 1 page.

* cited by examiner

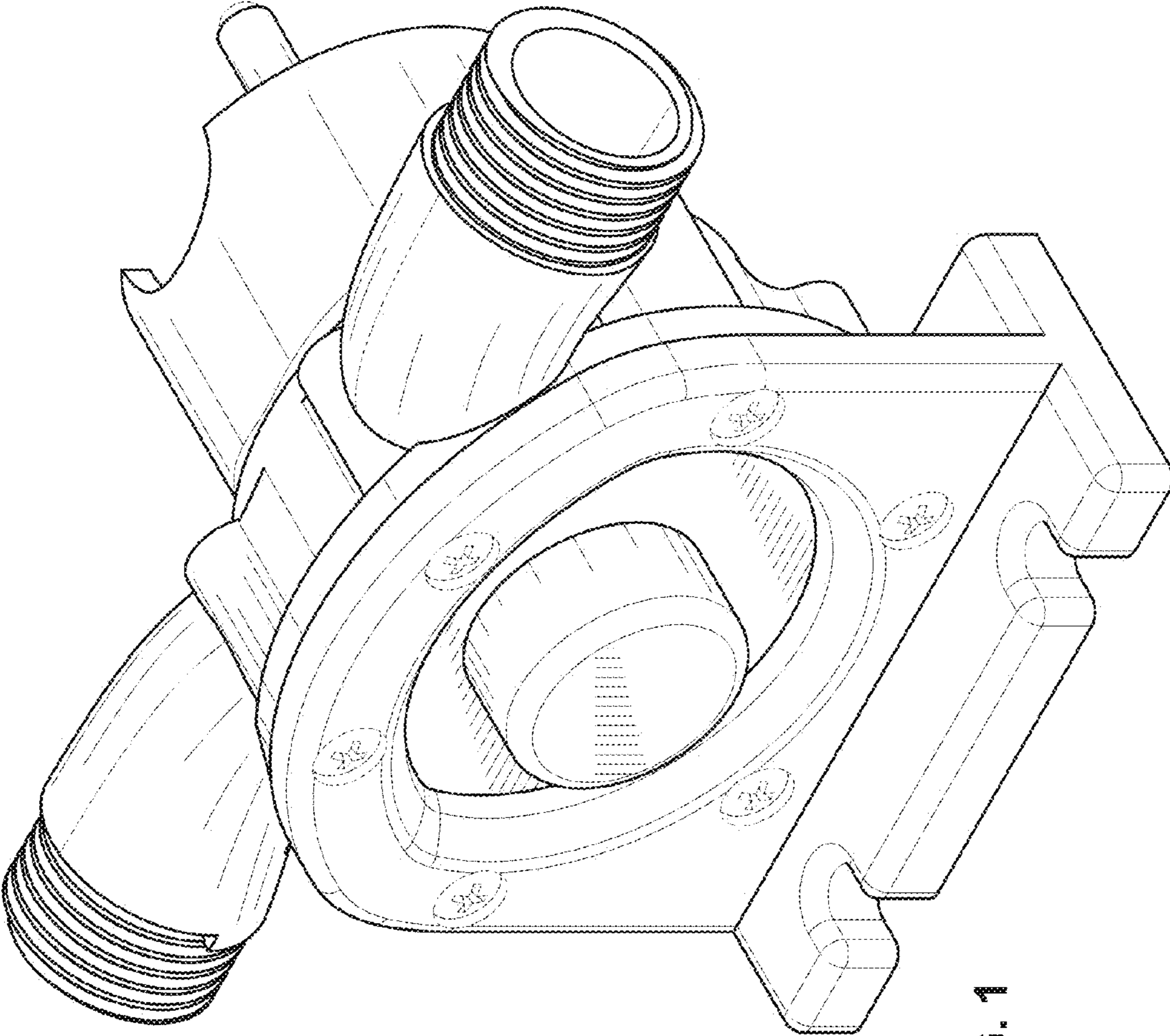


FIG. 1

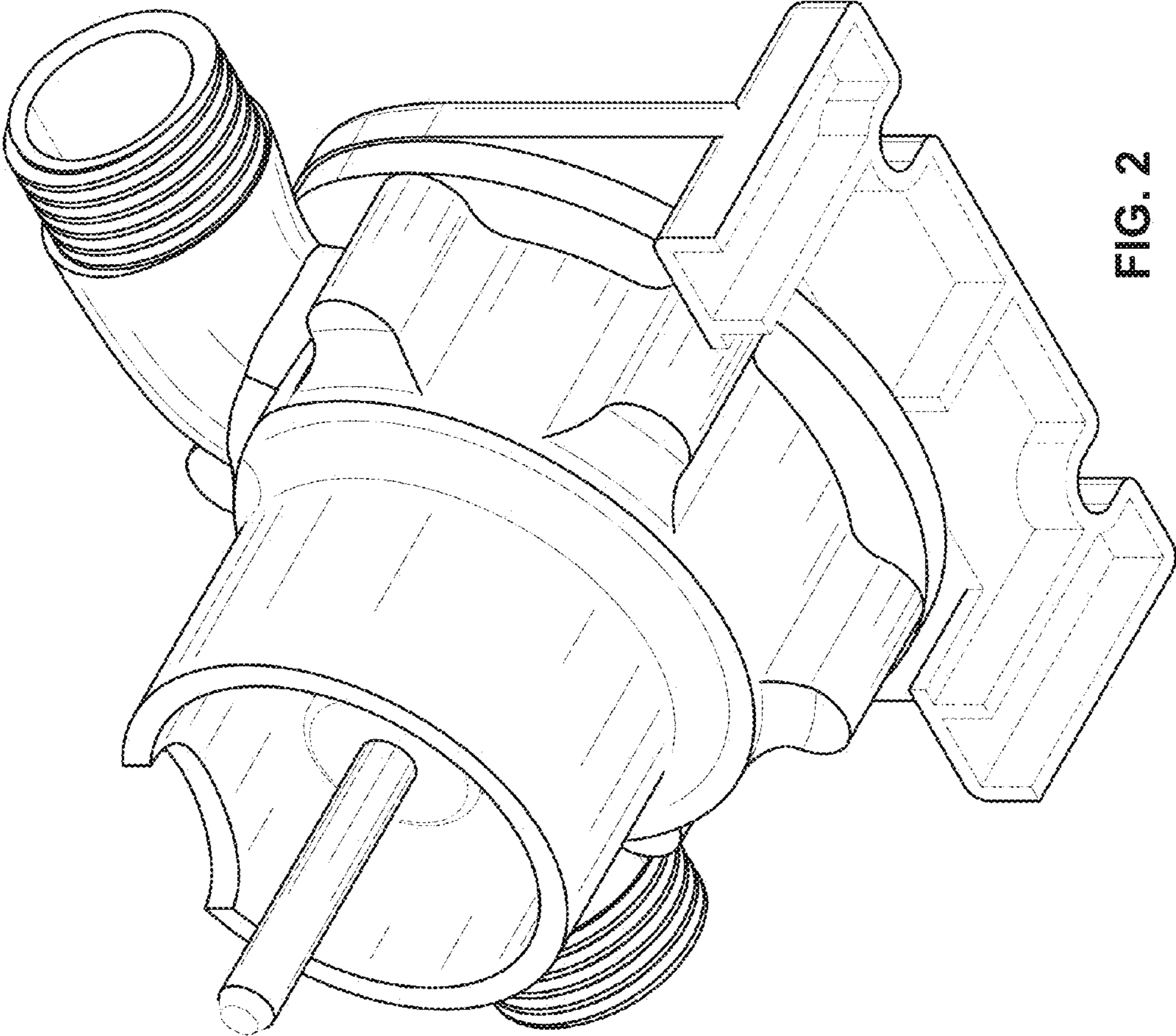


FIG. 2

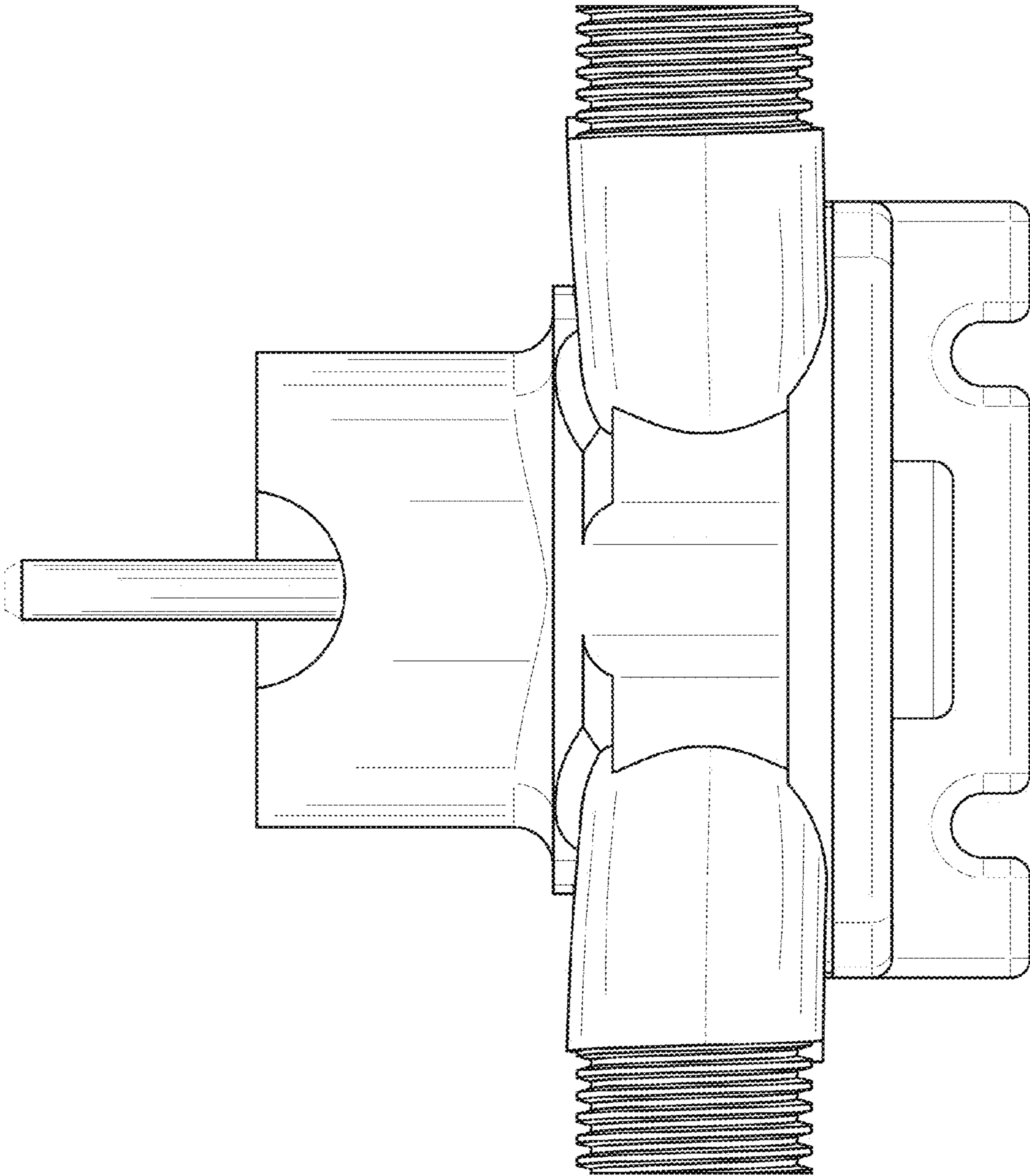


FIG. 3

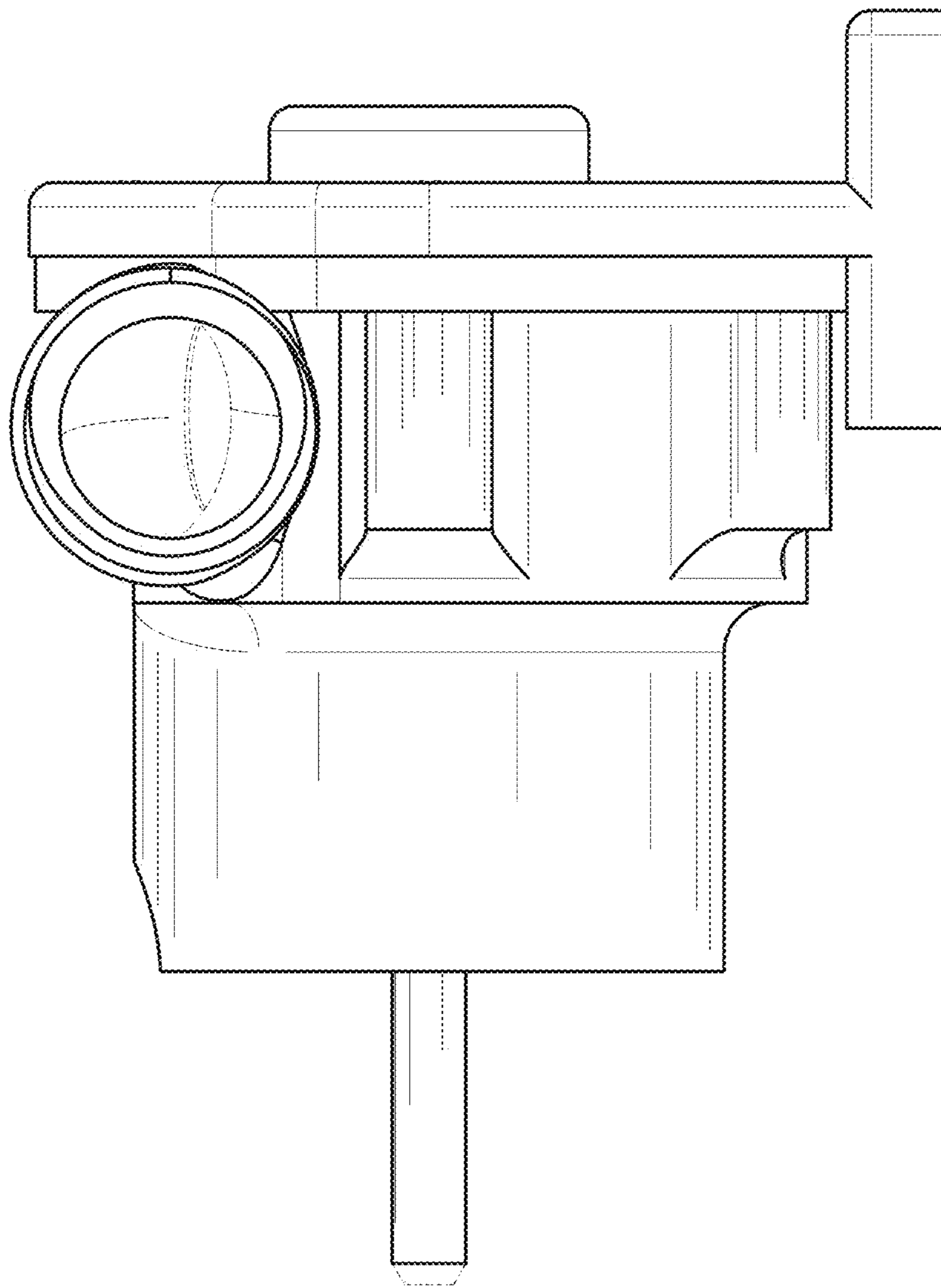


FIG. 4

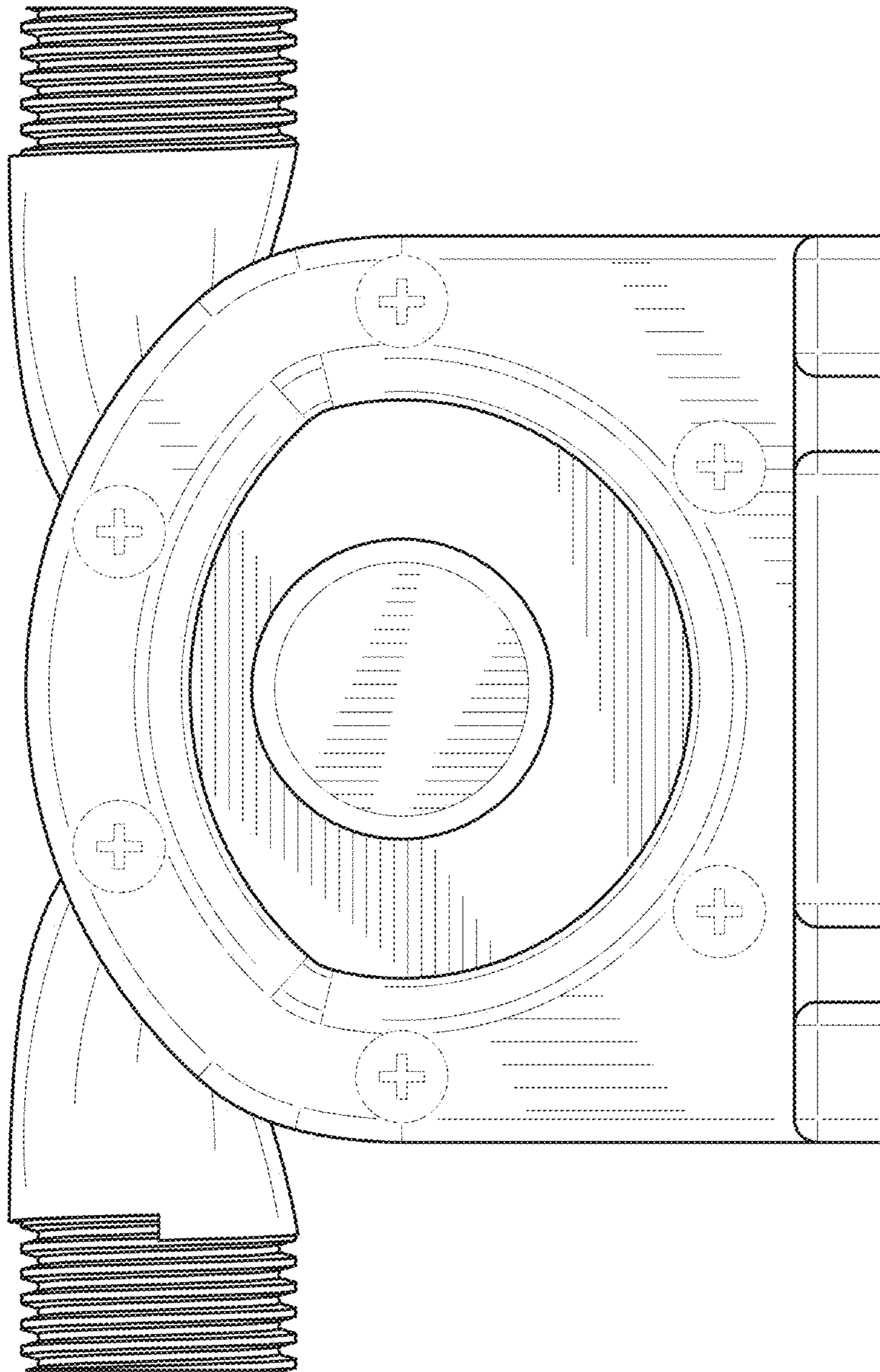


FIG. 5

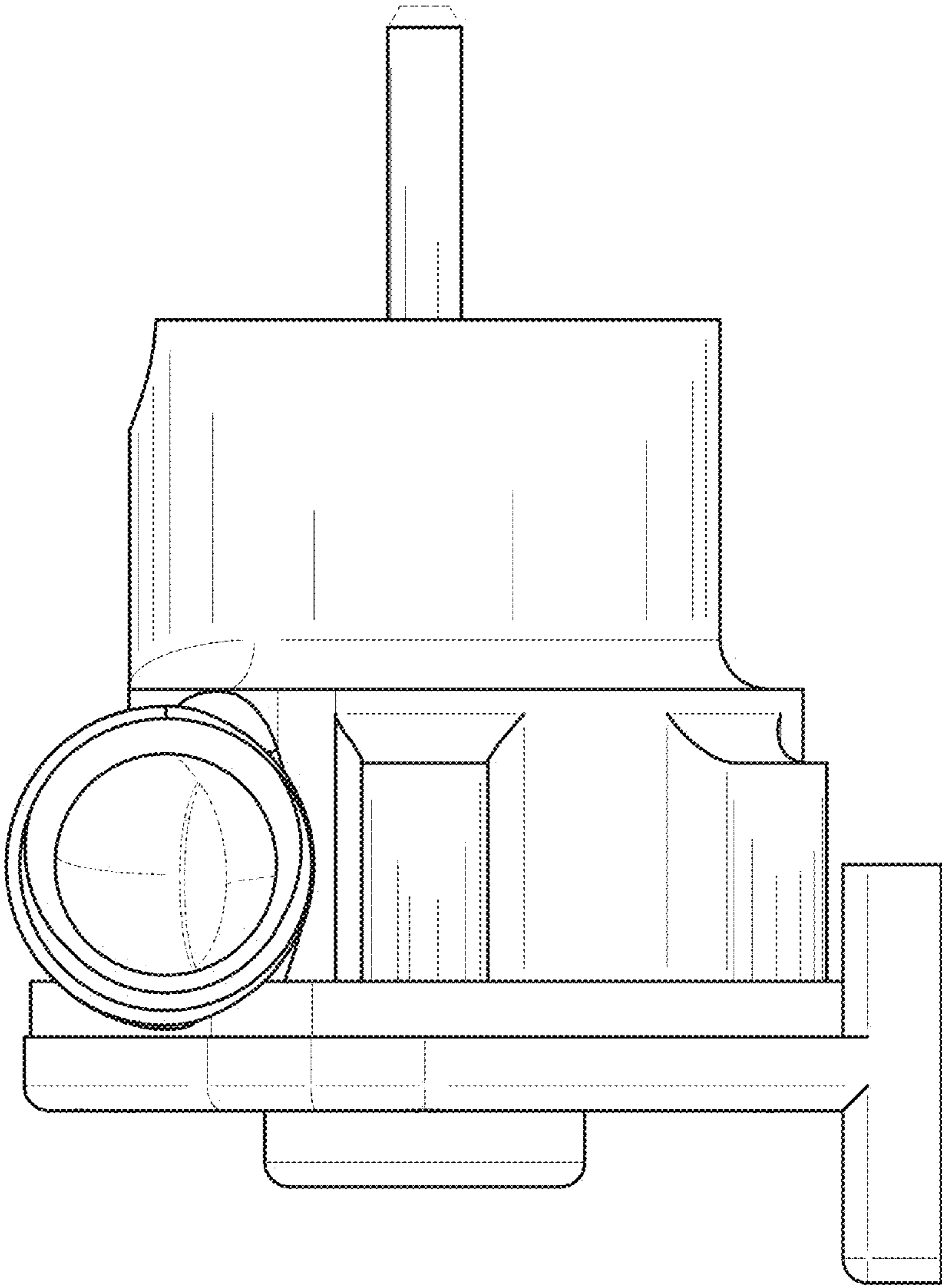


FIG. 6

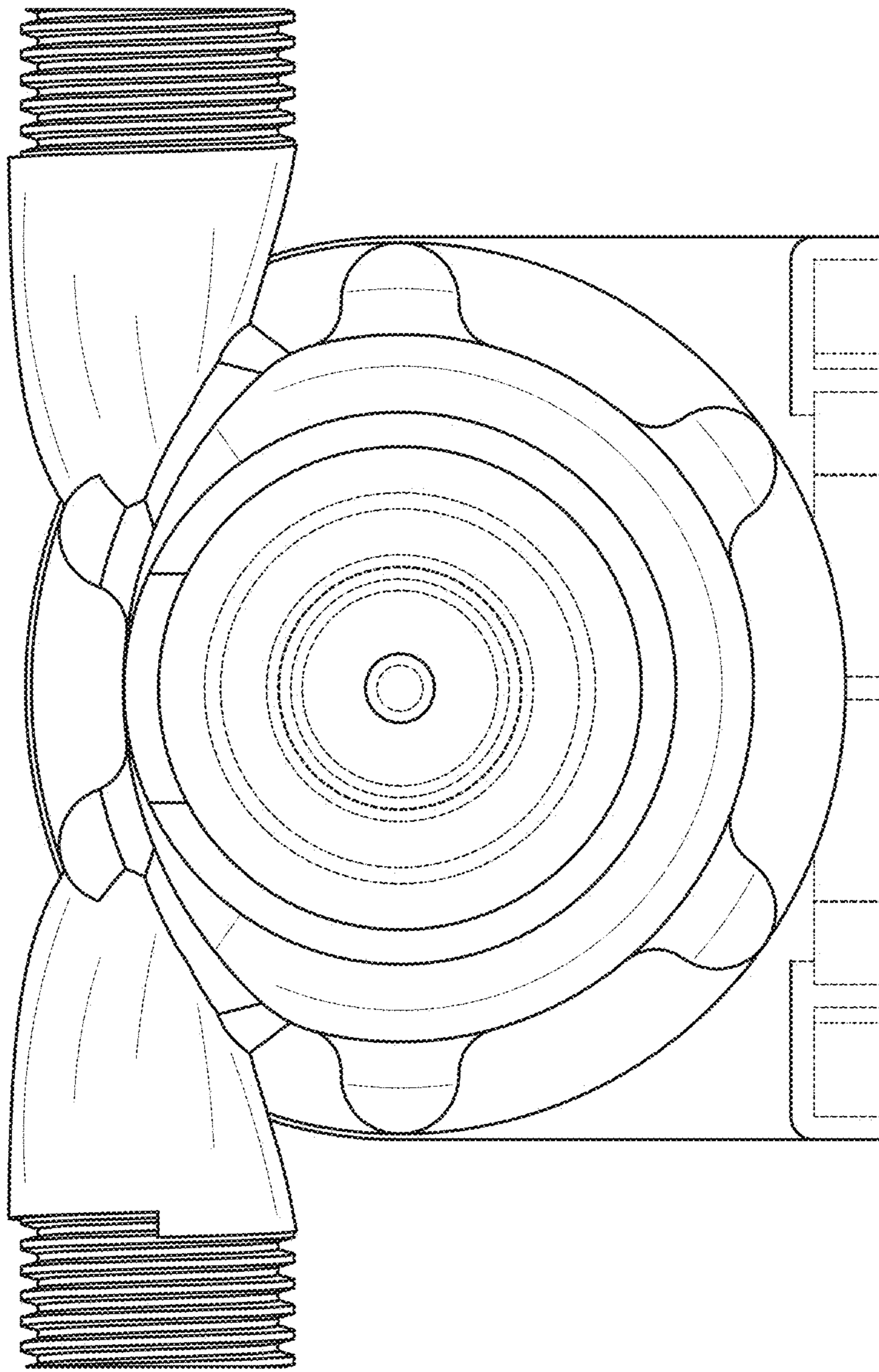


FIG. 7

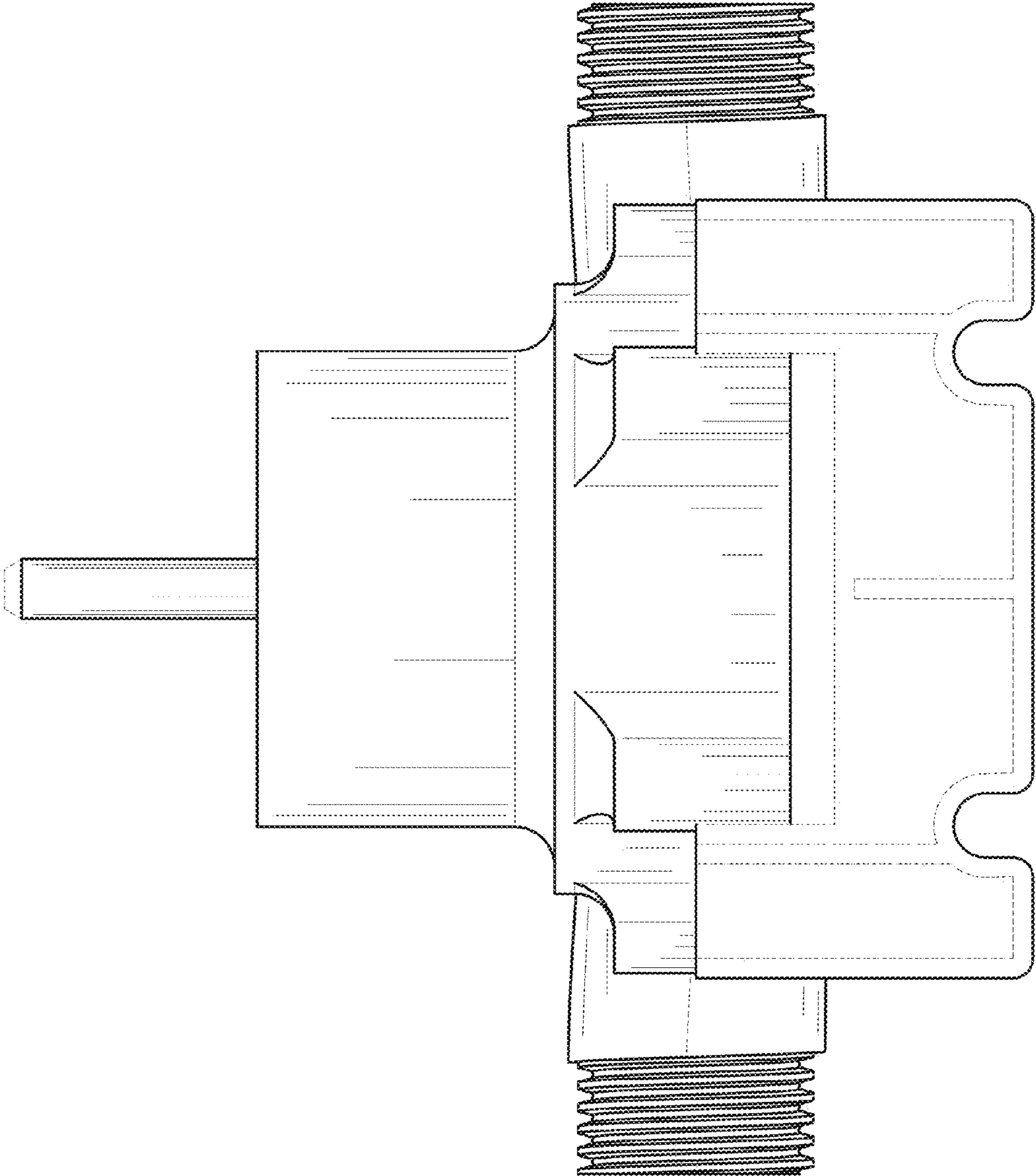


FIG. 8