



US00D735881S

(12) **United States Design Patent**  
**Thomas**

(10) **Patent No.:** **US D735,881 S**  
(45) **Date of Patent:** **\*\* Aug. 4, 2015**

(54) **TUBE STRIP HOLDER FOR AUTOMATED PROCESSING SYSTEMS**

5,487,872 A \* 1/1996 Hafeman et al. .... 422/553  
5,514,343 A \* 5/1996 Verwohlt et al. .... 422/75  
5,650,323 A 7/1997 Root

(71) Applicant: **QIAGEN GAITHERSBURG, INC.**,  
Gaithersburg, MD (US)

(Continued)

(72) Inventor: **Bradley Scott Thomas**, Timonium, MD  
(US)

FOREIGN PATENT DOCUMENTS

GB 2 118 155 10/1983  
WO WO 03/066907 8/2003  
WO WO 2008/140524 11/2008

(73) Assignee: **Qiagen Gaithersburg, Inc.**,  
Gaithersburg, MD (US)

OTHER PUBLICATIONS

MicroLiter Analytical Supplies, Inc., 2010-2011 catalog.

(\*\*) Term: **14 Years**

(Continued)

(21) Appl. No.: **29/435,277**

(22) Filed: **Oct. 22, 2012**

*Primary Examiner* — Mark Goodwin

(51) **LOC (10) CI.** ..... **24-02**

(74) *Attorney, Agent, or Firm* — RatnerPrestia

(52) **U.S. CI.**  
USPC ..... **D24/227**

(57) **CLAIM**

The ornamental design for a tube strip holder for automated processing systems, as shown and described.

(58) **Field of Classification Search**  
USPC ..... D24/224–232, 108, 127–130, 216, 222;  
D9/756; 422/549, 552, 562; 435/288.1,  
435/288.4  
See application file for complete search history.

**DESCRIPTION**

FIG. 1 is a top isometric view of a tube strip holder for automated processing systems according to an embodiment of the present invention.

(56) **References Cited**

U.S. PATENT DOCUMENTS

1,778,843 A 10/1930 Brunhoff  
3,050,239 A 8/1962 Williams, Jr.  
3,902,773 A 9/1975 Gondek  
D246,466 S \* 11/1977 Attree et al. .... D24/226  
4,472,357 A 9/1984 Levy et al.  
4,484,907 A 11/1984 Sheeran, Jr.  
4,599,314 A 7/1986 Shami  
4,743,544 A 5/1988 Namba et al.  
D302,207 S \* 7/1989 Matkovich ..... D24/226  
5,167,929 A 12/1992 Korf et al.  
5,282,543 A 2/1994 Picozza et al.  
D356,232 S 3/1995 Armstrong et al.  
D359,126 S \* 6/1995 Hovatter ..... D24/227  
5,475,610 A 12/1995 Atwood et al.

FIG. 2 is a bottom isometric view of the tube strip holder for automated processing systems shown in FIG. 1.

FIG. 3 is a front elevation view of the tube strip holder for automated processing systems shown in FIG. 1, the rear view being a mirror image of the front view.

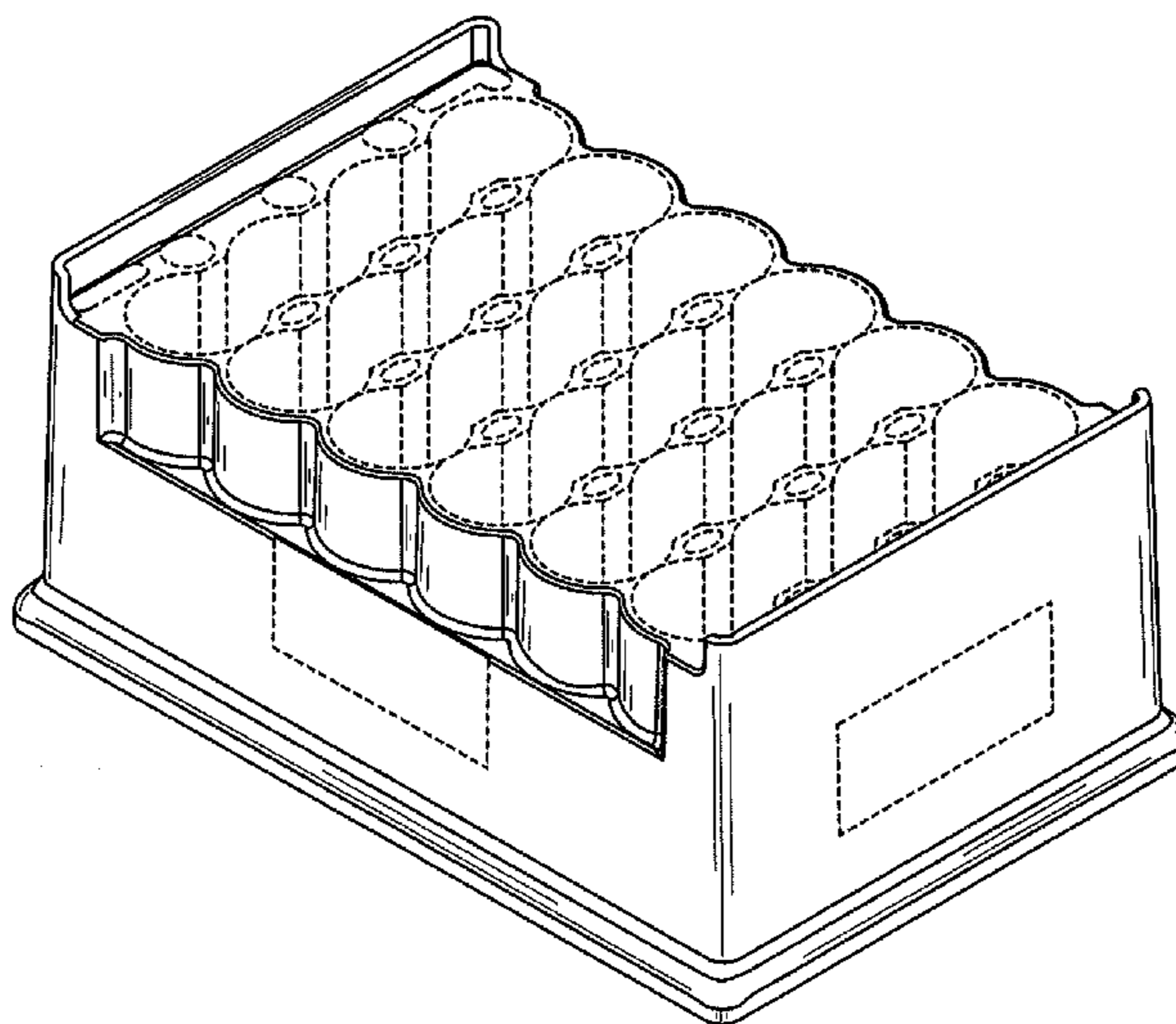
FIG. 4 is a right side view of the tube strip holder for automated processing systems shown in FIG. 1, the left side view being a mirror image of the right side view.

FIG. 5 is a top plan view of the tube strip holder for automated processing systems shown in FIG. 1; and,

FIG. 6 is a bottom plan view of the tube strip holder for automated processing systems shown in FIG. 1.

In the drawings, broken lines indicate environmental structure or boundaries that form no part of the claimed design.

**1 Claim, 3 Drawing Sheets**



(56)

References Cited

U.S. PATENT DOCUMENTS

5,846,493 A 12/1998 Bankier et al.  
 D414,271 S \* 9/1999 Mendoza ..... D24/224  
 6,106,784 A \* 8/2000 Lund et al. .... 422/109  
 6,132,684 A 10/2000 Marino  
 6,136,273 A 10/2000 Seguin et al.  
 6,171,780 B1 1/2001 Pham et al.  
 D445,907 S 7/2001 Monks  
 D448,854 S \* 10/2001 Kuiper et al. .... D24/230  
 D461,554 S \* 8/2002 Lafond et al. .... D24/230  
 6,464,942 B2 \* 10/2002 Coffman et al. .... 422/534  
 D466,219 S \* 11/2002 Wynschenk et al. .... D24/227  
 6,657,169 B2 \* 12/2003 Brown ..... 219/476  
 6,730,883 B2 \* 5/2004 Brown et al. .... 219/428  
 6,796,195 B2 \* 9/2004 Povey et al.  
 6,878,905 B2 \* 4/2005 Brown et al. .... 219/428  
 6,906,292 B2 \* 6/2005 Weinfield et al. .... 219/428  
 7,005,617 B2 \* 2/2006 Brown ..... 219/476  
 D533,948 S \* 12/2006 Schaub et al. .... D24/229  
 D556,338 S \* 11/2007 Coulling et al. .... D24/230  
 D556,339 S \* 11/2007 Coulling et al. .... D24/230  
 7,306,767 B2 12/2007 Mathus et al.  
 D562,463 S \* 2/2008 Berndt et al. .... D24/226  
 D574,506 S \* 8/2008 Monks ..... D24/224  
 D576,208 S \* 9/2008 Quercetti ..... D19/37  
 7,523,649 B2 4/2009 Corey et al.  
 7,543,480 B2 6/2009 Africk et al.  
 D598,566 S \* 8/2009 Allaer ..... D24/230  
 D608,013 S 1/2010 Coulling et al.  
 7,739,911 B2 6/2010 Panetta  
 D621,521 S 8/2010 Nuotio  
 7,838,296 B2 11/2010 Corey et al.  
 D632,404 S \* 2/2011 Karpiloff ..... D24/230  
 D638,138 S \* 5/2011 Wong ..... D24/227

D639,447 S \* 6/2011 Karpiloff ..... D24/230  
 8,246,243 B2 8/2012 Atwood et al.  
 8,252,581 B2 \* 8/2012 Joseph et al. .... 435/287.2  
 8,550,696 B2 \* 10/2013 Ebers et al. .... 366/209  
 D710,024 S \* 7/2014 Guo ..... D24/232  
 D724,236 S \* 3/2015 Motadel et al. .... D24/227  
 2001/0002986 A1 \* 6/2001 Fattinger et al. .... 422/104  
 2002/0030044 A1 3/2002 Brown  
 2003/0106682 A1 6/2003 Reid et al.  
 2004/0241048 A1 \* 12/2004 Shin et al. .... 422/99  
 2005/0158212 A1 7/2005 Yavilevich  
 2006/0013736 A1 1/2006 Blok et al.  
 2006/0115891 A1 6/2006 Jang  
 2006/0263875 A1 11/2006 Scott et al.  
 2006/0266719 A1 11/2006 Knight et al.  
 2007/0217958 A1 \* 9/2007 Orha et al. .... 422/102  
 2008/0194014 A1 8/2008 Young et al.  
 2008/0254517 A1 10/2008 Mortillaro et al.  
 2009/0203084 A1 8/2009 Chen et al.  
 2009/0221059 A1 9/2009 Williams et al.  
 2009/0275116 A1 11/2009 Subramanyam  
 2011/0318743 A1 12/2011 Brevnov et al.  
 2012/0261469 A1 10/2012 Clark et al.

OTHER PUBLICATIONS

International Search Report for International Application No. PCT/US13/65852 dated Jan. 9, 2014.  
 International Search Report for PCT International Application No. PCT/US2013/065850 dated Mar. 11, 2014.  
 Office Action for U.S. Appl. No. 13/657,692 dated Aug. 15, 2014.  
 International Preliminary Report on Patentability for PCT International Application No. PCT/US2013/065852 dated May 7, 2015.  
 International Preliminary Report on Patentability for PCT International Application No. PCT/US2013/065850 dated May 7, 2015.

\* cited by examiner

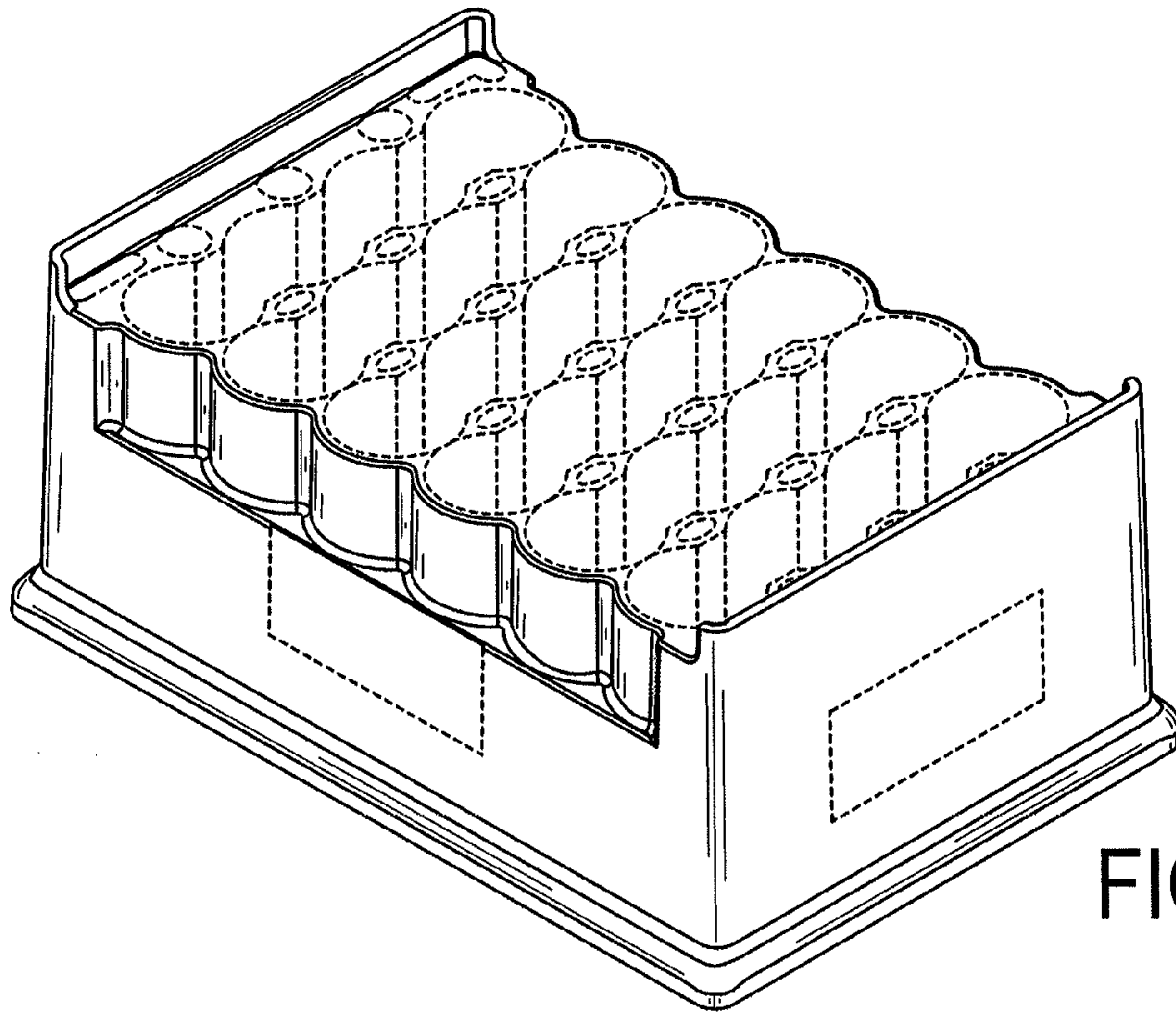


FIG. 1

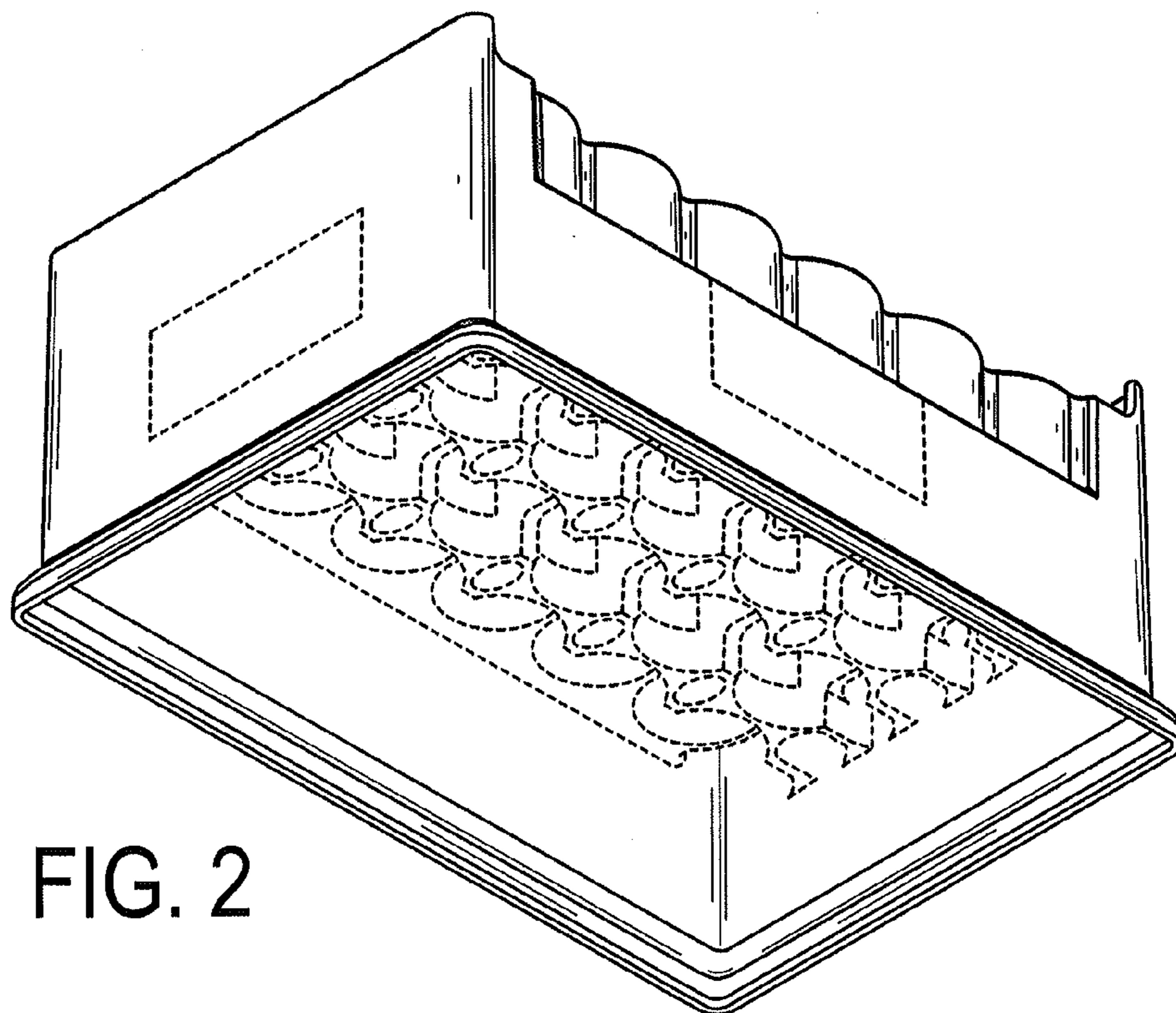


FIG. 2

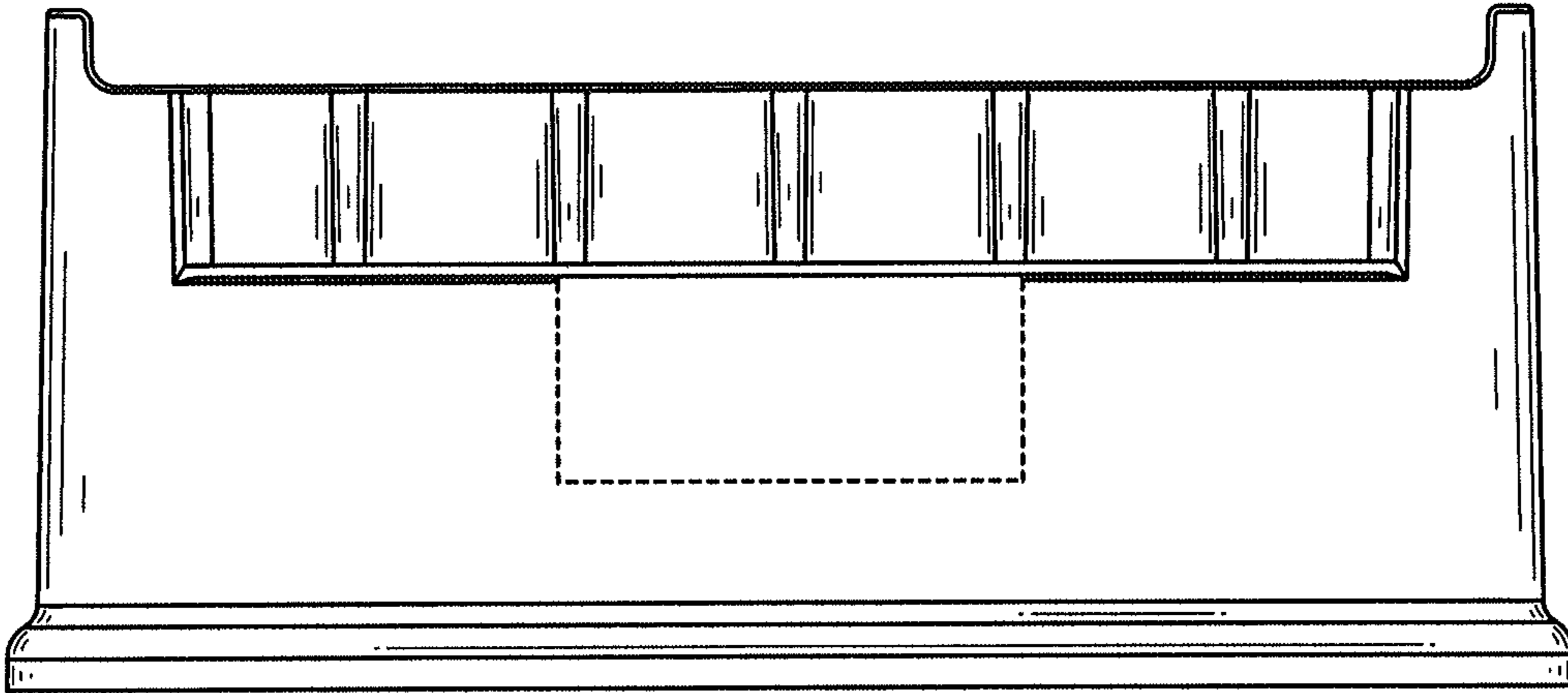


FIG. 3

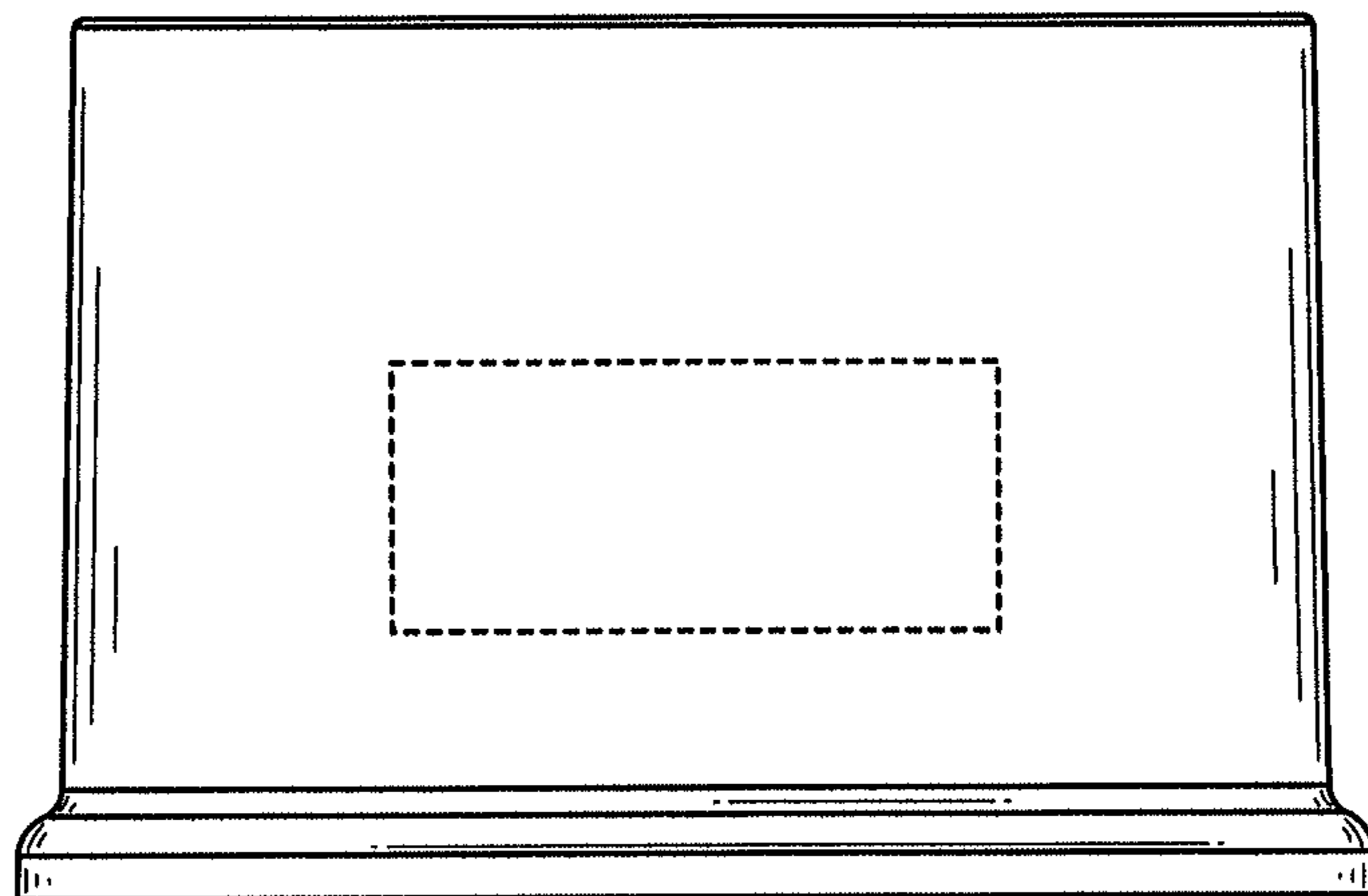


FIG. 4

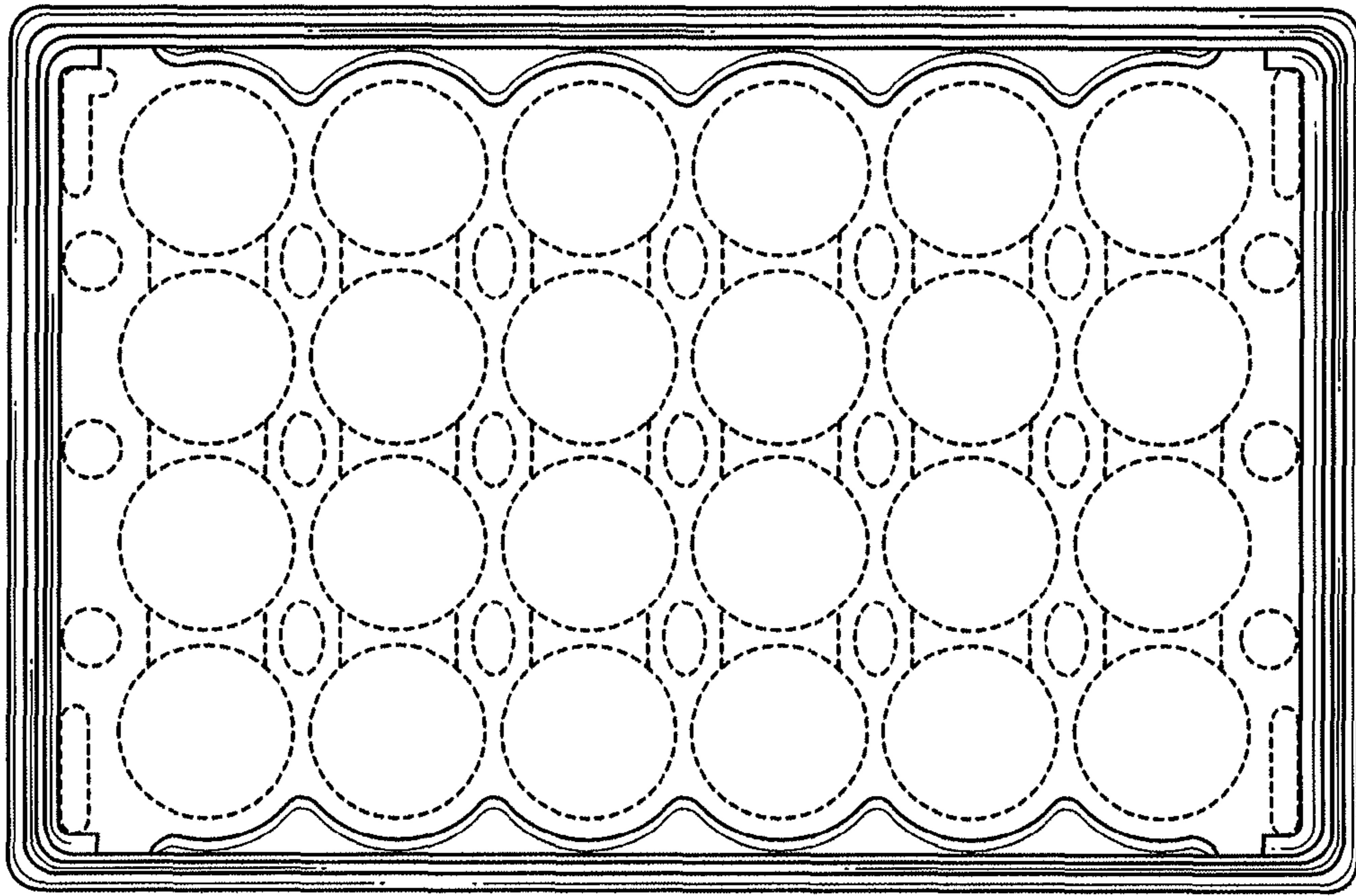


FIG. 5

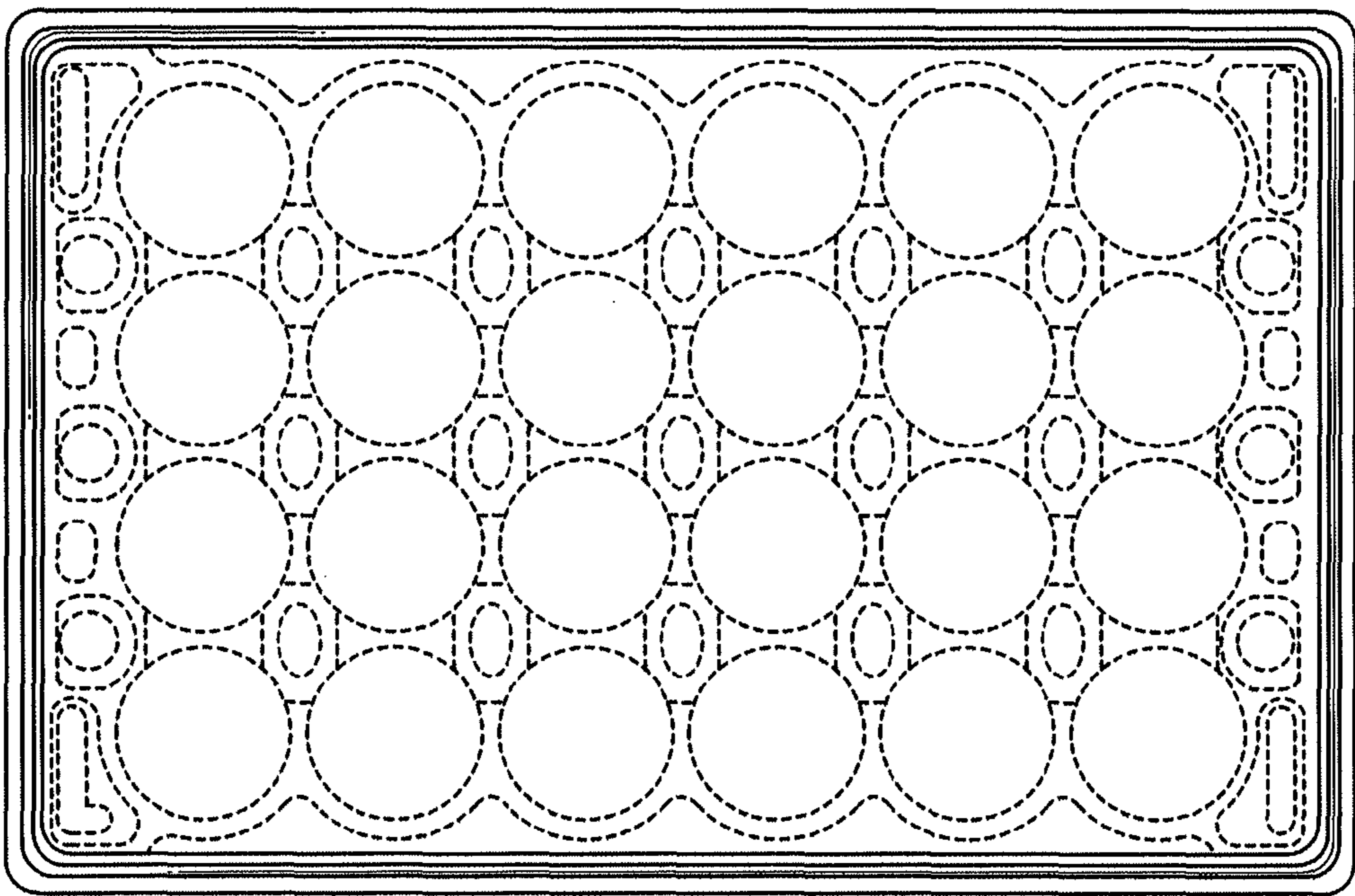


FIG. 6