



US00D735880S

(12) **United States Design Patent**
Bargh et al.

(10) **Patent No.:** **US D735,880 S**
(45) **Date of Patent:** **** Aug. 4, 2015**

(54) **BIOREACTOR VESSEL**

(71) Applicant: **TAP BIOSYSTEMS (PHC) LIMITED**,
Royston, Hertfordshire (GB)

(72) Inventors: **Adrian Neil Bargh**, Royston (GB); **Sean
Kenneth Sullivan**, Baldock (GB)

(73) Assignee: **TAP BIOSYSTEMS (PHC) LIMITED**,
Royston, Hertfordshire (GB)

(**) Term: **14 Years**

(21) Appl. No.: **29/435,588**

(22) Filed: **Oct. 25, 2012**

(51) **LOC (10) Cl.** **24-02**

(52) **U.S. Cl.**
USPC **D24/224**

(58) **Field of Classification Search**
USPC D24/216–217, 219, 223–226, 227,
D24/229–231, 232, 121–123; D10/81;
422/500, 547–554, 556, 558, 559;
435/288.1, 288.2, 288.3, 288.4, 294.1,
435/304.1, 304.3, 305.1–305.4, 295.1,
435/295.3; D3/203.1, 203.2

See application file for complete search history.

(56) **References Cited**

U.S. PATENT DOCUMENTS

D257,289 S * 10/1980 Akimov et al. D24/224
4,634,675 A * 1/1987 Freedman et al. 435/295.1
4,727,040 A * 2/1988 Freedman et al. 435/295.3

D370,263 S * 5/1996 Falkenberg et al. D24/224
D395,517 S * 6/1998 Treu et al. D24/224
D522,145 S * 5/2006 Best et al. D24/224
D569,008 S * 5/2008 Lundqvist et al. D24/232
D641,866 S * 7/2011 Burgess et al. D24/121
D642,282 S * 7/2011 Bargh D24/224
D658,307 S * 4/2012 Recchi et al. D24/216
D665,283 S * 8/2012 Nishimoto D10/81
D678,544 S * 3/2013 Mueller et al. D24/216
D690,826 S * 10/2013 Kuroda et al. D24/224
2003/0008389 A1 * 1/2003 Carl 435/304.1

* cited by examiner

Primary Examiner — T. Chase Nelson

Assistant Examiner — Mark Cavanna

(74) *Attorney, Agent, or Firm* — Roylance, Abrams, Berdo
& Goodman, L.L.P.

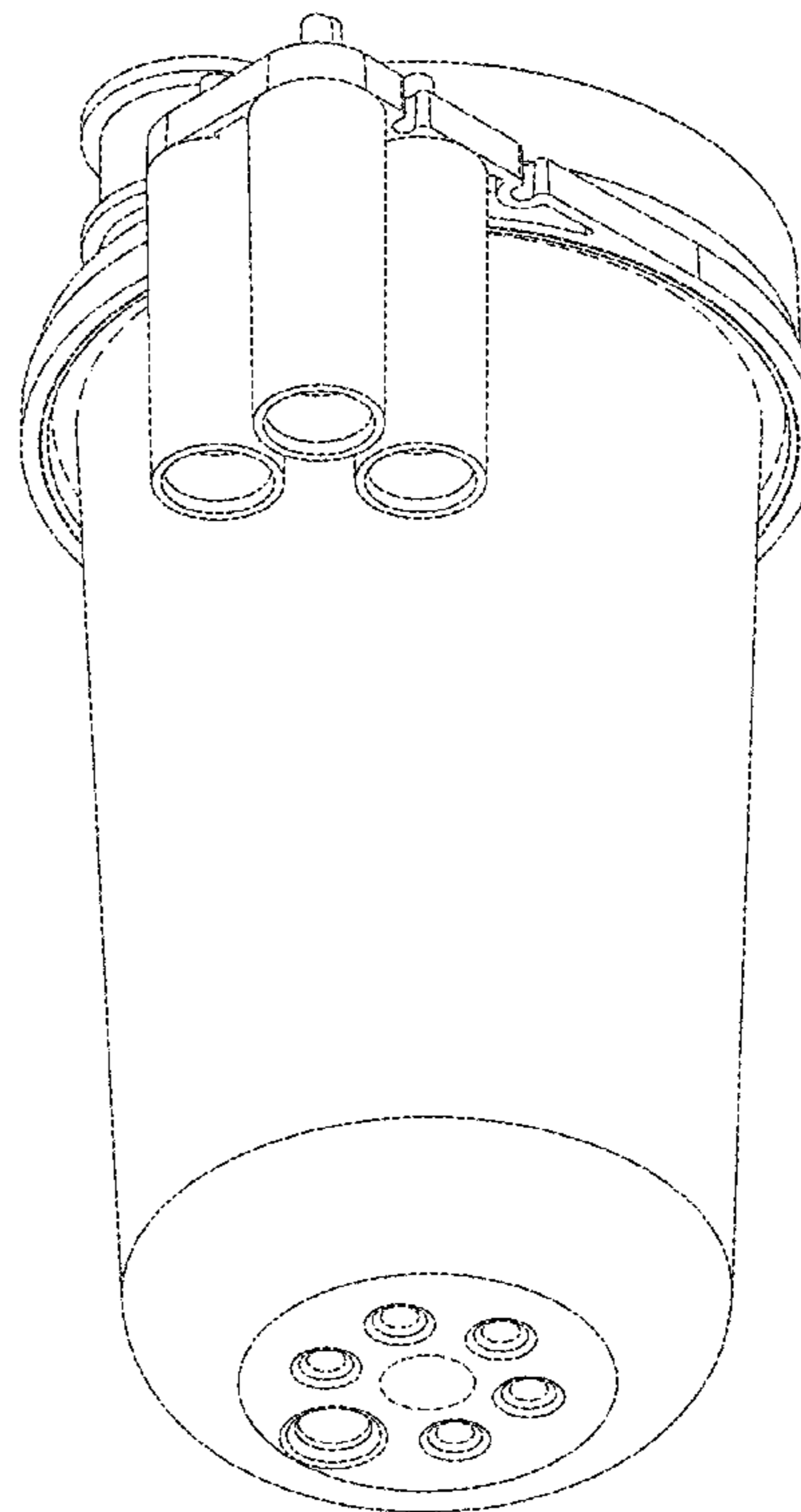
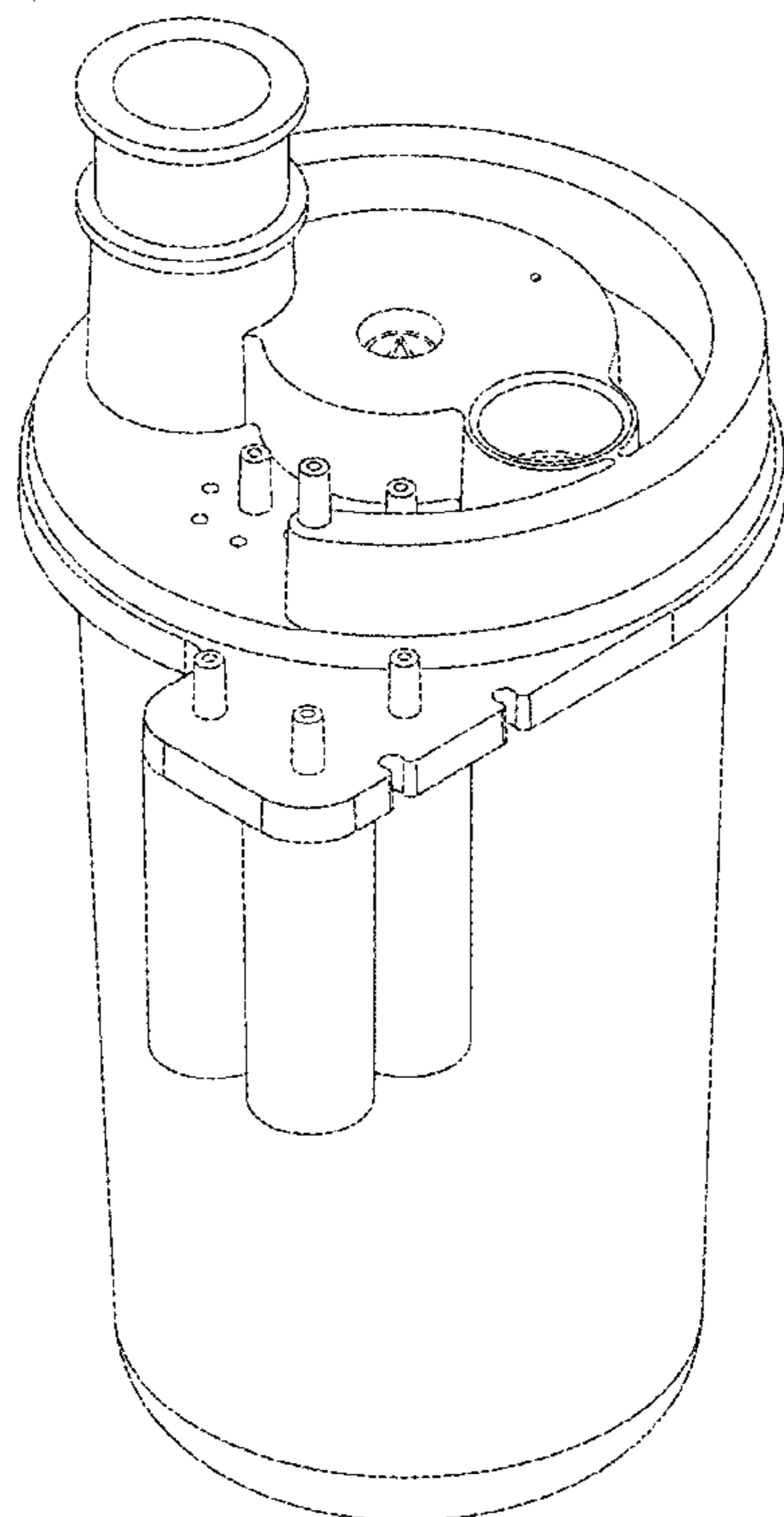
(57) **CLAIM**

The ornamental design for a bioreactor vessel, as shown and
described.

DESCRIPTION

FIG. 1 is a top perspective view of the bioreactor vessel;
FIG. 2 is a bottom perspective view of the bioreactor vessel;
FIG. 3 is a top plan view of the bioreactor vessel
FIG. 4 is a front elevational view of the bioreactor vessel;
FIG. 5 is a left side elevational view of the bioreactor vessel;
FIG. 6 is a right side elevational view of the bioreactor vessel;
and,
FIG. 7 is a bottom plan view of the bioreactor vessel.
The broken lines are included for the purpose of illustrating
portions of the bioreactor vessel that form no part of the
claimed design.

1 Claim, 7 Drawing Sheets



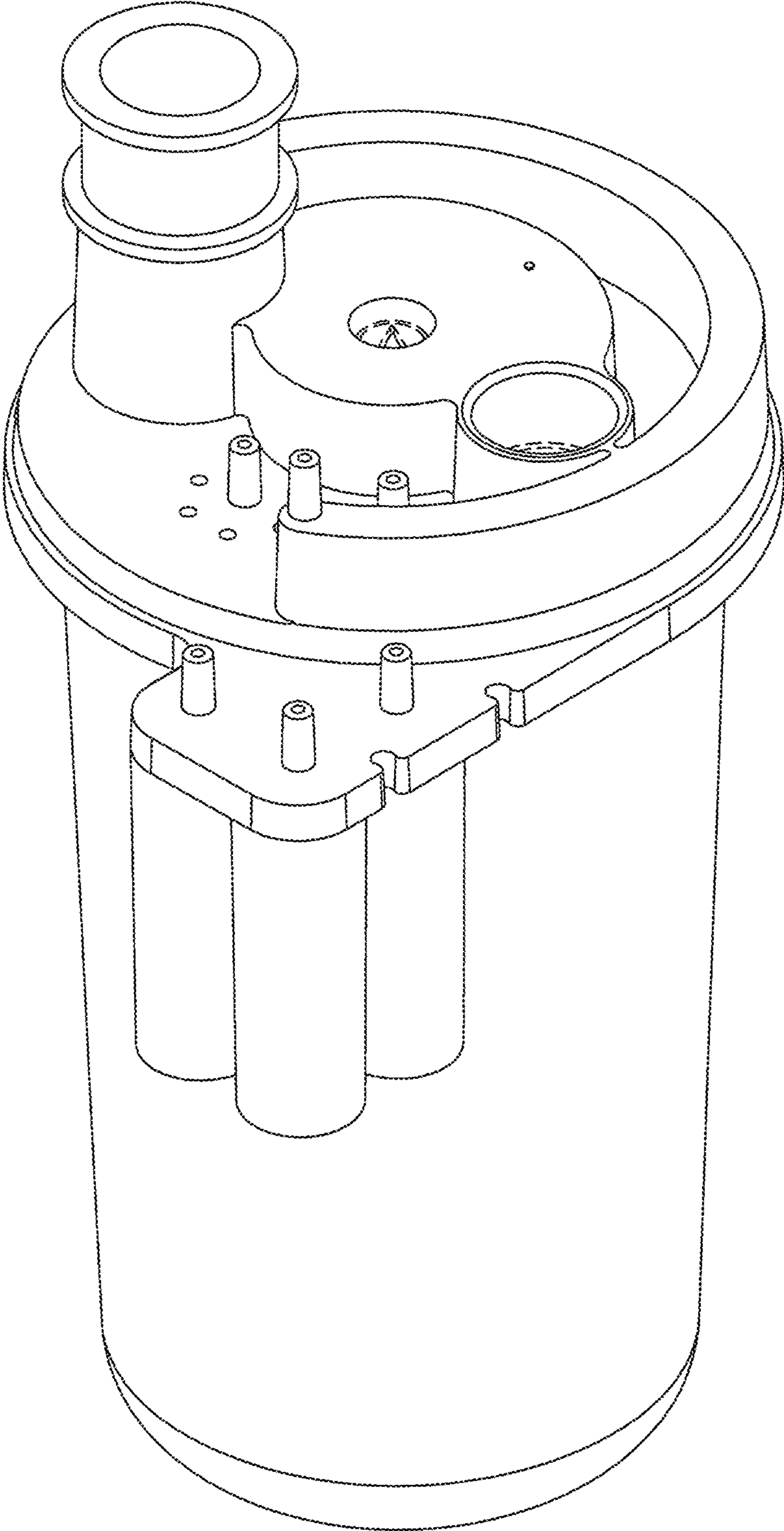


FIG. 1

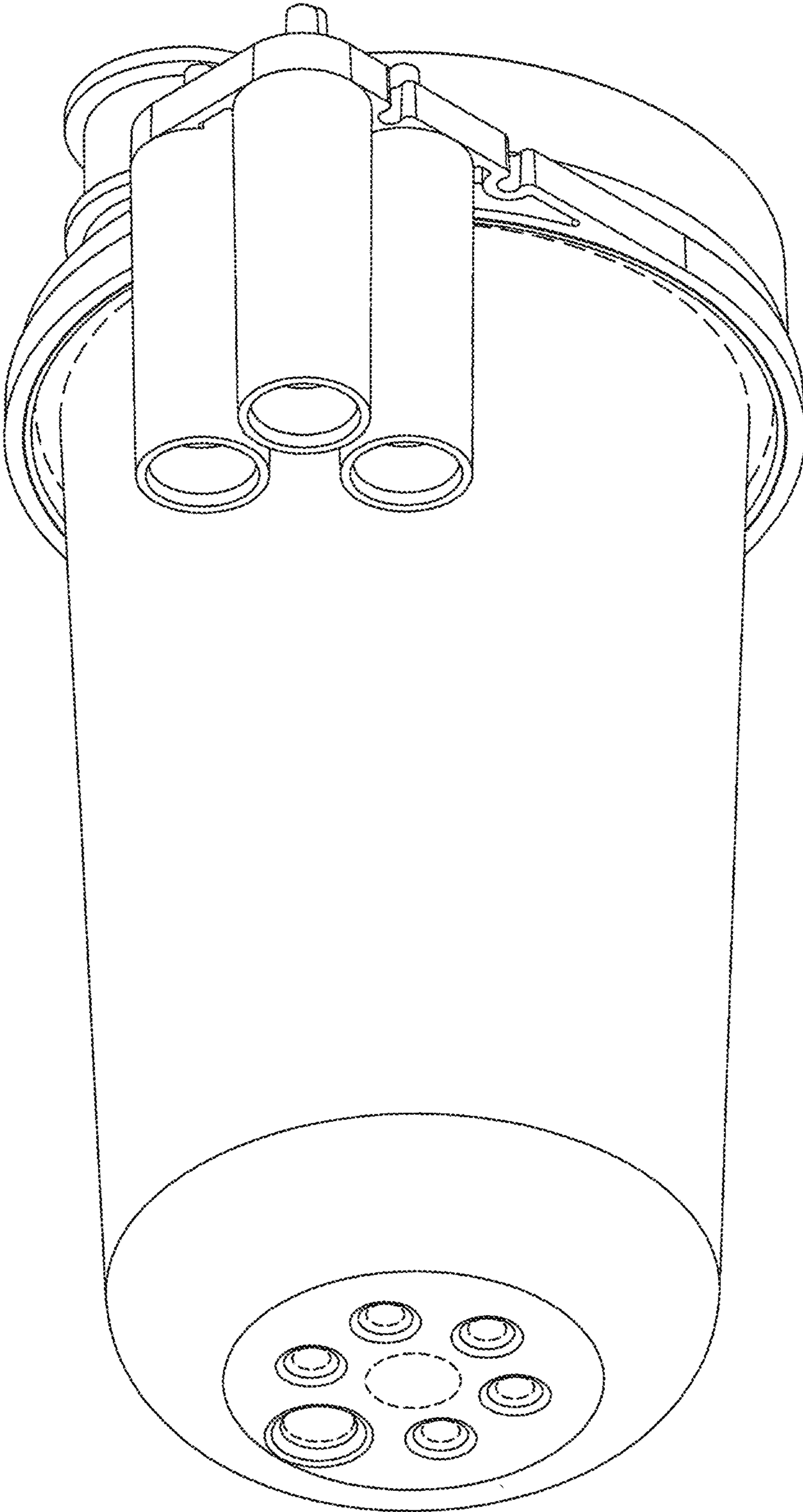


FIG. 2

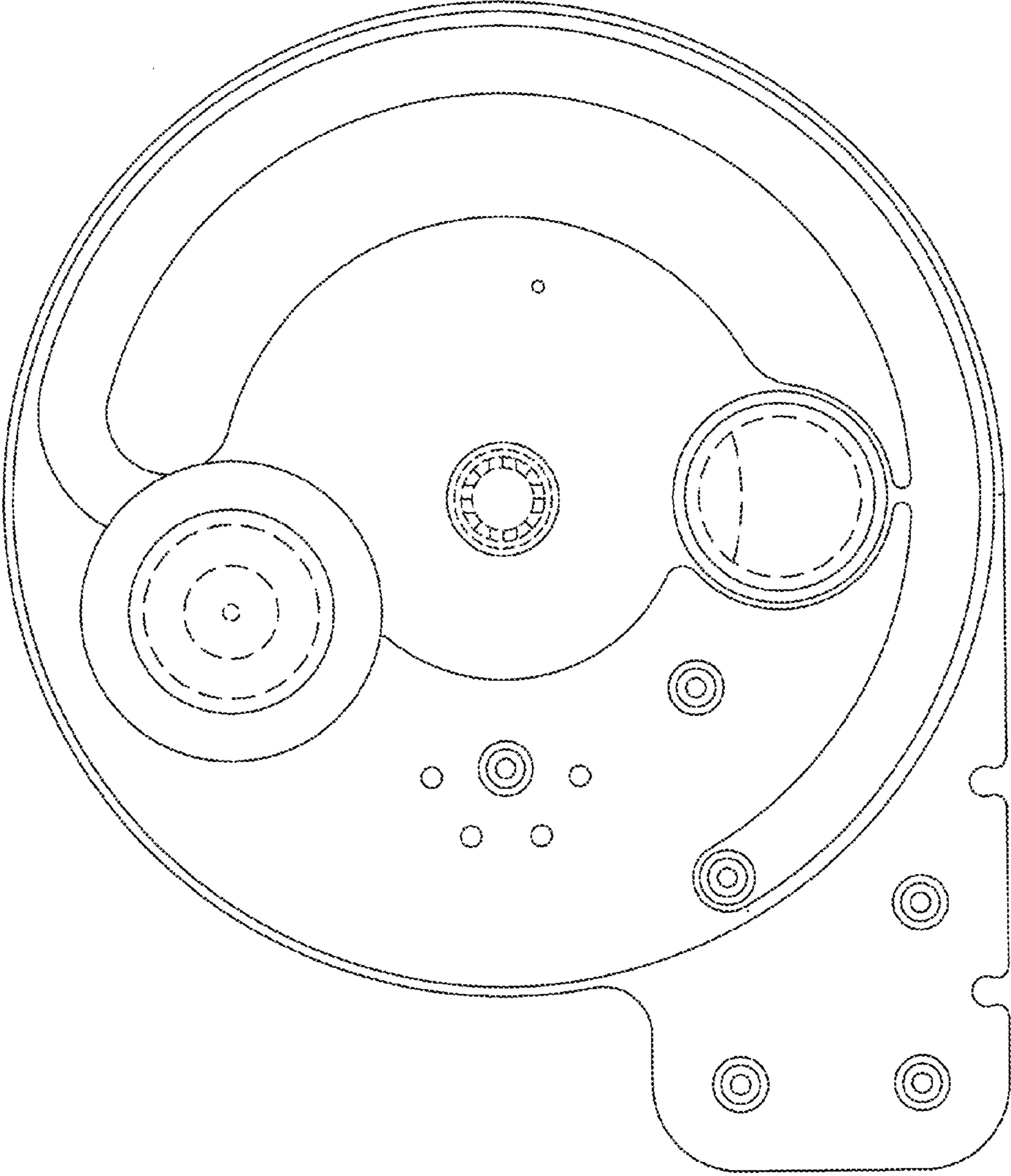


FIG. 3

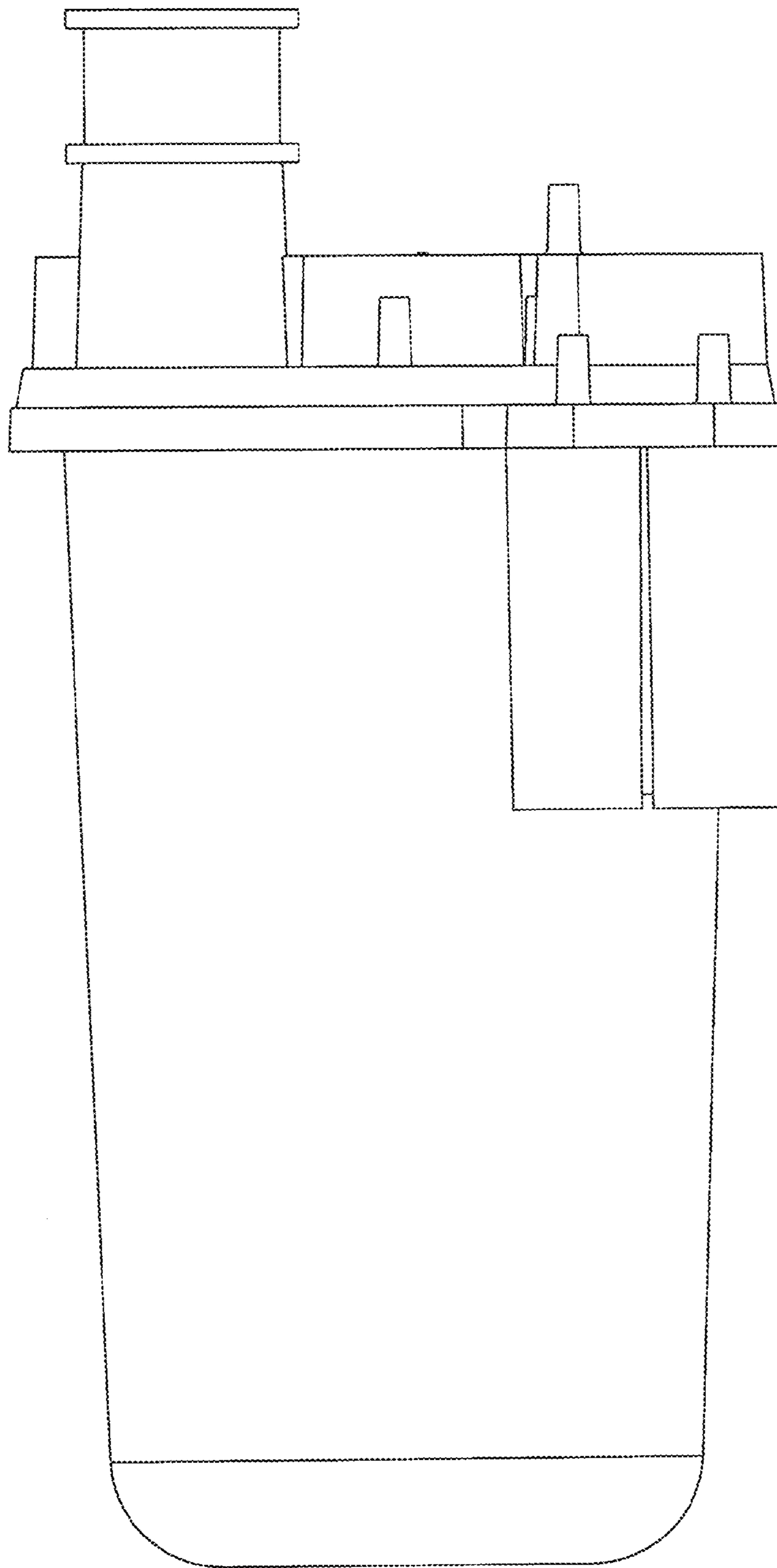


FIG. 4

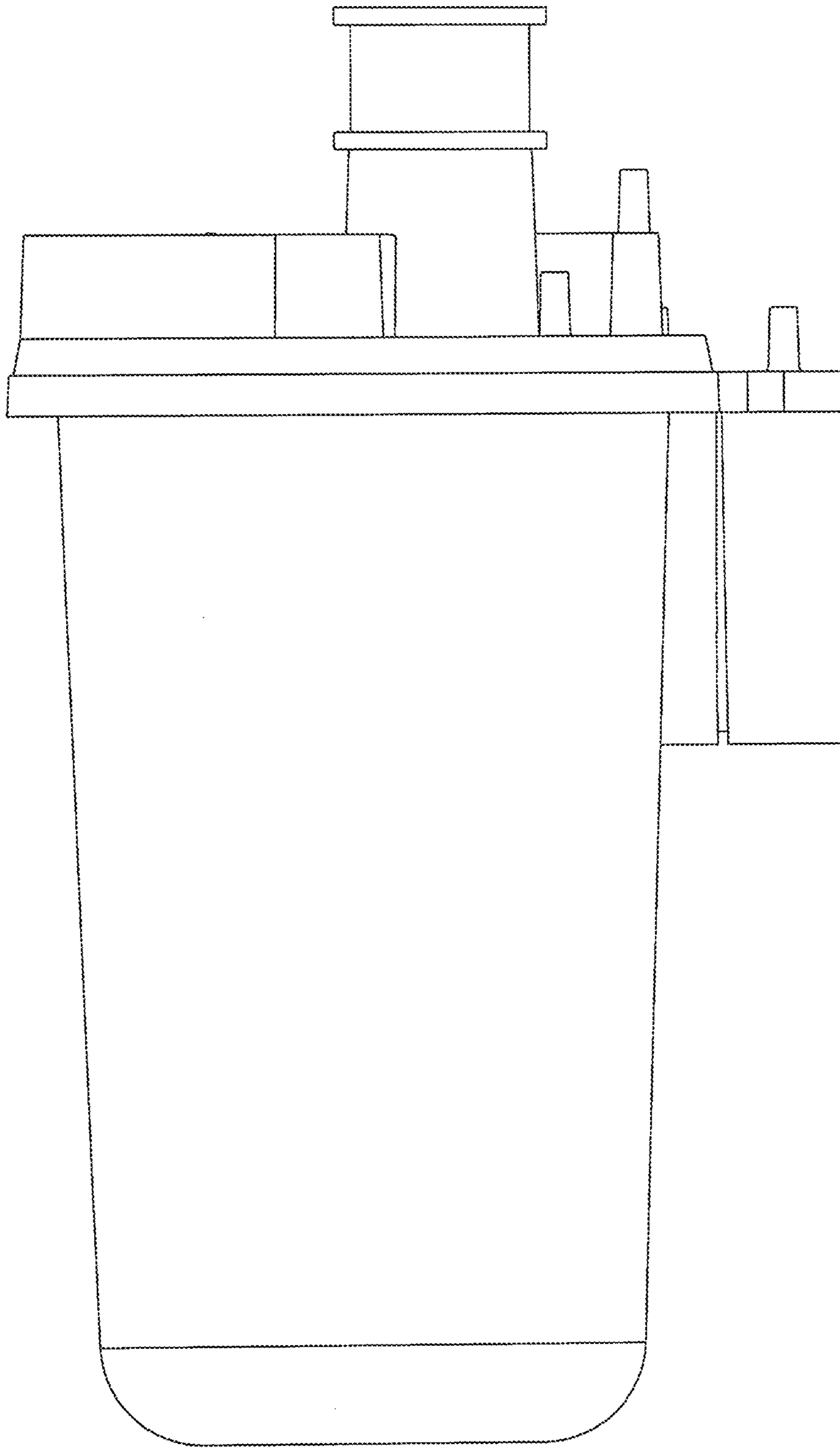


FIG. 5

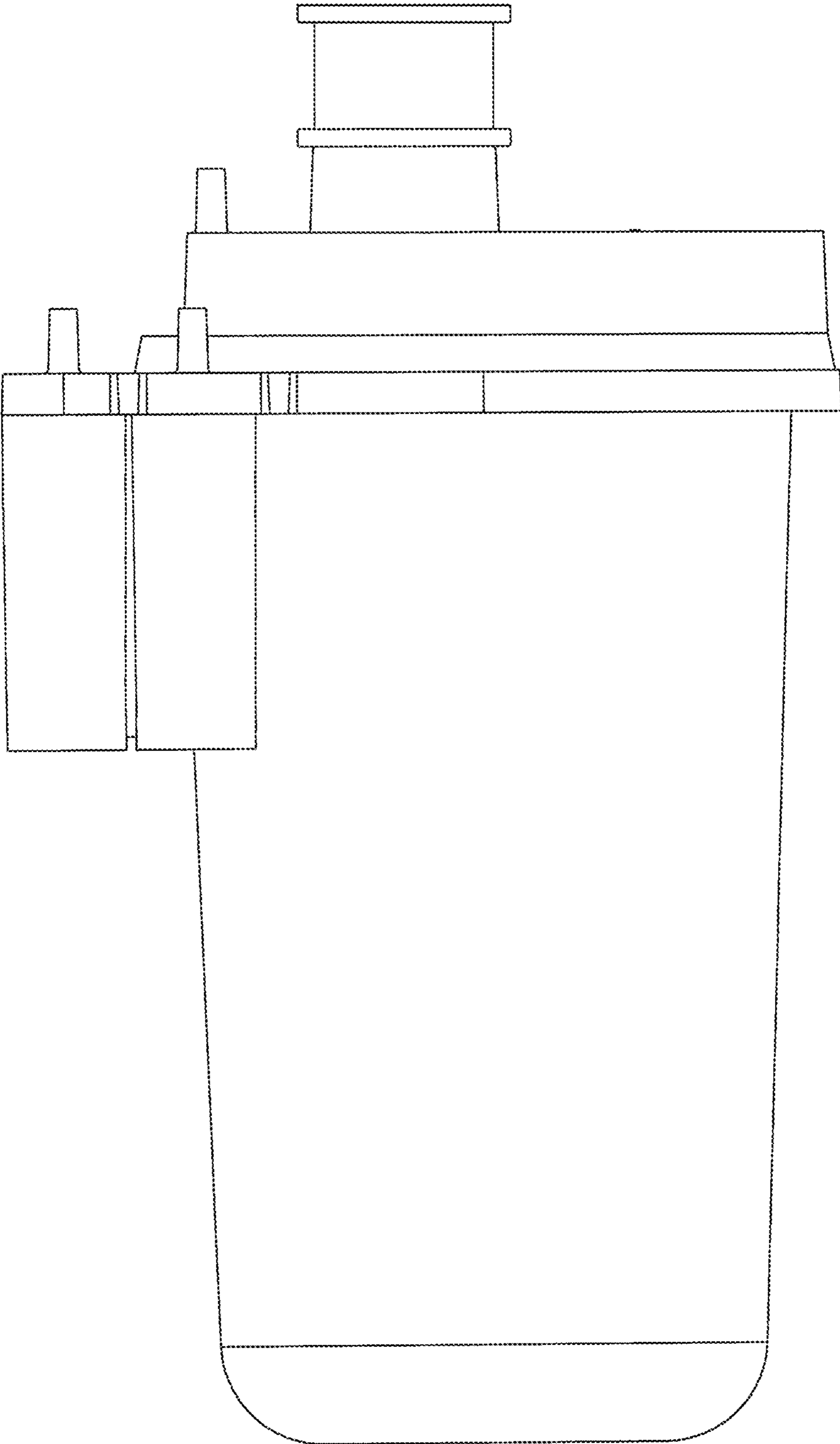


FIG. 6

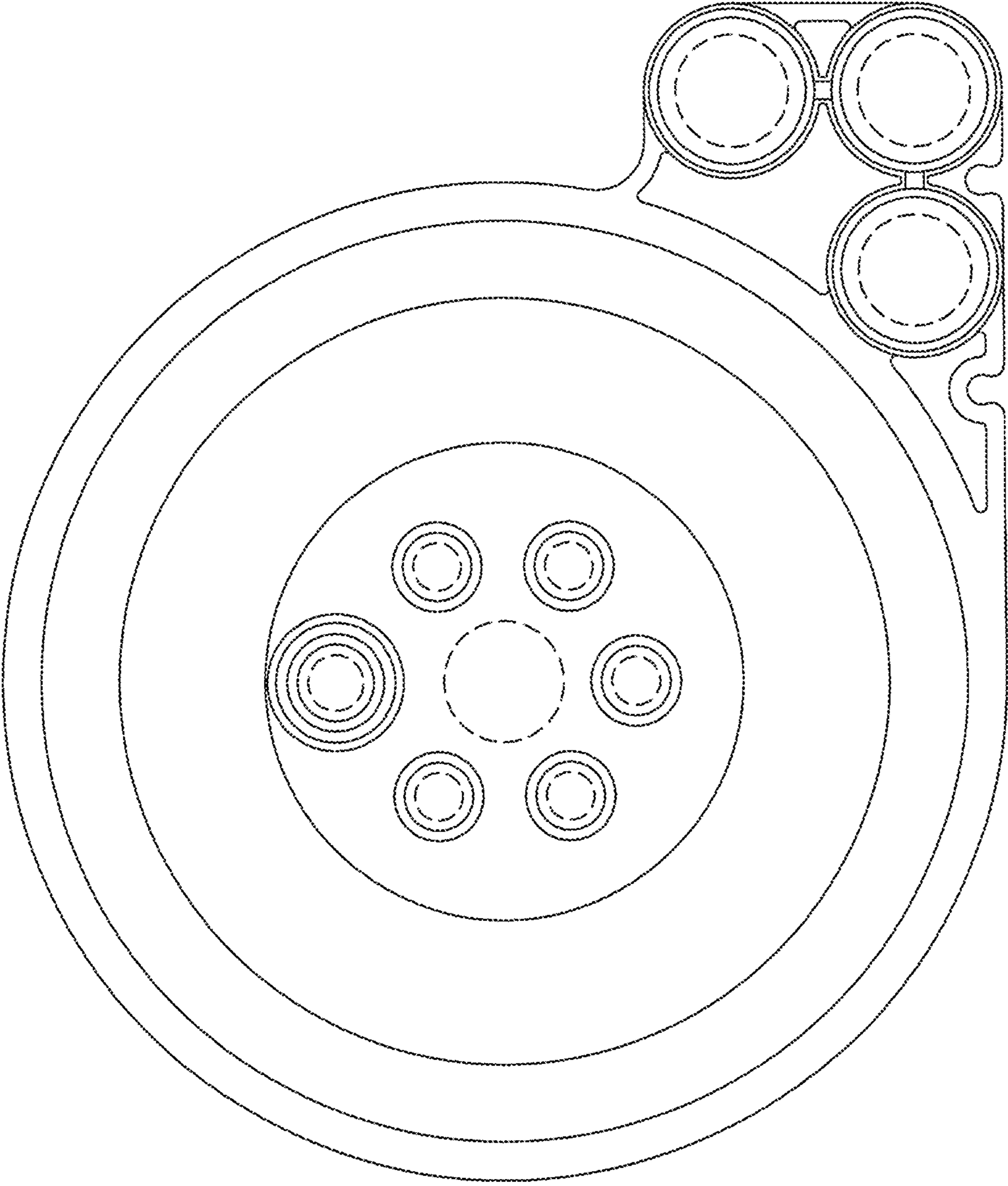


FIG. 7