



US00D735877S

(12) **United States Design Patent**
Chang

(10) **Patent No.:** **US D735,877 S**
(45) **Date of Patent:** **** Aug. 4, 2015**

(54) **CARTRIDGE FOR MEDICAL CHECK DEVICE**

(71) Applicants: **Kabushiki Kaisha Toshiba**, Minato-ku, Tokyo (JP); **Toshiba Medical Systems Corporation**, Otawara-shi, Tochigi-ken (JP)

(72) Inventor: **Shianwei Chang**, Kanagawa (JP)

(73) Assignees: **Kabushiki Kaisha Toshiba**, Minato-ku, Tokyo (JP); **Toshiba Medical Systems Corporation**, Otawara-shi, Tochigi-ken (JP)

(**) Term: **14 Years**

(21) Appl. No.: **29/513,356**

(22) Filed: **Dec. 30, 2014**

(30) **Foreign Application Priority Data**

Jun. 30, 2014 (JP) 2014-014218

(51) **LOC (10) Cl.** **24-01**

(52) **U.S. Cl.**
USPC **D24/216**; D24/225

(58) **Field of Classification Search**
USPC D24/216, 223–225, 231, 232, 186, 107, D24/108, 121; D10/81; 422/503, 551, 554; 435/287.2, 287.3, 288.3, 288.4, 288.5; 436/808, 809
CPC B01L 3/5027; B01L 3/502707
See application file for complete search history.

(56) **References Cited**

U.S. PATENT DOCUMENTS

D299,860 S * 2/1989 Fan et al. D24/225
D421,498 S * 3/2000 Livingston D24/224
D438,633 S * 3/2001 Miller D24/216
D448,487 S * 9/2001 Saez et al. D24/216

D668,350 S * 10/2012 Rowley D24/225
D686,311 S * 7/2013 Mori D24/216
D700,354 S * 2/2014 Plougsgaard et al. D24/224
2002/0031842 A1 * 3/2002 Smethers et al. 436/518
2003/0180815 A1 * 9/2003 Rawson et al. 435/7.9
2010/0180980 A1 * 7/2010 Lee et al. 141/1

FOREIGN PATENT DOCUMENTS

JP 1200246 3/2004
JP 1210560 6/2004

(Continued)

Primary Examiner — Anhdao Doan

(74) *Attorney, Agent, or Firm* — Banner & Witcoff, Ltd.

(57) **CLAIM**

The ornamental design for a cartridge for medical check device, as shown and described.

DESCRIPTION

FIG. 1 is a front, top and left side perspective view of a cartridge for medical check device, showing my new design; FIG. 2 is a rear, bottom and right side perspective view thereof;

FIG. 3 is a front view thereof;

FIG. 4 is a left side view thereof;

FIG. 5 is a right side view thereof;

FIG. 6 is a top view thereof;

FIG. 7 is a rear view thereof;

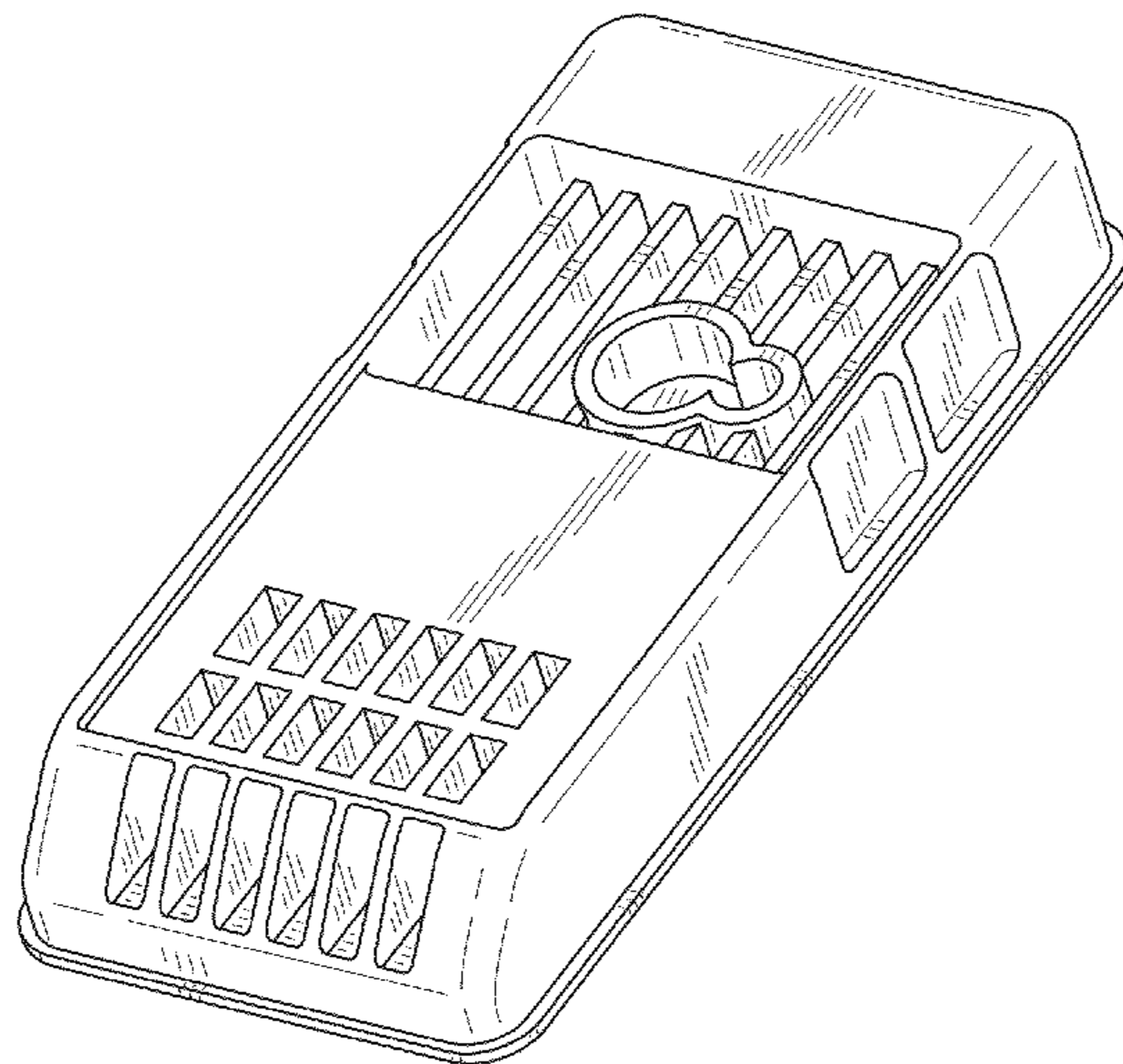
FIG. 8 is a bottom view thereof;

FIG. 9 is an enlarged cross sectional view thereof, taken along the line 9-9 in FIG. 6; and,

FIG. 10 is an enlarged cross sectional view thereof, taken along the line 9-9 in FIG. 6.

The uneven broken lines in FIG. 6 are included to indicate the cutting plane of FIG. 9. The broken lines in FIGS. 9 and 10 are included for the purpose of illustrating portions of the cartridge for medical check device that form no part of the claimed design.

1 Claim, 4 Drawing Sheets



(56)

References Cited

* cited by examiner

FOREIGN PATENT DOCUMENTS

JP	1345912	12/2008
KR	30-0591222	3/2011

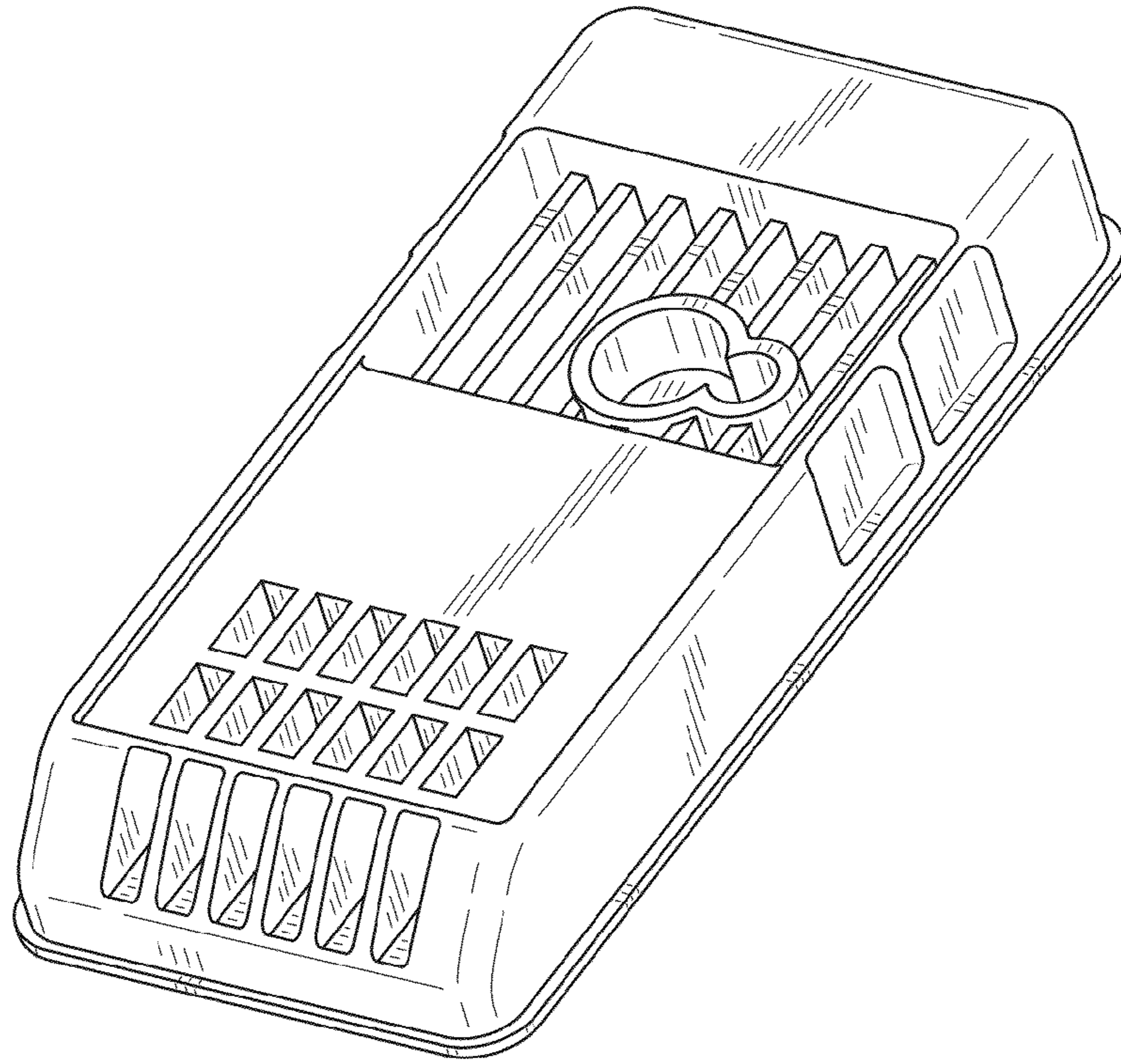


Fig. 1

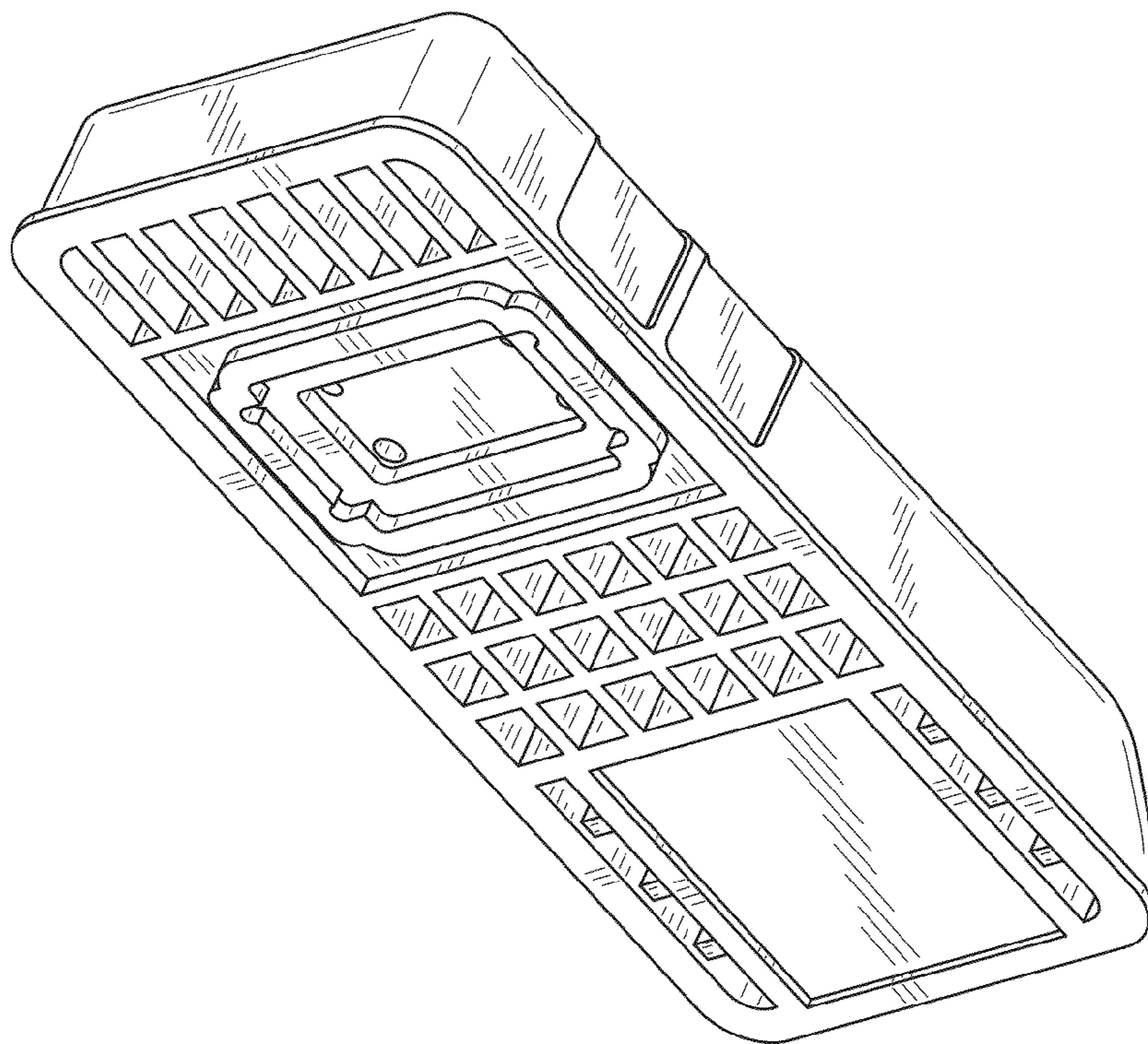


Fig. 2

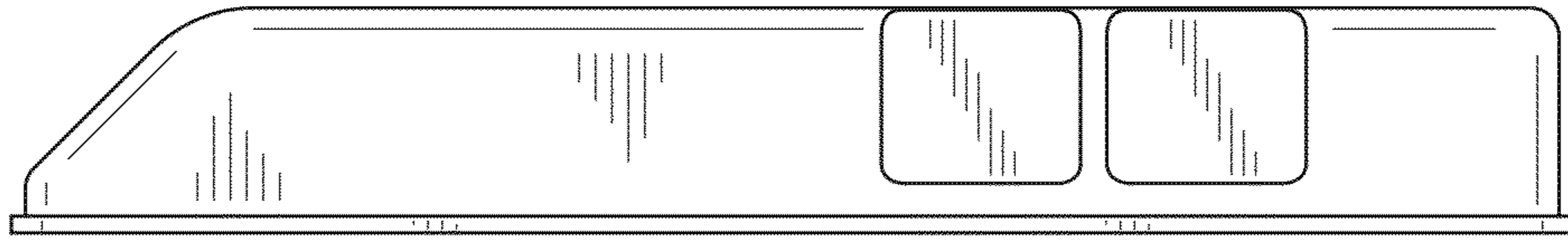


Fig. 3

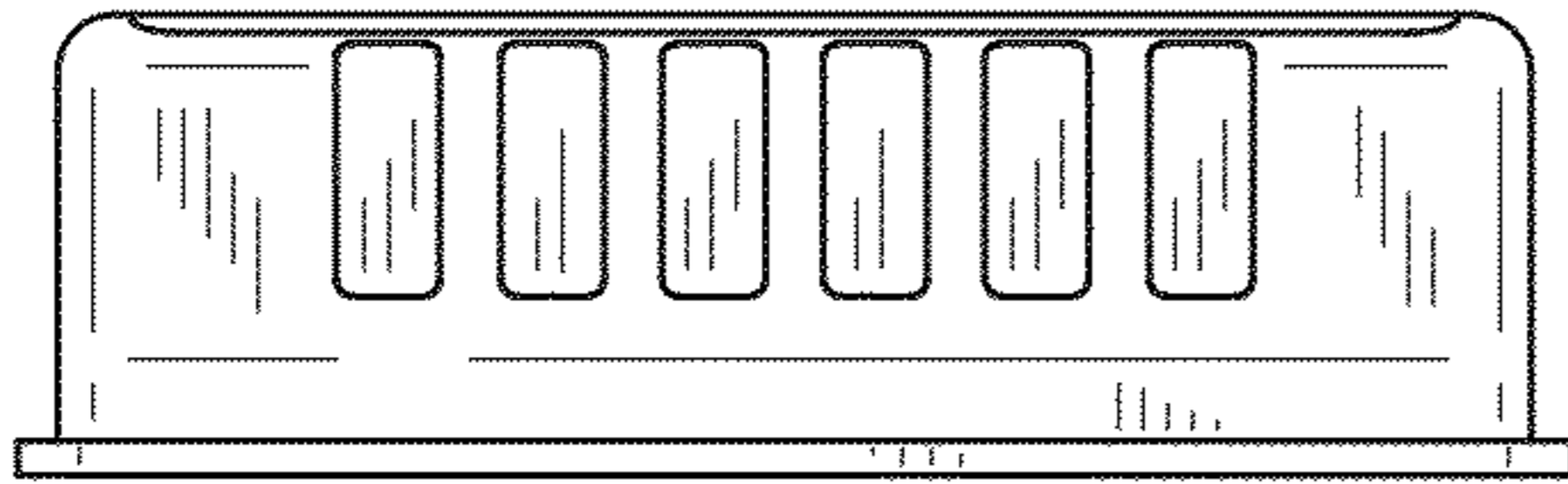


Fig. 4

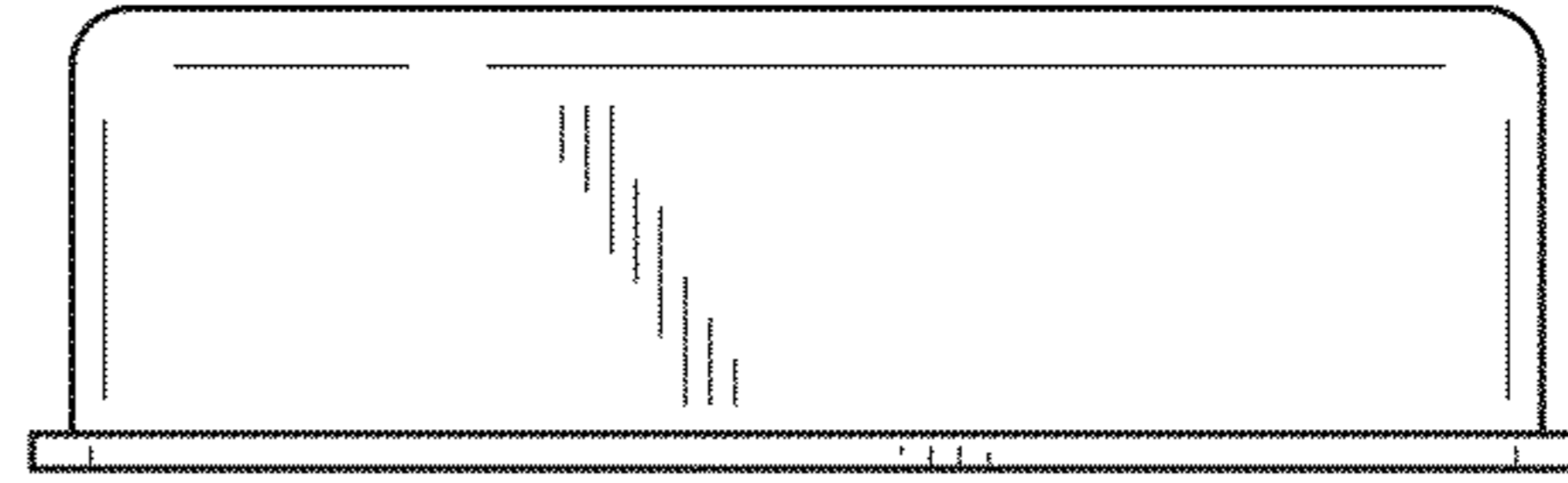


Fig. 5

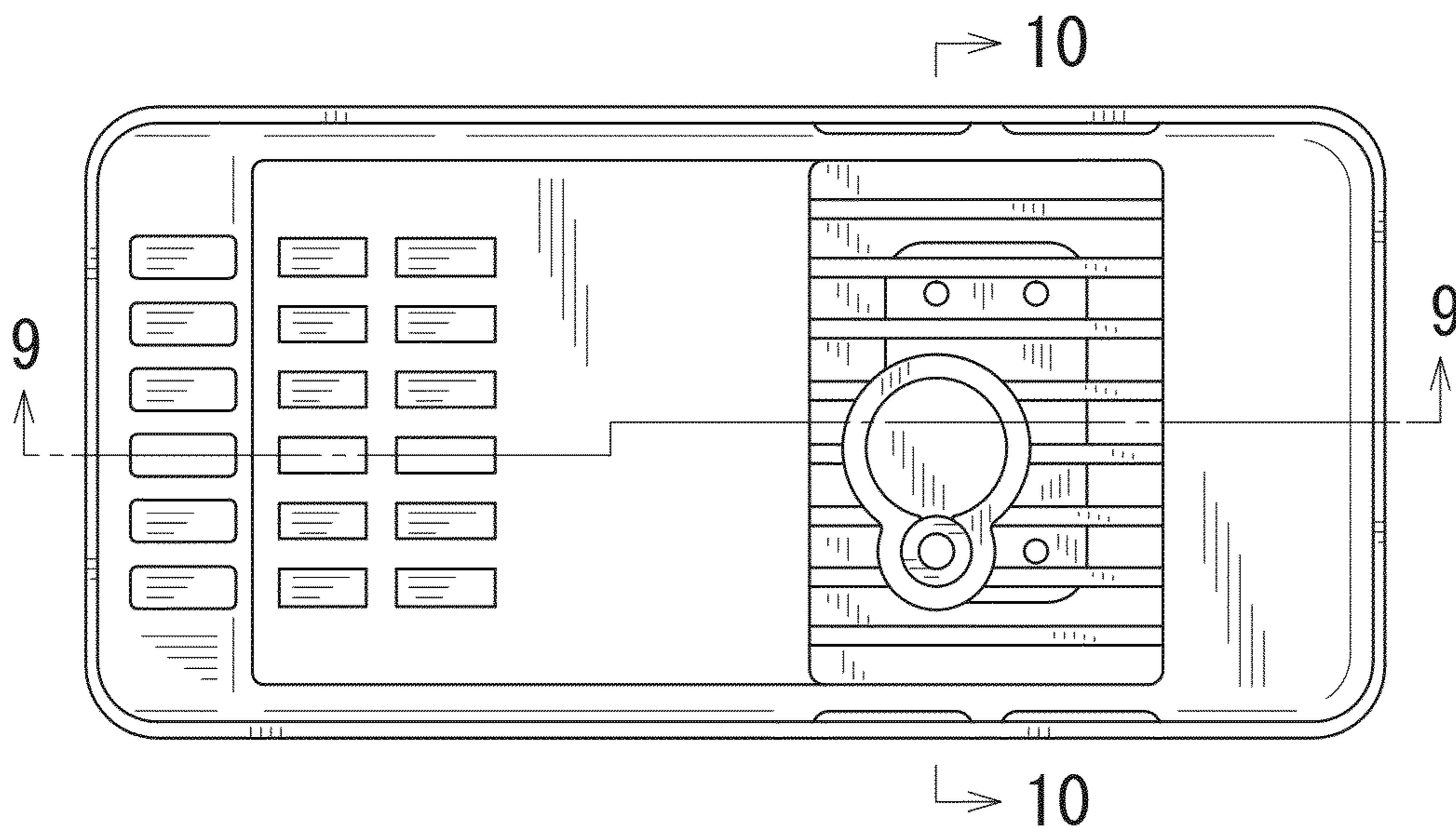


Fig. 6

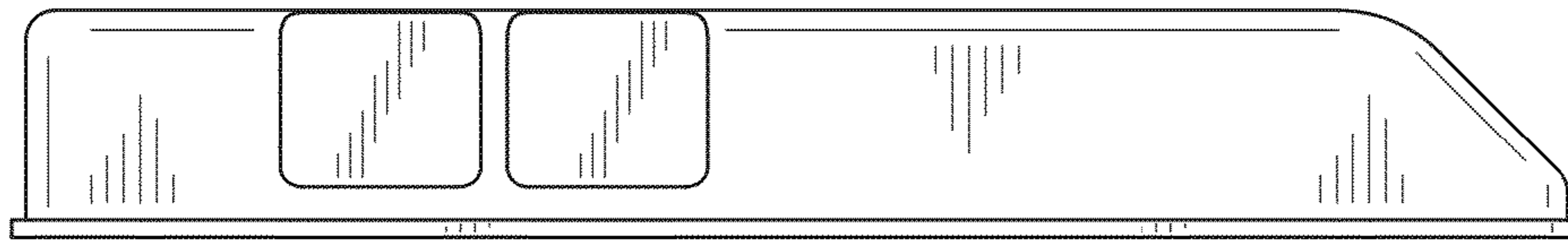


Fig. 7

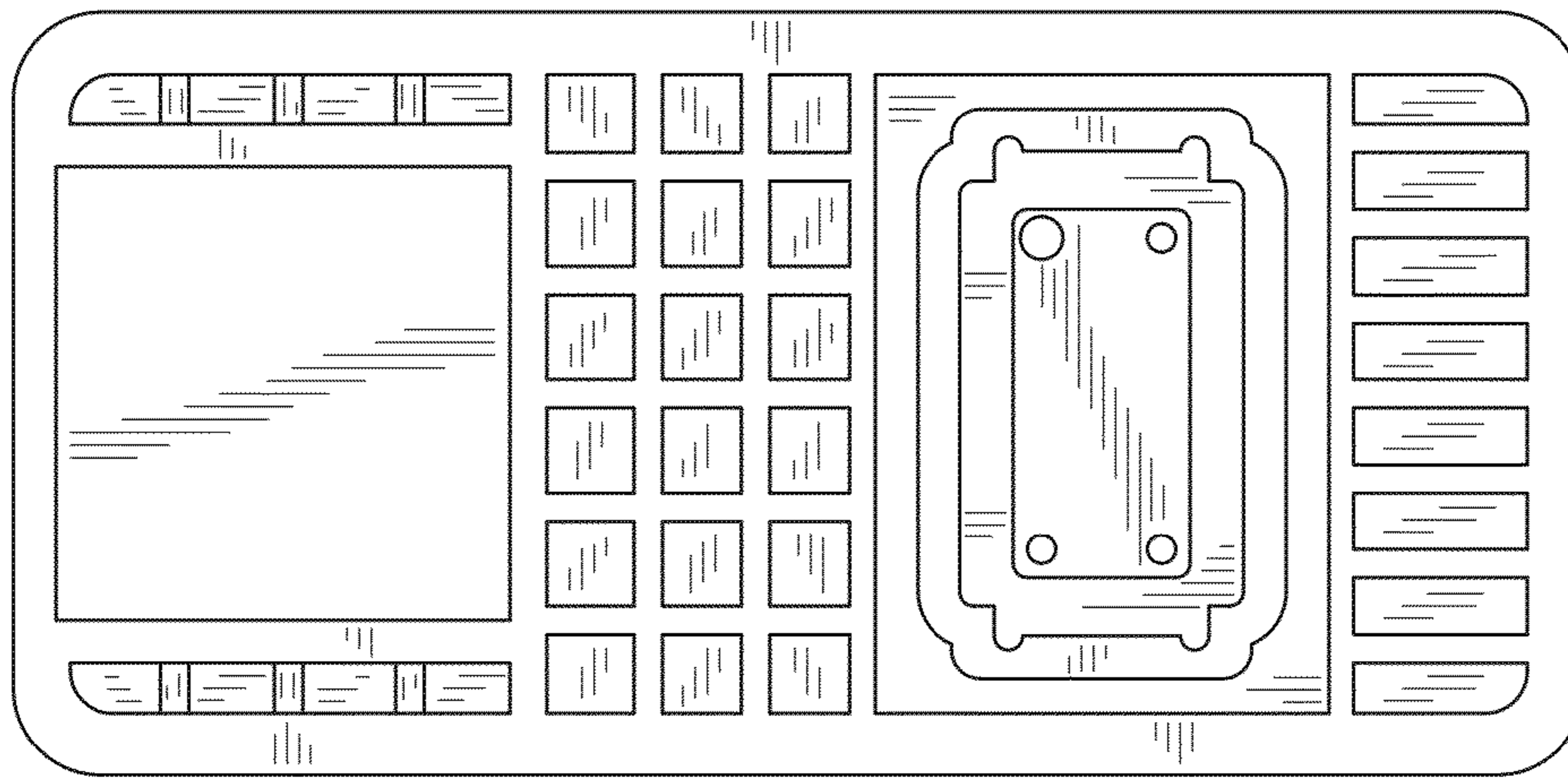


Fig. 8

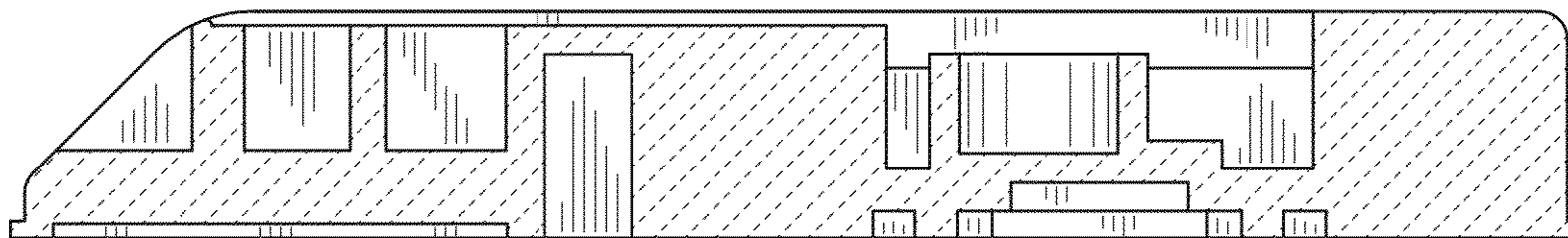


Fig. 9

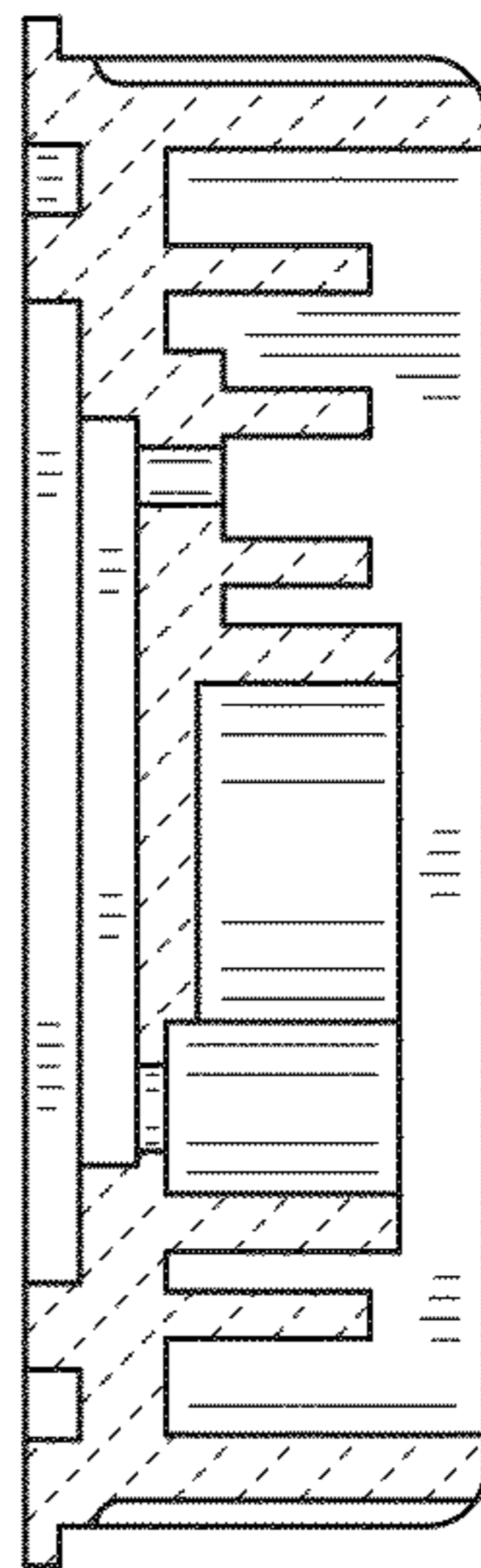


Fig. 10