



US00D735874S

(12) **United States Design Patent**
McClellan et al.

(10) **Patent No.:** **US D735,874 S**
(45) **Date of Patent:** **** Aug. 4, 2015**

(54) **FLUID APPLICATION APPARATUS**

(71) Applicant: **SNAPPYSCREEN, INC.**, Locust Valley, NY (US)

(72) Inventors: **Kristen McClellan**, Locust Valley, NY (US); **Erkan Riza**, Sarasota, FL (US); **Aslan Leo Riza**, Sarasota, FL (US)

(73) Assignee: **SNAPPYSCREEN, INC.**, Locust Valley, NY (US)

(**) Term: **14 Years**

(21) Appl. No.: **29/487,968**

(22) Filed: **Apr. 14, 2014**

(51) **LOC (10) Cl.** **28-03**

(52) **U.S. Cl.**
USPC **D24/209**

(58) **Field of Classification Search**
USPC D24/158, 200, 209, 210, 231, 108, 232;
606/9, 33; 607/88-94; D25/106;
239/207, 208; 604/289, 290; 4/596,
4/615

See application file for complete search history.

(56) **References Cited**

U.S. PATENT DOCUMENTS

D248,163 S * 6/1978 Roberts D24/200
D296,131 S * 6/1988 James D24/210

D363,992 S * 11/1995 Vos D24/210
6,554,208 B1 * 4/2003 Venuto, Sr. 239/207
D492,790 S * 7/2004 Tebo D24/210
7,569,037 B1 * 8/2009 Spivak 604/289
D618,360 S * 6/2010 Mac D24/209
D676,564 S * 2/2013 Kawecki D24/209
D711,544 S * 8/2014 Soltesz-Nagy D24/210
2007/0107121 A1 * 5/2007 Smith et al. 4/615

* cited by examiner

Primary Examiner — Anhdao Doan

(74) *Attorney, Agent, or Firm* — Scully, Scott, Murphy & Presser, P.C.

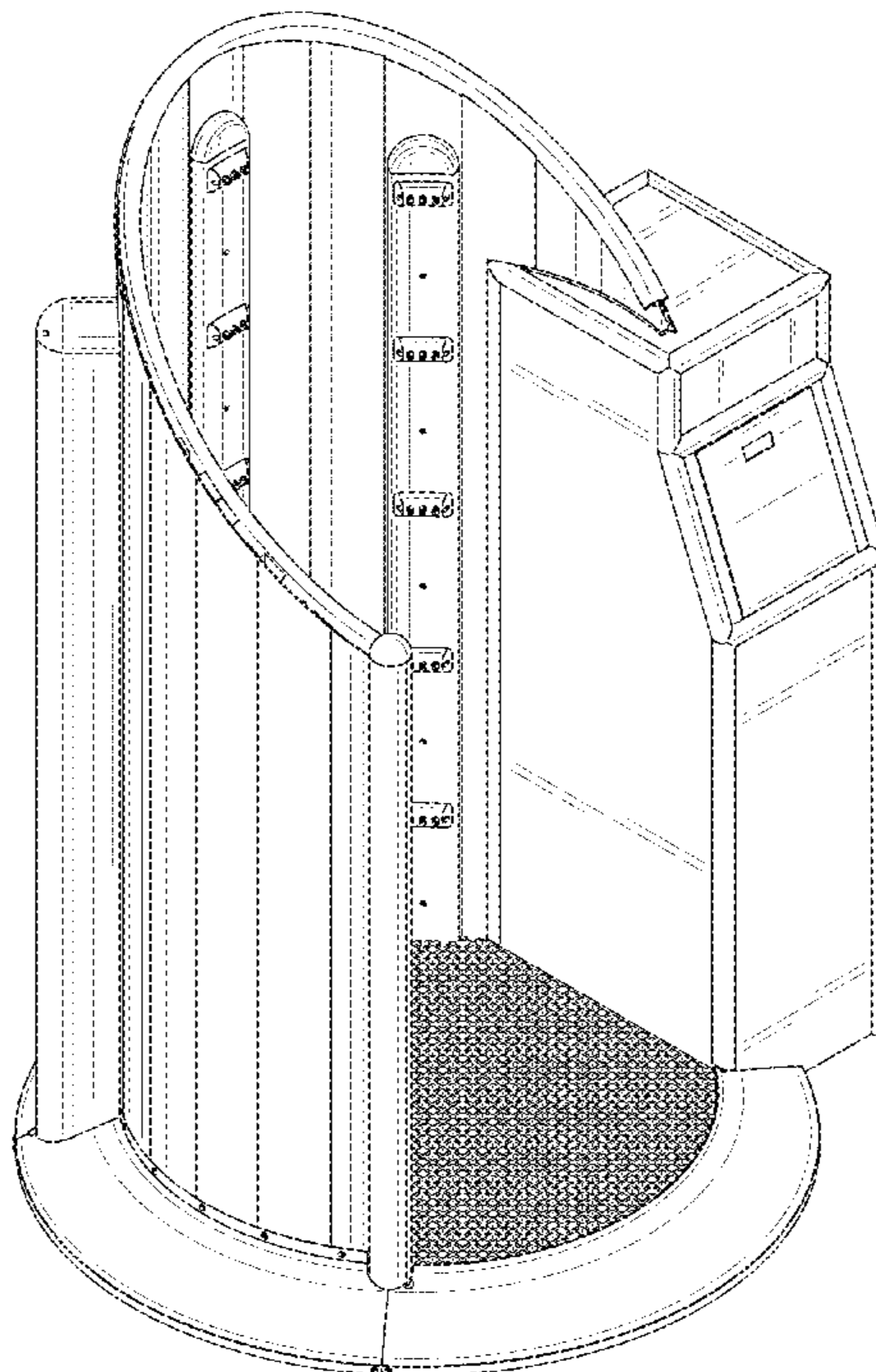
(57) **CLAIM**

The ornamental design for a fluid application apparatus, as shown.

DESCRIPTION

FIG. 1 is a perspective view of a fluid application apparatus showing our new design;
FIG. 2 is another perspective view of the fluid application apparatus;
FIG. 3 is still another perspective view of the fluid application apparatus;
FIG. 4 is yet another perspective view of the fluid application apparatus;
FIG. 5 is a front view of FIG. 1;
FIG. 6 is a rear view of FIG. 1;
FIG. 7 is a side view of FIG. 1;
FIG. 8 is an opposite side view of FIG. 1; and,
FIG. 9 is a top view of FIG. 1.

1 Claim, 9 Drawing Sheets



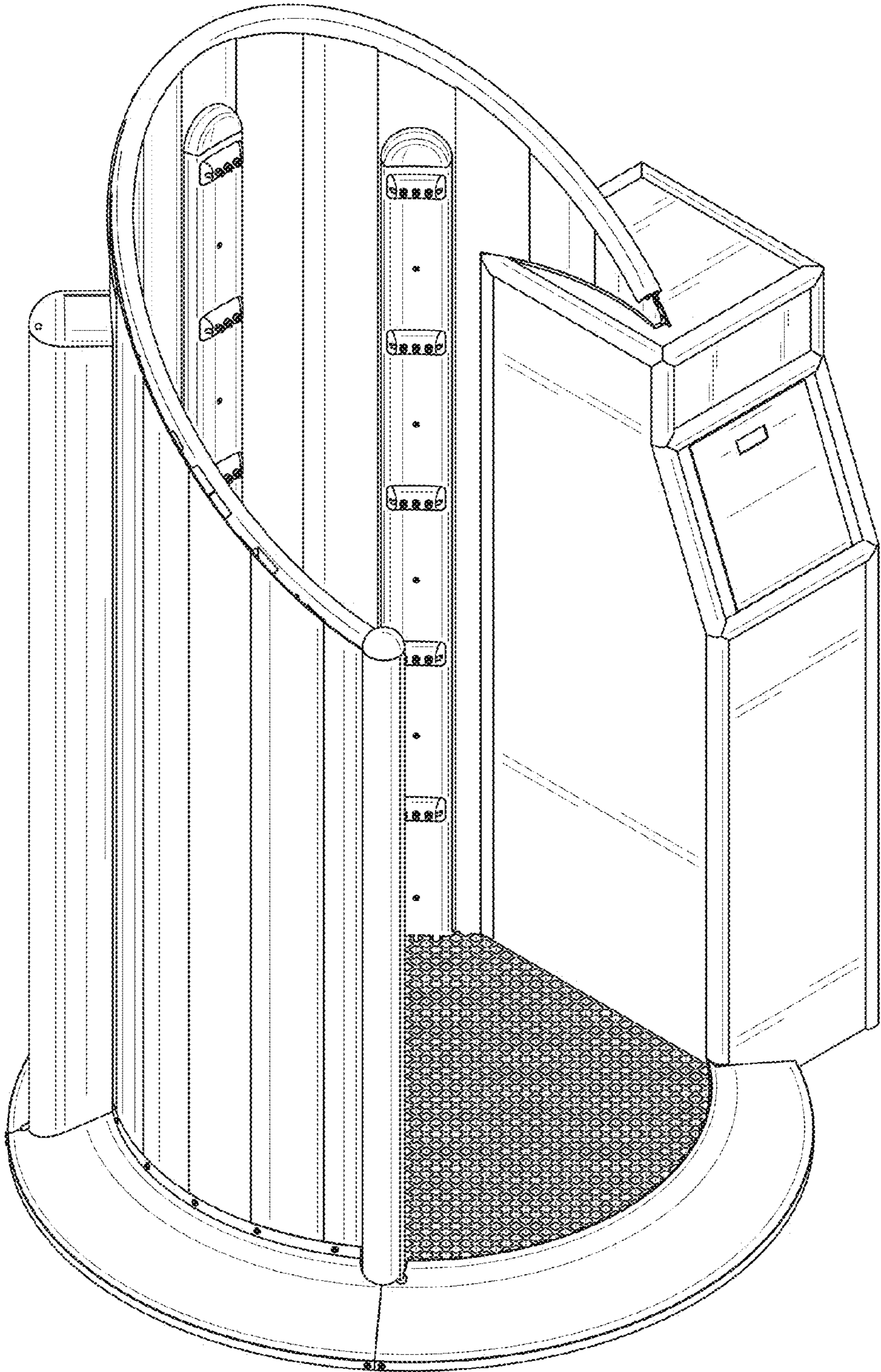


FIG. 1

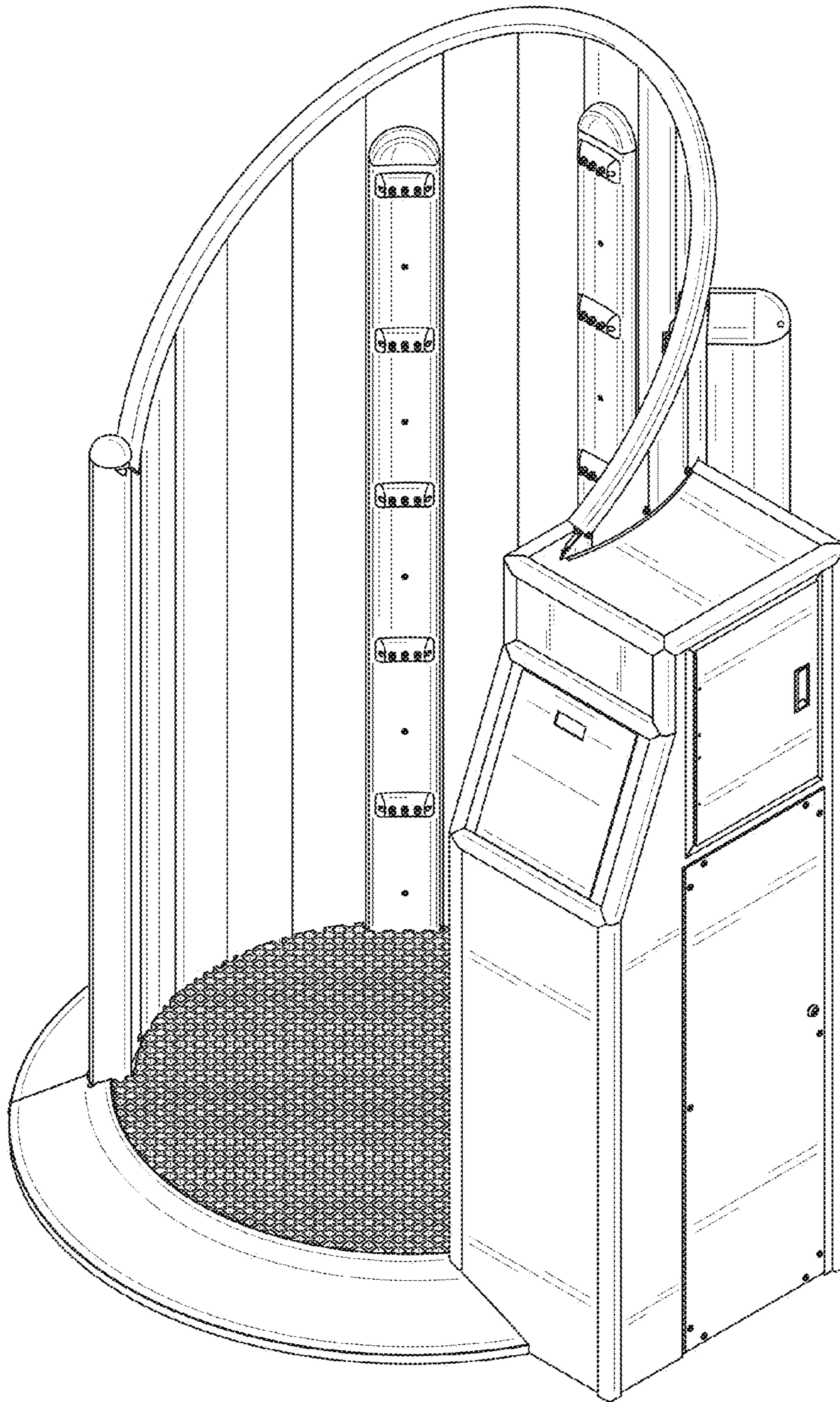


FIG. 2

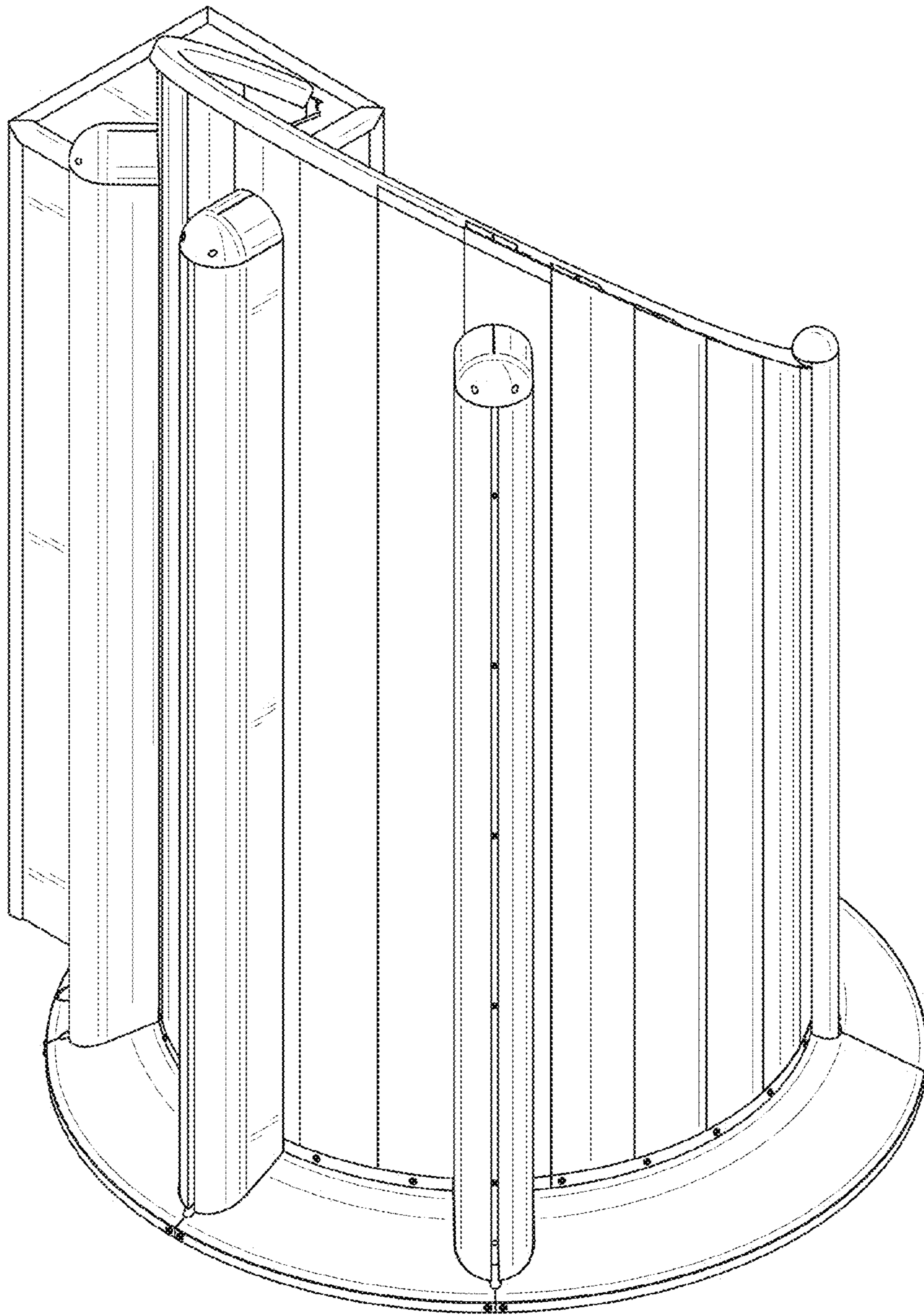


FIG. 3

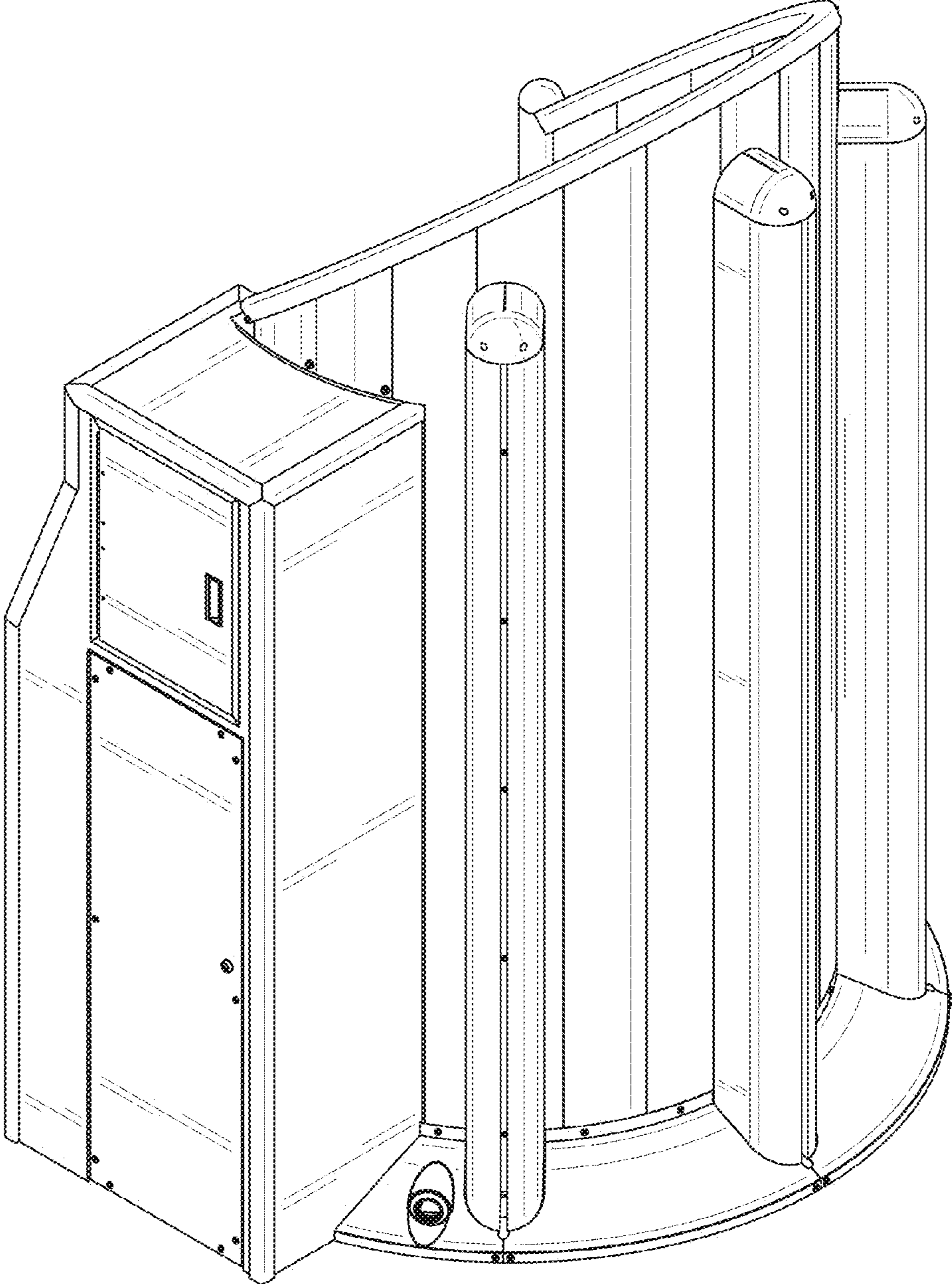


FIG. 4

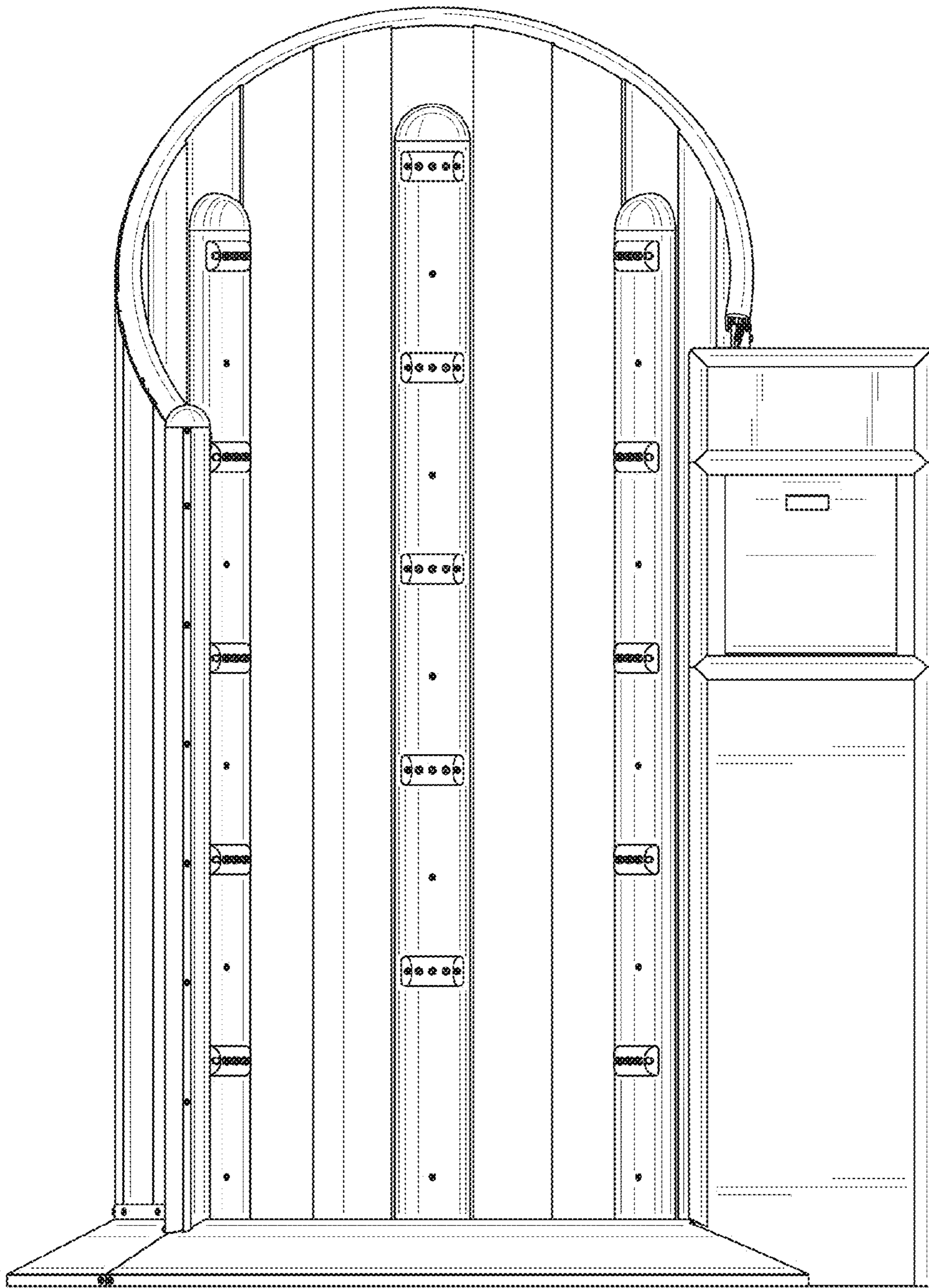


FIG. 5

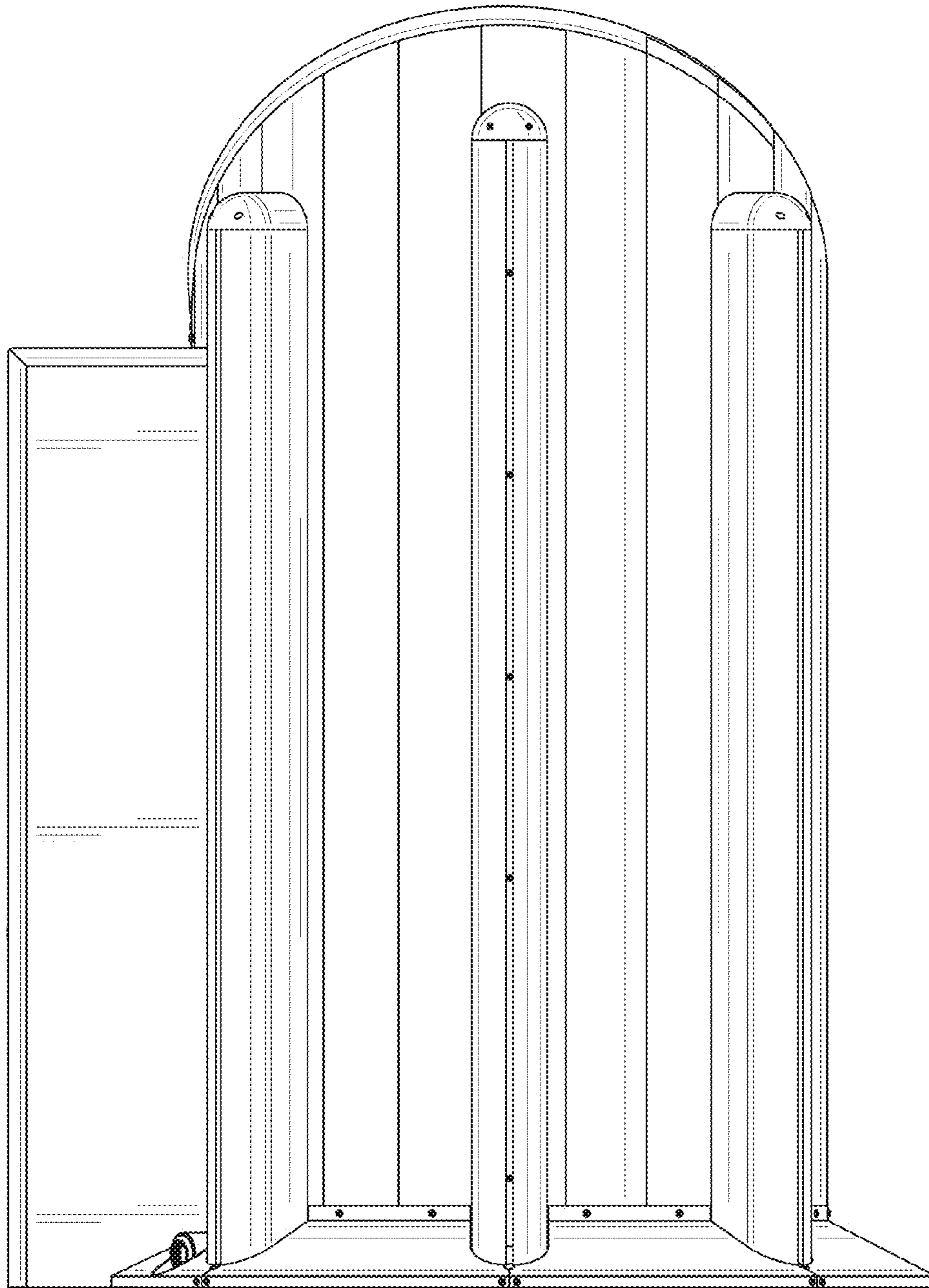


FIG. 6

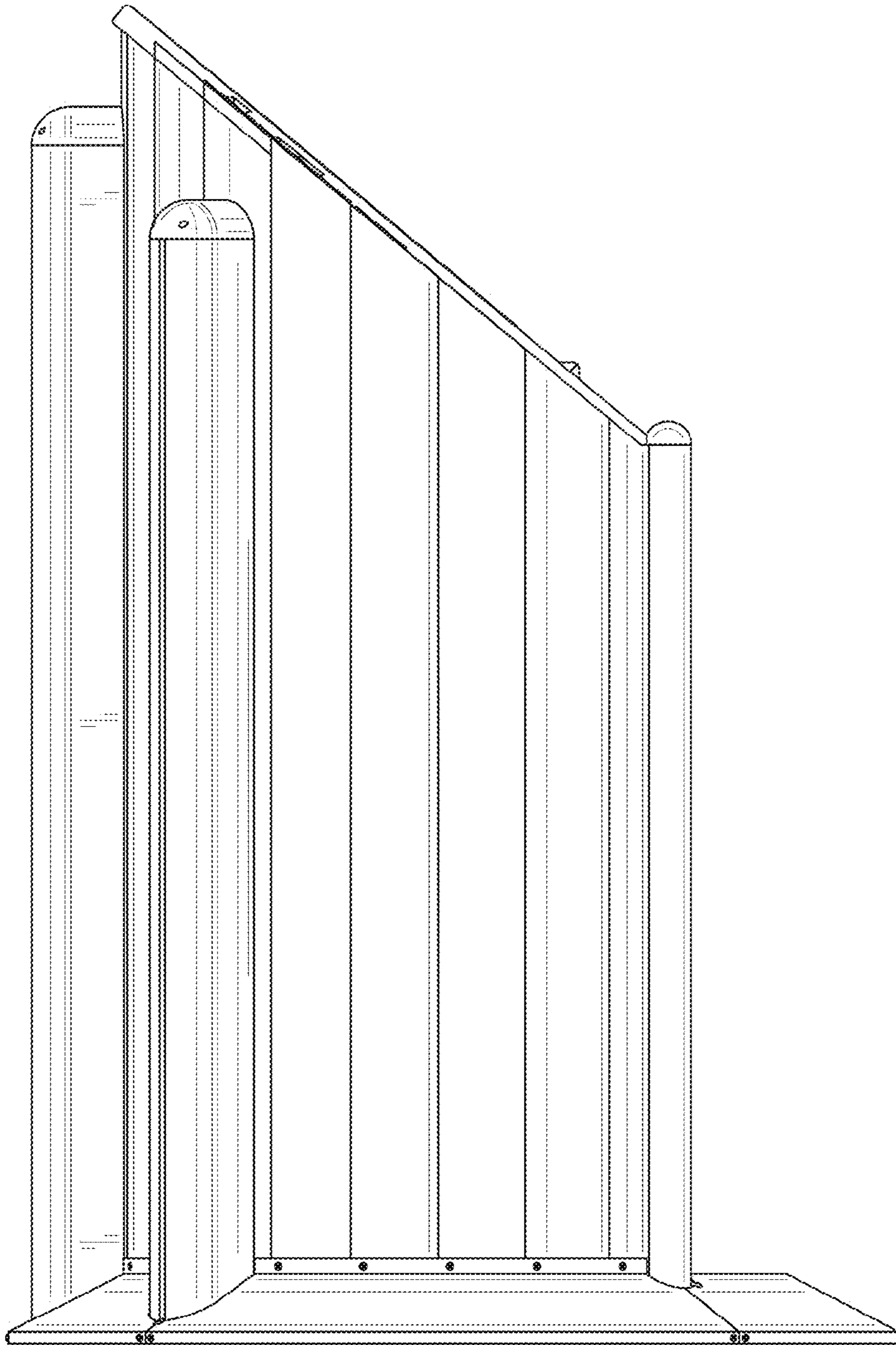


FIG. 7

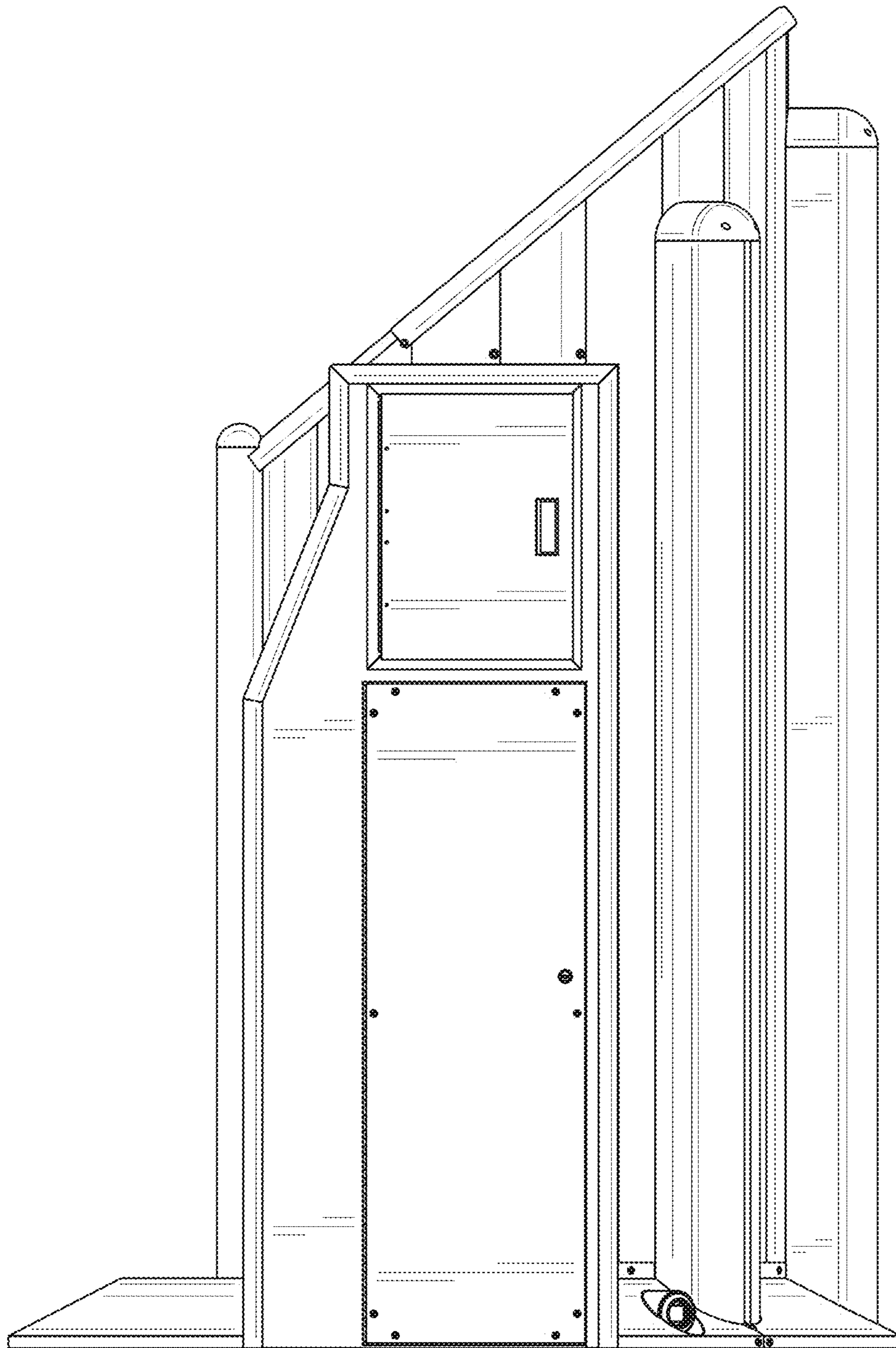


FIG. 8

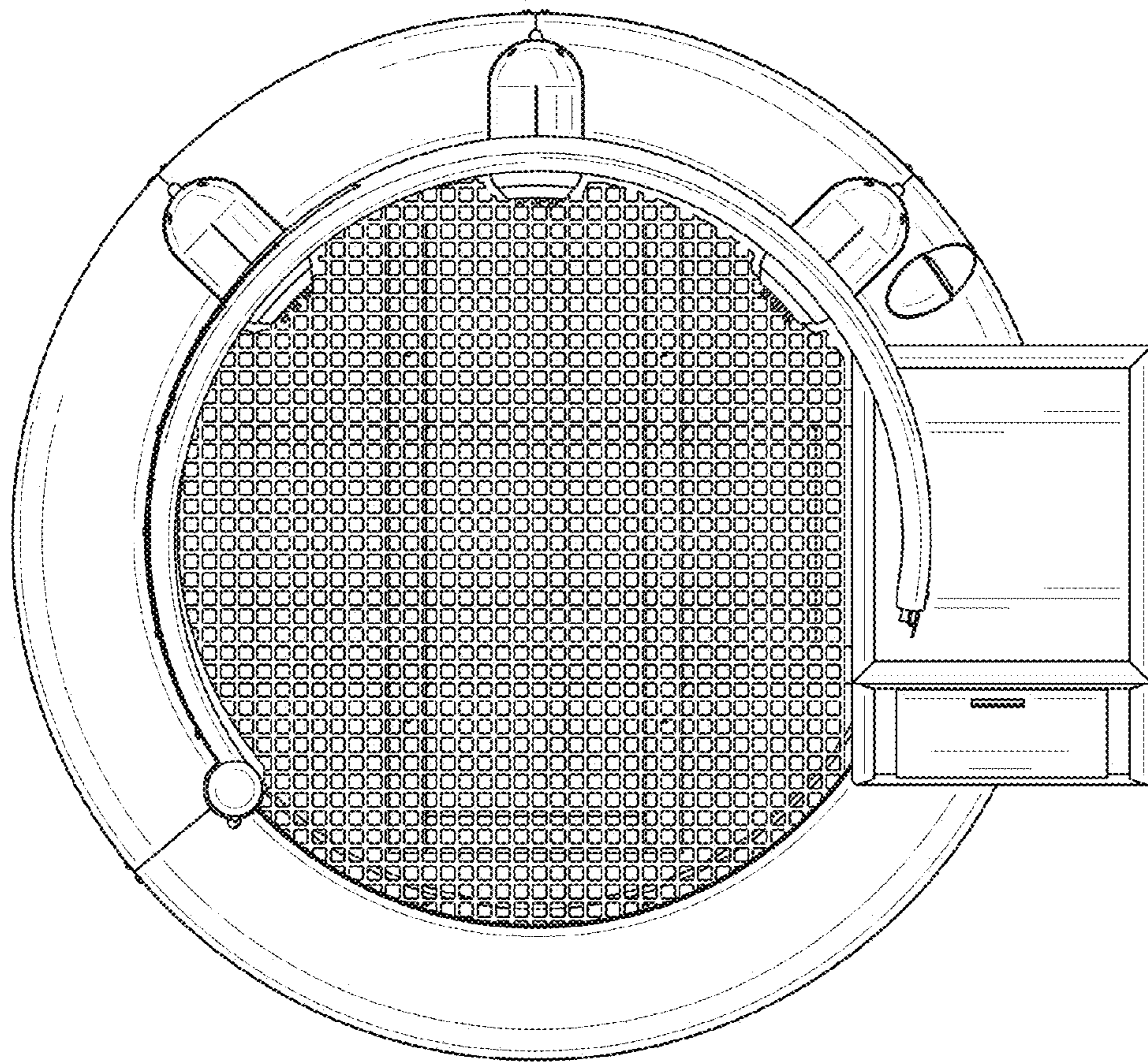


FIG. 9