



US00D735868S

(12) **United States Design Patent**  
**Mareguddi et al.**

(10) **Patent No.:** **US D735,868 S**

(45) **Date of Patent:** **\*\* Aug. 4, 2015**

(54) **TROLLEY FOR MEDICAL PURPOSE**

(56) **References Cited**

(71) Applicant: **KONINKLIJKE PHILIPS N.V.**,  
Eindhoven (NL)

(72) Inventors: **Praveen Narayan Mareguddi**,  
Bangalore Karnataka (IN); **Prasad P. Thakar**,  
Bangalore (IN); **Narayan Ayyakad Krishnan**,  
Bangalore (IN); **Kumara Sanjaya**,  
Bangalore (IN)

(73) Assignee: **KONINKLIJKE PHILIPS N.V.**,  
Eindhoven (NL)

U.S. PATENT DOCUMENTS

D286,922	S	*	11/1986	Takigawa	.....	D28/9
D477,082	S	*	7/2003	Bromley	.....	D24/170
D561,342	S	*	2/2008	Zimmer	.....	D24/185
D568,258	S	*	5/2008	Adam	.....	D13/163
D613,867	S	*	4/2010	Tanaka et al.	.....	D24/185
D629,523	S	*	12/2010	Porter et al.	.....	D24/185
D672,046	S	*	12/2012	Fuster	.....	D24/200
D702,842	S	*	4/2014	Hyde et al.	.....	D24/185
D708,748	S	*	7/2014	Lei	.....	D24/158
2013/0324896	A1	*	12/2013	Farese et al.	.....	601/152
2014/0194789	A1	*	7/2014	Ko	.....	601/18

\* cited by examiner

(\*\*) Term: **14 Years**

*Primary Examiner* — Holly Baynham

*Assistant Examiner* — Rhea Shields

(21) Appl. No.: **29/476,645**

(74) *Attorney, Agent, or Firm* — Michael W. Haas

(22) Filed: **Dec. 16, 2013**

(57) **CLAIM**

The ornamental design for a trolley for medical purpose, as shown and described.

(30) **Foreign Application Priority Data**

**DESCRIPTION**

Jun. 26, 2013 (EM) ..... 002263301-0001

(51) **LOC (10) Cl.** ..... **24-00**

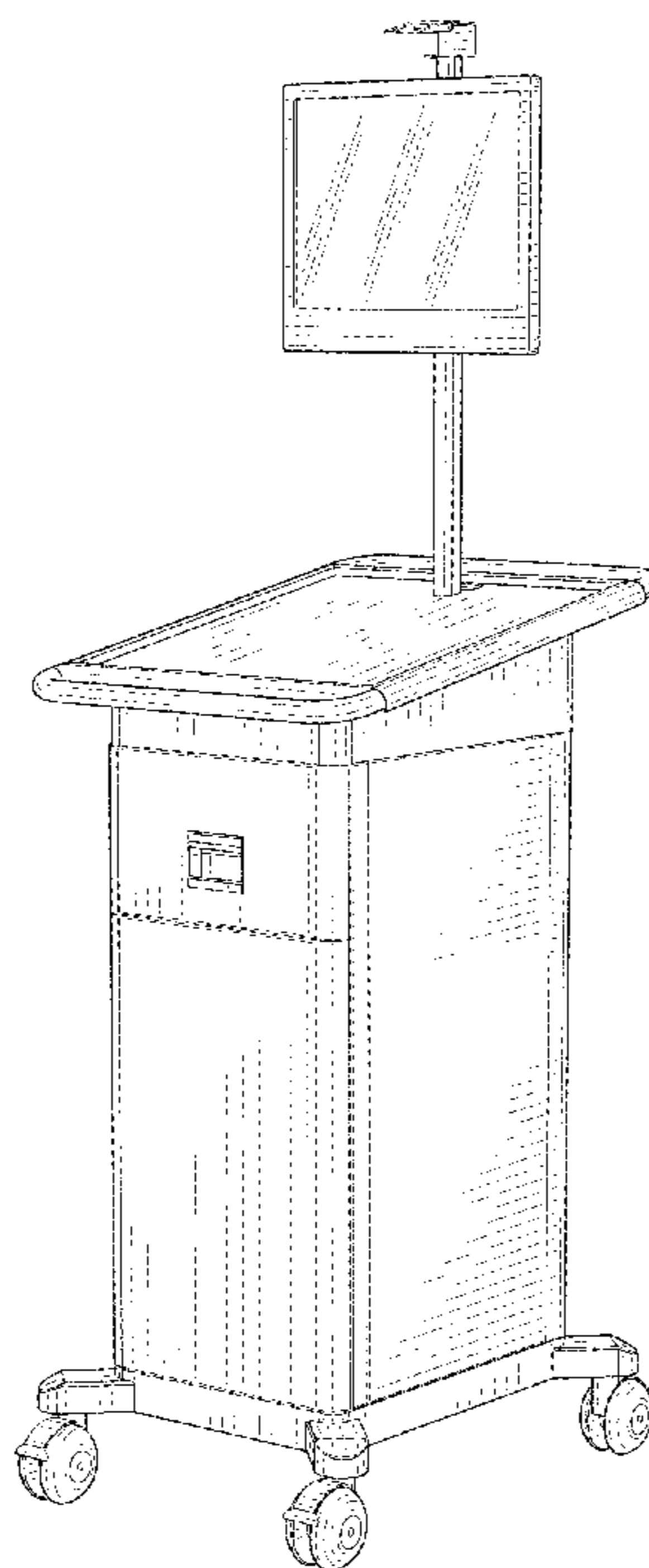
(52) **U.S. Cl.**  
USPC ..... **D24/185**

(58) **Field of Classification Search**  
USPC ..... D24/185, 144, 158, 187, 188, 200, 234,  
D24/170, 206, 133; D28/9; D13/163;  
601/152, 18; 604/15, 542; 607/102, 90;  
606/9, 14

FIG. 1 is a perspective view showing my design;  
FIG. 2 is a front elevational view thereof;  
FIG. 3 is a rear elevational view thereof;  
FIG. 4 is a right side elevational view thereof;  
FIG. 5 is a left side elevational view thereof;  
FIG. 6 is a top plan view thereof; and,  
FIG. 7 is a bottom plan view thereof.  
The broken lines are included for the purpose of illustrating unclaimed portions of the trolley for medical purpose and form no part of the claimed design.

See application file for complete search history.

**1 Claim, 6 Drawing Sheets**



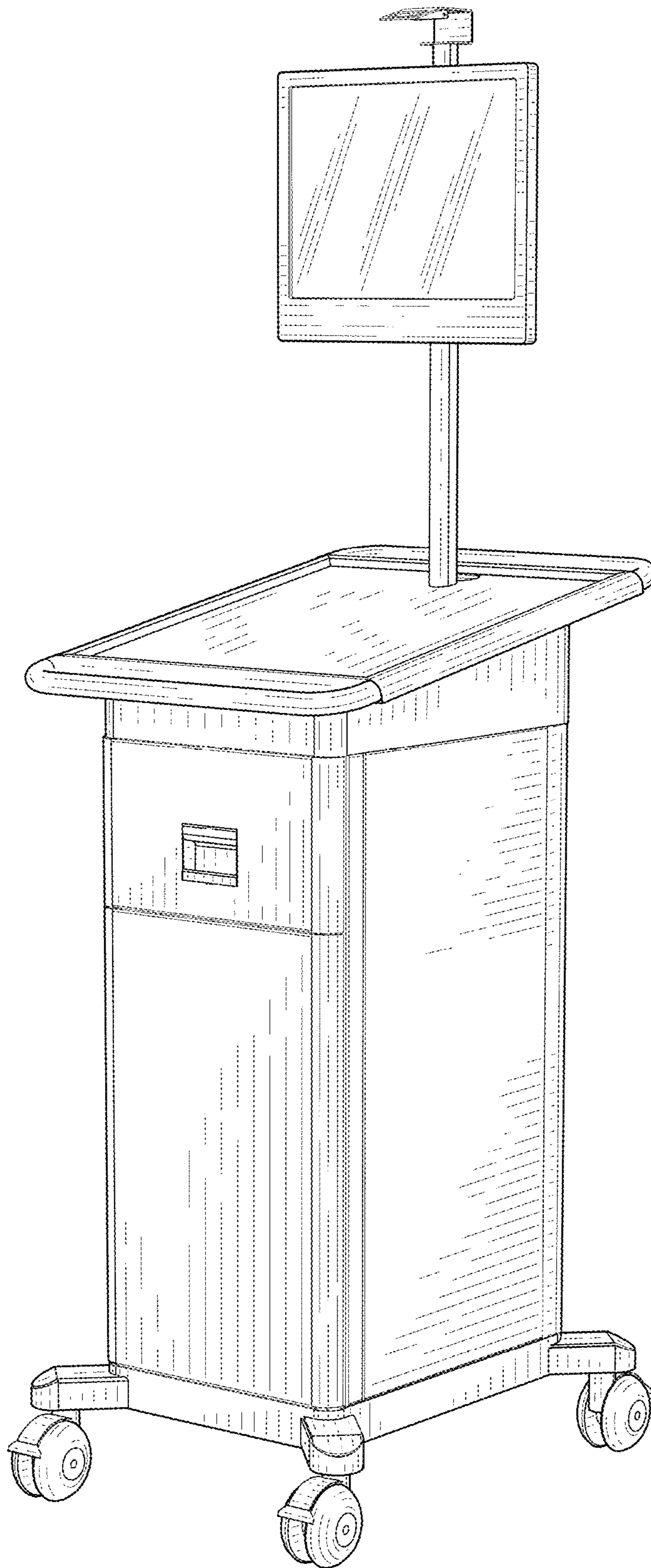


FIG. 1

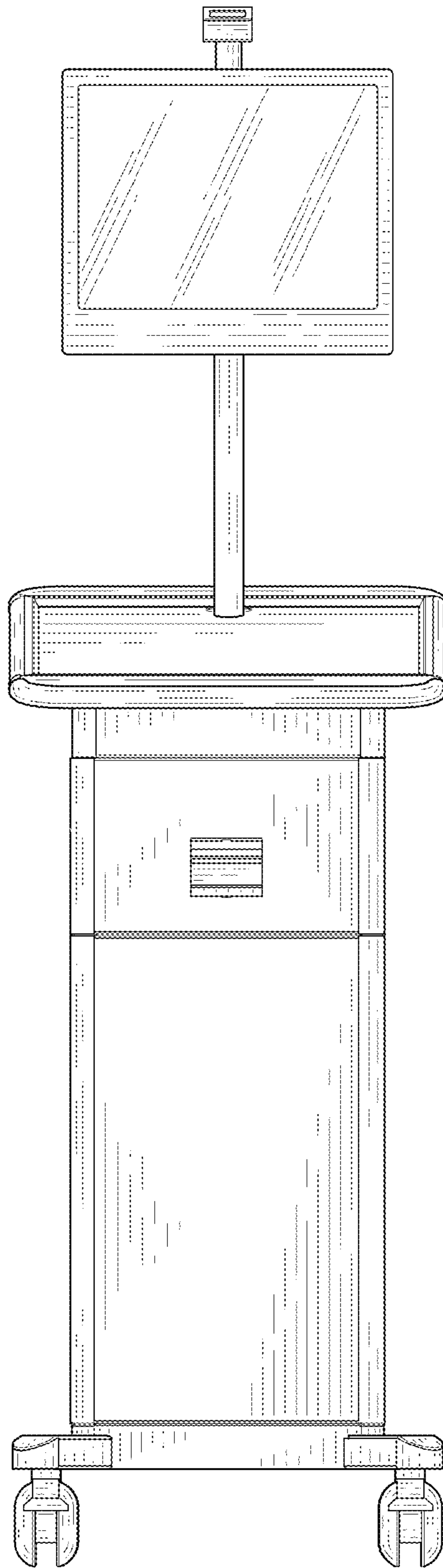


FIG. 2

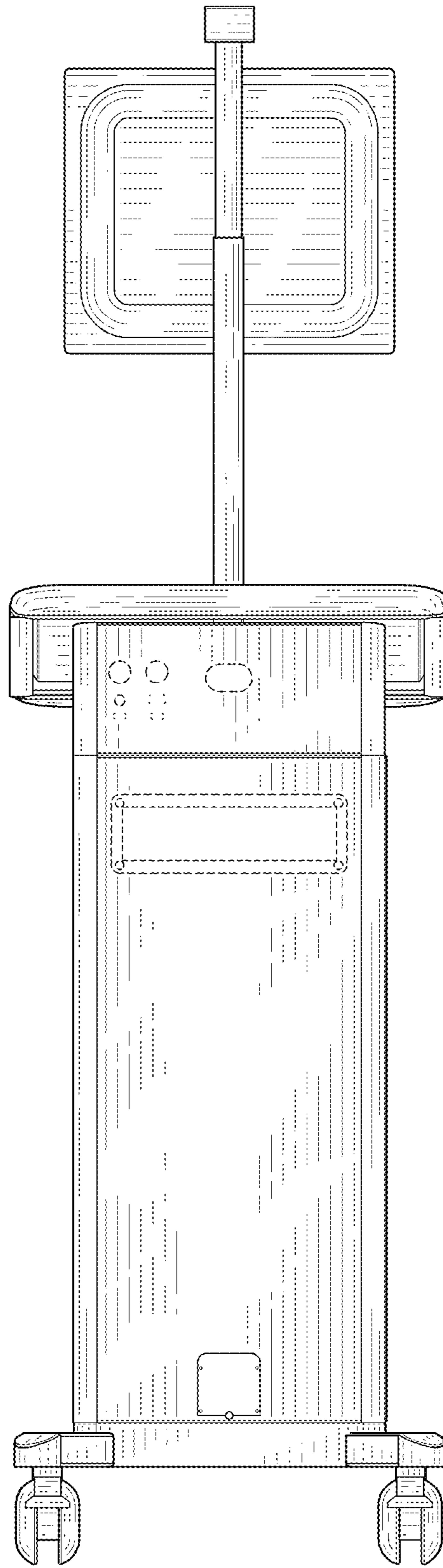


FIG. 3

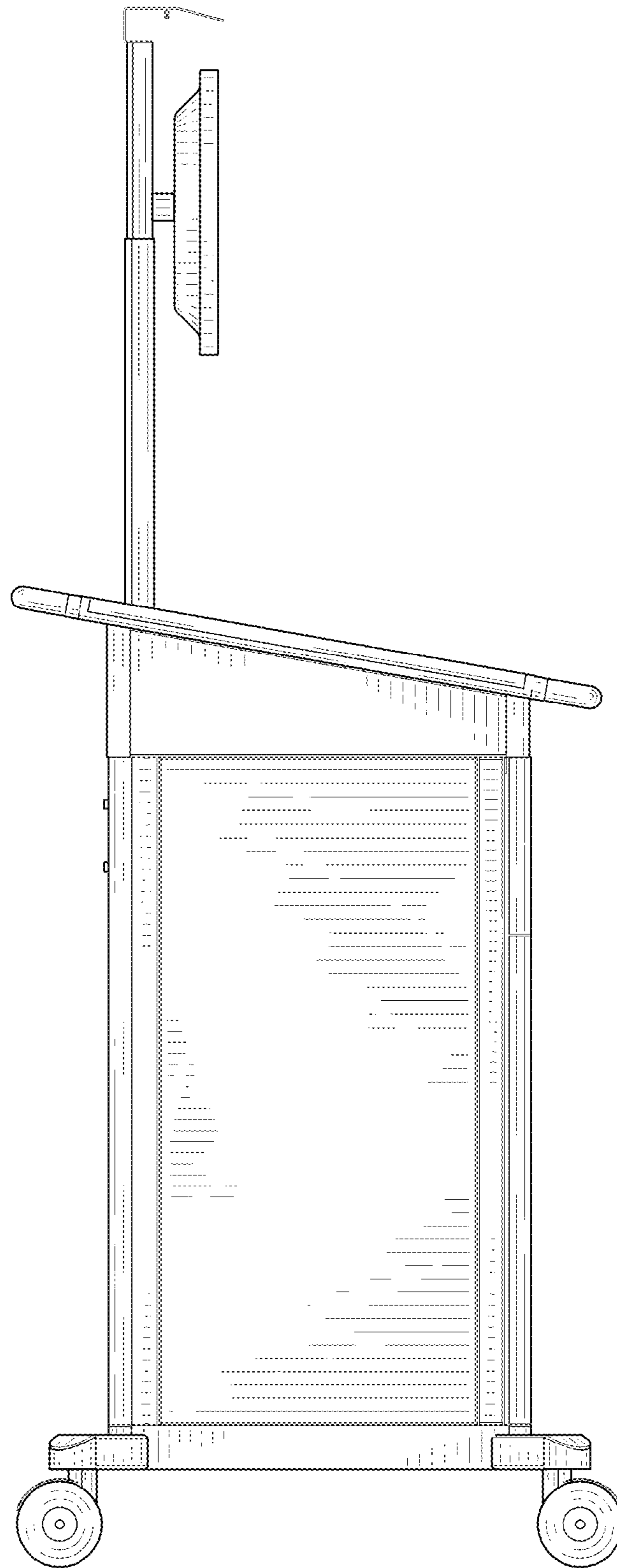


FIG. 4

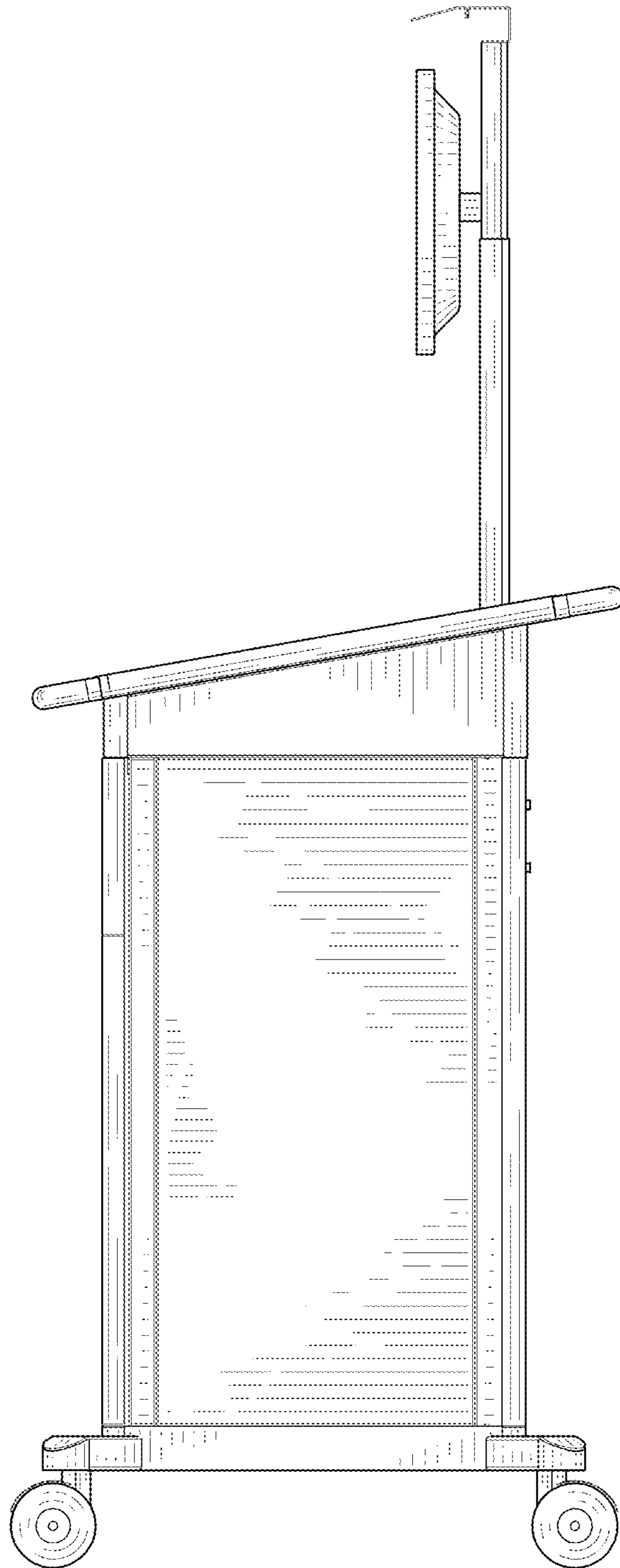


FIG. 5

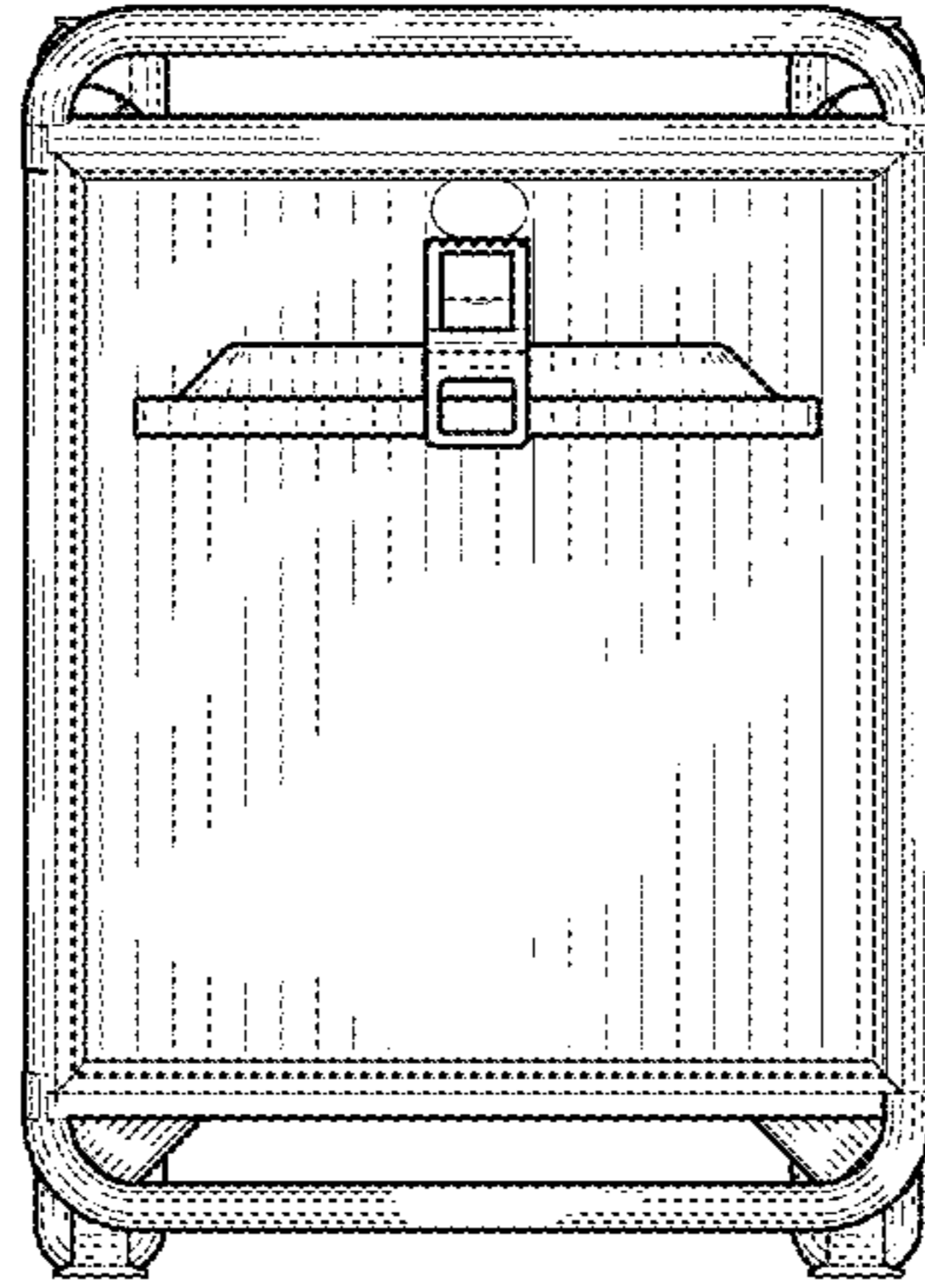


FIG. 6

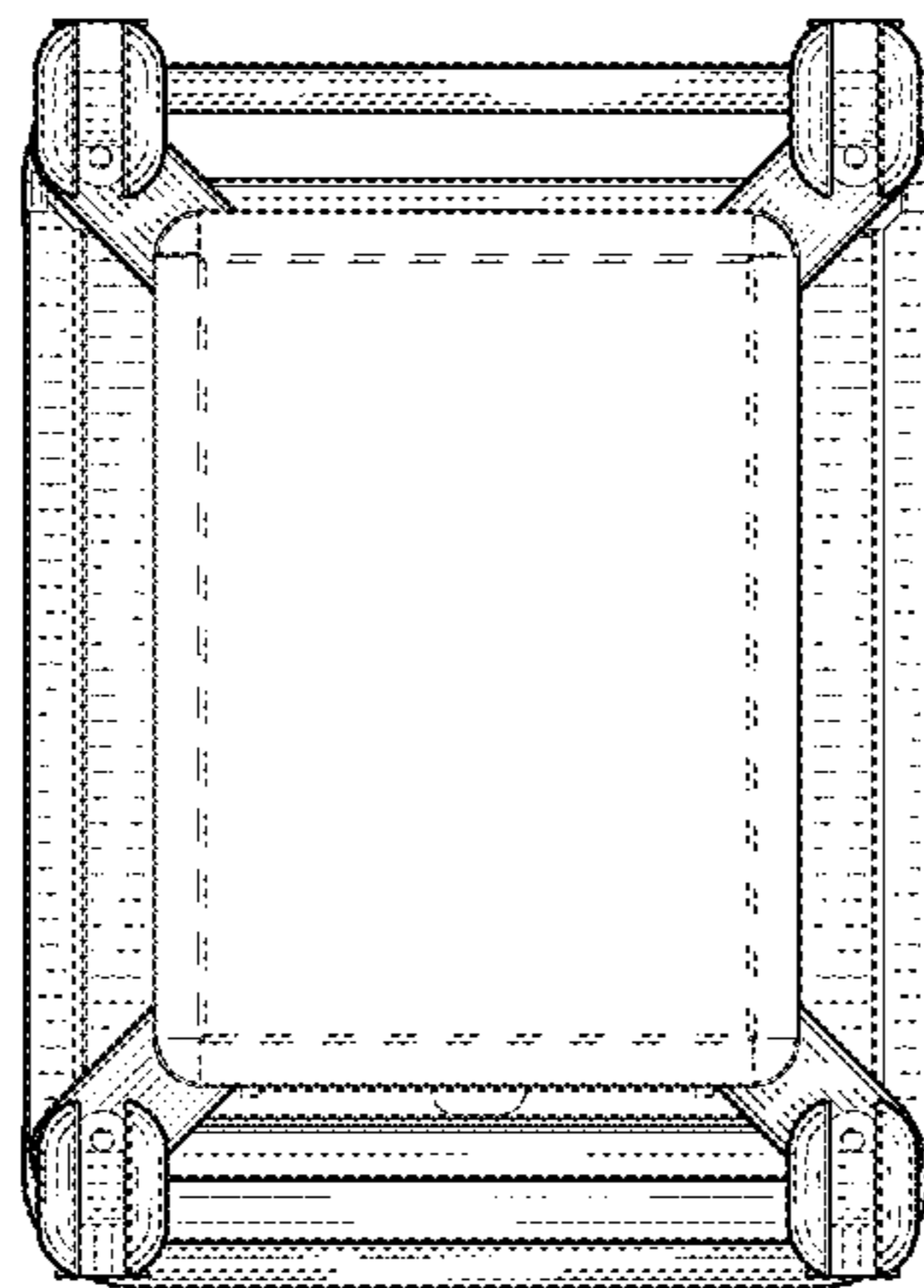


FIG. 7