



US00D735867S

(12) **United States Design Patent**
Zalewski

(10) **Patent No.:** **US D735,867 S**

(45) **Date of Patent:** **** Aug. 4, 2015**

(54) **CRASH CART**

(71) Applicant: **Erik M. Zalewski**, Miller Place, NY
(US)

(72) Inventor: **Erik M. Zalewski**, Miller Place, NY
(US)

(**) Term: **14 Years**

(21) Appl. No.: **29/465,169**

(22) Filed: **Aug. 24, 2013**

(51) **LOC (10) Cl.** **24-00**

(52) **U.S. Cl.**
USPC **D24/185**

(58) **Field of Classification Search**
USPC D24/185, 172, 158, 164, 186, 234;
D6/430; 280/659, 30, 47.34, 47.19,
280/47.35; 206/229; D34/20; 312/234.1,
312/209, 328, 7.2, 263; 266/48; 4/516, 262
See application file for complete search history.

(56) **References Cited**

U.S. PATENT DOCUMENTS

D178,739 S *	9/1956	Slaysky et al.	D6/430
2,905,480 A *	9/1959	Giovannelli	280/659
3,081,542 A *	3/1963	Sherfey	
3,254,756 A *	6/1966	Rankin	206/229
D207,370 S *	4/1967	Nobel	D24/185
D220,095 S *	3/1971	Salsgiver	D34/20
D230,716 S *	3/1974	Ceranowicz et al.	D24/185
3,969,006 A *	7/1976	Brown	312/234.1
4,160,323 A *	7/1979	Tracy	
D263,995 S *	4/1982	Steele	D24/185
4,583,795 A *	4/1986	Brown et al.	312/209
4,616,891 A *	10/1986	Jantzen	312/328
4,625,949 A *	12/1986	Walker	266/48
4,652,062 A *	3/1987	Greenwood	312/209
4,790,610 A *	12/1988	Welch et al.	
D304,075 S *	10/1989	Welch	
4,875,696 A *	10/1989	Welch et al.	
4,998,302 A *	3/1991	Silva	4/516
5,007,688 A *	4/1991	Bayerlein et al.	312/7.2
5,518,258 A *	5/1996	Cox	280/30

5,605,344 A *	2/1997	Insalaco et al.	280/47.34
5,671,933 A *	9/1997	Tucker	280/47.19
5,673,984 A *	10/1997	Insalaco et al.	
5,702,115 A *	12/1997	Pool	280/47.35
5,918,323 A *	7/1999	Smith	4/262
5,975,660 A *	11/1999	Tisbo et al.	312/263
7,188,846 B2	3/2007	Deavila	
2012/0007323 A1	1/2012	Janick et al.	

* cited by examiner

Primary Examiner — Holly Baynham

Assistant Examiner — Rhea Shields

(74) *Attorney, Agent, or Firm* — Richard L Miller

(57) **CLAIM**

The ornamental design for a crash cart, as shown and described.

DESCRIPTION

FIG. 1 is a three quarter front, top, left side perspective view of a crash cart showing my new design;
 FIG. 2 is a front elevational view thereof, taken in the direction of arrow 2 in FIG. 7;
 FIG. 3 is a rear elevational view thereof, taken in the direction of arrow 3 in FIG. 7;
 FIG. 4 is a top plan view thereof, taken in the direction of arrow 4 in FIG. 7;
 FIG. 5 is a bottom plan view thereof, taken in the direction of arrow 5 in FIG. 7;
 FIG. 6 is a left side elevational view thereof, taken in the direction of arrow 6 in FIG. 7, it being understood that the right side elevational view is a mirror image thereof; and,
 FIG. 7 is a view identical to FIG. 1 with descriptive legend directional arrows included which are necessary for better understanding of the drawing in accordance with 37 CFR 1084(o) and appropriate with good engineering practices, so as to best indicate in what directions previous views are taken so that nothing regarding the design sought to be patented is ambiguous or left to conjecture.
 In the drawings, the broken lines depict unclaimed subject matter only an form no part of the claimed design.

1 Claim, 6 Drawing Sheets

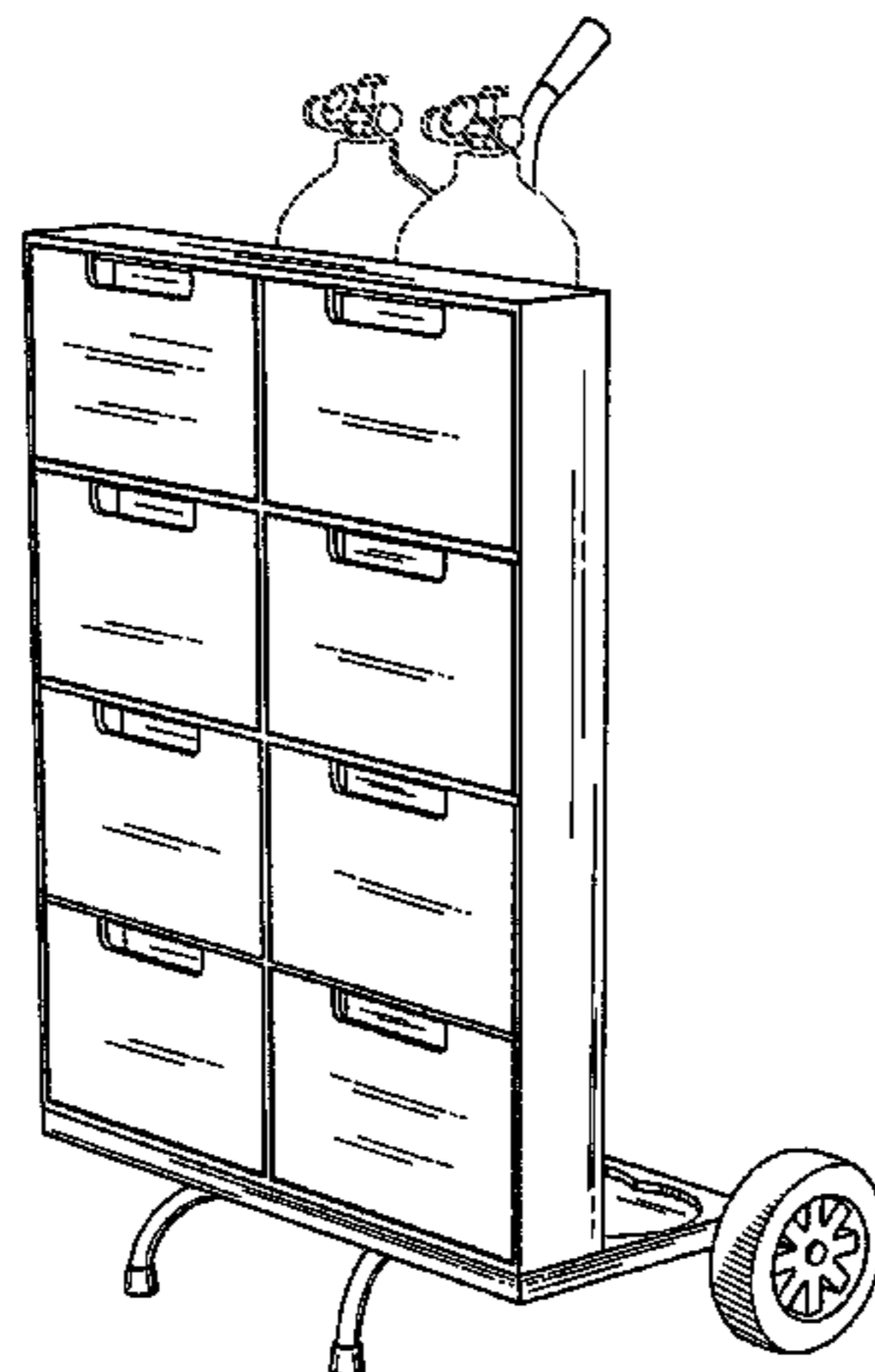




Fig. 1

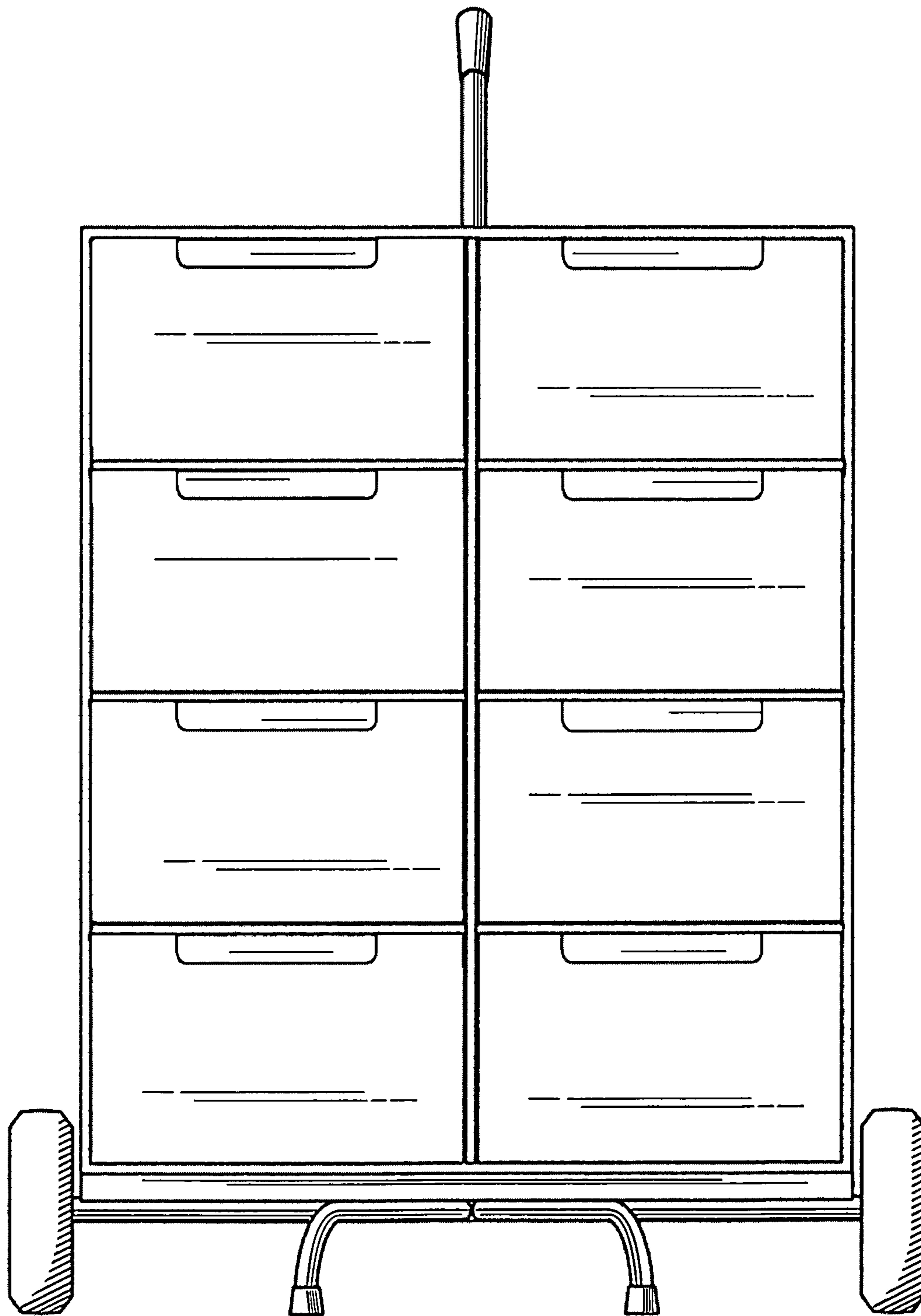


Fig. 2

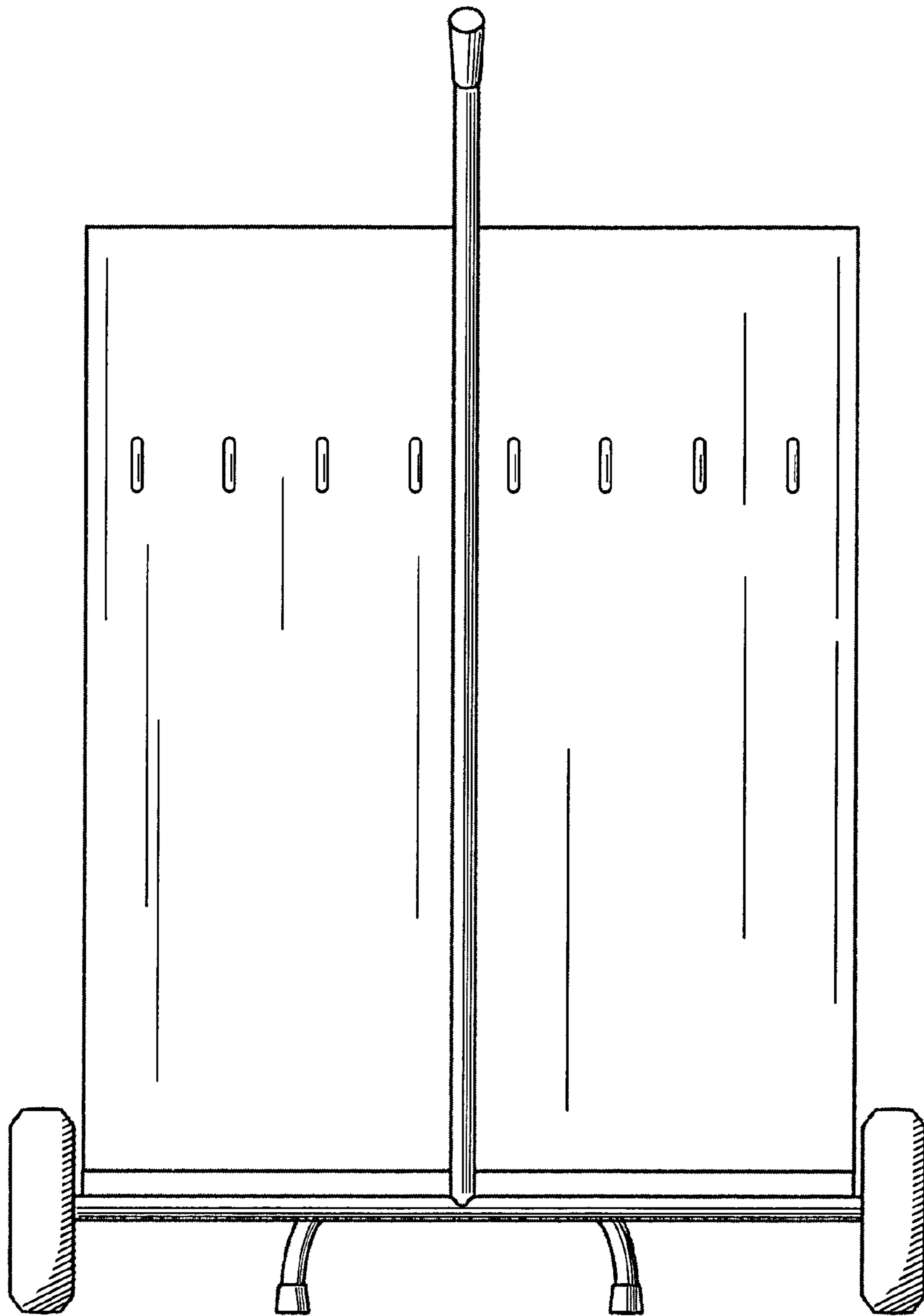


Fig. 3

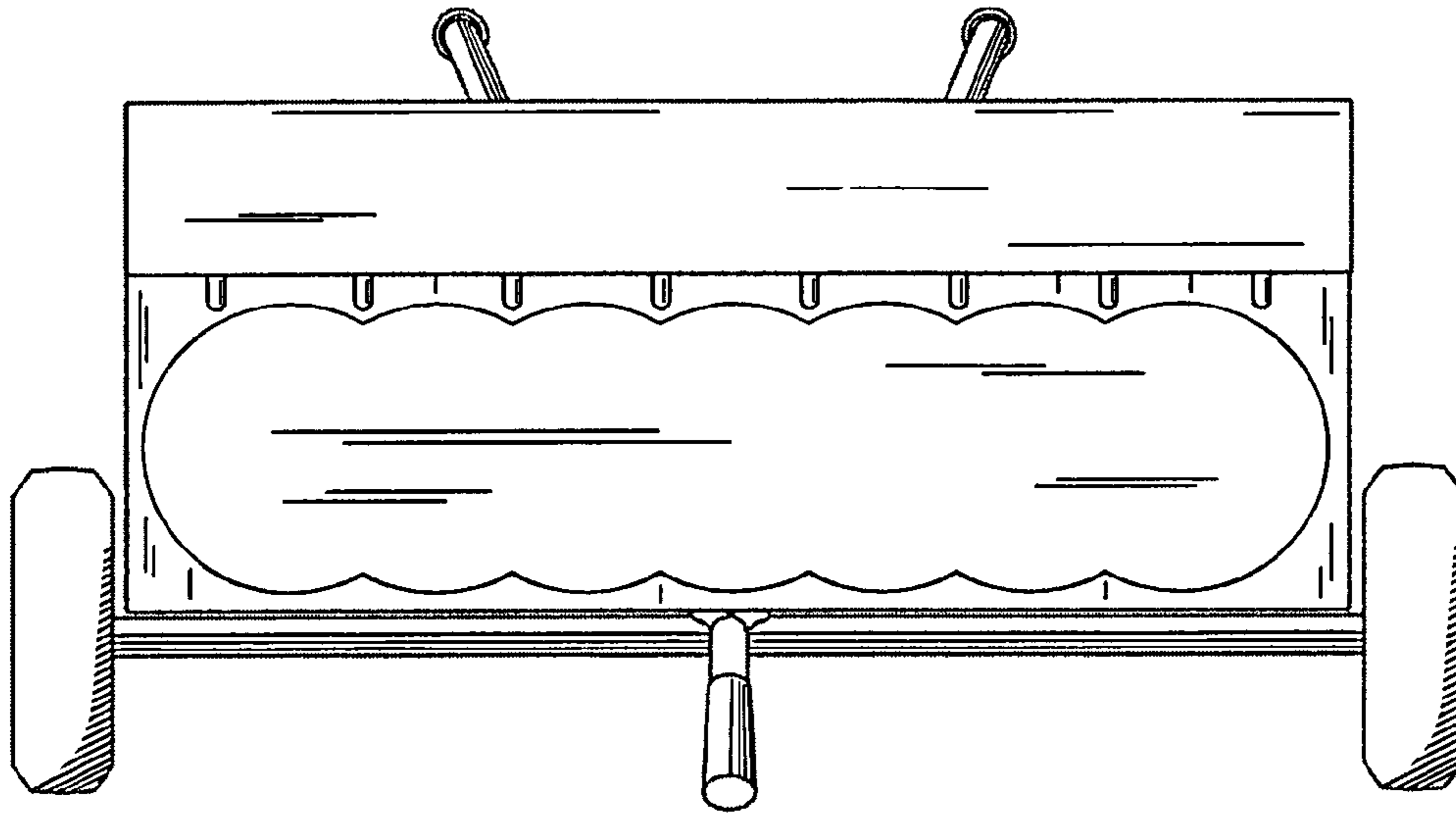


Fig. 4

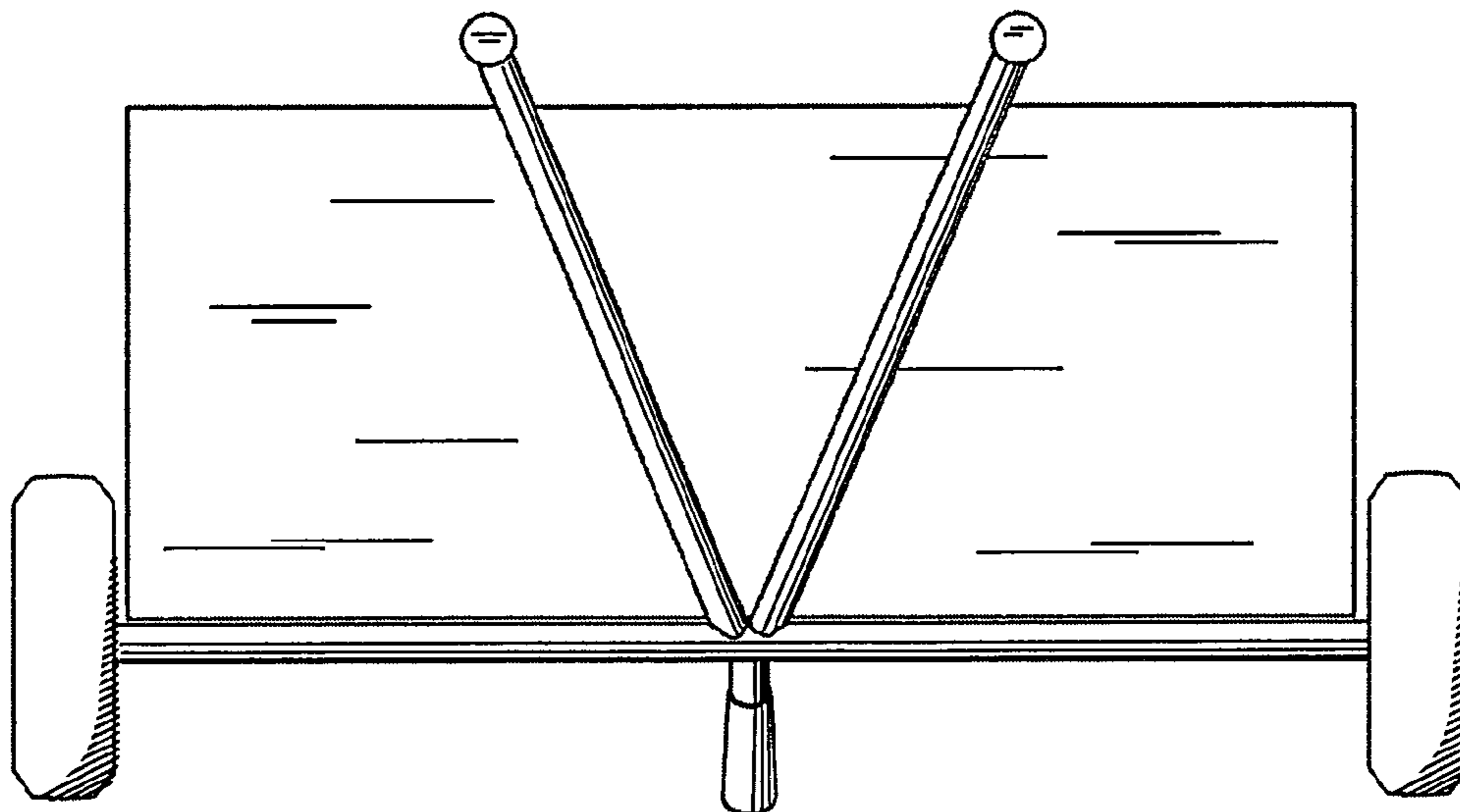


Fig. 5

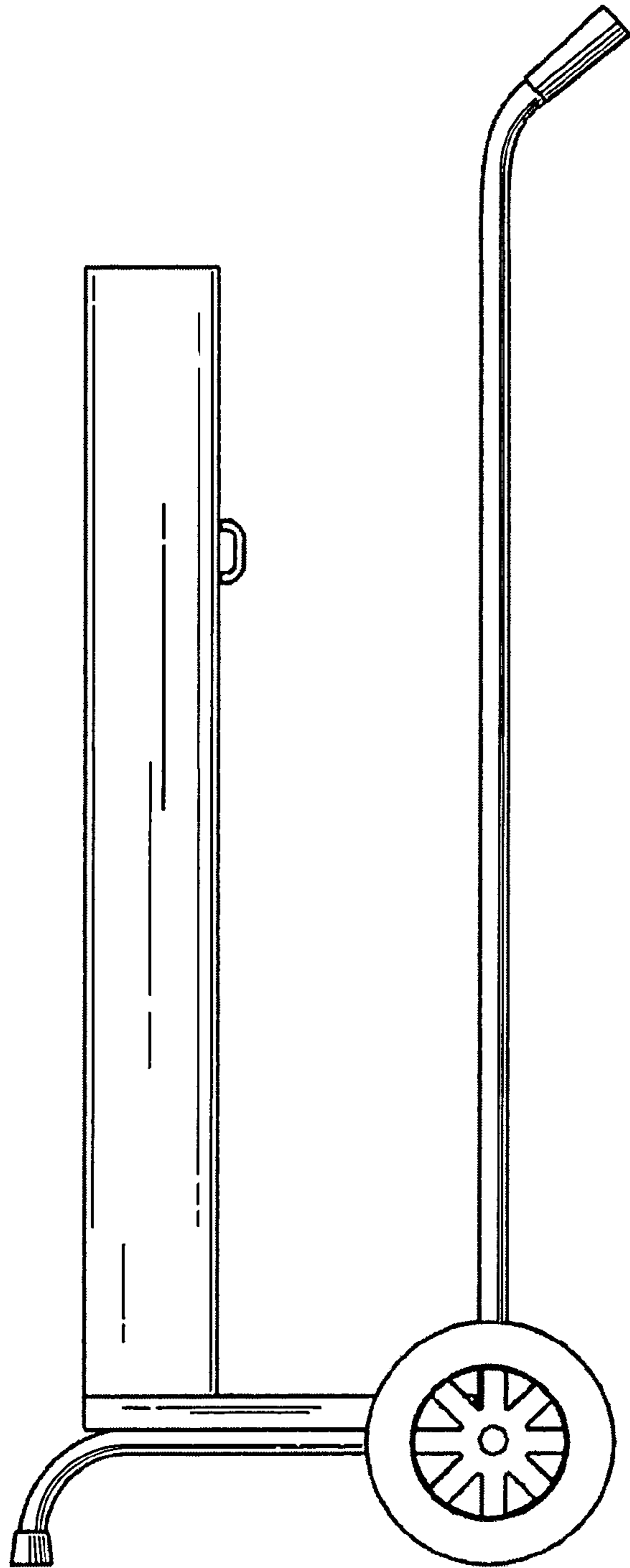


Fig. 6

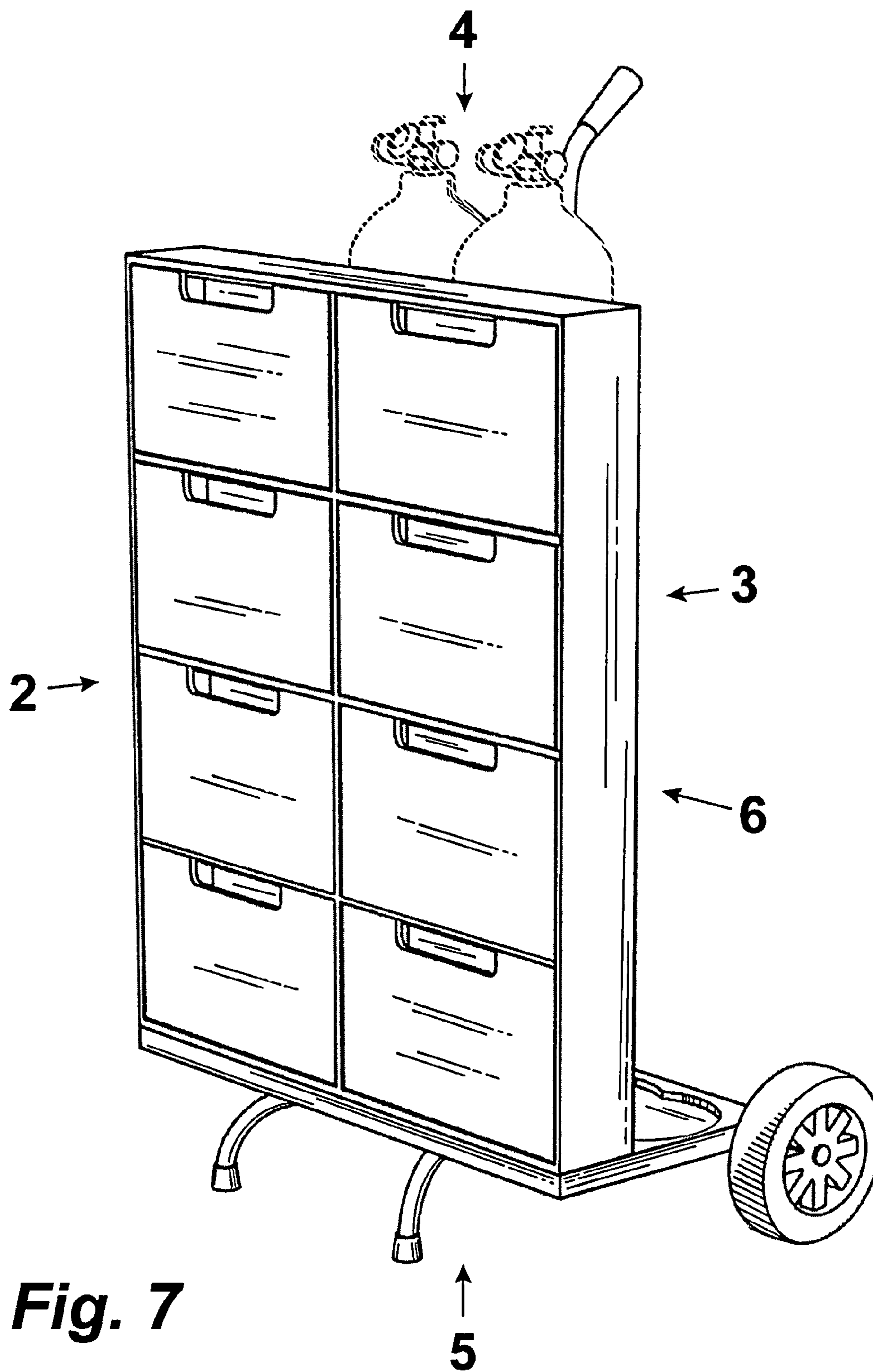


Fig. 7