



US00D735866S

(12) **United States Design Patent**
Assa et al.

(10) **Patent No.:** **US D735,866 S**
(45) **Date of Patent:** **** Aug. 4, 2015**

(54) **APPARATUS FOR SKIN TREATMENT**

(56) **References Cited**

(71) Applicants: **Shlomo Assa**, San Diego, CA (US);
James Bartholomeusz, Beverly Hills,
CA (US); **Steve J. Meyer**, San Diego,
CA (US); **John Stine**, Murrieta, CA
(US); **Charles Cubrrun**, Encinitas, CA
(US); **Lee-Anne Stossell**, Laguna
Niguel, CA (US); **Matthew M. Kranz**,
Encinitas, CA (US)

U.S. PATENT DOCUMENTS

D286,922	S	*	11/1986	Takigawa	D28/9
D477,082	S	*	7/2003	Bromley	D24/170
D561,342	S	*	2/2008	Zimmer	D24/185
D568,258	S	*	5/2008	Adam	D13/163
D613,867	S	*	4/2010	Tanaka et al.	D24/185
D629,523	S	*	12/2010	Porter et al.	D24/185
D672,046	S	*	12/2012	Fuster	D24/200
D702,842	S	*	4/2014	Hyde et al.	D24/185
D708,748	S	*	7/2014	Lei	D24/158
2013/0324896	A1	*	12/2013	Farese et al.	601/152
2014/0194789	A1	*	7/2014	Ko	601/18

(72) Inventors: **Shlomo Assa**, San Diego, CA (US);
James Bartholomeusz, Beverly Hills,
CA (US); **Steve J. Meyer**, San Diego,
CA (US); **John Stine**, Murrieta, CA
(US); **Charles Cubrrun**, Encinitas, CA
(US); **Lee-Anne Stossell**, Laguna
Niguel, CA (US); **Matthew M. Kranz**,
Encinitas, CA (US)

OTHER PUBLICATIONS

“Syneron Product Line” reference dated Feb. 16, 2005, found on the internet at <http://www.nasdaq.com/markets/spos/filing.ashx?filingid=3273408>.*

(Continued)

(73) Assignee: **SYNERON MEDICAL LTD.**, Yoqneam Illit (IL)

Primary Examiner — Holly Baynham
Assistant Examiner — Rhea Shields

(**) Term: **14 Years**

(74) *Attorney, Agent, or Firm* — Vorys, Sater, Seymour and Pease LLP; William L. Klima

(21) Appl. No.: **29/447,025**

(22) Filed: **Feb. 28, 2013**

(51) **LOC (10) Cl.** **24-00**

(52) **U.S. Cl.**
USPC **D24/185**

(58) **Field of Classification Search**

USPC D24/146, 185, 135, 140, 147, 155, 139,
D24/114, 212–213, 192, 215, 130, 133, 171,
D24/141, 144, 158, 187, 188, 200, 234, 170,
D24/206; 601/33, 134, 152, 18; 606/900,
606/86 A, 104, 90, 88, 86 R, 324, 295, 288,
606/68, 272, 267, 265, 266, 257, 251, 246,
606/57, 54, 916, 105, 96, 80, 60, 53, 64, 62,
606/63, 66, 9, 14; 128/845, 882, 893;
602/5, 6, 11, 12, 30, 40, 39, 28, 29;
D29/121.2; 36/93, 94; 408/214; D28/9;
D13/163; 604/15, 542; 607/102, 90

See application file for complete search history.

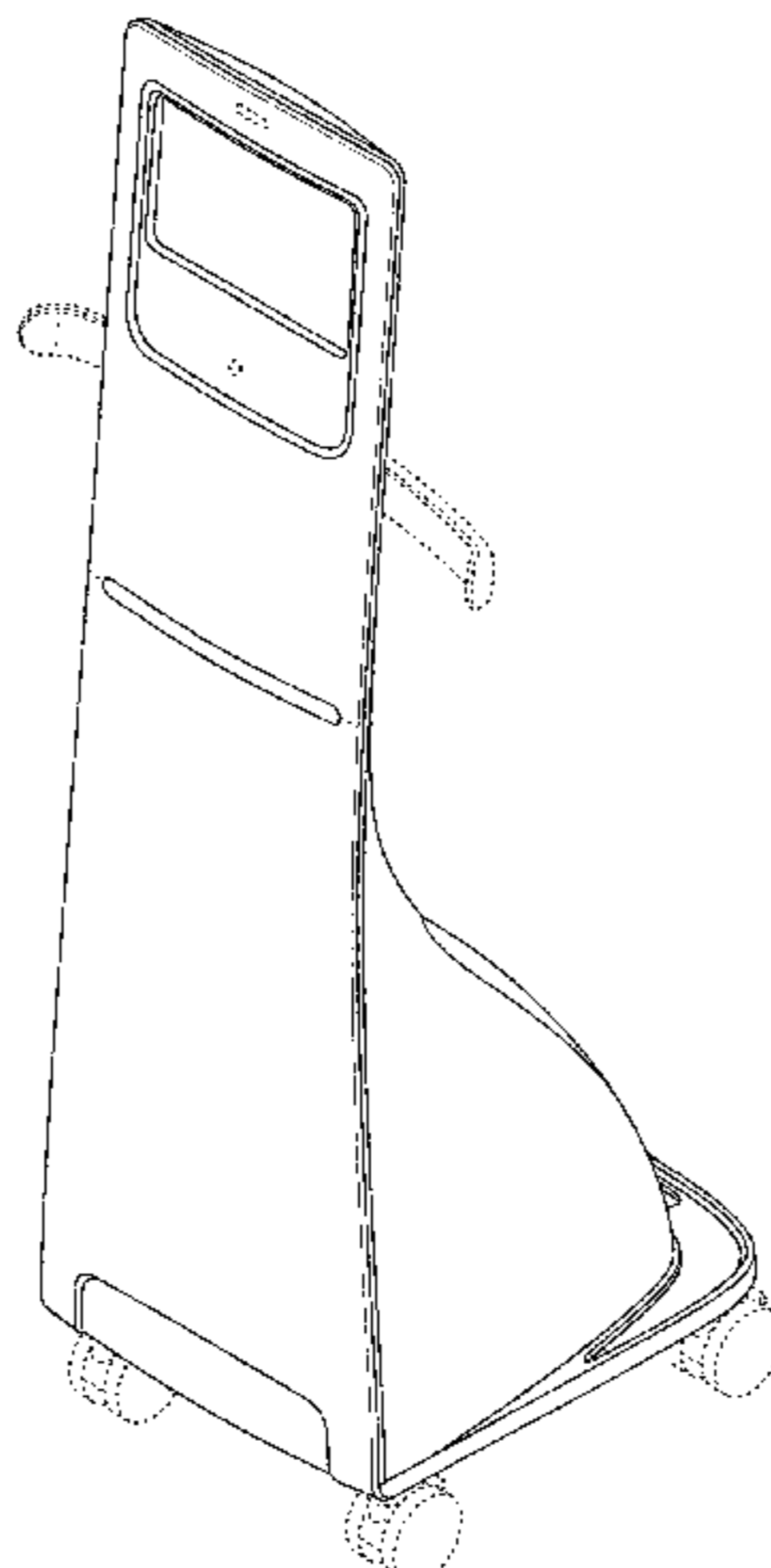
(57) **CLAIM**

The ornamental design for an apparatus for skin treatment, as shown and described.

DESCRIPTION

FIG. 1 is a front perspective view of an apparatus for skin treatment;
FIG. 2 is a bottom planar view thereof;
FIG. 3 is a top planar view thereof;
FIG. 4 is a left-side elevational view thereof, the right-side elevational view being a mirror image thereof;
FIG. 5 is a front elevational view thereof; and,
FIG. 6 is a rear elevational view thereof.
In the drawings, the broken lines depict unclaimed subject matter only and form no part of the claimed design.

1 Claim, 5 Drawing Sheets



(56)

References Cited

OTHER PUBLICATIONS

“Noninvasive Body Contouring” reference dated 2013, found on the internet at <http://www.medestheticsmagazine.com/taxonomy/term/96>.
<http://www.nasdaq.com/markets/spos/filing.ashx?filingid=3273408>
searched RMS Jul. 23, 2013.*

<http://www.medestheticsmagazine.com/taxonomy/term/96>
searched RMS Jul. 23, 2013.*

<http://www.2equip.com/brands/lumenis> searched RMS Jul. 23, 2013.*

* cited by examiner

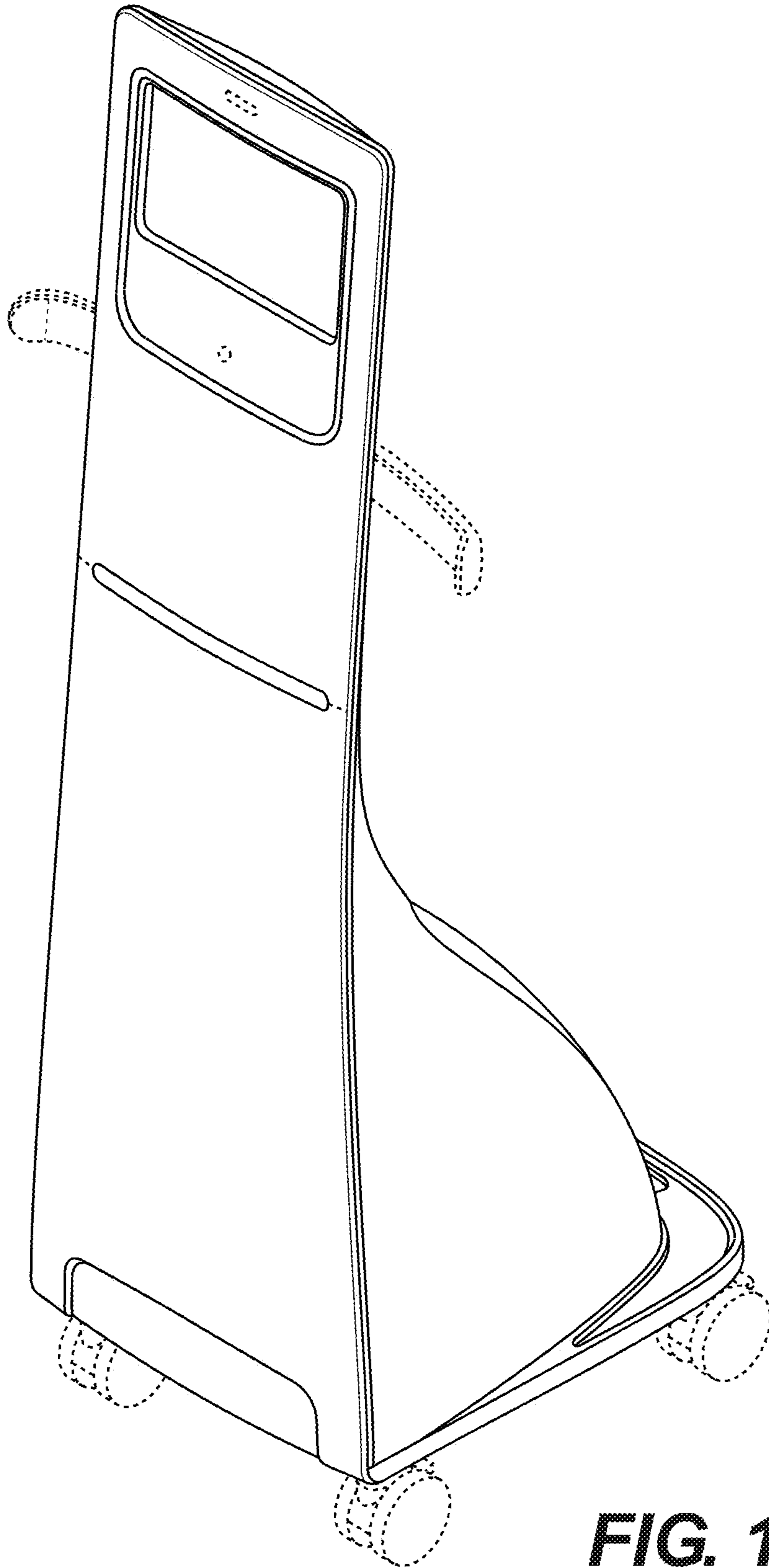


FIG. 1

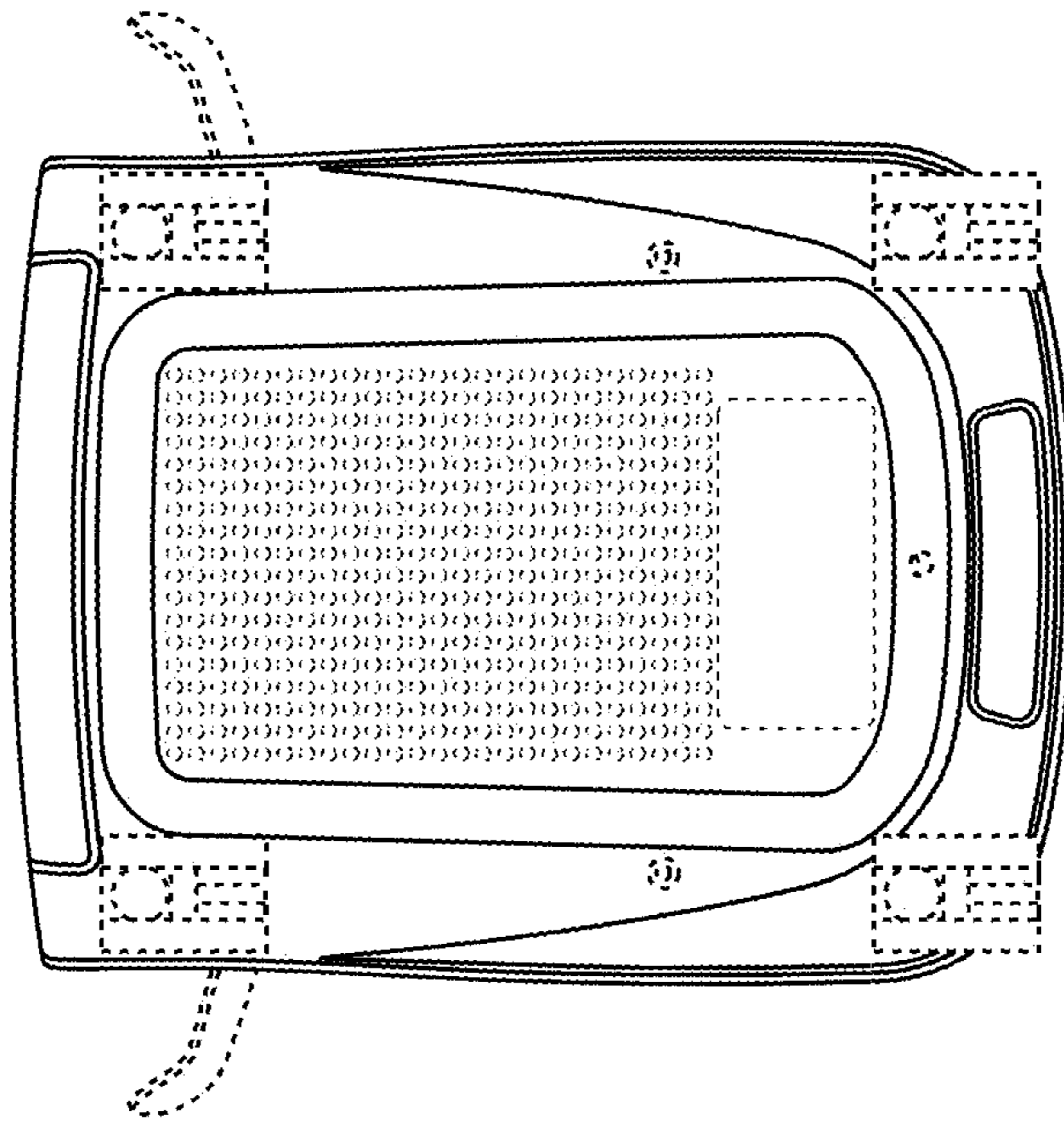


FIG. 2

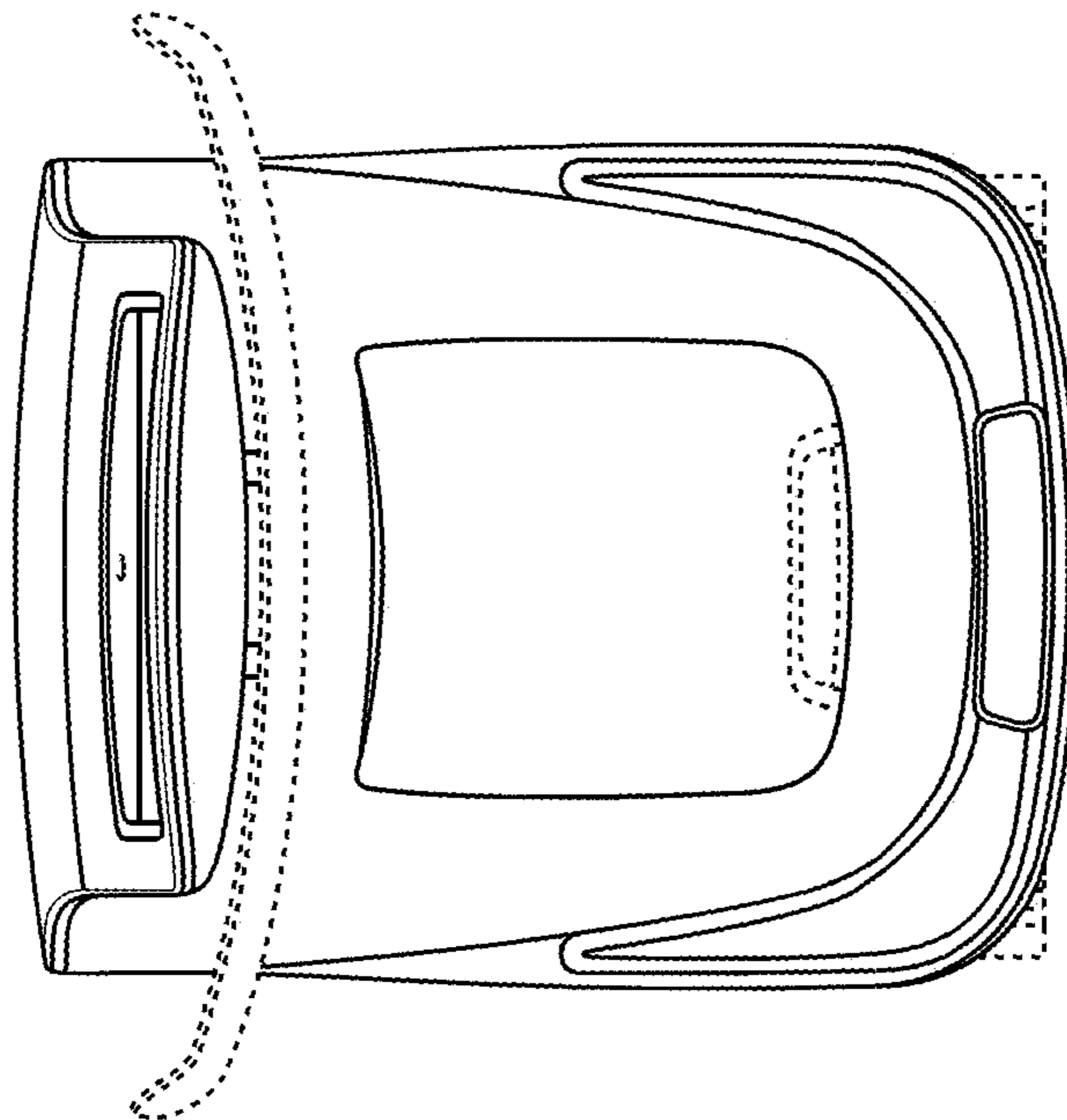


FIG. 3

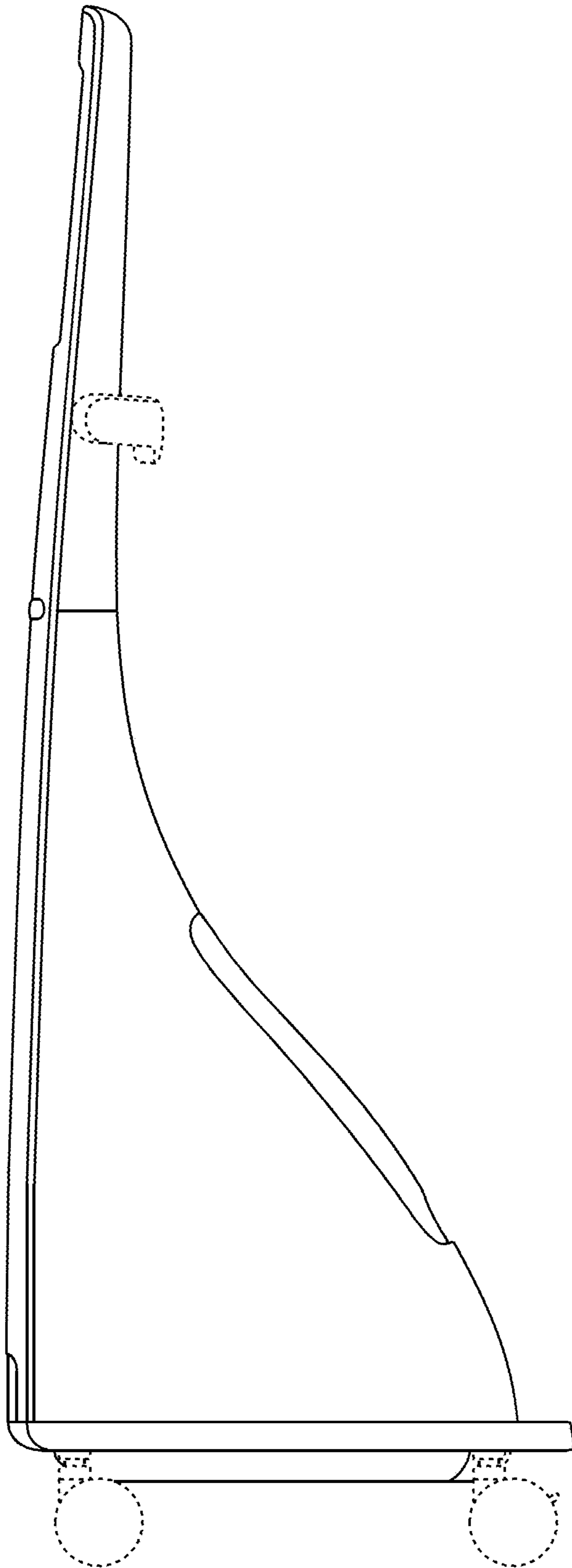


FIG. 4

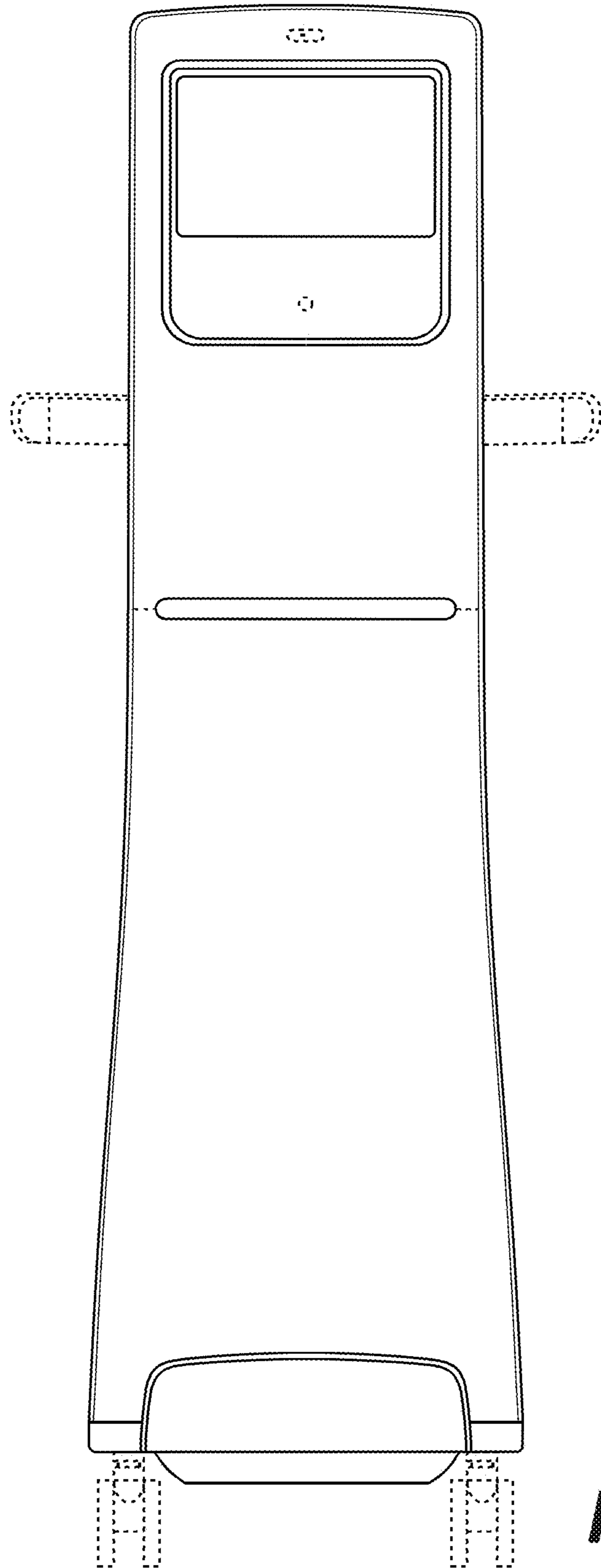


FIG. 5

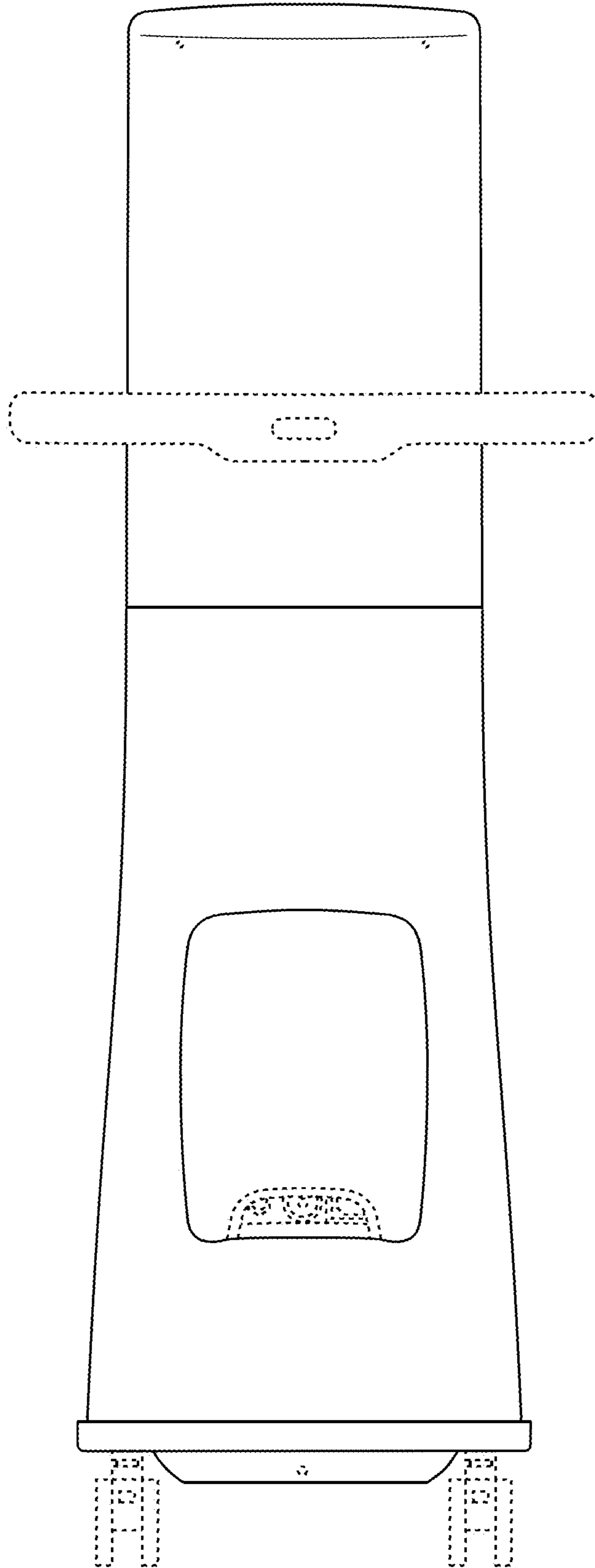


FIG. 6