



US00D735864S

(12) **United States Design Patent**
Doerre et al.

(10) **Patent No.:** **US D735,864 S**
(45) **Date of Patent:** **** Aug. 4, 2015**

(54) **PATIENT TABLE FOR MEDICAL IMAGING SYSTEM**

(71) Applicant: **Siemens Aktiengesellschaft**, Munich (DE)

(72) Inventors: **Helmut Doerre**, Nuremberg (DE);
Markus Rossmeier, Bamberg (DE)

(73) Assignee: **Siemens Aktiengesellschaft**, Munich (DE)

(**) Term: **14 Years**

(21) Appl. No.: **29/487,944**

(22) Filed: **Apr. 14, 2014**

(30) **Foreign Application Priority Data**

Oct. 14, 2013 (EM) 001388292

(51) **LOC (10) Cl.** **24-01**

(52) **U.S. Cl.**
USPC **D24/159**

(58) **Field of Classification Search**
USPC D24/158-161, 185, 186, 183, 184;
378/4, 15, 17, 21, 23-27, 62, 68,
378/196-198, 209; 600/407, 409, 410, 415,
600/421, 422, 425; 5/601, 607
See application file for complete search history.

(56) **References Cited**

U.S. PATENT DOCUMENTS

D462,445 S * 9/2002 Barde et al. D24/183
D527,459 S * 8/2006 Gireesh D24/183

(Continued)

Primary Examiner — Anhdao Doan

(74) *Attorney, Agent, or Firm* — Schiff Hardin LLP

(57) **CLAIM**

The ornamental design for a patient table for medical imaging system, as shown and described.

DESCRIPTION

The patent or application file contains at least one drawing executed in color. Copies of this patent or patent application

publication with color drawing(s) will be provided by the Office upon request and payment of the necessary fee.

FIG. 1 is a front elevational view of a first embodiment of a patient table for medical imaging system;

FIG. 2 is a rear elevational view of the patient table for medical imaging system of FIG. 1;

FIG. 3 is a top plan view of the patient table for medical imaging system of FIG. 1;

FIG. 4 is a bottom plan view of the patient table for medical imaging system of FIG. 1;

FIG. 5 is a right side elevational view of the patient table for medical imaging system of FIG. 1;

FIG. 6 is a left side elevational view of the patient table for medical imaging system of FIG. 1;

FIG. 7 is a perspective view from a direction between the front and right side of the patient table for medical imaging system of FIG. 1;

FIG. 8 is a perspective view from a direction between the rear and right side of the patient table for medical imaging system of FIG. 1;

FIG. 9 is a front elevational view of a second embodiment of a patient table for medical imaging system;

FIG. 10 is a rear elevational view of the patient table for medical imaging system of FIG. 9;

FIG. 11 is a top plan view of the patient table for medical imaging system of FIG. 9;

FIG. 12 is a bottom plan view of the patient table for medical imaging system of FIG. 9;

FIG. 13 is a right side elevational view of the patient table for medical imaging system of FIG. 9;

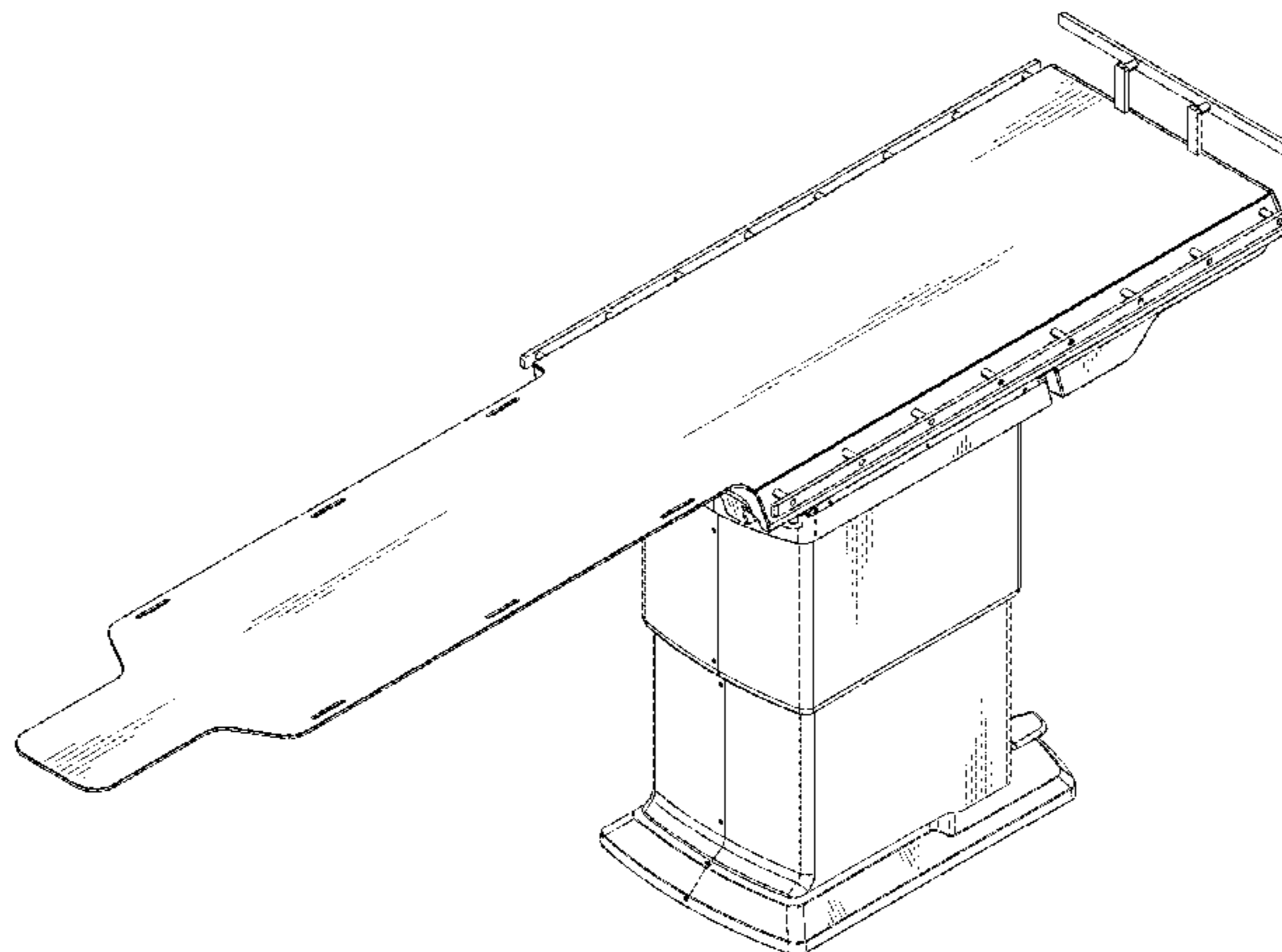
FIG. 14 is a left side elevational view of the patient table for medical imaging system of FIG. 9;

FIG. 15 is a perspective view from a direction between the front and right side of the patient table for medical imaging system of FIG. 9; and,

FIG. 16 is a perspective view from a direction between the rear and right side of the patient table for medical imaging system of FIG. 9.

Portions of the patient table for medical imaging system shown in broken lines form no part of the claimed design.

1 Claim, 16 Drawing Sheets
(6 of 16 Drawing Sheet(s) Filed in Color)



US D735,864 S

Page 2

(56)

References Cited

U.S. PATENT DOCUMENTS

D553,246 S * 10/2007 Banryu D24/183
D630,330 S * 1/2011 Baba D24/159
D669,990 S * 10/2012 Degruytere D24/158

D681,208 S * 4/2013 Ninomiya et al. D24/159
D701,605 S * 3/2014 Ohmukai D24/183
2014/0053333 A1* 2/2014 Krieg et al. 5/601

* cited by examiner

FIG 1

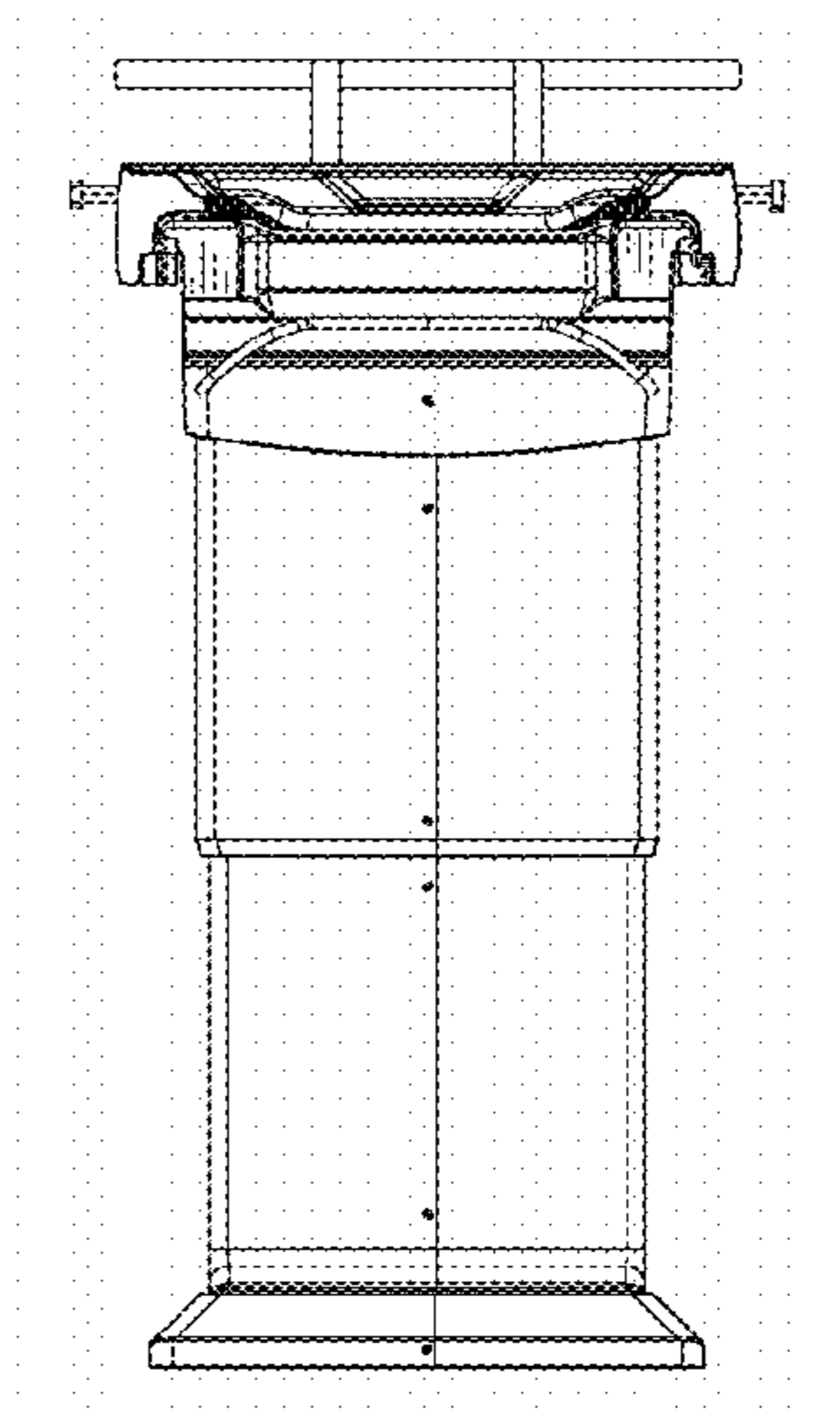


FIG 2

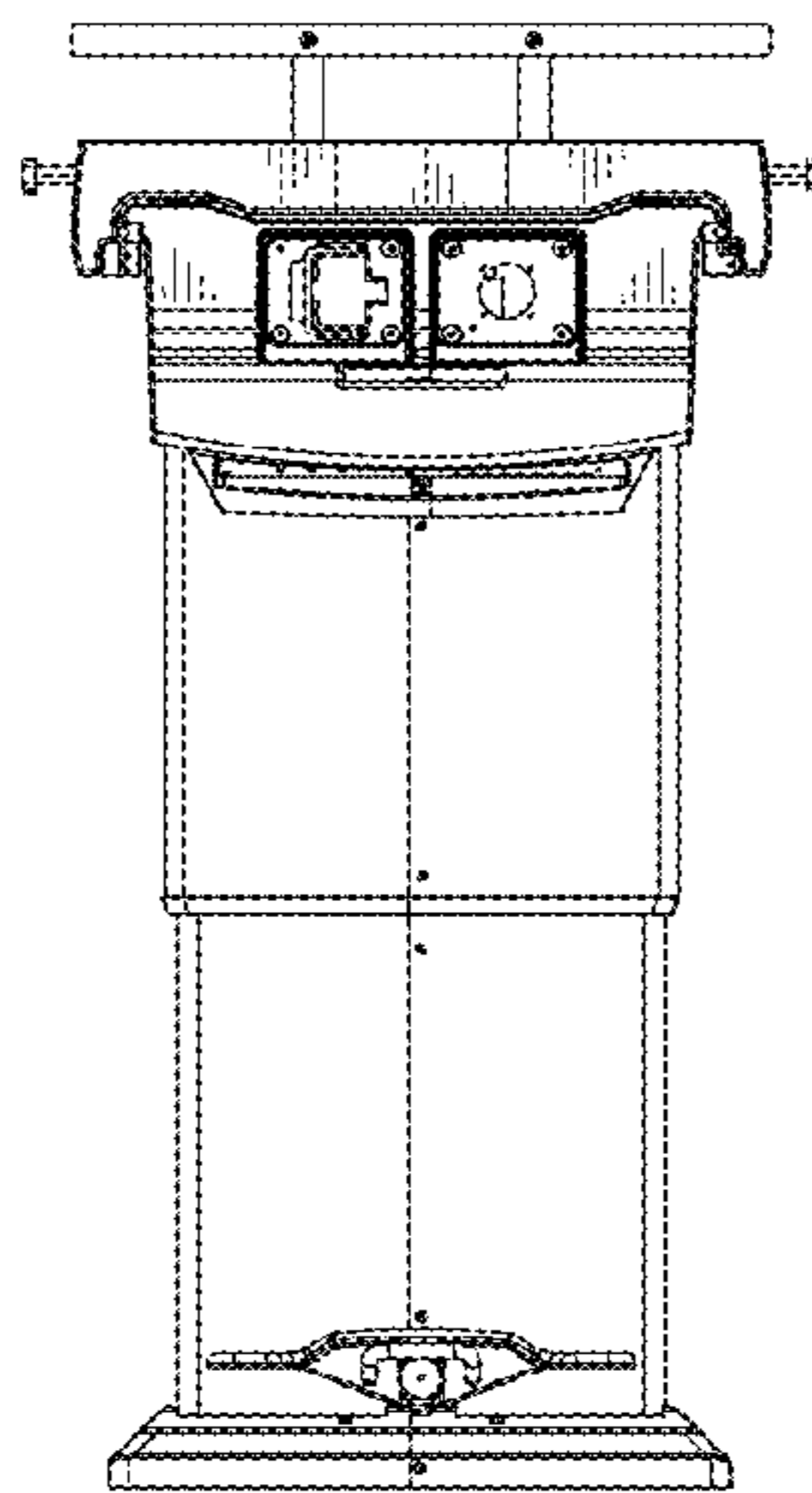


FIG 3

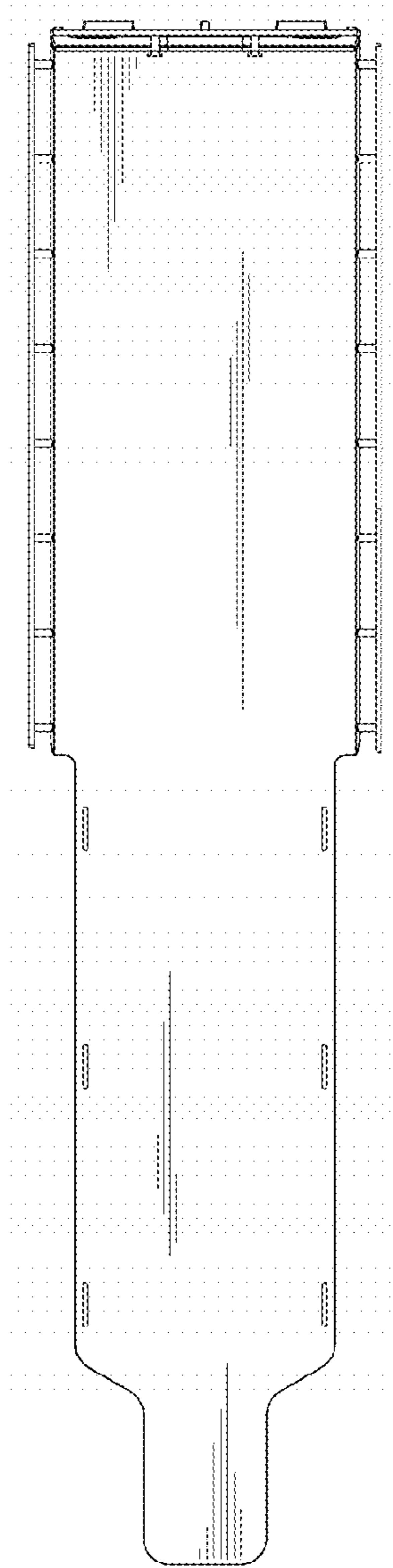


FIG 4

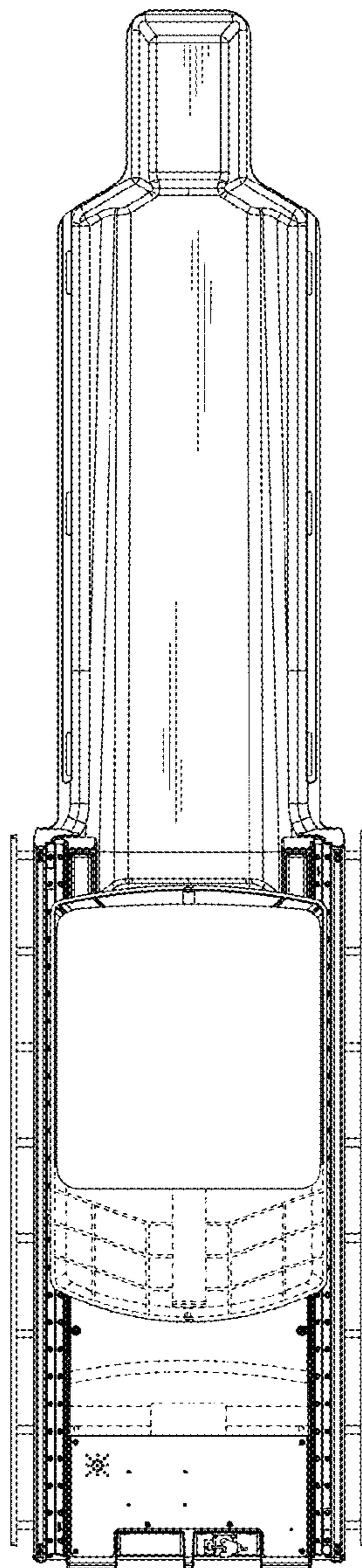


FIG 5

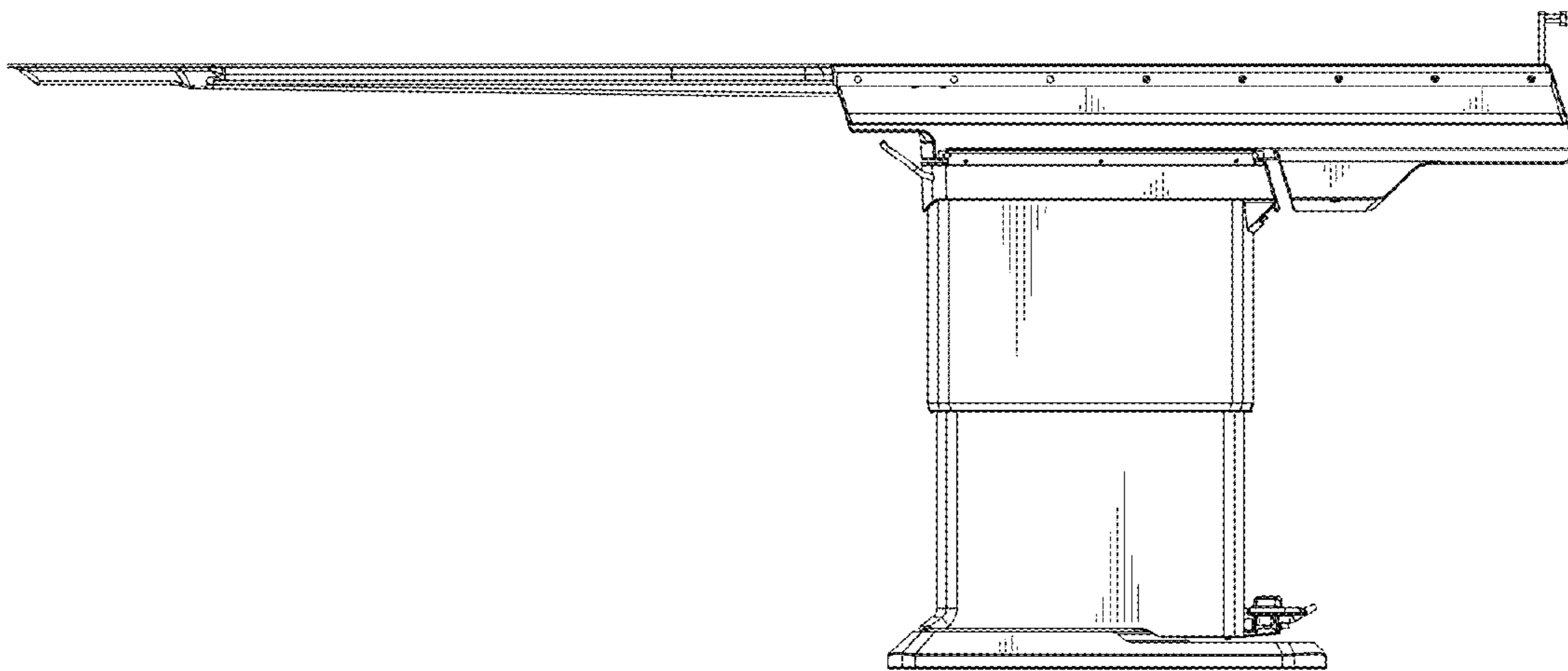


FIG 6

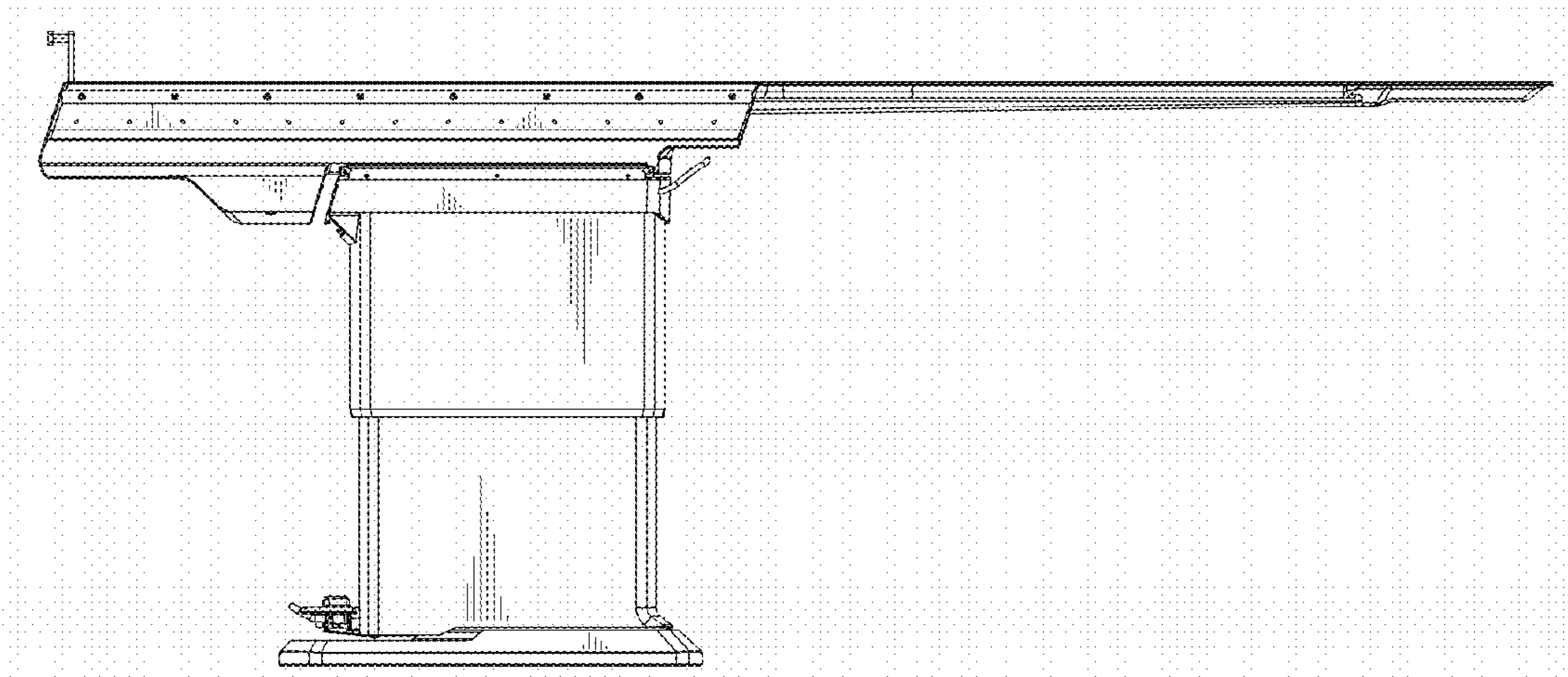


FIG 7

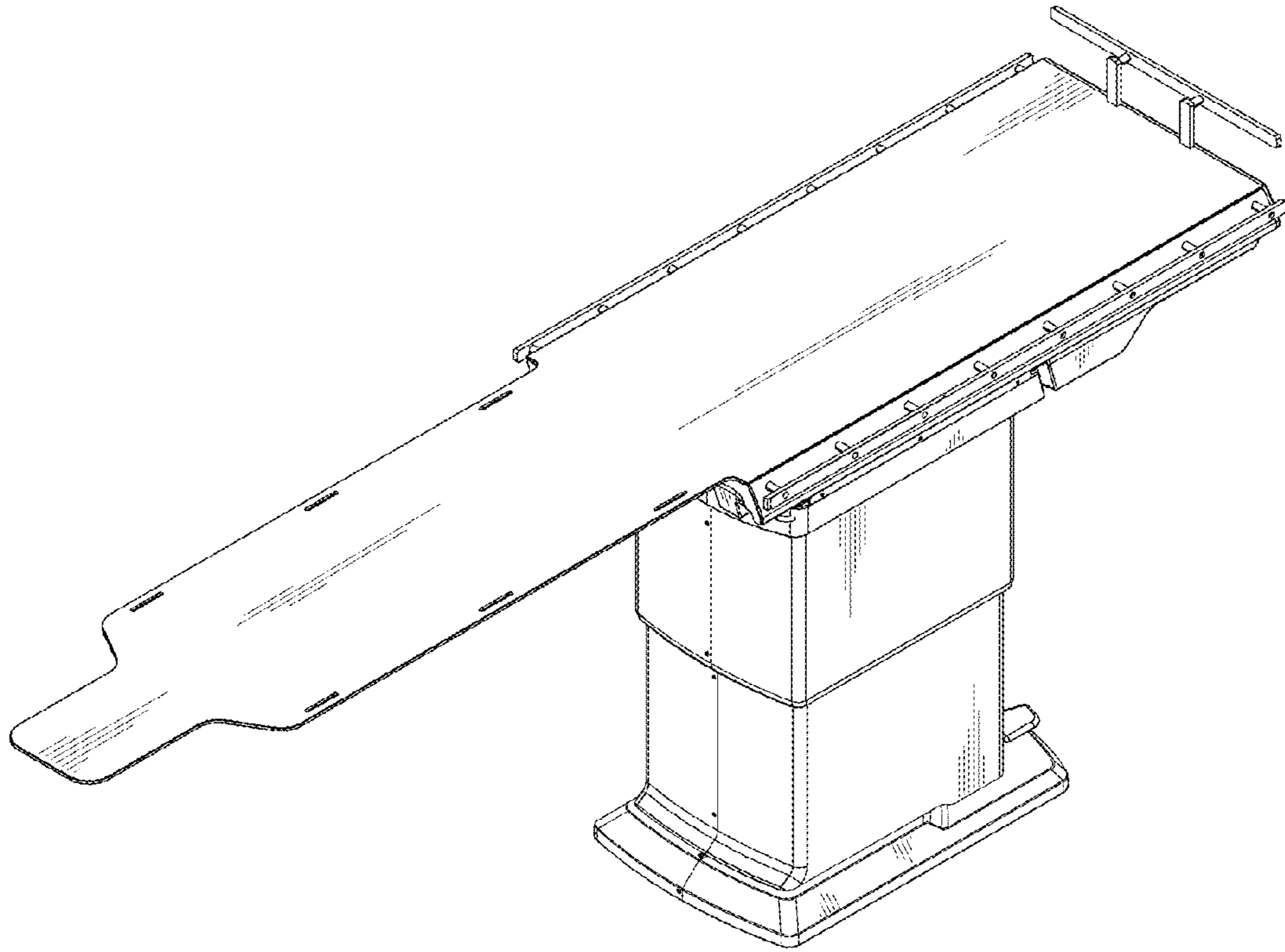


FIG 8

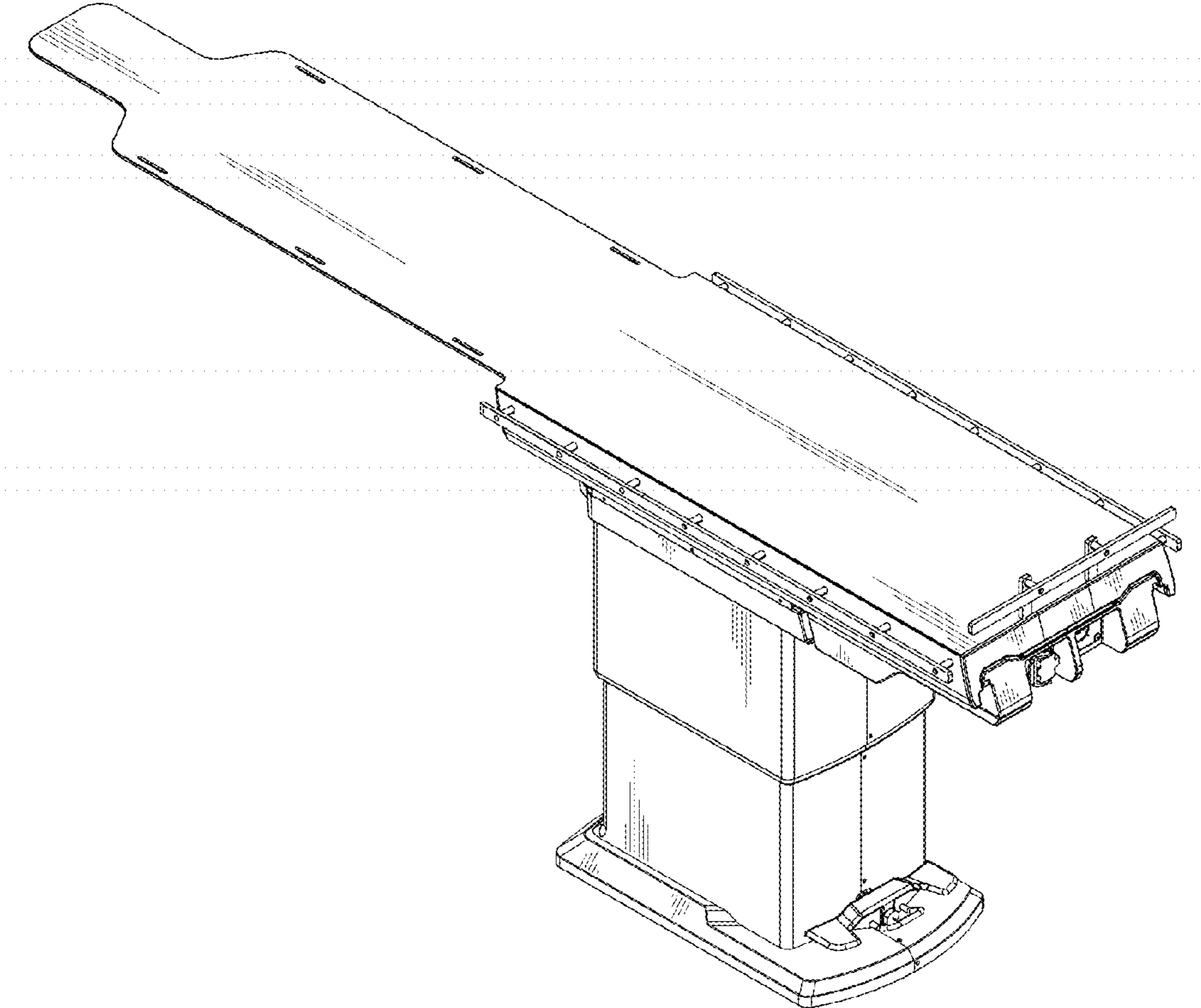


FIG 9

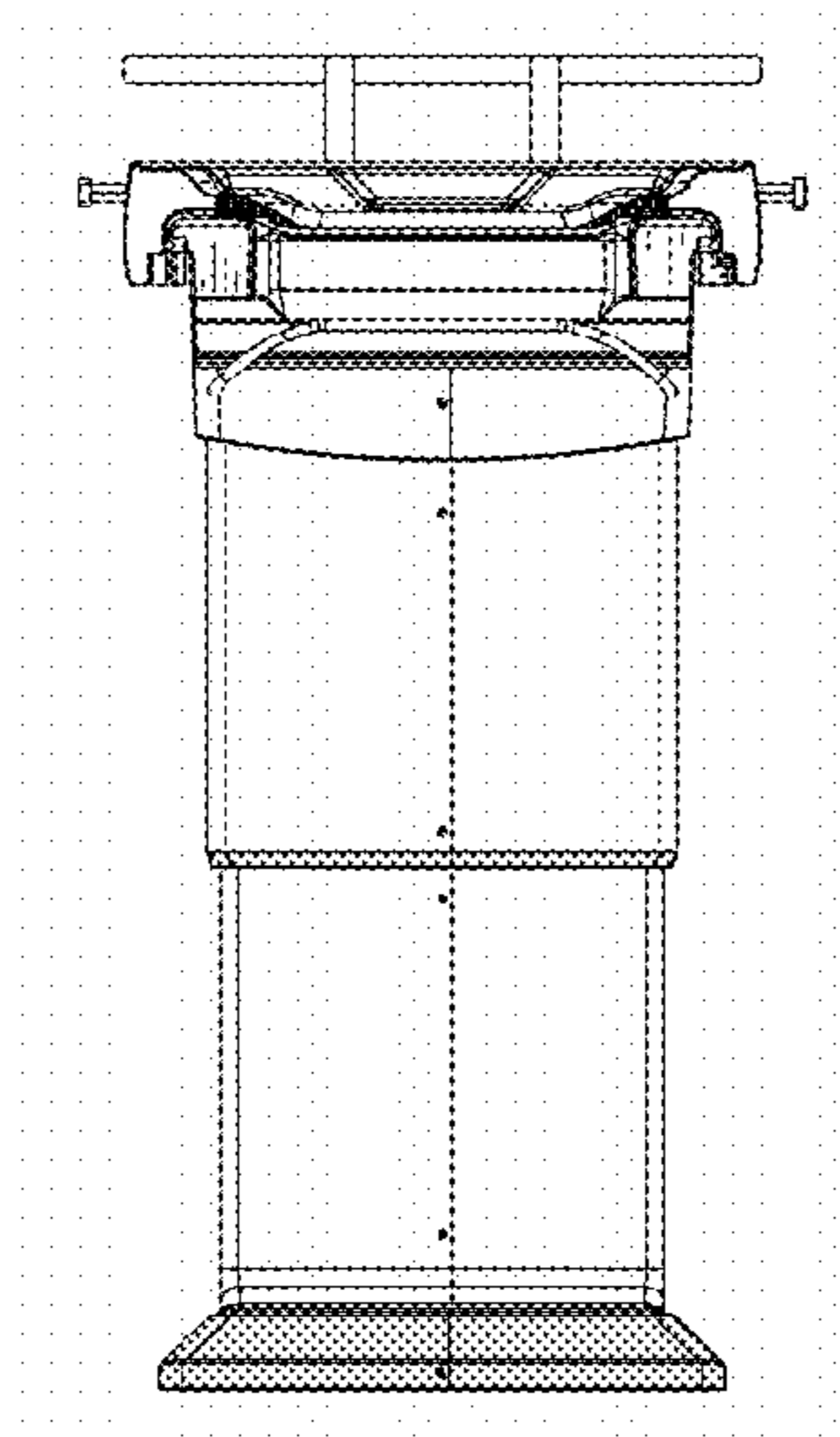


FIG 10

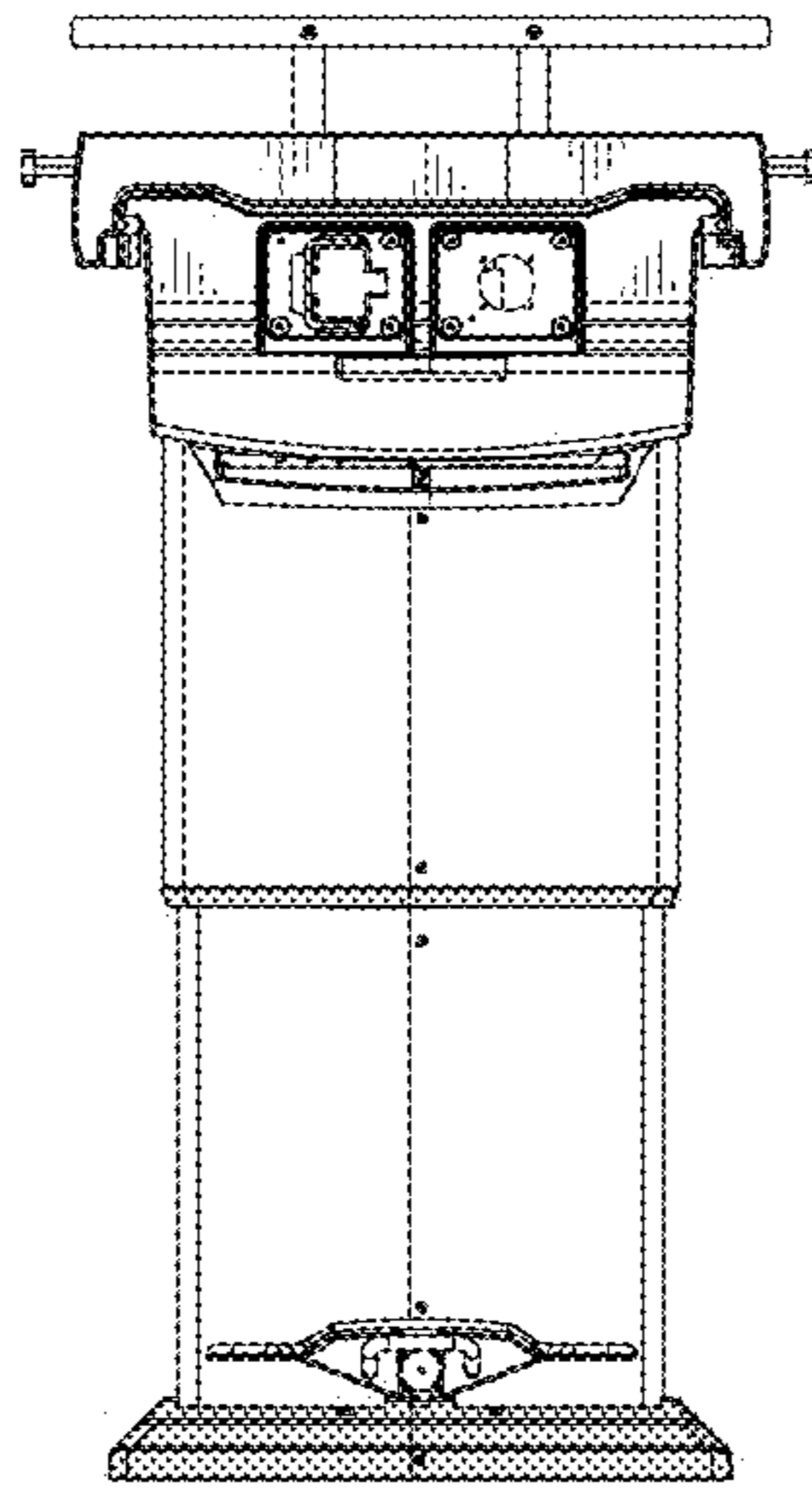


FIG 11

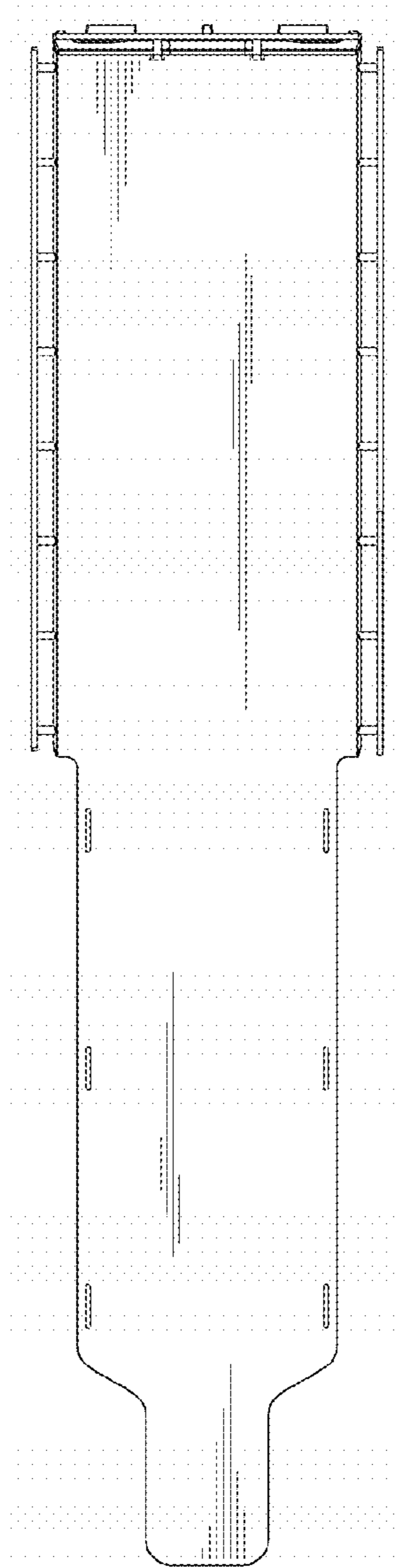


FIG 12

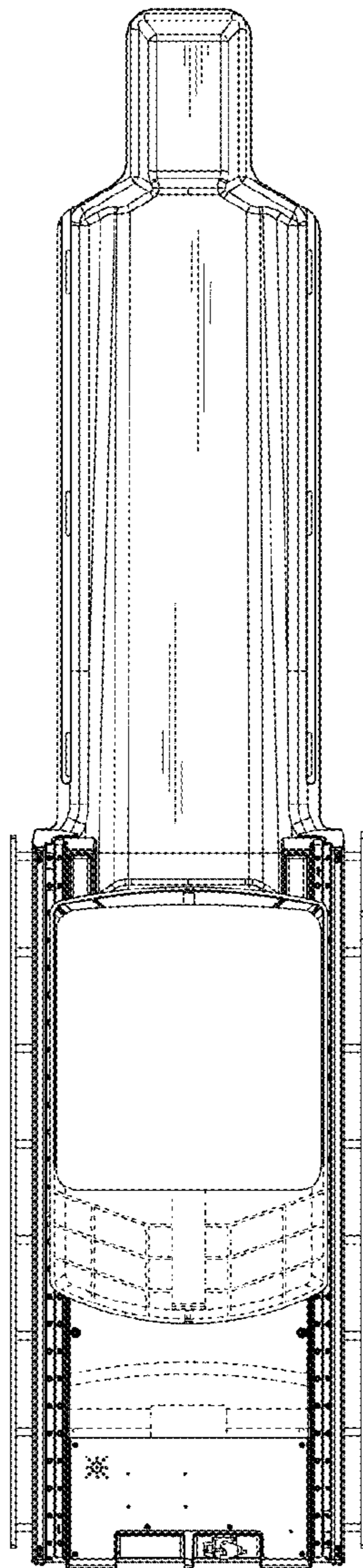


FIG 13

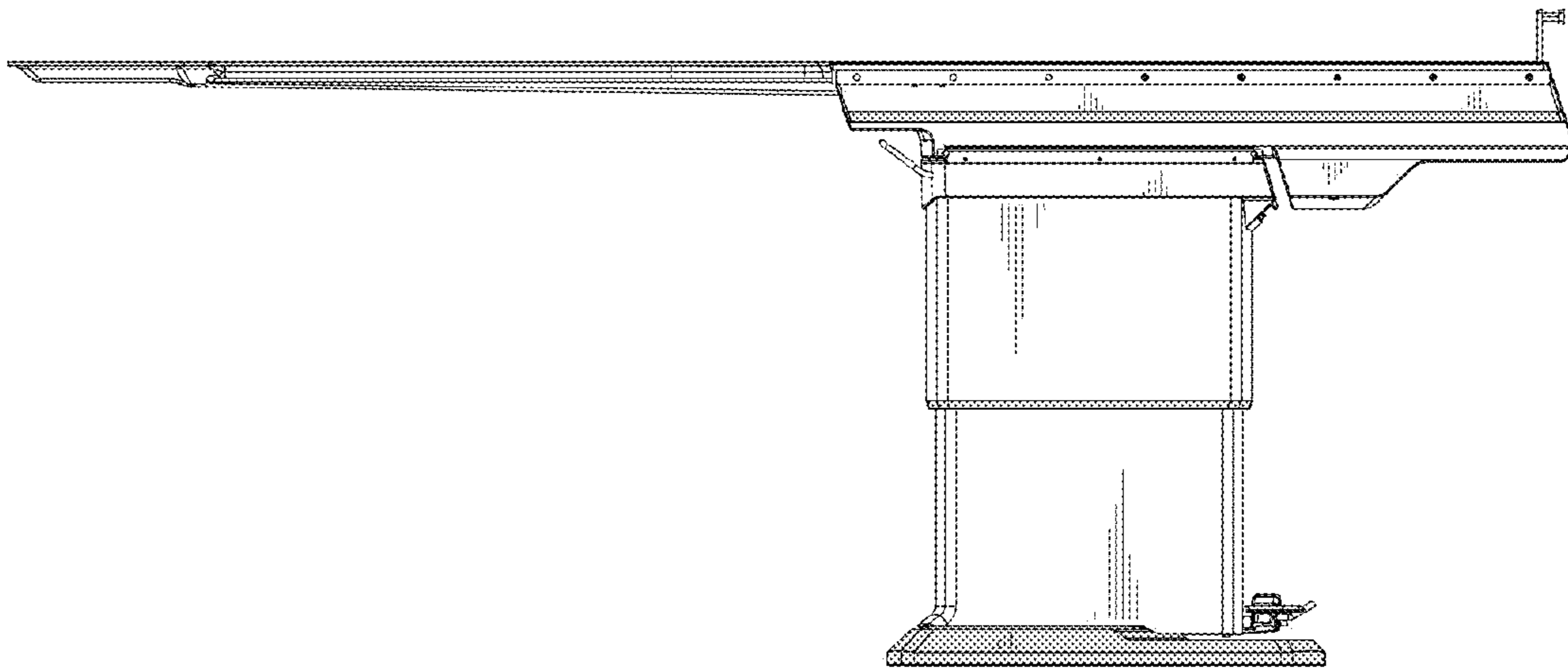


FIG 14

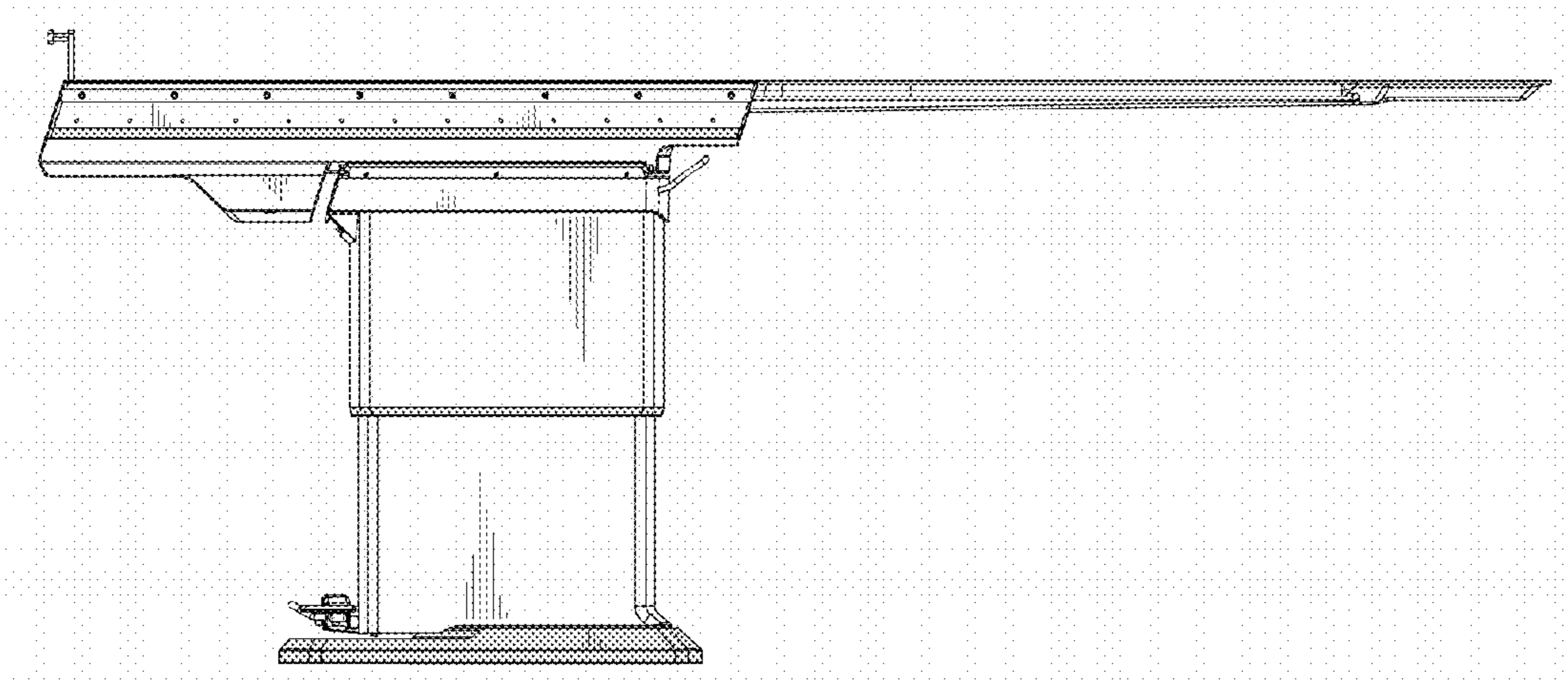


FIG 15

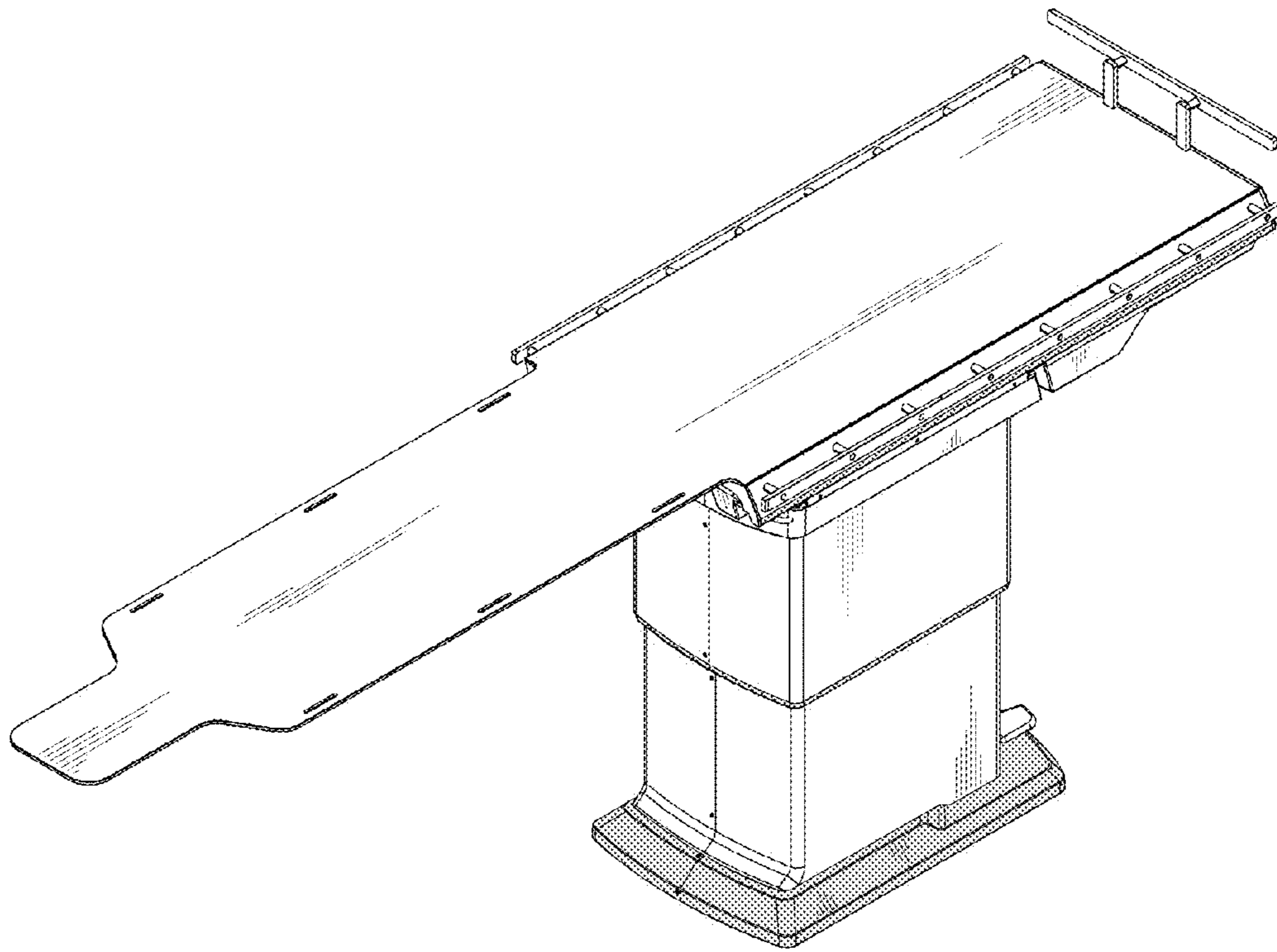


FIG 16

