



US00D735863S

(12) **United States Design Patent**
Doerre et al.

(10) **Patent No.:** **US D735,863 S**
(45) **Date of Patent:** **** Aug. 4, 2015**

(54) **ELECTROMEDICAL APPARATUS**

(71) Applicant: **Siemens Aktiengesellschaft**, Munich (DE)

(72) Inventors: **Helmut Doerre**, Nuremberg (DE);
Markus Rossmeier, Bamberg (DE)

(73) Assignee: **Siemens Aktiengesellschaft**, Munich (DE)

(**) Term: **14 Years**

(21) Appl. No.: **29/487,936**

(22) Filed: **Apr. 14, 2014**

(30) **Foreign Application Priority Data**

Oct. 14, 2013 (EM) 001388284

(51) **LOC (10) Cl.** **24-01**

(52) **U.S. Cl.**
USPC **D24/158**

(58) **Field of Classification Search**
USPC D24/158-161, 185, 186; 378/4, 15, 17,
378/21, 23-27, 62, 68, 196-198; 600/407,
600/409, 410, 415, 421, 422, 425
See application file for complete search history.

(56) **References Cited**

U.S. PATENT DOCUMENTS

D617,906	S *	6/2010	Nakahara et al.	D24/158
D657,875	S *	4/2012	Yanase et al.	D24/158
8,419,276	B2 *	4/2013	Oda et al.	378/198
D690,012	S *	9/2013	Yanase et al.	D24/158
2009/0202038	A1 *	8/2009	Wu et al.	378/198
2013/0136240	A1 *	5/2013	Causape Rodriguez et al.	378/198

* cited by examiner

Primary Examiner — Anhdao Doan
(74) *Attorney, Agent, or Firm* — Brett A. Valiquet

(57) **CLAIM**

The ornamental design for an electromedical apparatus, as shown and described.

DESCRIPTION

The patent or application file contains at least one drawing executed in color. Copies of this patent or patent application publication with color drawing(s) will be provided by the Office upon request and payment of the necessary fee.

FIG. 1 is a front elevational view of a first embodiment of an electromedical apparatus;

FIG. 2 is a rear elevational view of the electromedical apparatus of FIG. 1;

FIG. 3 is a top plan view of the electromedical apparatus of FIG. 1;

FIG. 4 is a bottom plan view of the electromedical apparatus of FIG. 1;

FIG. 5 is a right side elevational view of the electromedical apparatus of FIG. 1;

FIG. 6 is a left side elevational view of the electromedical apparatus of FIG. 1;

FIG. 7 is a perspective view from a direction between the front and left side of the electromedical apparatus of FIG. 1;

FIG. 8 is a front elevational view of a second embodiment of an electromedical apparatus;

FIG. 9 is a rear elevational view of the electromedical apparatus of FIG. 8;

FIG. 10 is a top plan view of the electromedical apparatus of FIG. 8;

FIG. 11 is a bottom plan view of the electromedical apparatus of FIG. 8;

FIG. 12 is a right side elevational view of the electromedical apparatus of FIG. 8;

FIG. 13 is a left side elevational view of the electromedical apparatus of FIG. 8; and,

FIG. 14 is a perspective view from a direction between the front and left side of the electromedical apparatus of FIG. 8. Portions of the electromedical apparatus shown in broken lines form no part of the claimed design.

1 Claim, 14 Drawing Sheets
(5 of 14 Drawing Sheet(s) Filed in Color)

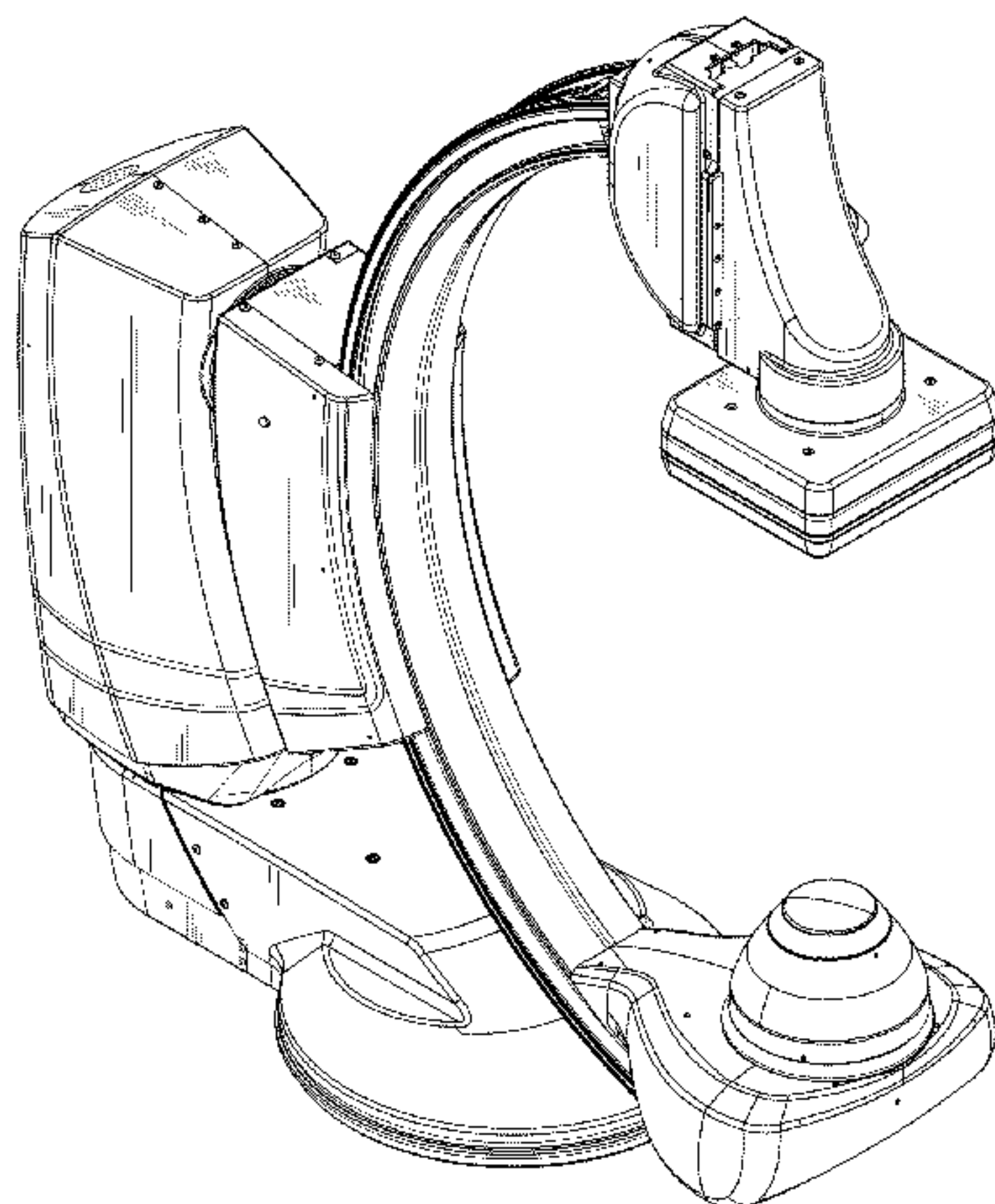


FIG 1

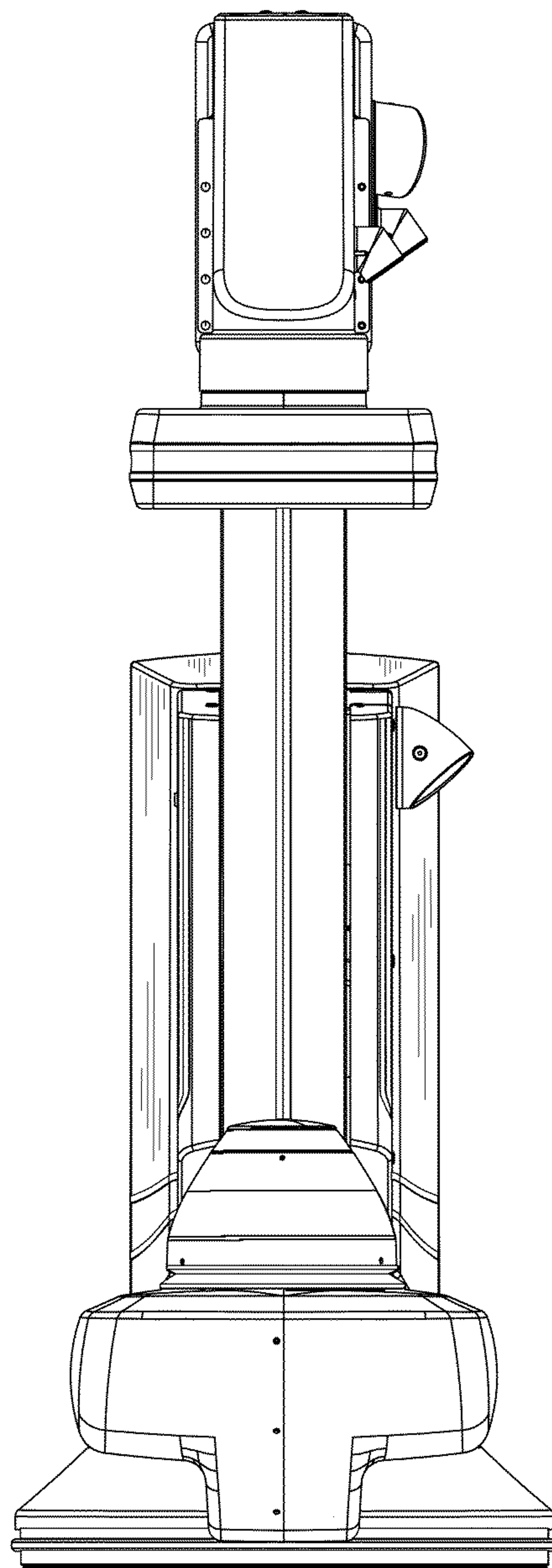


FIG 2

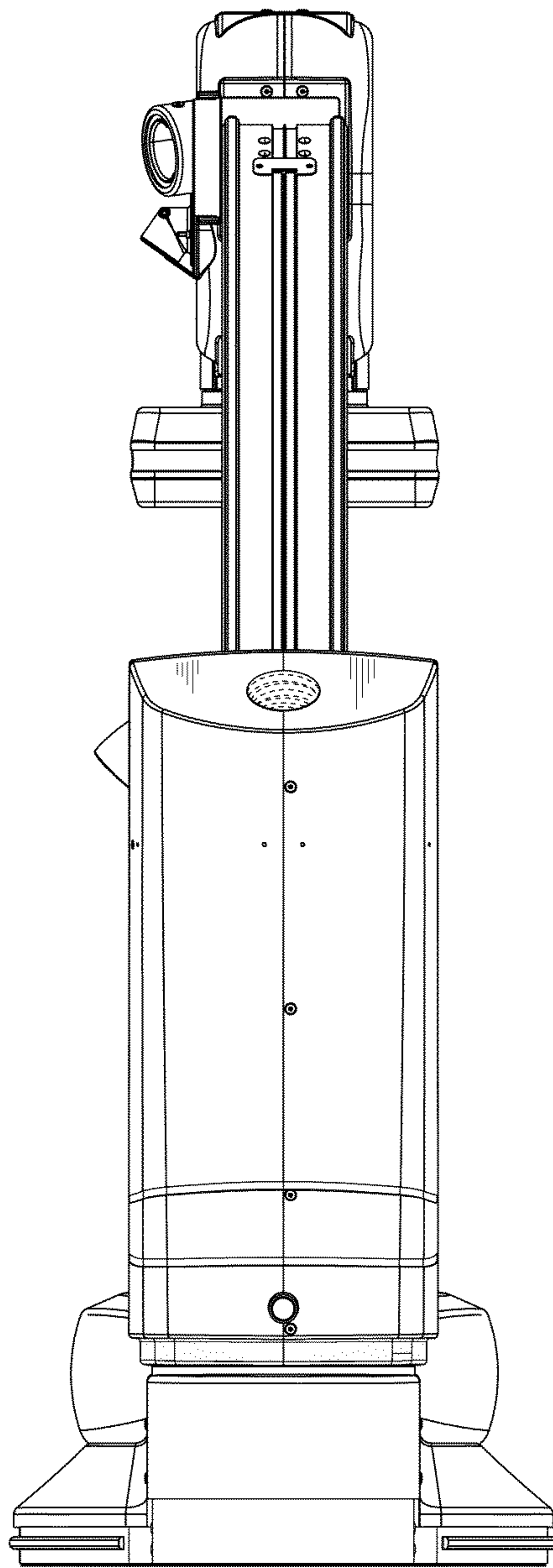


FIG 3

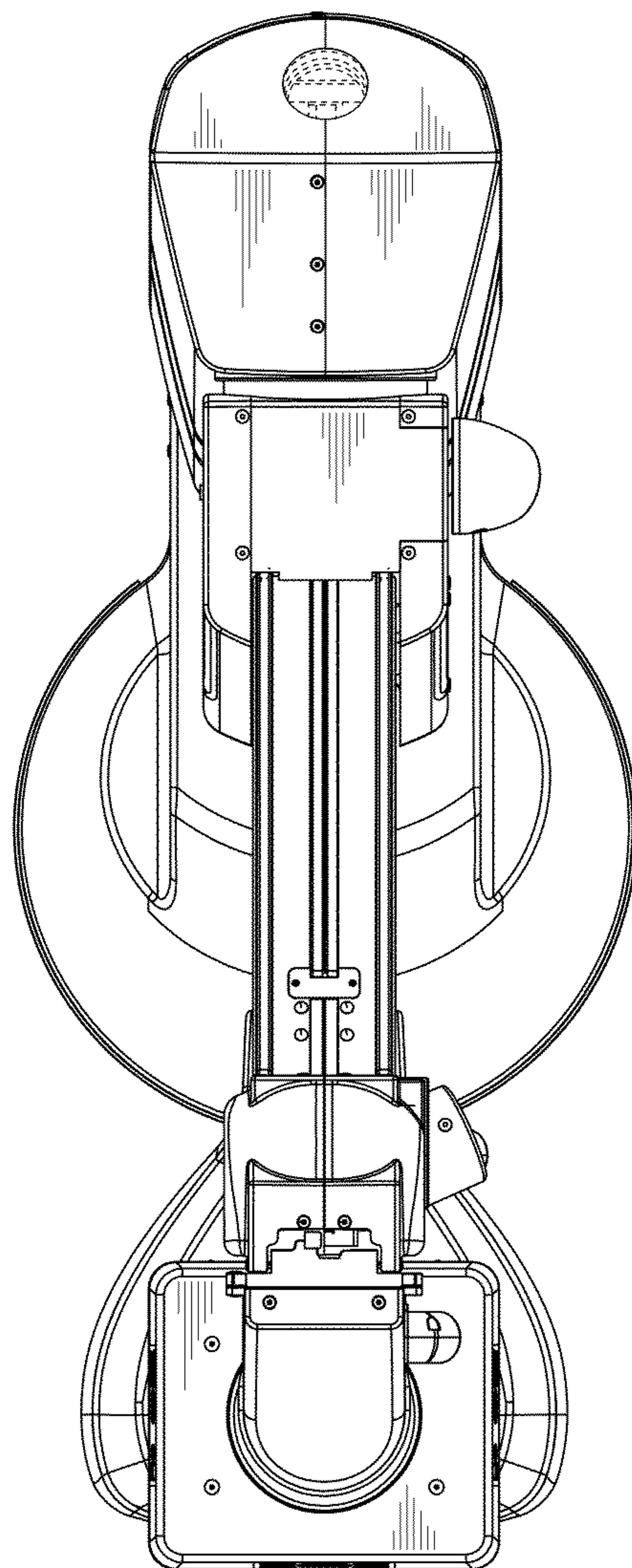


FIG 4

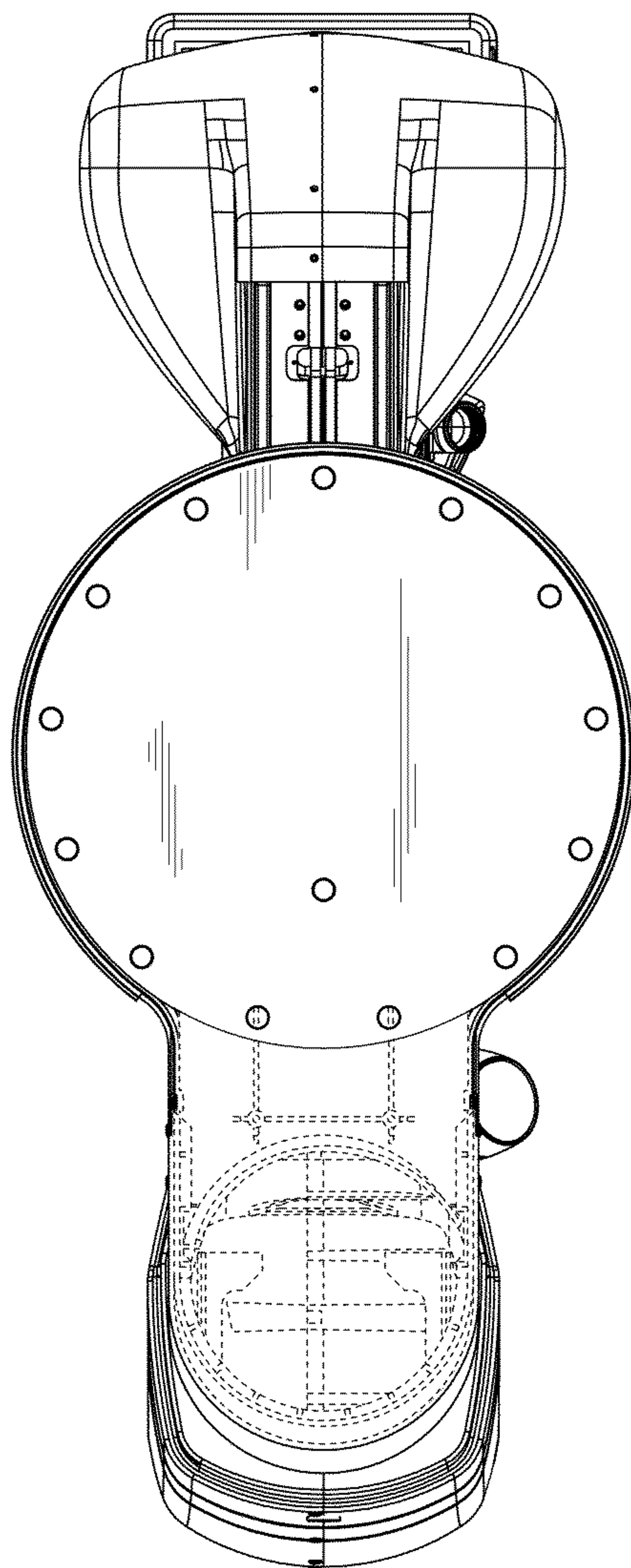


FIG 5

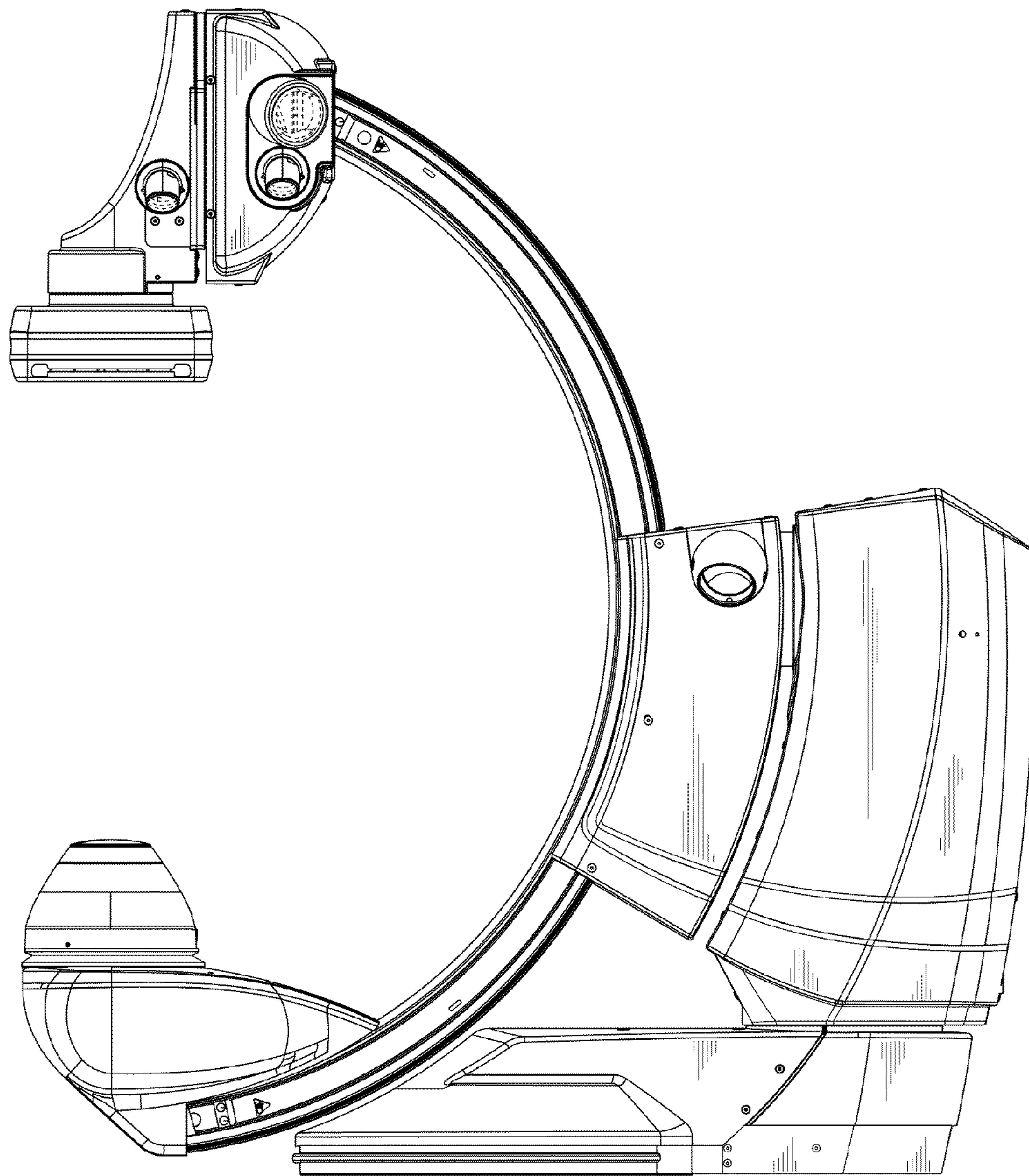


FIG 6

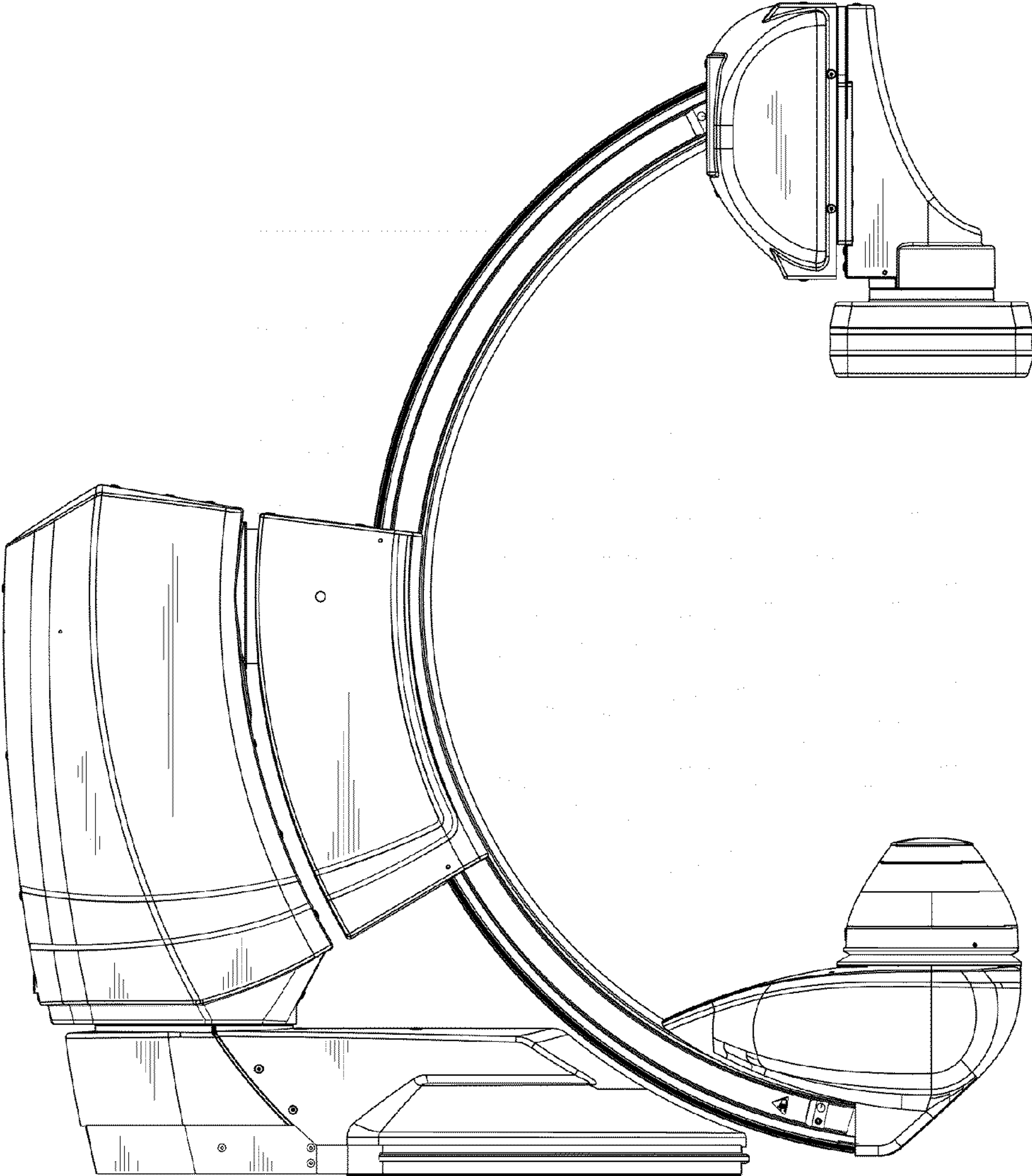


FIG 7

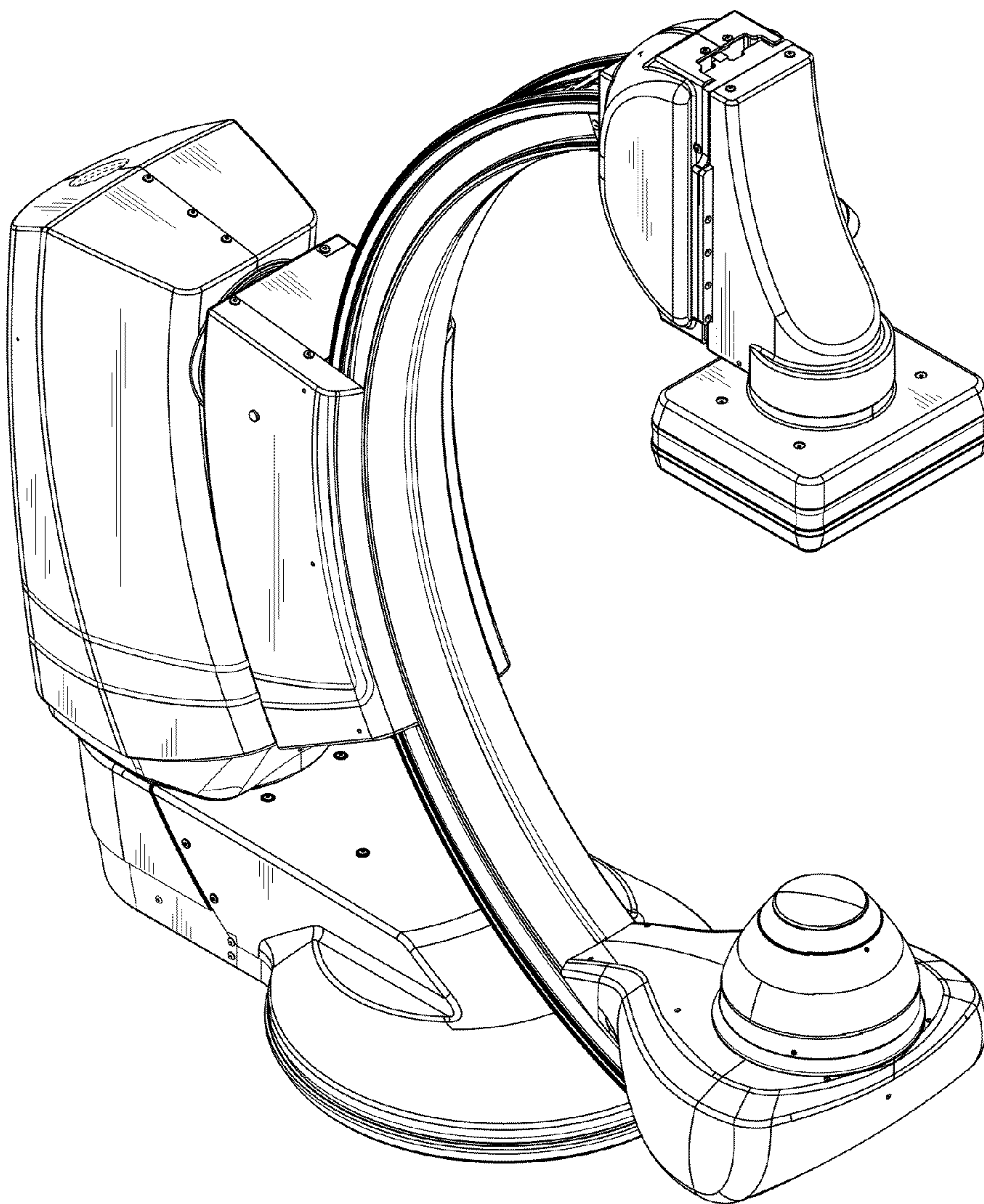


FIG 8

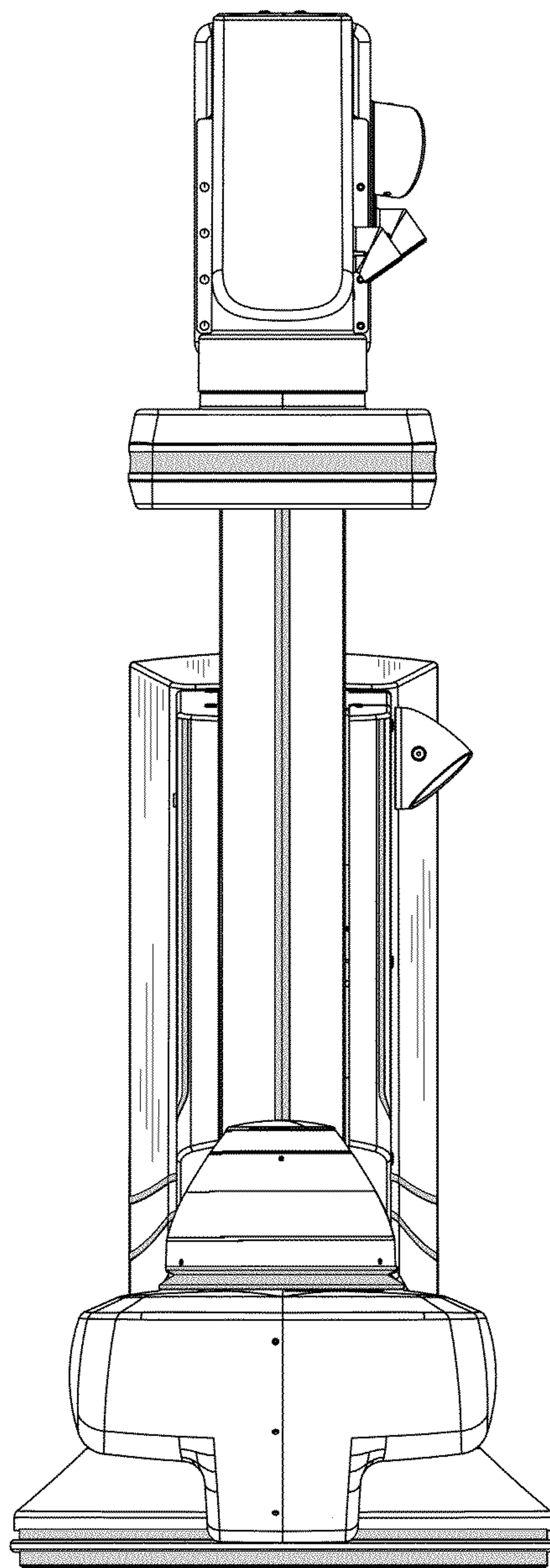


FIG 9

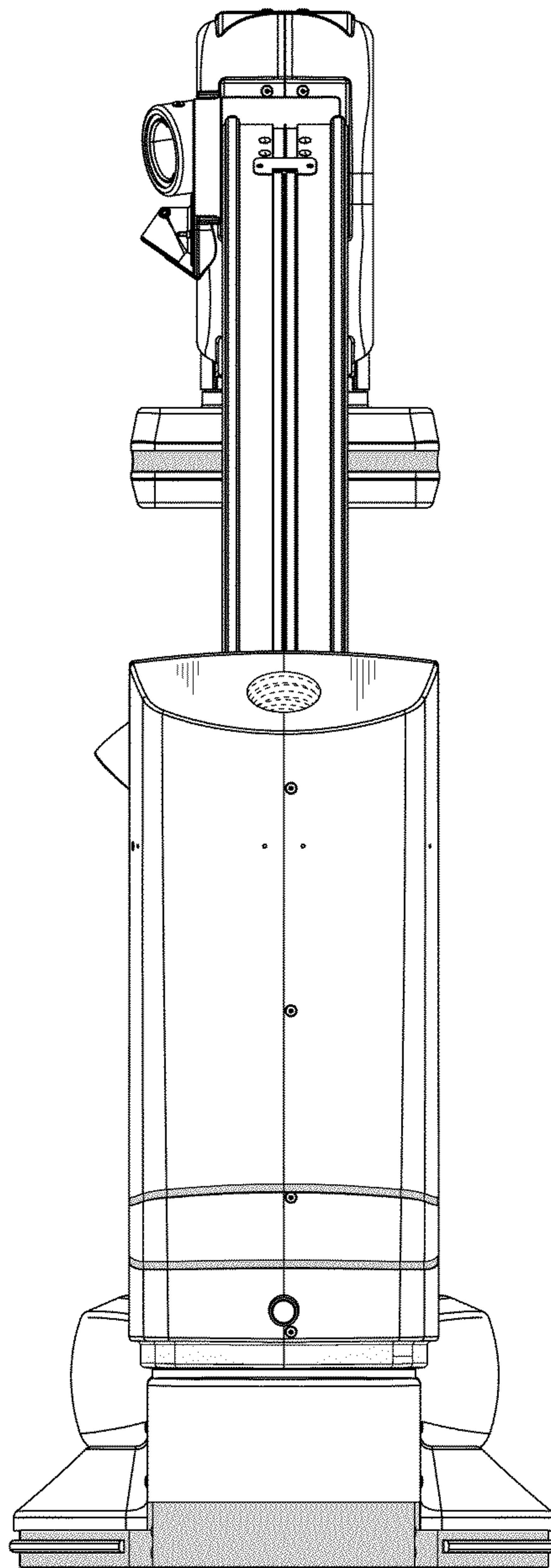


FIG 10

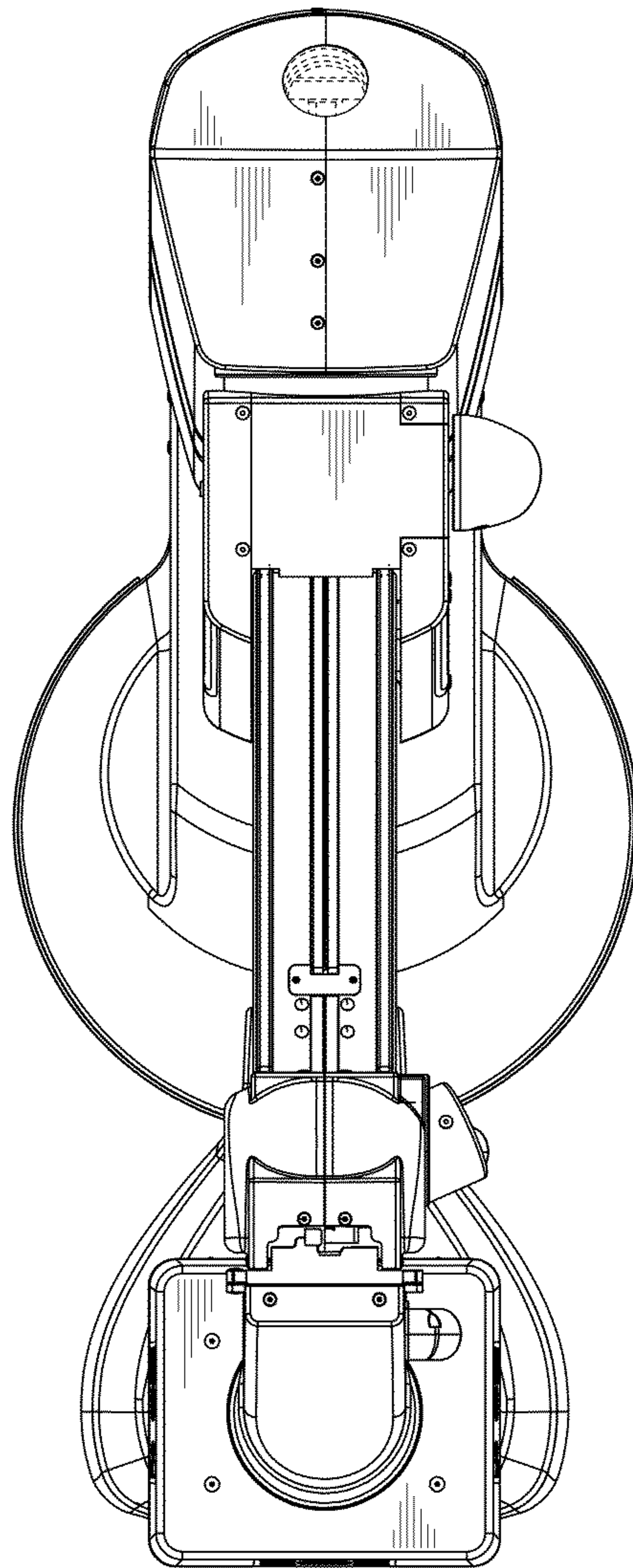


FIG 11

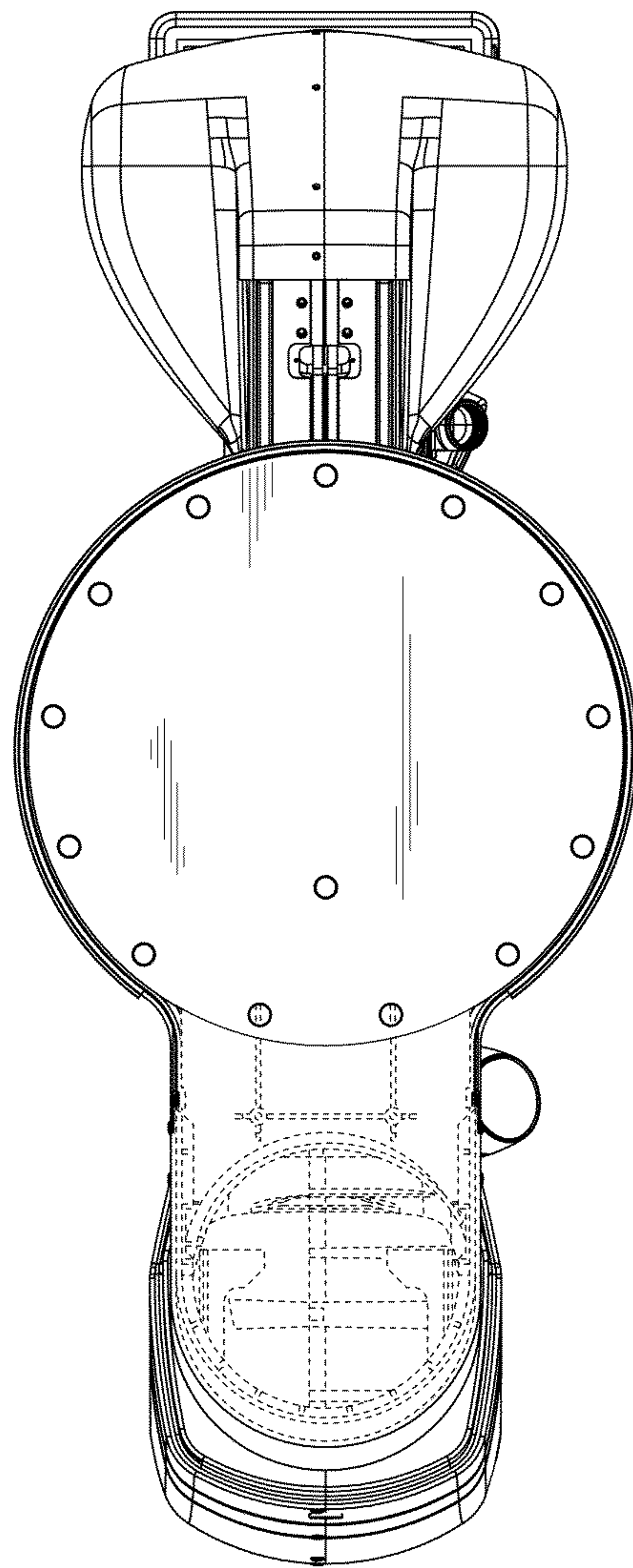


FIG 12

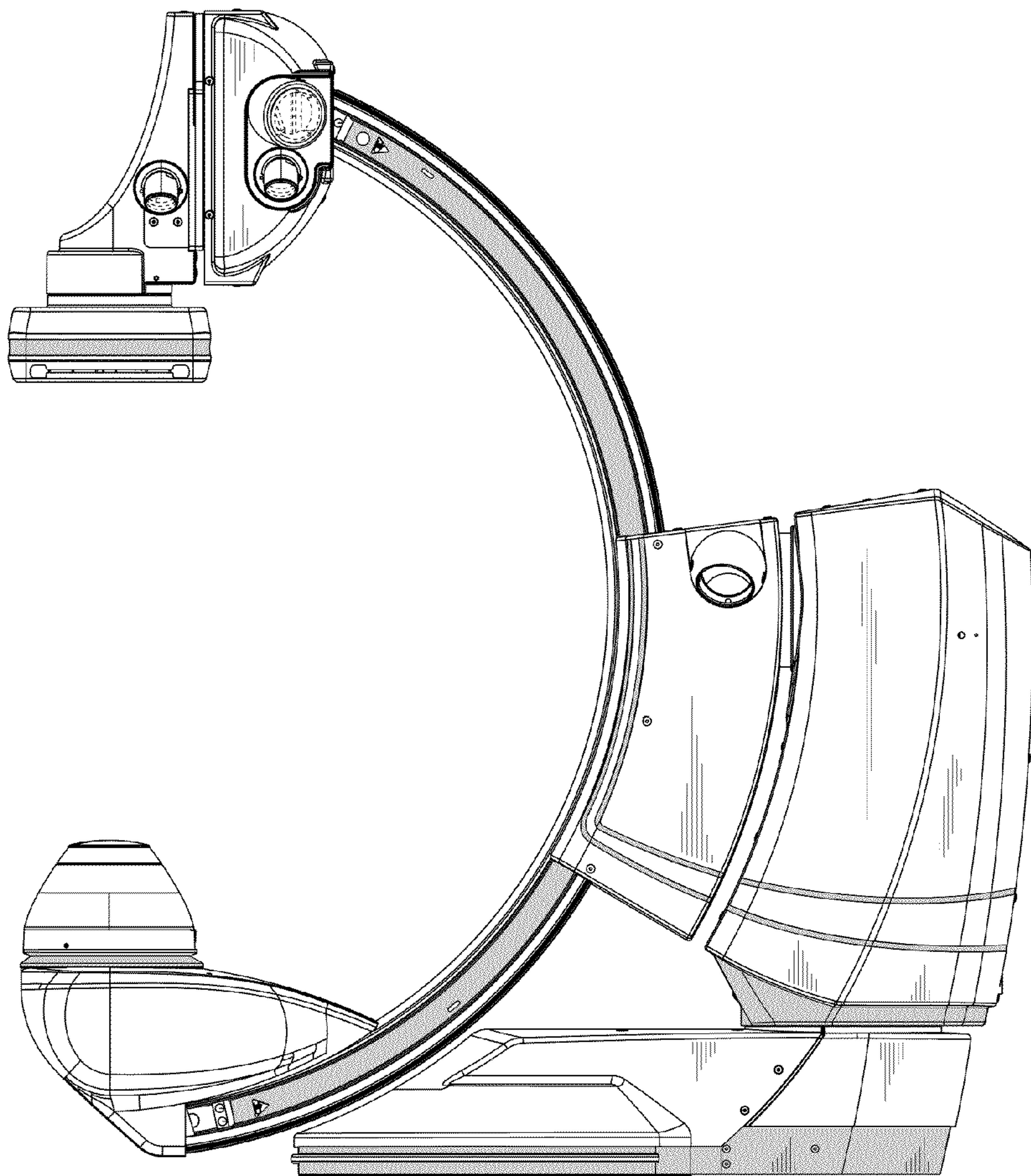


FIG 13

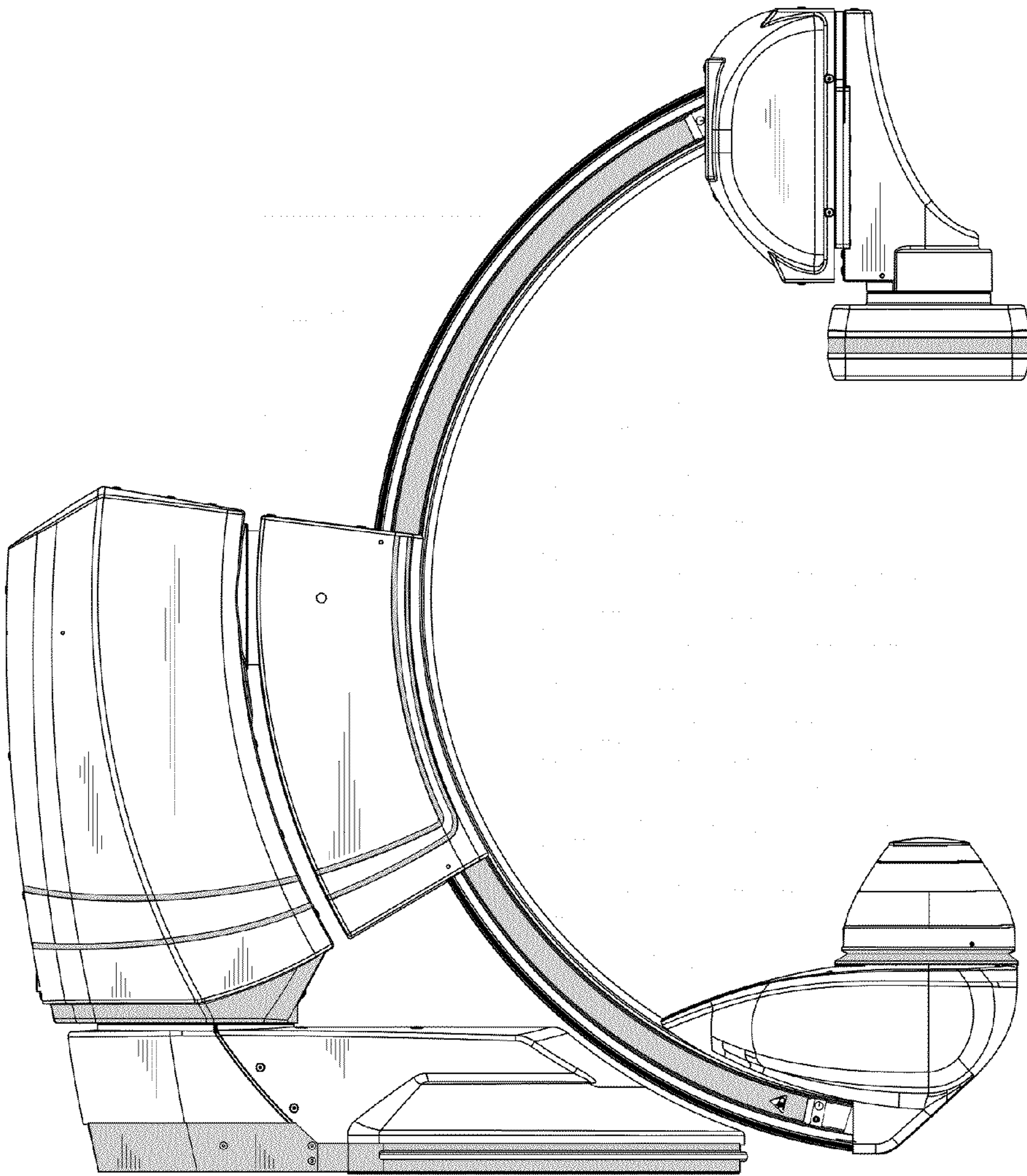


FIG 14

