



US00D735862S

(12) **United States Design Patent**
Noack

(10) **Patent No.:** **US D735,862 S**

(45) **Date of Patent:** **** Aug. 4, 2015**

(54) **PROSTHESIS**

(71) Applicant: **OTTO BOCK HEALTHCARE GMBH**, Duderstadt (DE)

(72) Inventor: **Christian Noack**, Gottingen (DE)

(73) Assignee: **OTTO BOCK HEALTHCARE GMBH**, Duderstadt (DE)

(**) Term: **14 Years**

(21) Appl. No.: **29/495,798**

(22) Filed: **Jul. 3, 2014**

(30) **Foreign Application Priority Data**

Jan. 3, 2014 (EM) 001397392

(51) **LOC (10) Cl.** **24-02**

(52) **U.S. Cl.**
USPC **D24/155**

(58) **Field of Classification Search**
USPC D24/155
CPC A61F 2/80; A61F 2/60; A61F 2/76;
A61F 2/68; A61F 2/64; A61F 2220/0025;
A61F 2220/41; A61F 2202/607; A61F
2202/802; A61F 2002/5007
See application file for complete search history.

(56) **References Cited**

U.S. PATENT DOCUMENTS

D439,339 S * 3/2001 Sawatzki D24/155
D446,304 S * 8/2001 Sawatzki et al. D24/155

D522,142 S * 5/2006 Boiten D24/155
D523,959 S * 6/2006 Muehlenberend D24/155
D525,709 S * 7/2006 Boiten D24/155
D526,062 S * 8/2006 Harn et al. D24/155
D526,412 S * 8/2006 Harn et al. D24/155
D527,458 S * 8/2006 Harn et al. D24/155
D553,741 S * 10/2007 Chen D24/155
D592,749 S * 5/2009 Muhlenberend D24/155
D632,790 S * 2/2011 Cheng D24/155
D702,347 S * 4/2014 Noack D24/155
D702,348 S * 4/2014 Noack D24/155

* cited by examiner

Primary Examiner — Ian Simmons

Assistant Examiner — Charles Hanson

(74) *Attorney, Agent, or Firm* — Holland & Hart

(57) **CLAIM**

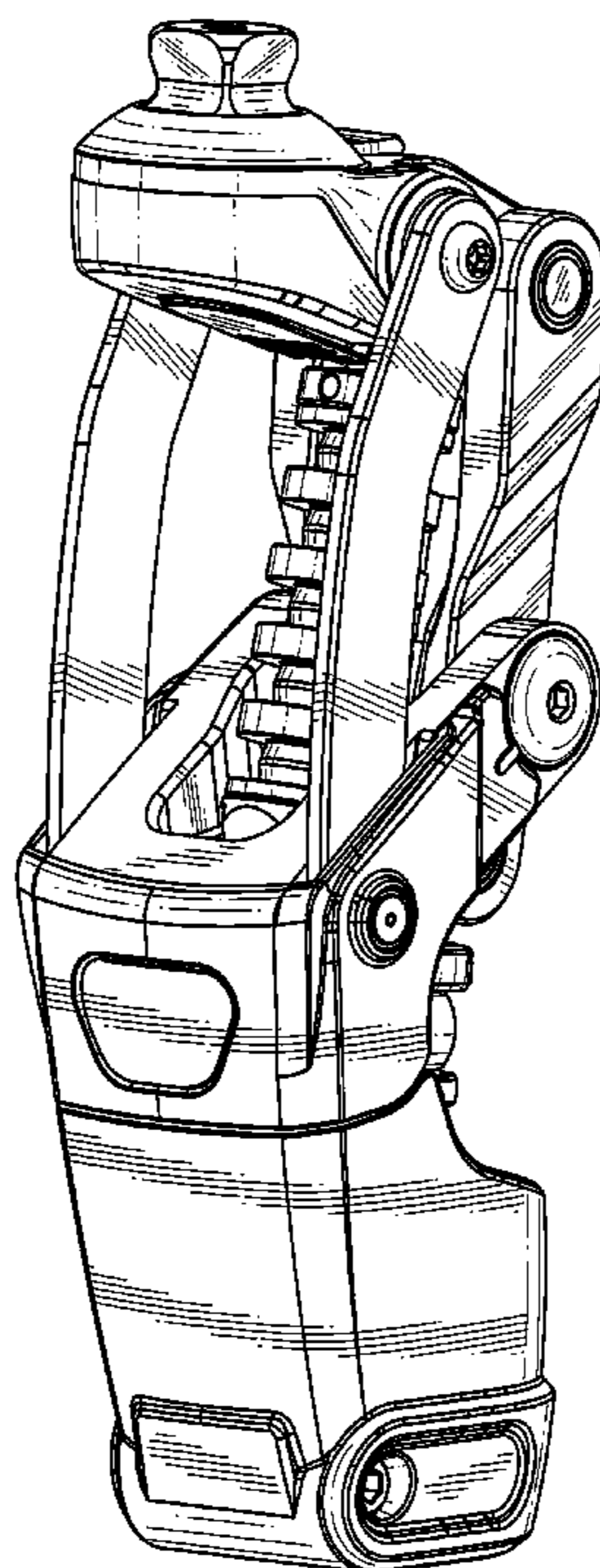
The ornamental design for a prosthesis, as shown and described.

DESCRIPTION

FIG. 1 is a perspective view of a prosthesis according to the present invention;
FIG. 2 is a left side view thereof;
FIG. 3 is a top view thereof;
FIG. 4 is a bottom view thereof;
FIG. 5 is a front view thereof;
FIG. 6 is a right side view thereof; and,
FIG. 7 is a rear view thereof.

The broken lines in the drawing views are included for the purpose of illustrating environment and form no part of the claimed design.

1 Claim, 6 Drawing Sheets



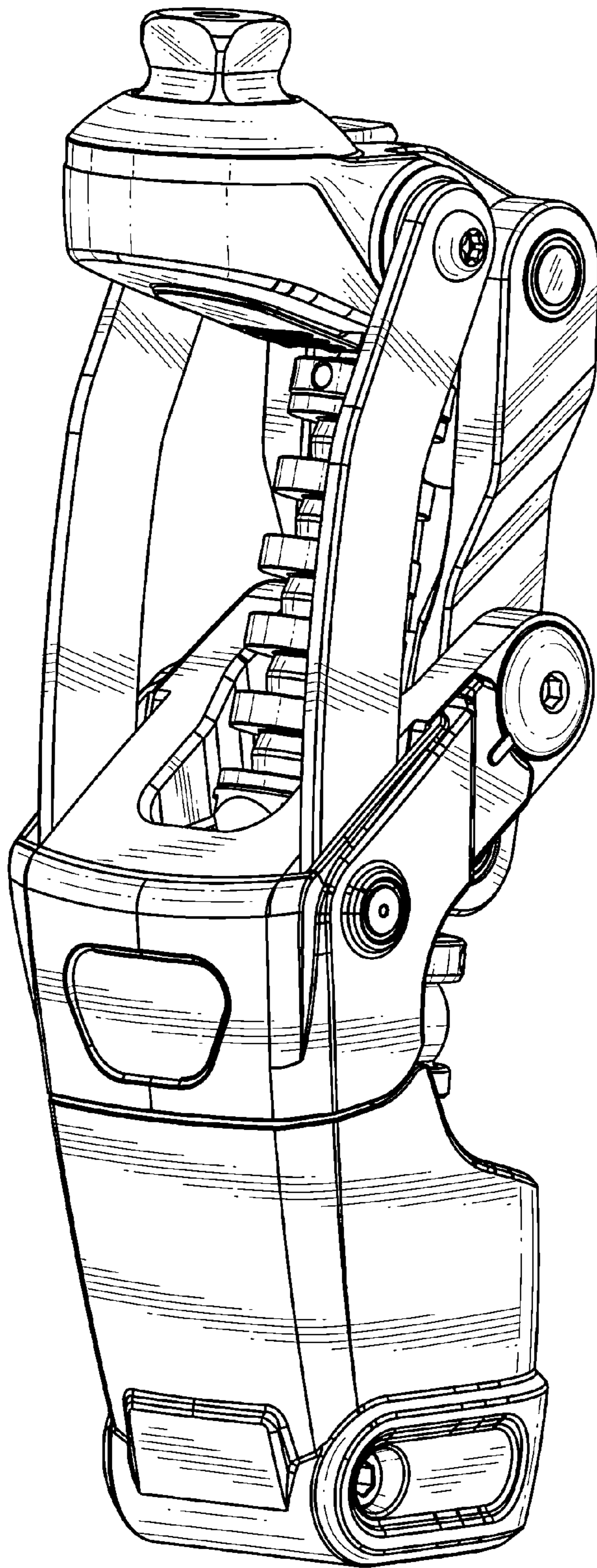


FIG. 1

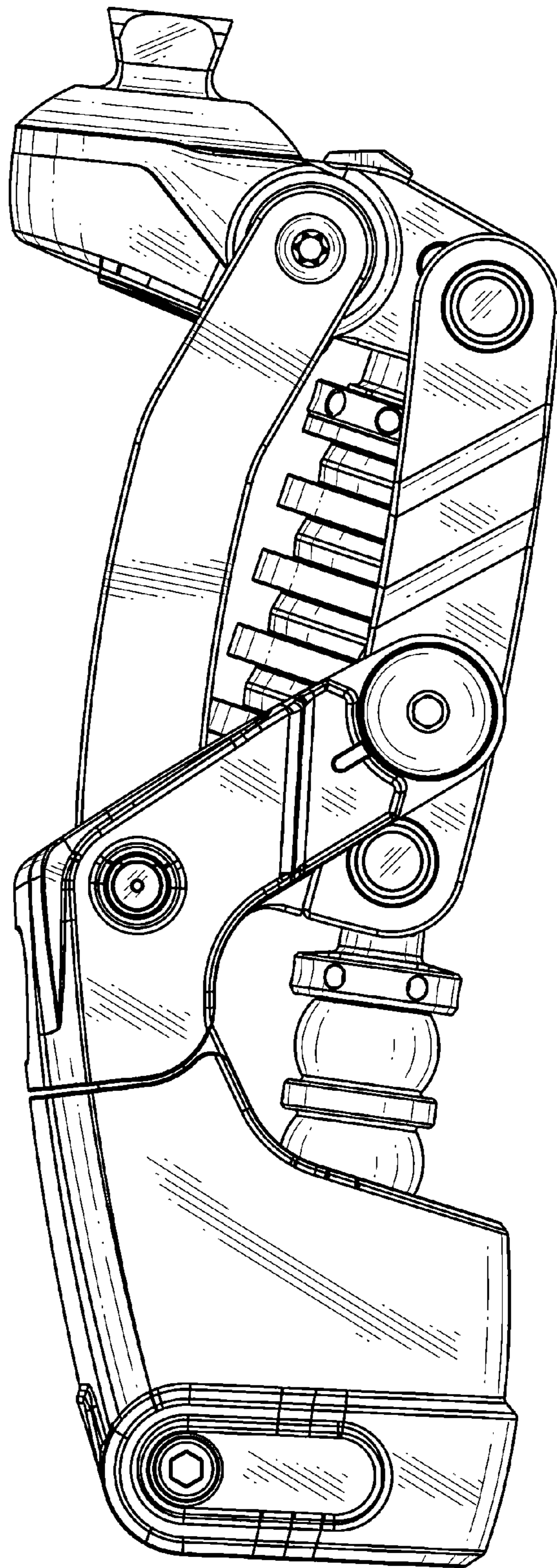


FIG. 2

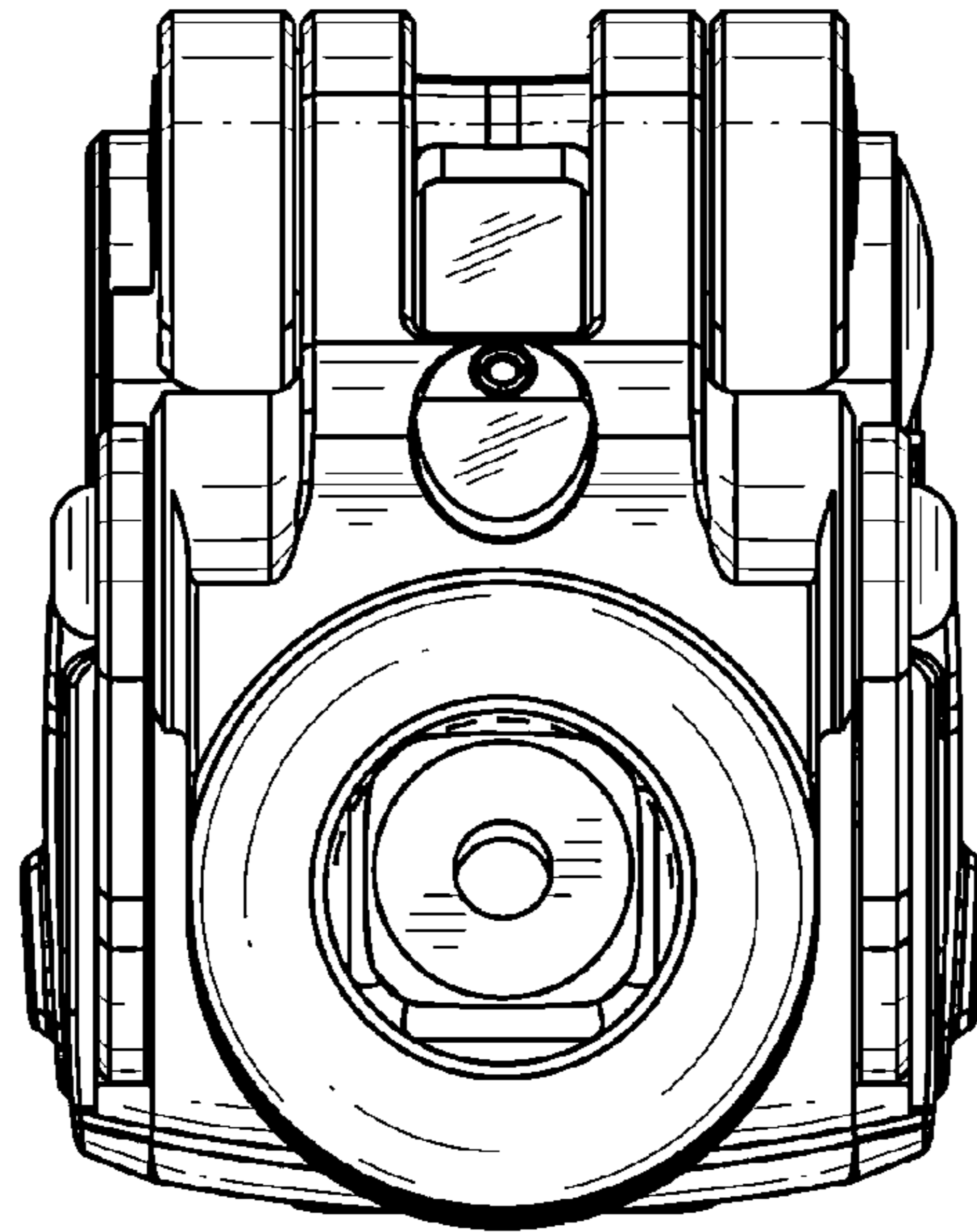


FIG. 3

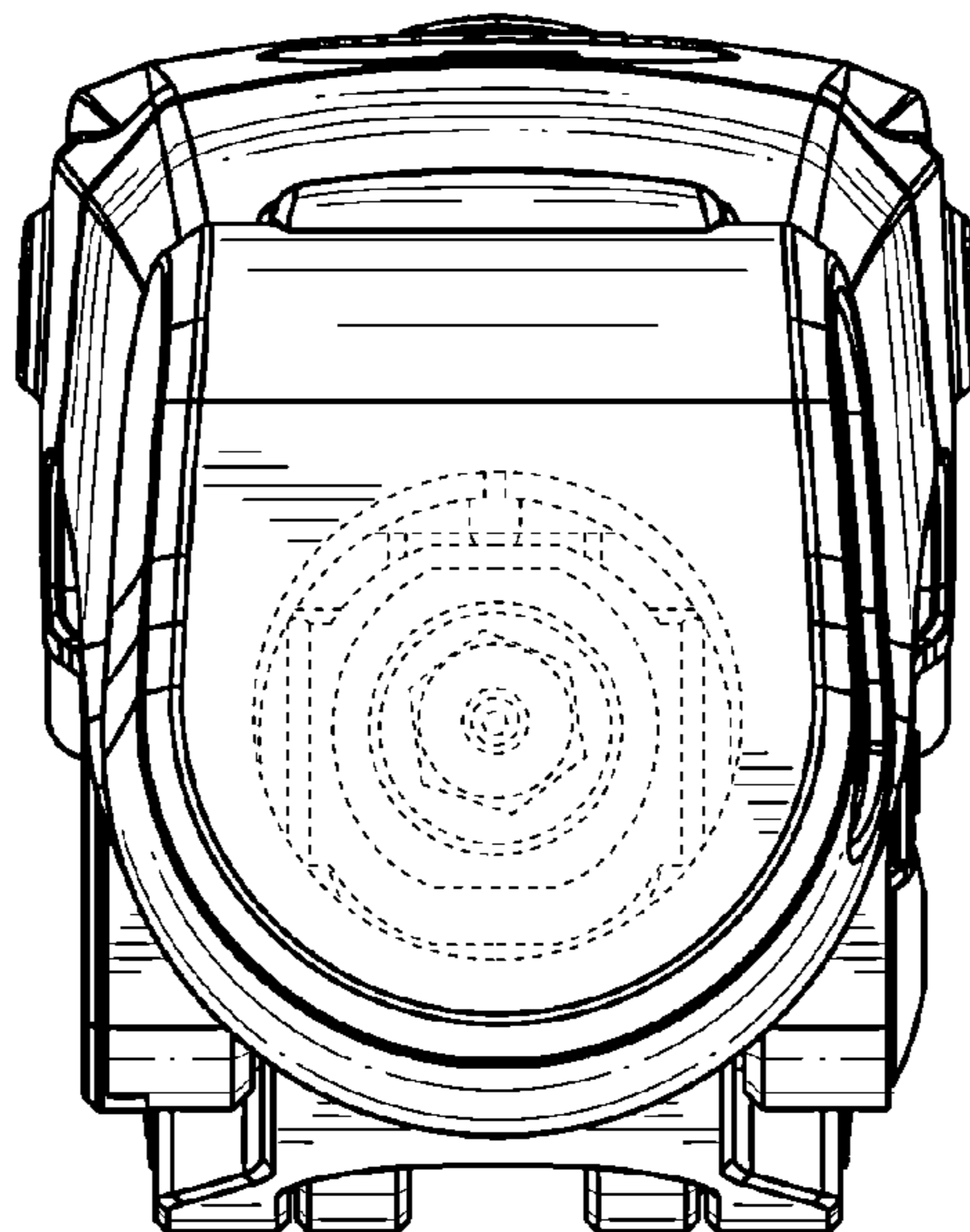


FIG. 4

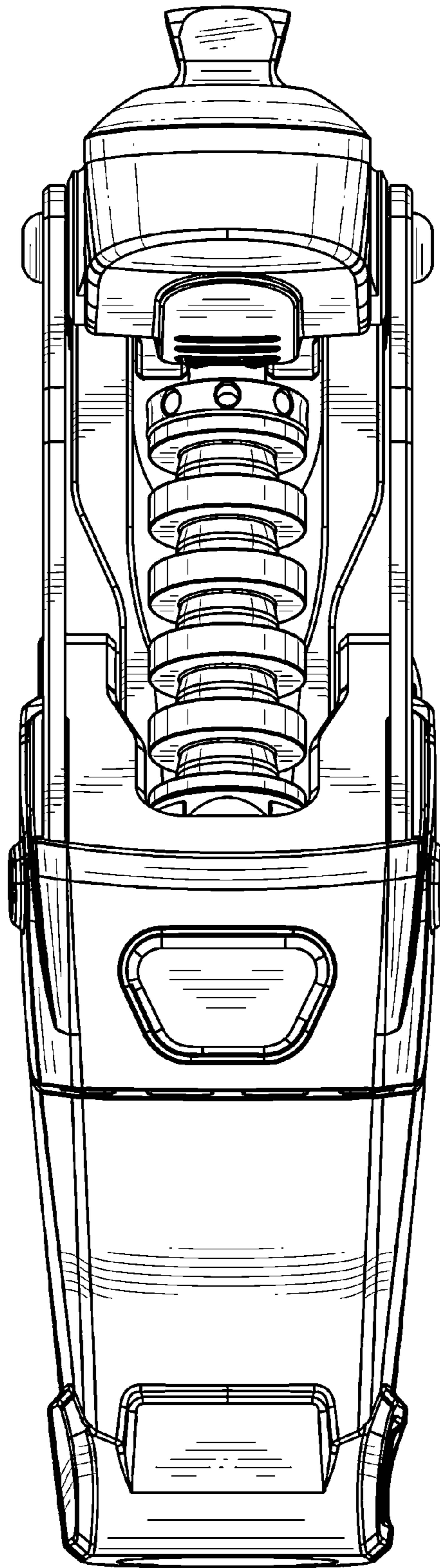


FIG. 5

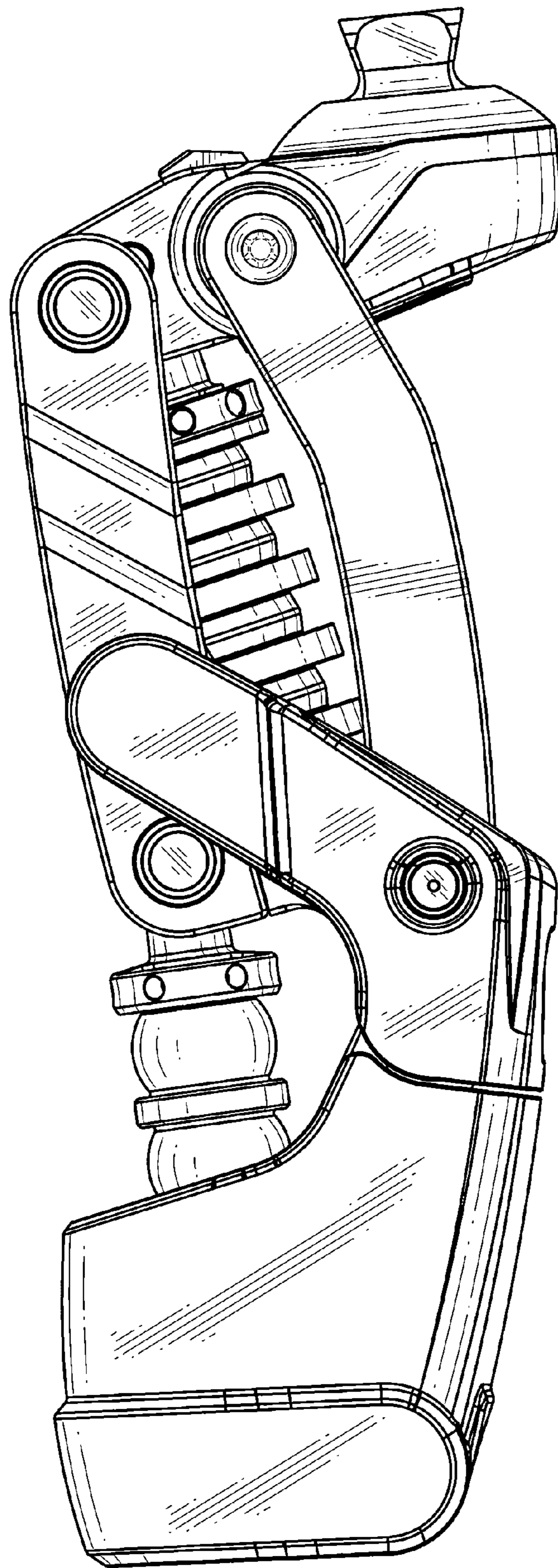


FIG. 6

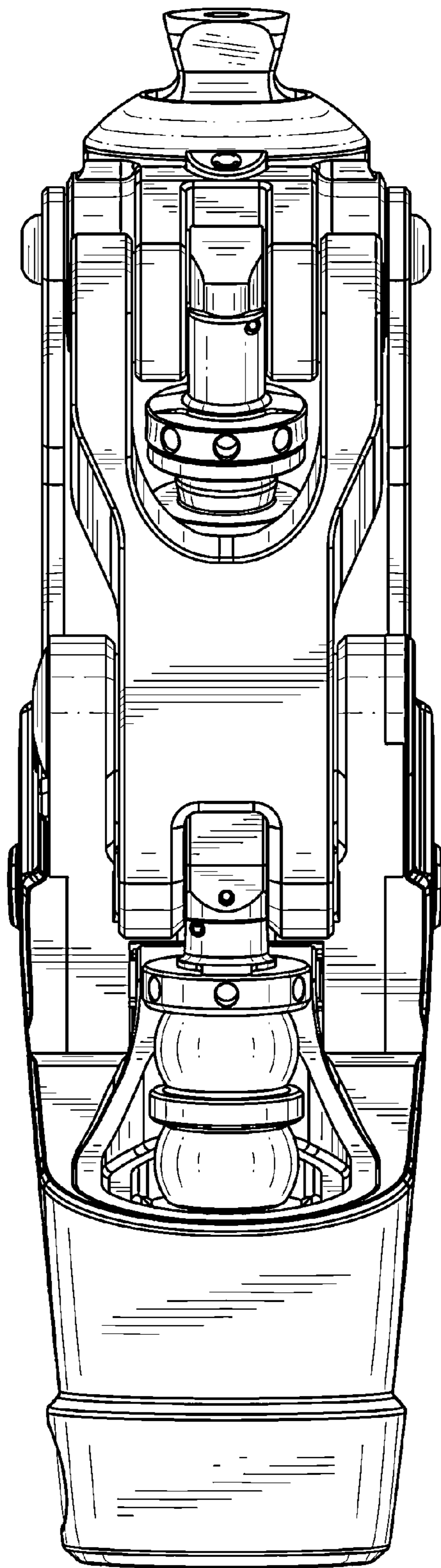


FIG. 7