



US00D735860S

(12) **United States Design Patent**  
**Palinchik et al.**

(10) **Patent No.:** **US D735,860 S**

(45) **Date of Patent:** **\*\* \*Aug. 4, 2015**

(54) **SPINAL FUSION DEVICE**

(71) Applicant: **Alliance Partners LLC**, San Antonio, TX (US)

(72) Inventors: **Jennifer Palinchik**, Avon Lake, OH (US); **Matt Schmidt**, Avon Lake, OH (US)

(73) Assignee: **Alliance Partners, LLC**, San Antonio, TX (US)

(\*) Notice: This patent is subject to a terminal disclaimer.

(\*\*) Term: **14 Years**

(21) Appl. No.: **29/444,088**

(22) Filed: **Jan. 25, 2013**

(51) **LOC (10) Cl.** ..... **24-02**

(52) **U.S. Cl.**  
USPC ..... **D24/155**

(58) **Field of Classification Search**  
USPC ..... D24/155, 133, 135; 623/17.15, 17.16, 623/17.12; 604/500; 606/61  
CPC ..... A61F 2/4611; A61F 2/442; A61F 2220/0025; A61F 2310/00023; A61F 2002/30841; A61F 2002/2835; A61F 2002/30904; A61F 2/447

See application file for complete search history.

(56) **References Cited**

U.S. PATENT DOCUMENTS

7,226,480	B2 *	6/2007	Thalgott	.....	623/17.11
7,238,203	B2 *	7/2007	Bagga et al.	.....	623/17.11
D580,551	S *	11/2008	Cohen	.....	D24/155
7,491,237	B2 *	2/2009	Randall et al.	.....	623/17.11
7,637,950	B2 *	12/2009	Baccelli et al.	.....	623/17.11
D619,255	S *	7/2010	Richter et al.	.....	D24/155
D620,111	S *	7/2010	Courtney et al.	.....	D24/155
D623,747	S *	9/2010	Horton	.....	D24/155
D623,750	S *	9/2010	Duffield et al.	.....	D24/155
D627,466	S *	11/2010	Courtney et al.	.....	D24/155
D653,756	S *	2/2012	Courtney et al.	.....	D24/155
D681,204	S *	4/2013	Farris et al.	.....	D24/155
D682,427	S *	5/2013	Farris et al.	.....	D24/155

\* cited by examiner

*Primary Examiner* — Ian Simmons

*Assistant Examiner* — Charles Hanson

(74) *Attorney, Agent, or Firm* — Greenberg Traurig, LLP; Ross Spencer Garsson

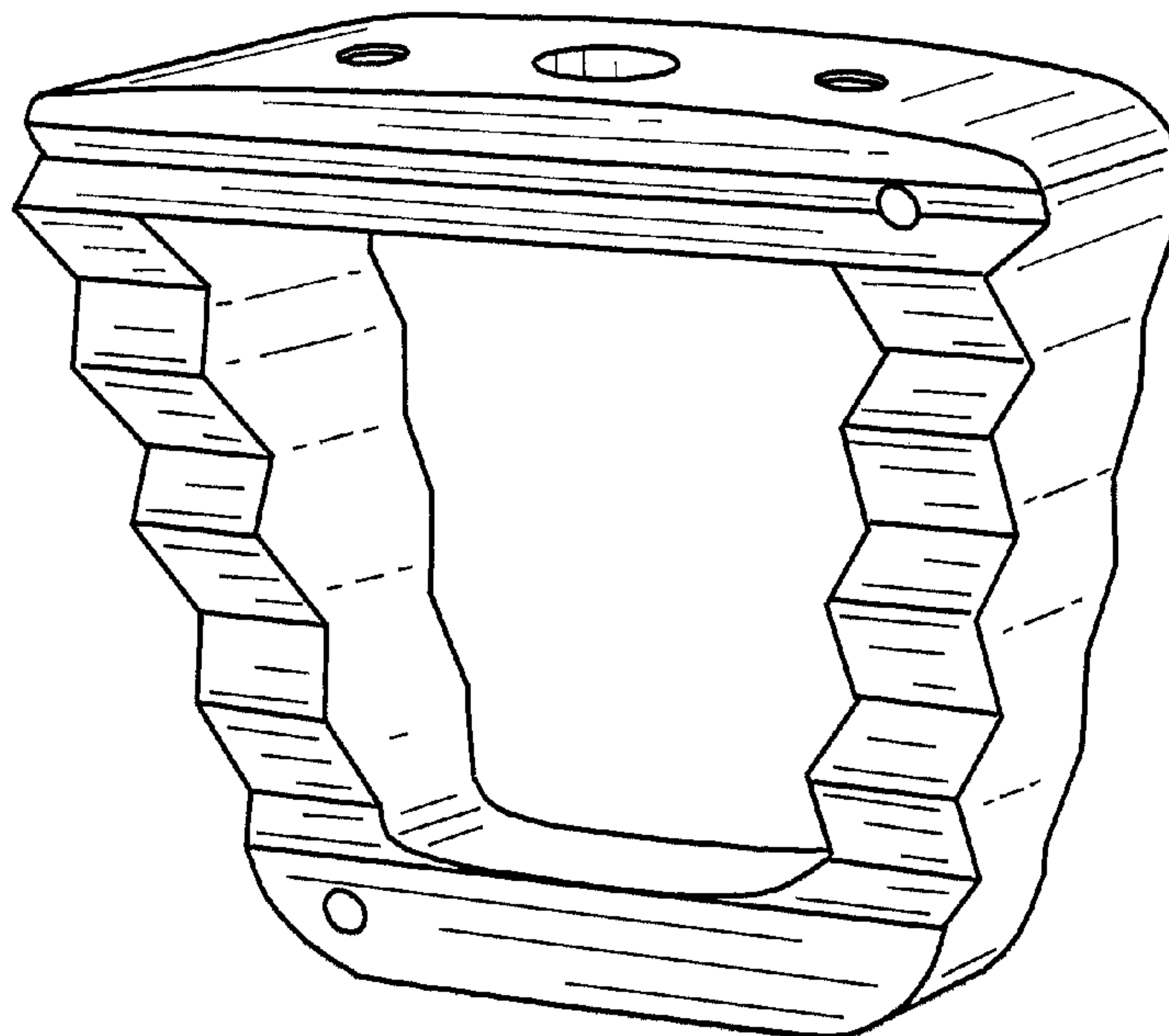
(57) **CLAIM**

The ornamental design for a spinal fusion device, as shown and described.

**DESCRIPTION**

FIG. 1 is a top perspective view of the spinal fusion device according to our design;  
FIG. 2 is a bottom perspective view thereof;  
FIG. 3 is a front view thereof;  
FIG. 4 is a right side view thereof;  
FIG. 5 is a bottom view thereof;  
FIG. 6 is a left-side view thereof;  
FIG. 7 is a rear view thereof; and,  
FIG. 8 is a top view thereof.

**1 Claim, 3 Drawing Sheets**



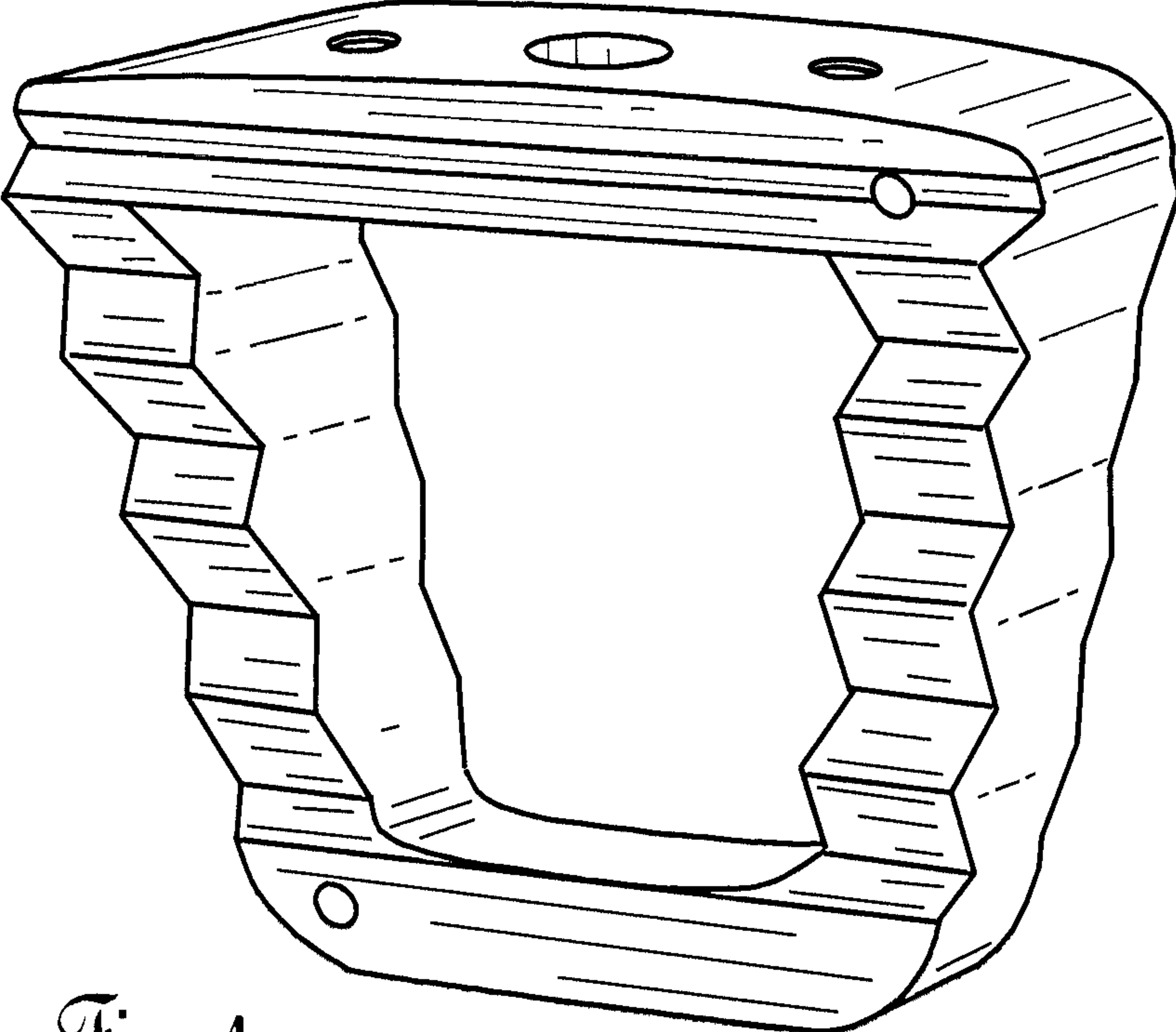


Fig. 1

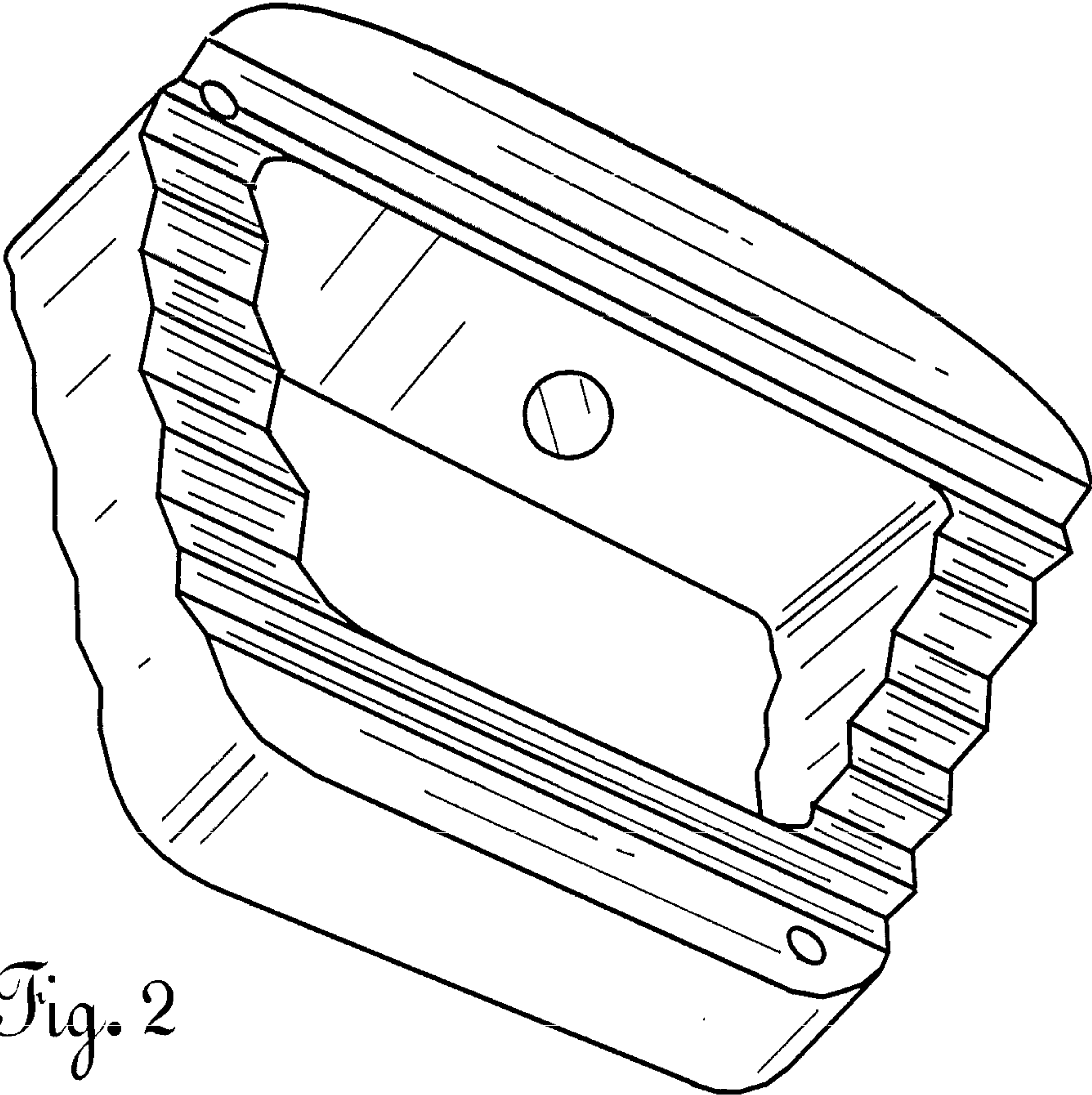


Fig. 2

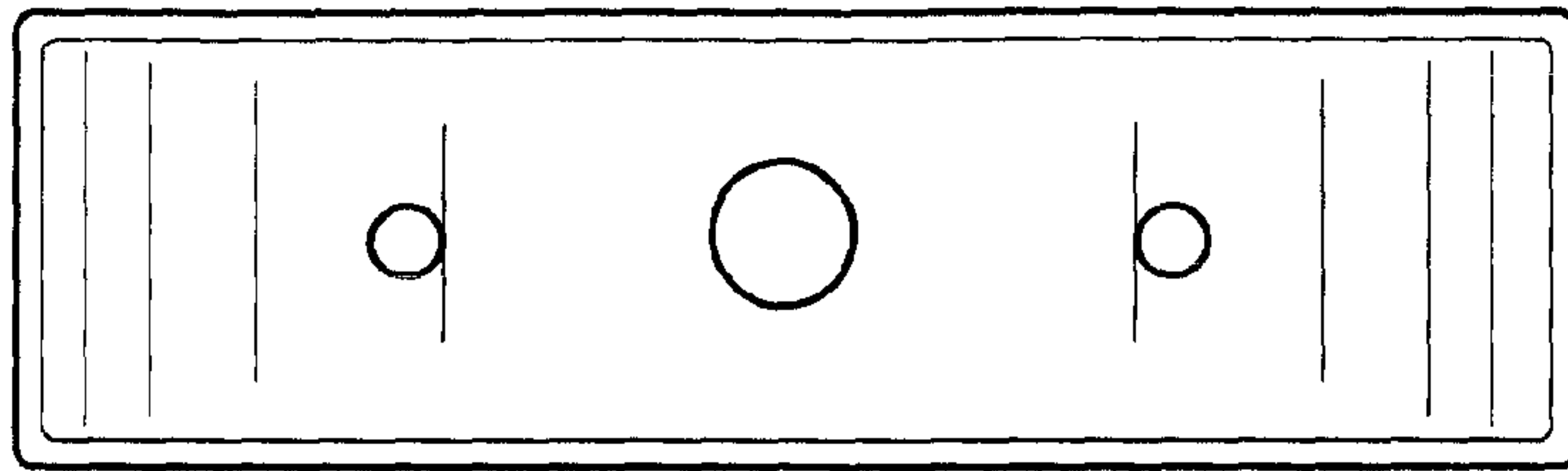


Fig. 3

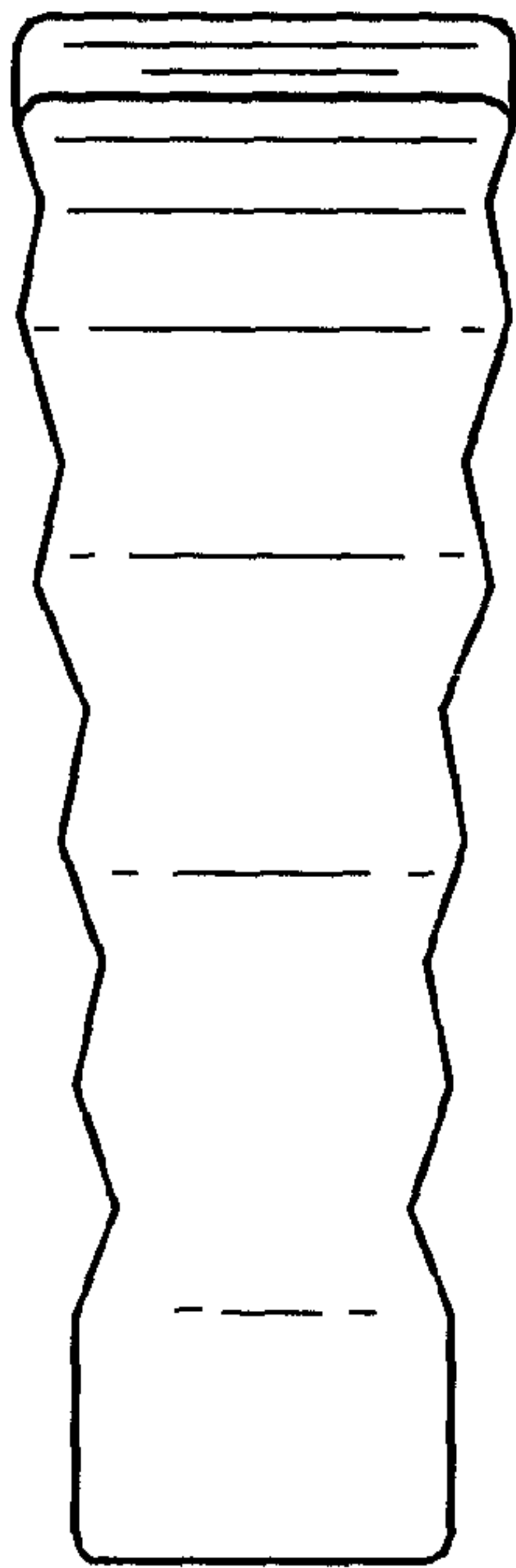


Fig. 4

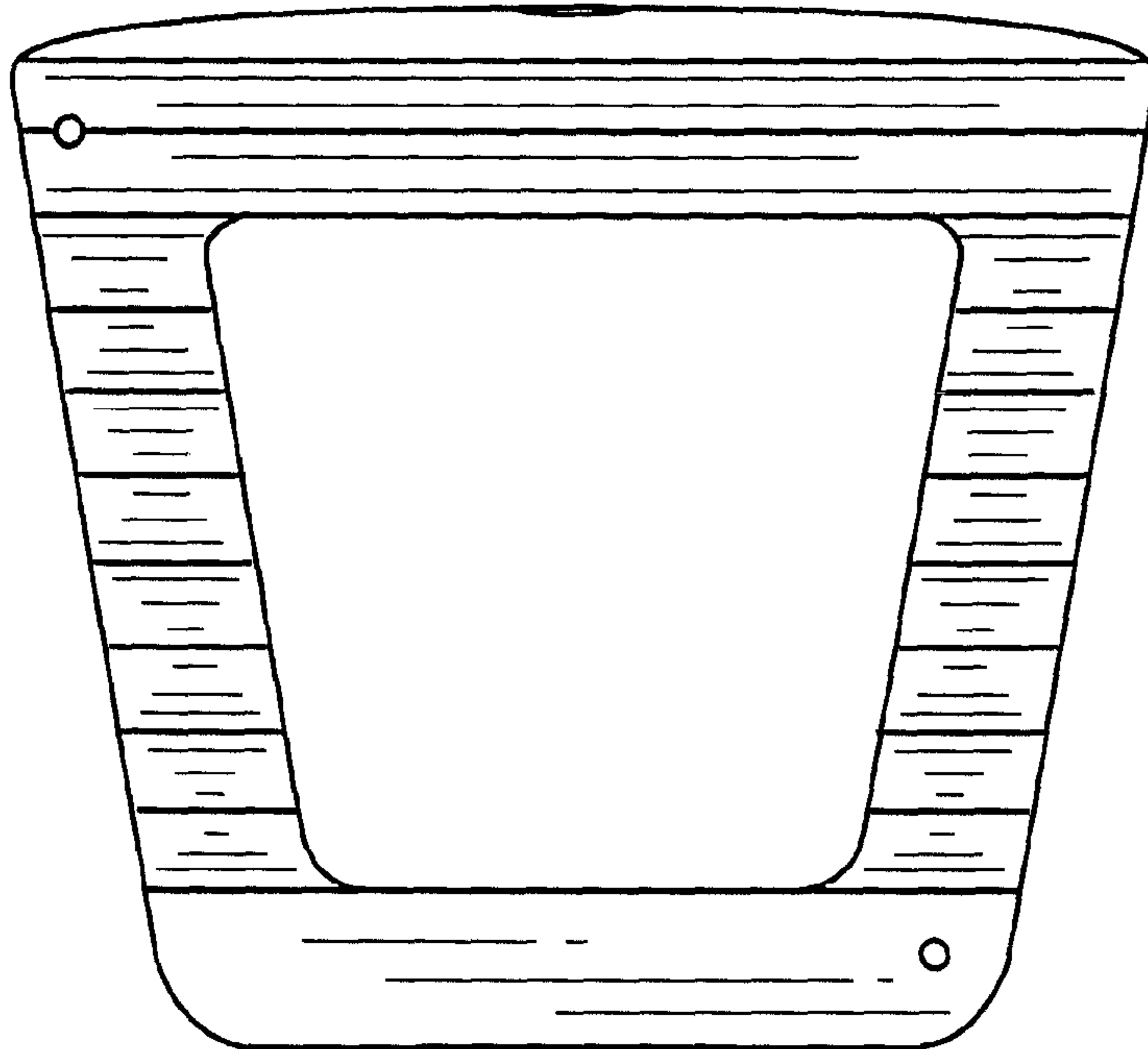
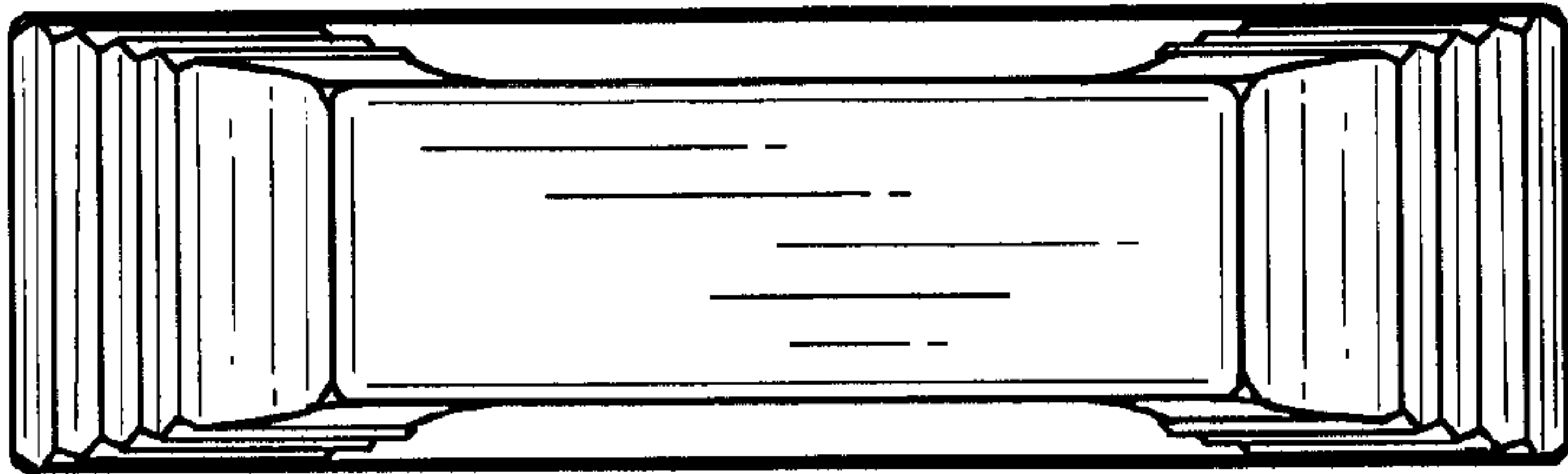
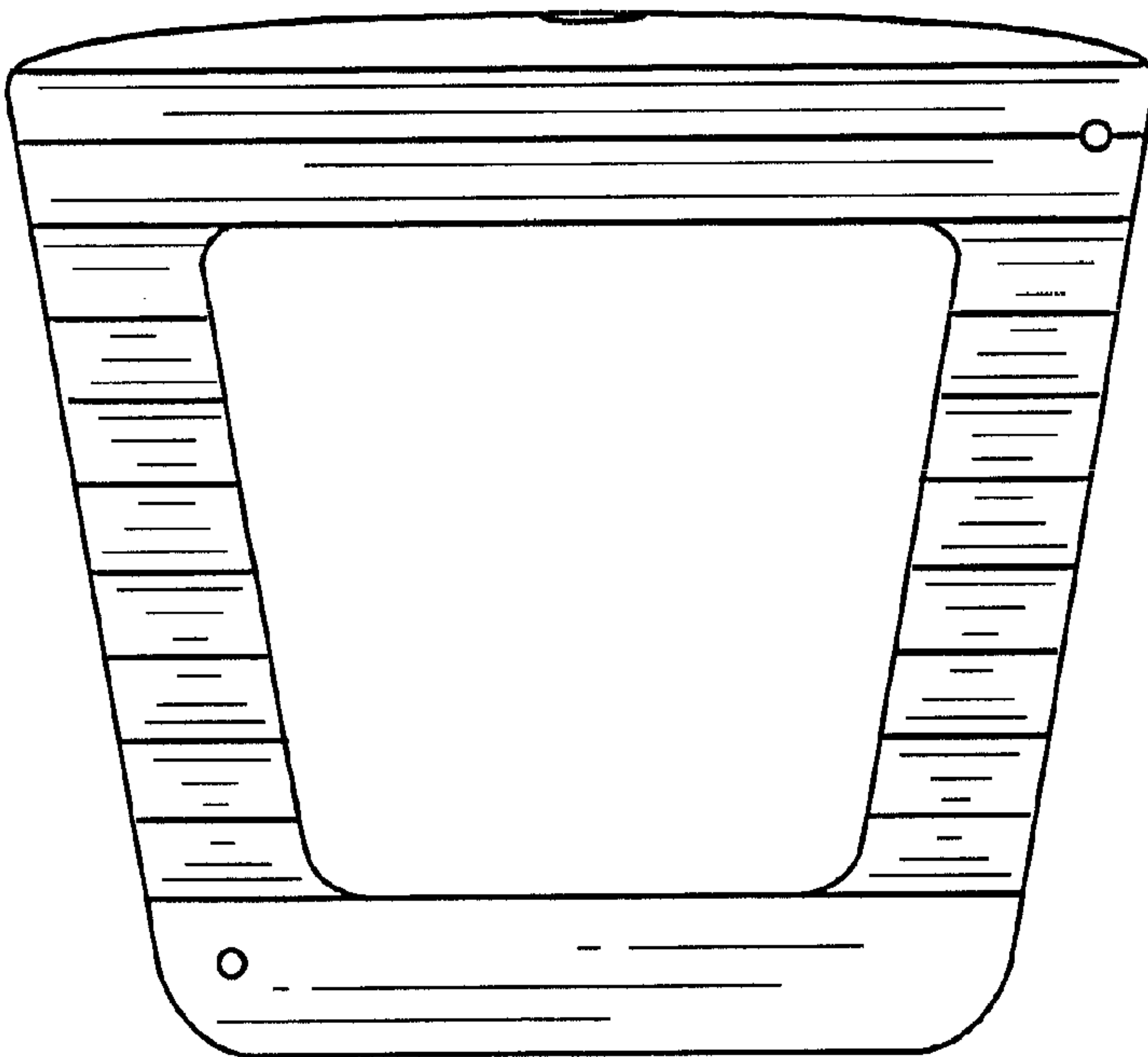


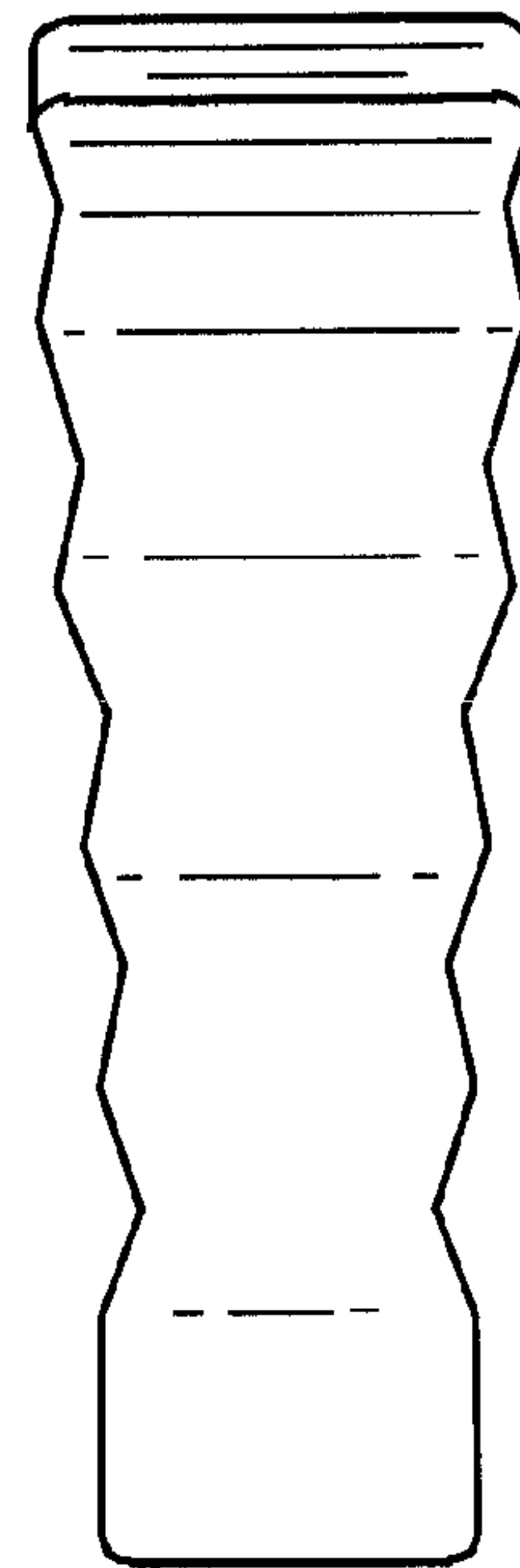
Fig. 5



*Fig. 8*



*Fig. 7*



*Fig. 6*