



US00D735858S

(12) **United States Design Patent**  
**Hirsch**

(10) **Patent No.:** **US D735,858 S**

(45) **Date of Patent:** **\*\* Aug. 4, 2015**

(54) **INTRAORAL DEVICE**

(71) Applicant: **Innerlite, Inc.**, Santa Barbara (CA)

(72) Inventor: **James A. Hirsch**, Santa Barbara, CA (US)

(73) Assignee: **Innerlite, Inc.**, Santa Barbara, CA (US)

(\*\*) Term: **14 Years**

(21) Appl. No.: **29/491,639**

(22) Filed: **May 22, 2014**

(51) **LOC (10) Cl.** ..... **24-02**

(52) **U.S. Cl.**  
USPC ..... **D24/152**

(58) **Field of Classification Search**  
USPC ..... D24/152, 156, 176, 180; 433/29, 91,  
433/93, 140

See application file for complete search history.

(56) **References Cited**

**U.S. PATENT DOCUMENTS**

D495,799 S \* 9/2004 Hirsch et al. .... D24/152  
6,974,321 B2 \* 12/2005 Hirsch et al. .... 433/93

D615,203 S \* 5/2010 Hirsch et al. .... D24/152  
8,029,280 B2 \* 10/2011 Black et al. .... 433/93  
8,911,232 B2 \* 12/2014 Nguyen et al. .... 433/93

\* cited by examiner

*Primary Examiner* — Wan Laymon

(74) *Attorney, Agent, or Firm* — Stephen C. Beuerle;  
Procopio Cory Hargreaves Savitch LLP

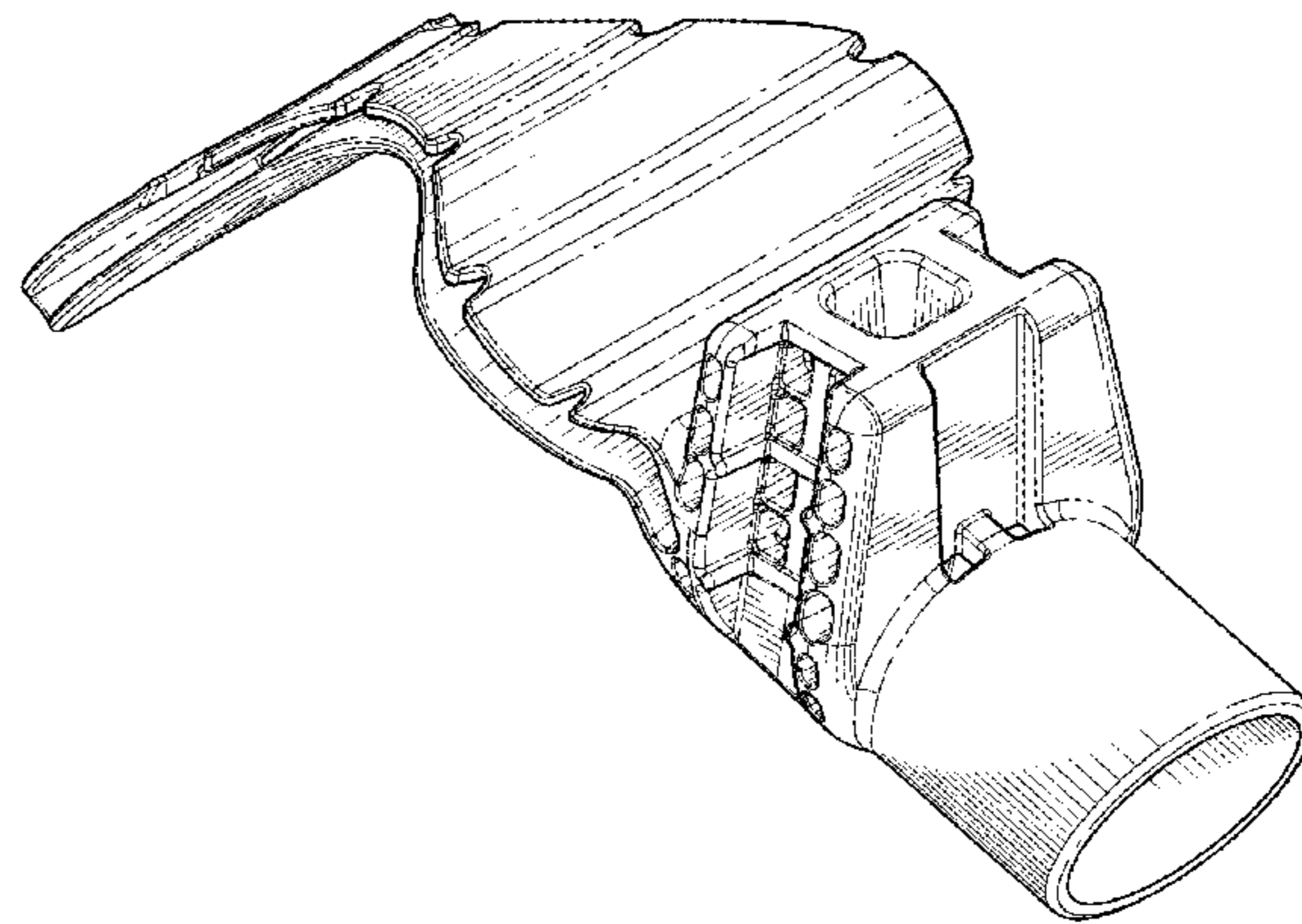
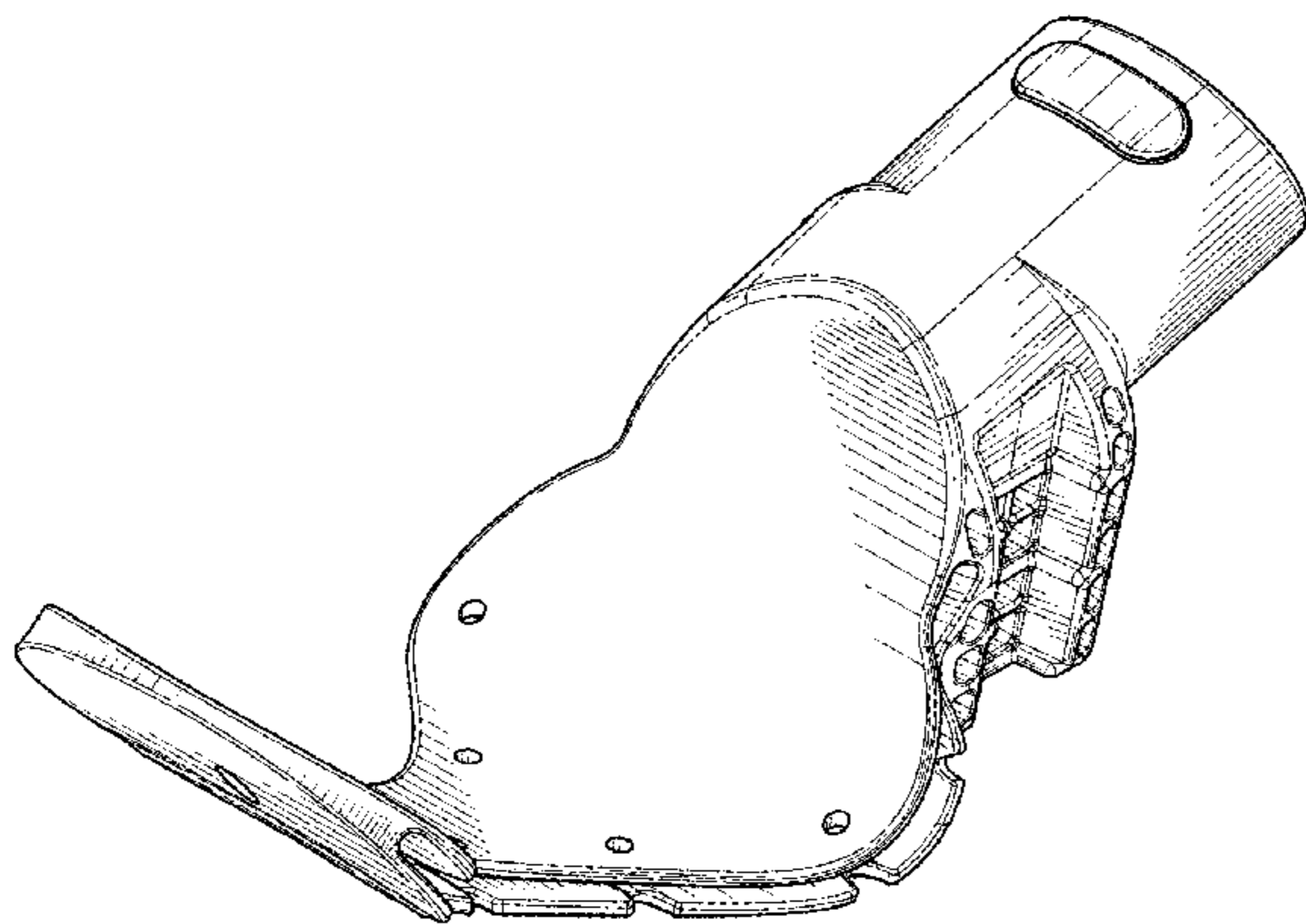
(57) **CLAIM**

The ornamental design for an intraoral device, as shown and described.

**DESCRIPTION**

FIG. 1 is a front perspective view of the intraoral device; FIG. 2 is a left side elevational view of the intraoral device; FIG. 3 is a right side elevational of the intraoral device; FIG. 4 is a bottom plan view of the intraoral device; FIG. 5 is a top plan view of the intraoral device; FIG. 6 is a front elevational view of the intraoral device; FIG. 7 is a rear elevational view of the intraoral illumination device; FIG. 8 is a rear perspective view of the intraoral device; and, FIG. 9 is another rear perspective view of the intraoral device. Any broken lines shown in FIGS. 1-9 are included for the purpose of illustrating environmental elements only and form no part of the claimed design.

**1 Claim, 6 Drawing Sheets**



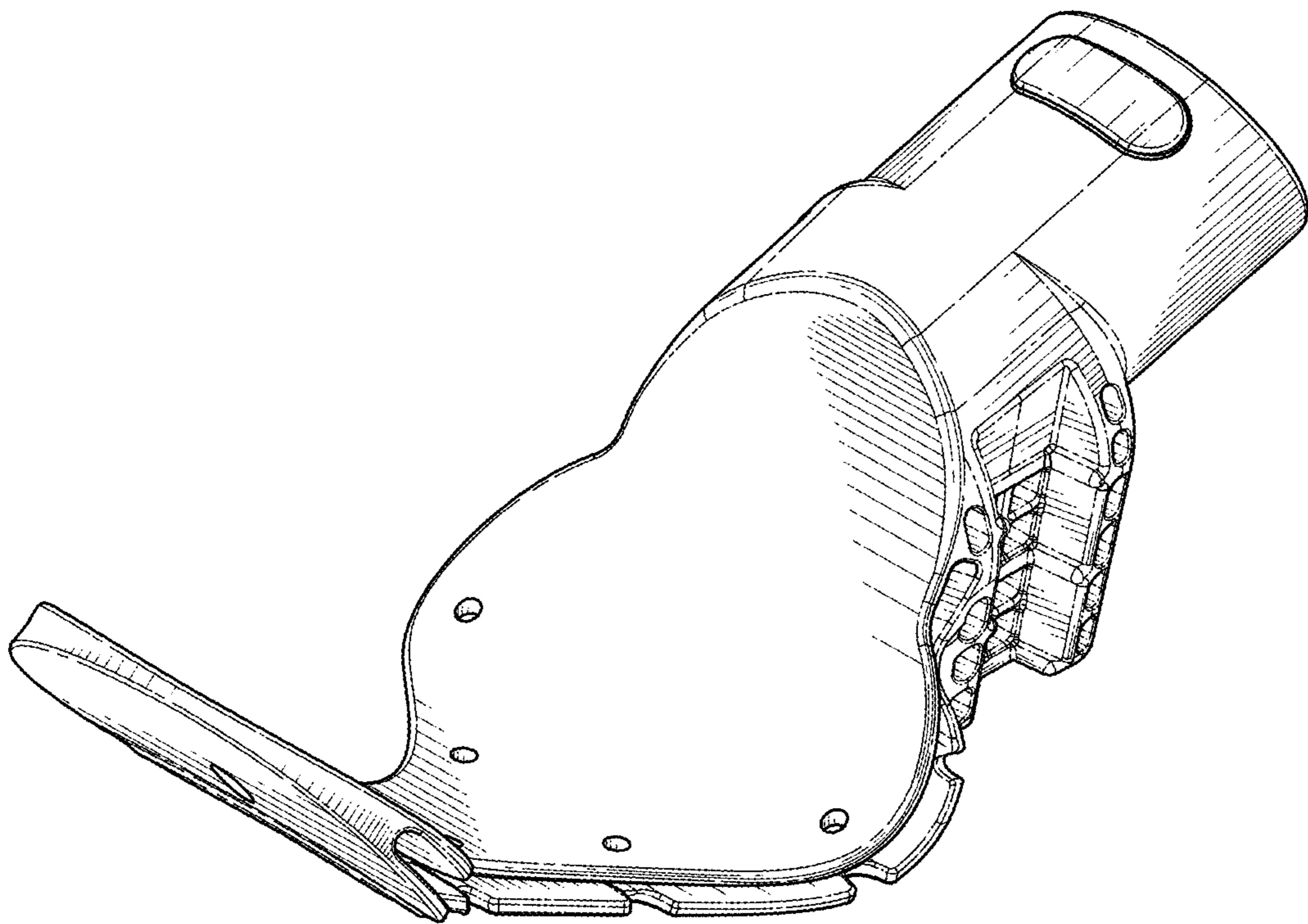


FIG. 1

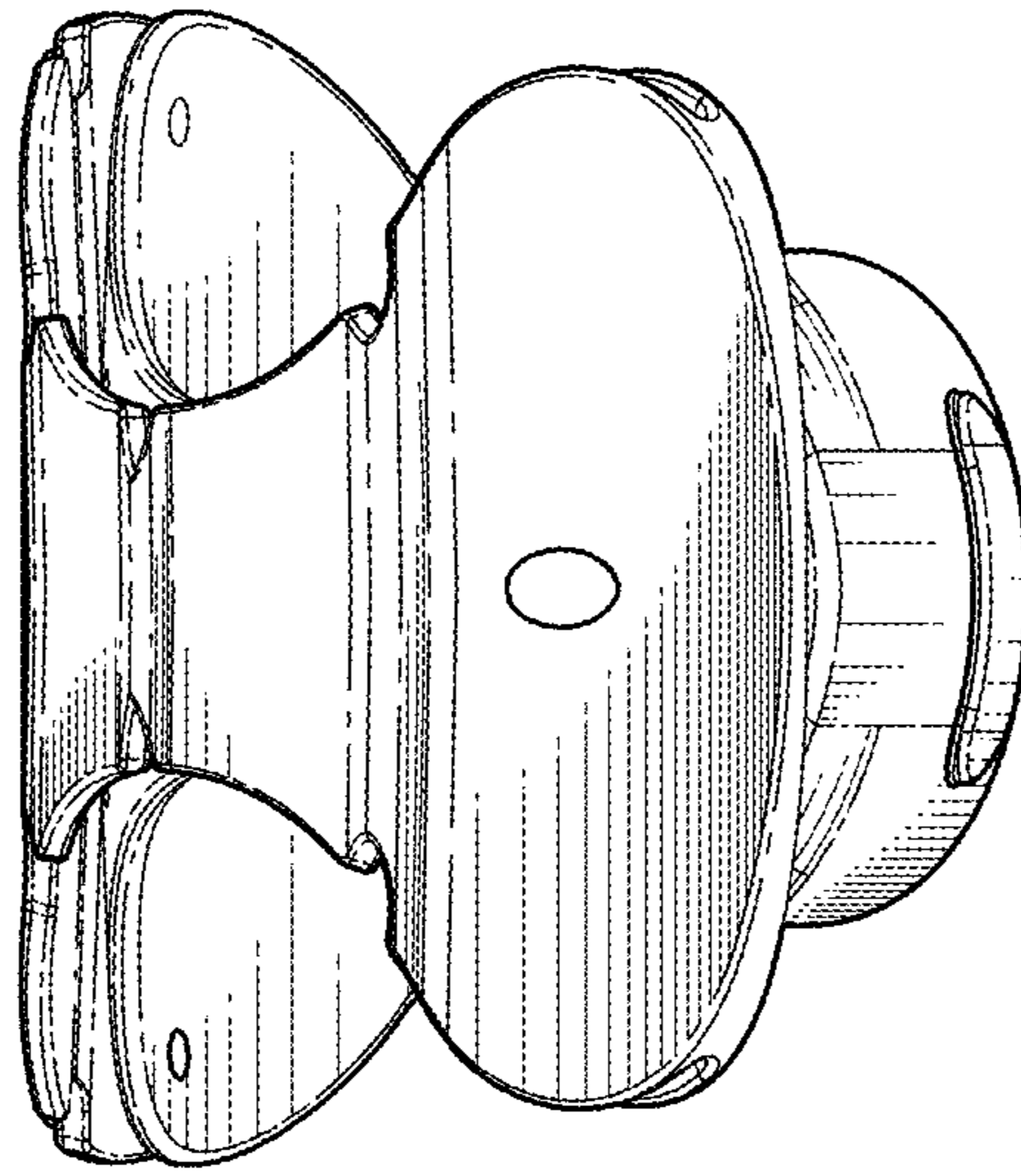


FIG. 2

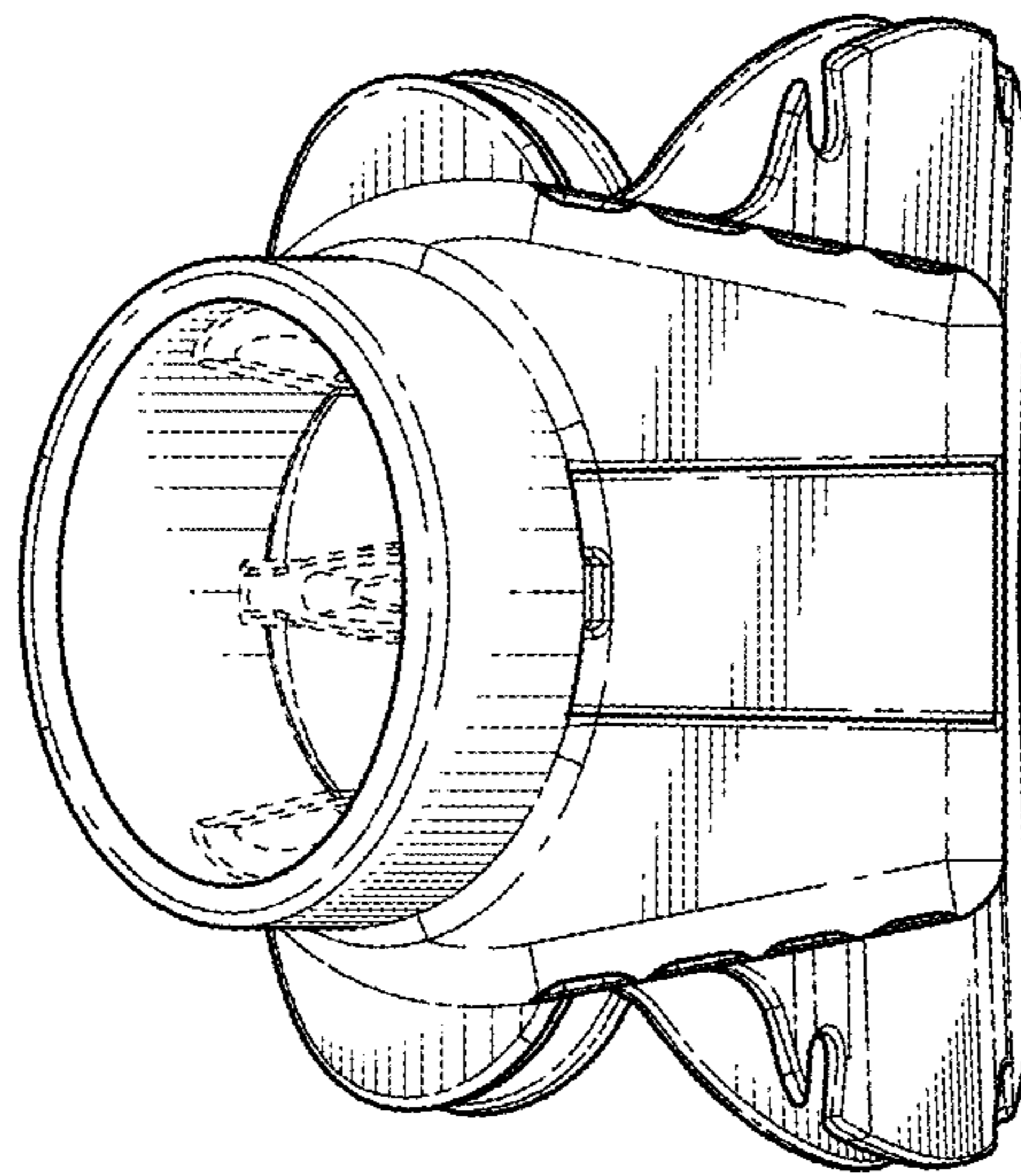


FIG. 3



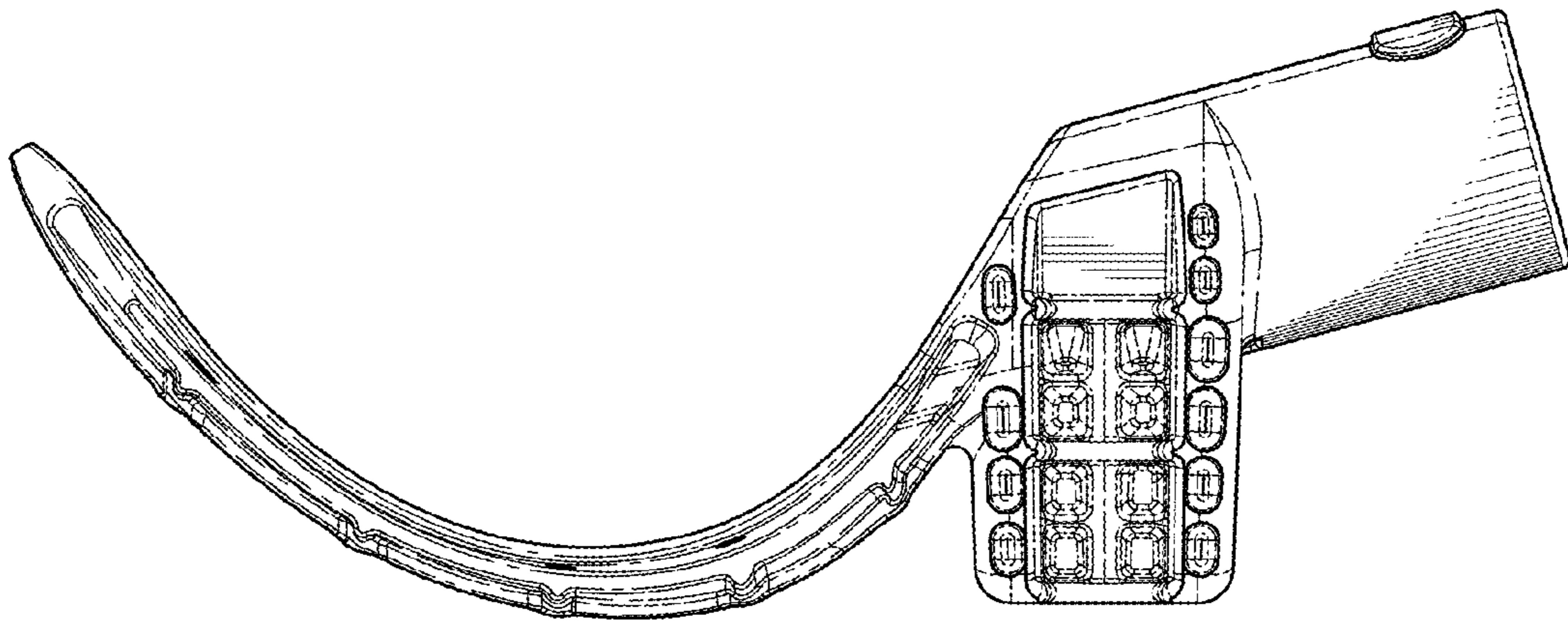


FIG. 4

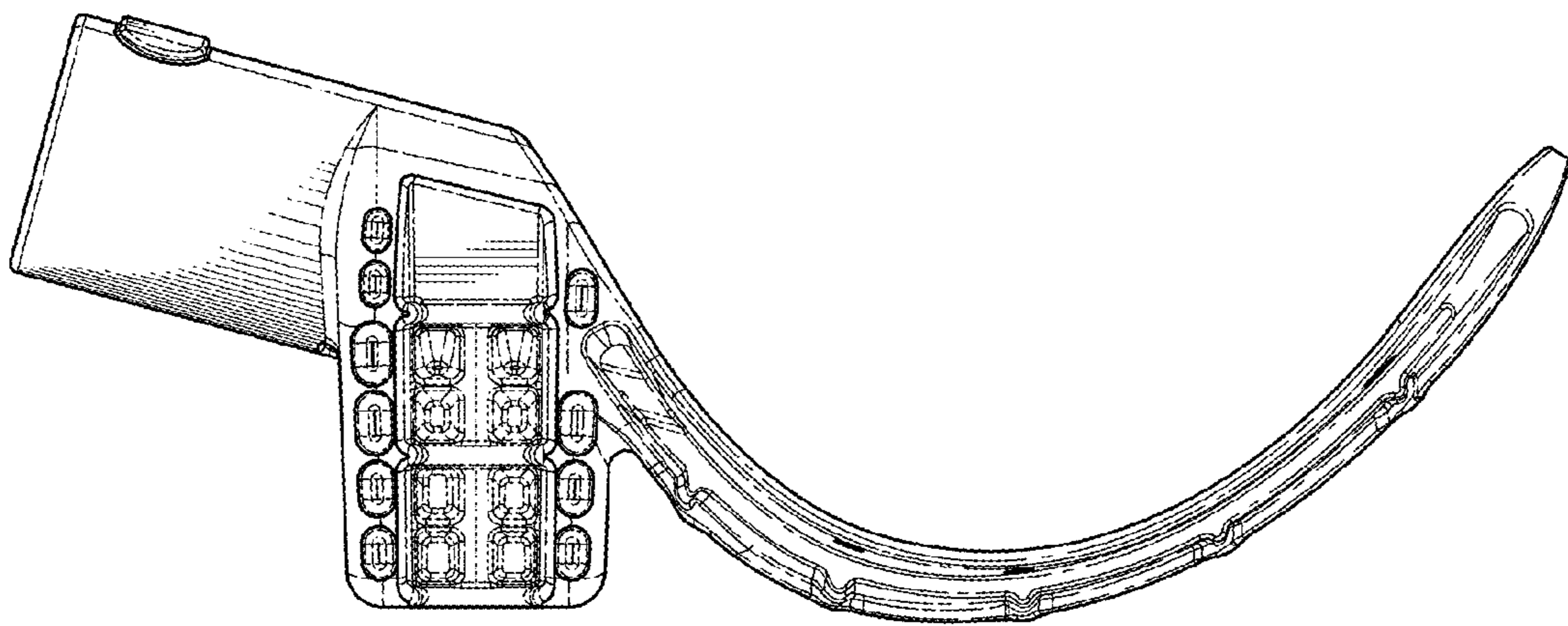


FIG. 5

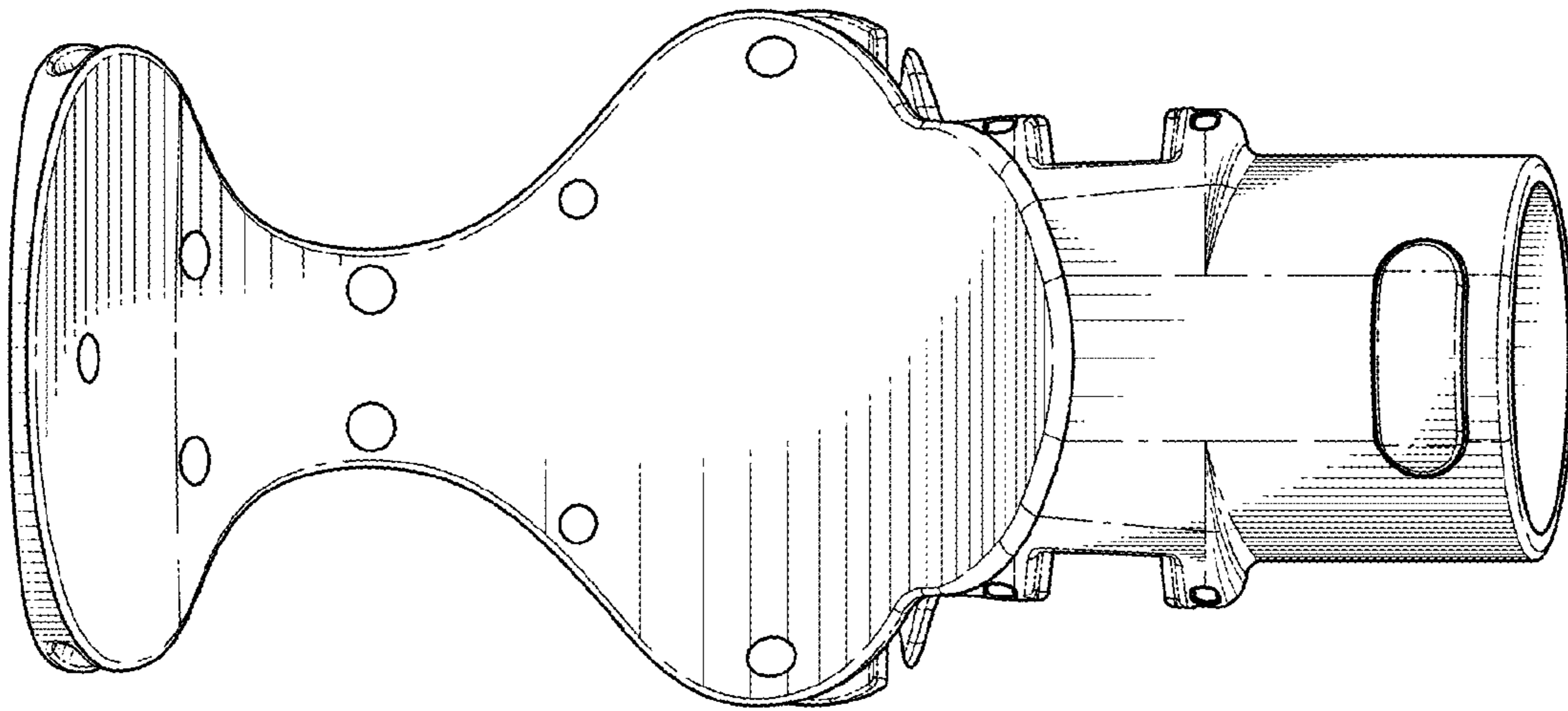


FIG. 6

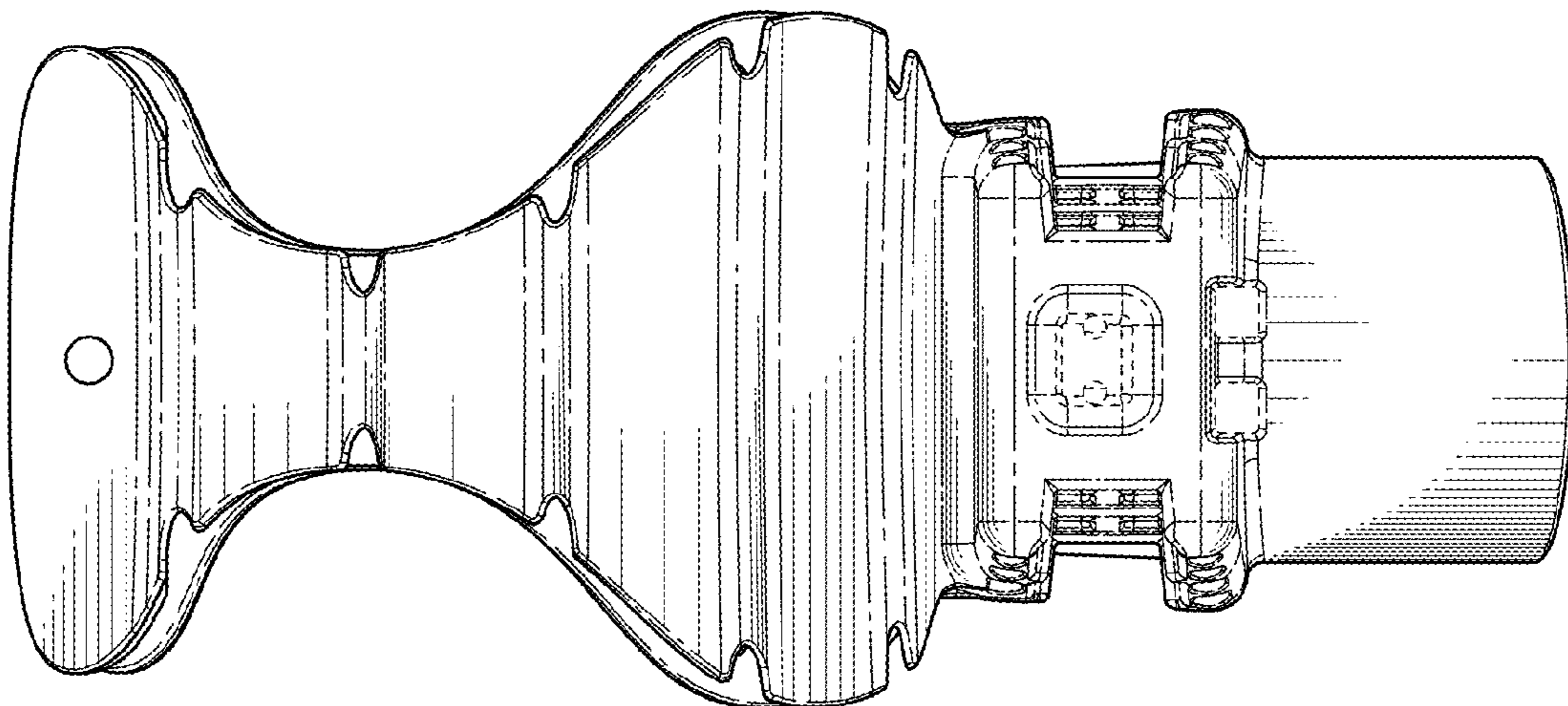


FIG. 7

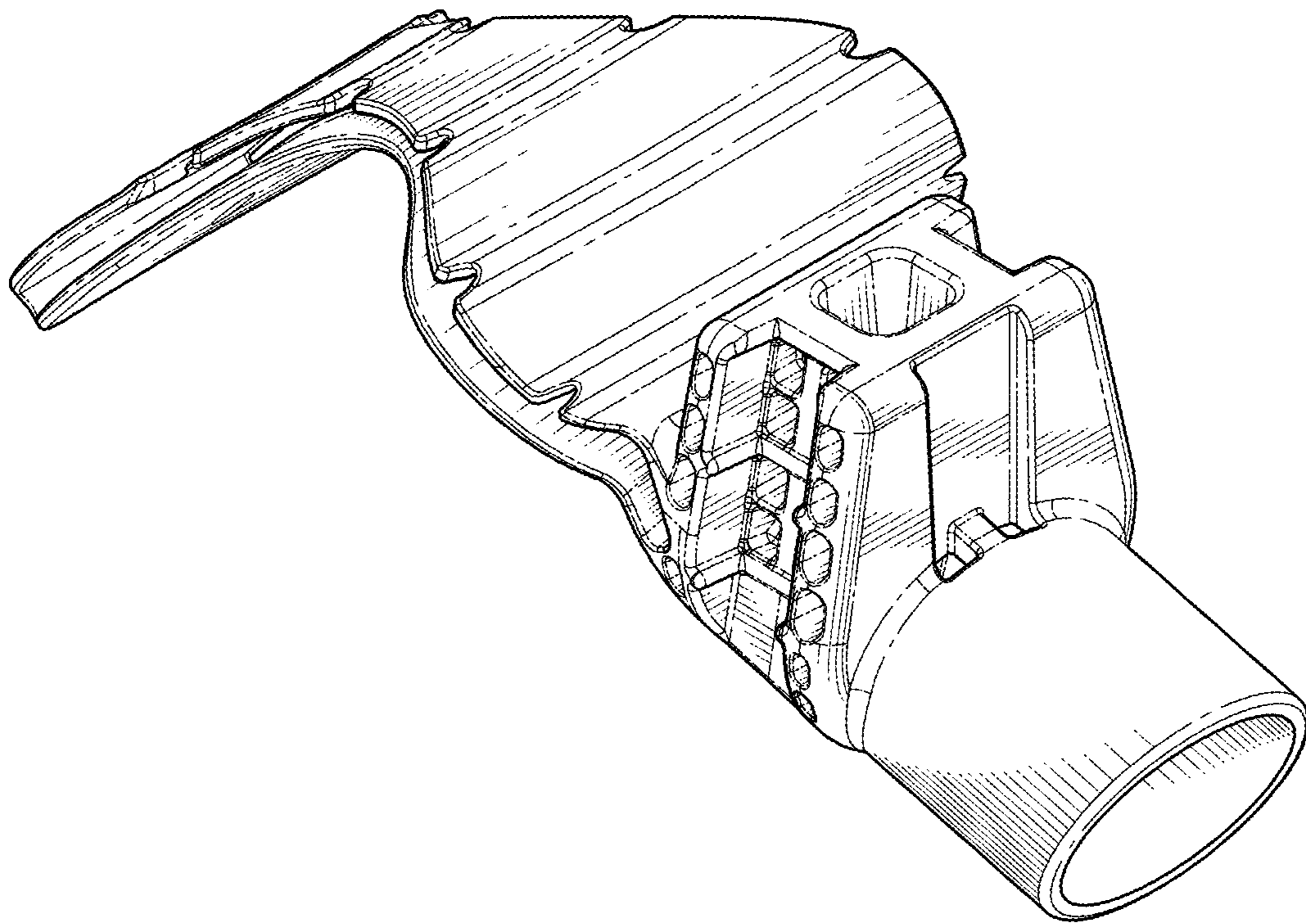


FIG. 8

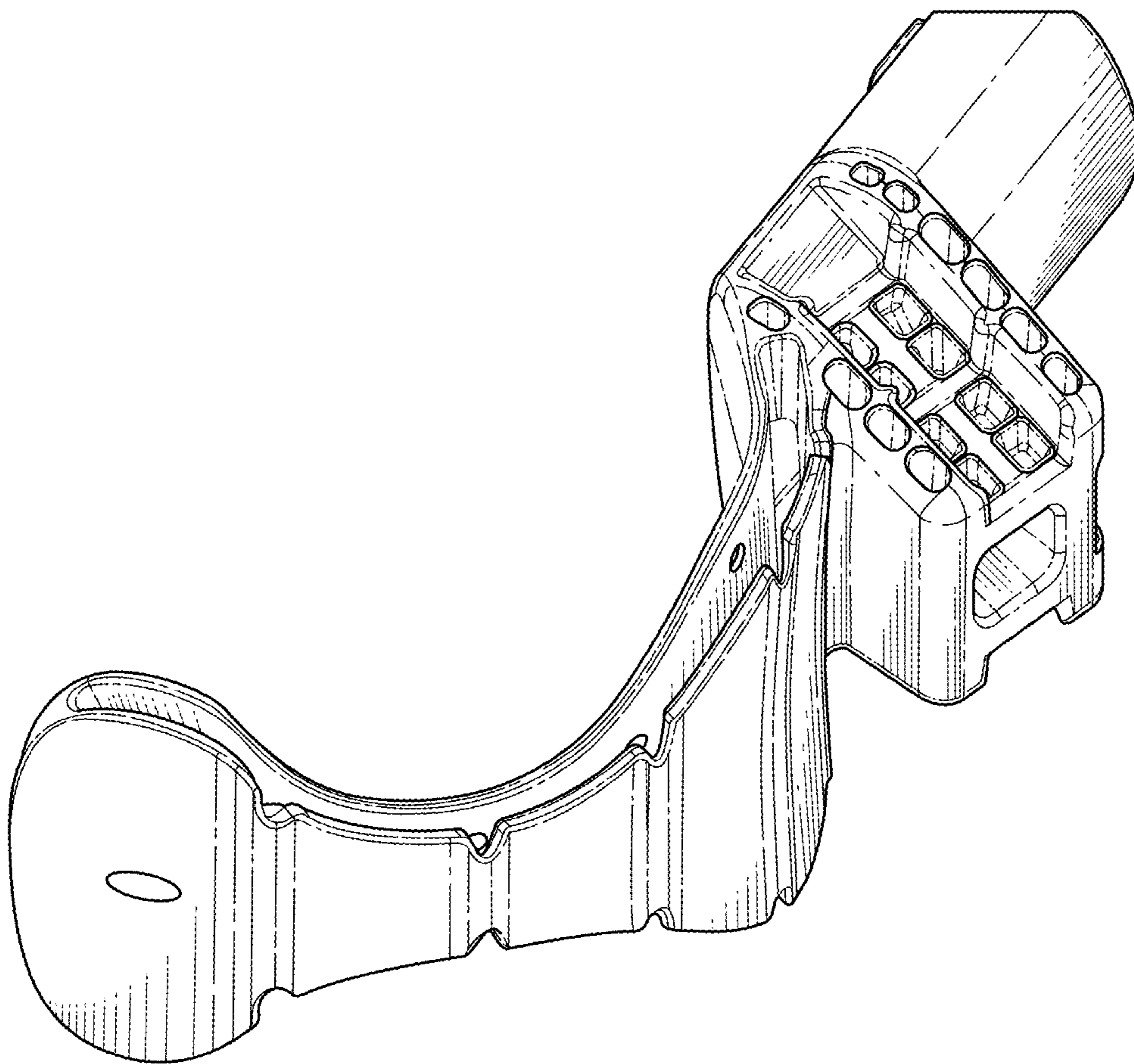


FIG. 9