



US00D735856S

(12) **United States Design Patent**  
**Koch**

(10) **Patent No.:** **US D735,856 S**

(45) **Date of Patent:** **\*\* Aug. 4, 2015**

(54) **FOREIGN OBJECT REMOVAL DEVICE**

(71) Applicant: **Richard Joseph Koch**, Madison, WI  
(US)

(72) Inventor: **Richard Joseph Koch**, Madison, WI  
(US)

(\*\*) Term: **14 Years**

(21) Appl. No.: **29/482,615**

(22) Filed: **Feb. 20, 2014**

(51) **LOC (10) Cl.** ..... **24-02**

(52) **U.S. Cl.**  
USPC ..... **D24/147**

(58) **Field of Classification Search**  
USPC ..... D24/146, 147, 133; D15/138, 139;  
606/79, 80, 81, 85-87, 180, 160-162  
CPC ..... A61B 2017/320004; A61B 2017/320008;  
A61B 17/320016  
See application file for complete search history.

(56) **References Cited**

**U.S. PATENT DOCUMENTS**

D282,205 S *	1/1986	Davison et al. ....	D24/149
D285,253 S *	8/1986	Audette .....	D24/147
D306,067 S *	2/1990	Bogdanoff et al. ....	D24/149
D318,116 S *	7/1991	Michelson .....	D24/147
D318,117 S *	7/1991	Michelson .....	D24/147
D318,118 S *	7/1991	Michelson .....	D24/147
D381,426 S *	7/1997	Koros et al. ....	D24/147
D449,888 S *	10/2001	Huttner .....	D24/147
D483,870 S *	12/2003	Scheller et al. ....	D24/146

D493,532 S *	7/2004	Levaughn et al. ....	D24/146
D515,213 S *	2/2006	Huttner .....	D24/147
D539,426 S *	3/2007	Callaghan .....	D24/147
D546,948 S *	7/2007	Huttner .....	D24/147
D585,547 S *	1/2009	Bisleri .....	D24/135
D585,989 S *	2/2009	Leroy .....	D24/146
D622,851 S *	8/2010	Horton .....	D24/147
D629,896 S *	12/2010	Horton .....	D24/133
D655,413 S *	3/2012	Nino et al. ....	D24/133
8,529,568 B2 *	9/2013	Bouadi .....	606/84
D718,441 S *	11/2014	Carus et al. ....	D24/133
2008/0033472 A1 *	2/2008	Shimizu et al. ....	606/190

\* cited by examiner

*Primary Examiner* — Ian Simmons

*Assistant Examiner* — Caissa C Fitts

(57) **CLAIM**

The ornamental design for a foreign object removal device, as shown and described.

**DESCRIPTION**

FIG. 1 is a perspective front view of a foreign object removal device;

FIG. 2 is a front elevation view of the foreign object removal device; the rear elevation view being a mirror image thereof;

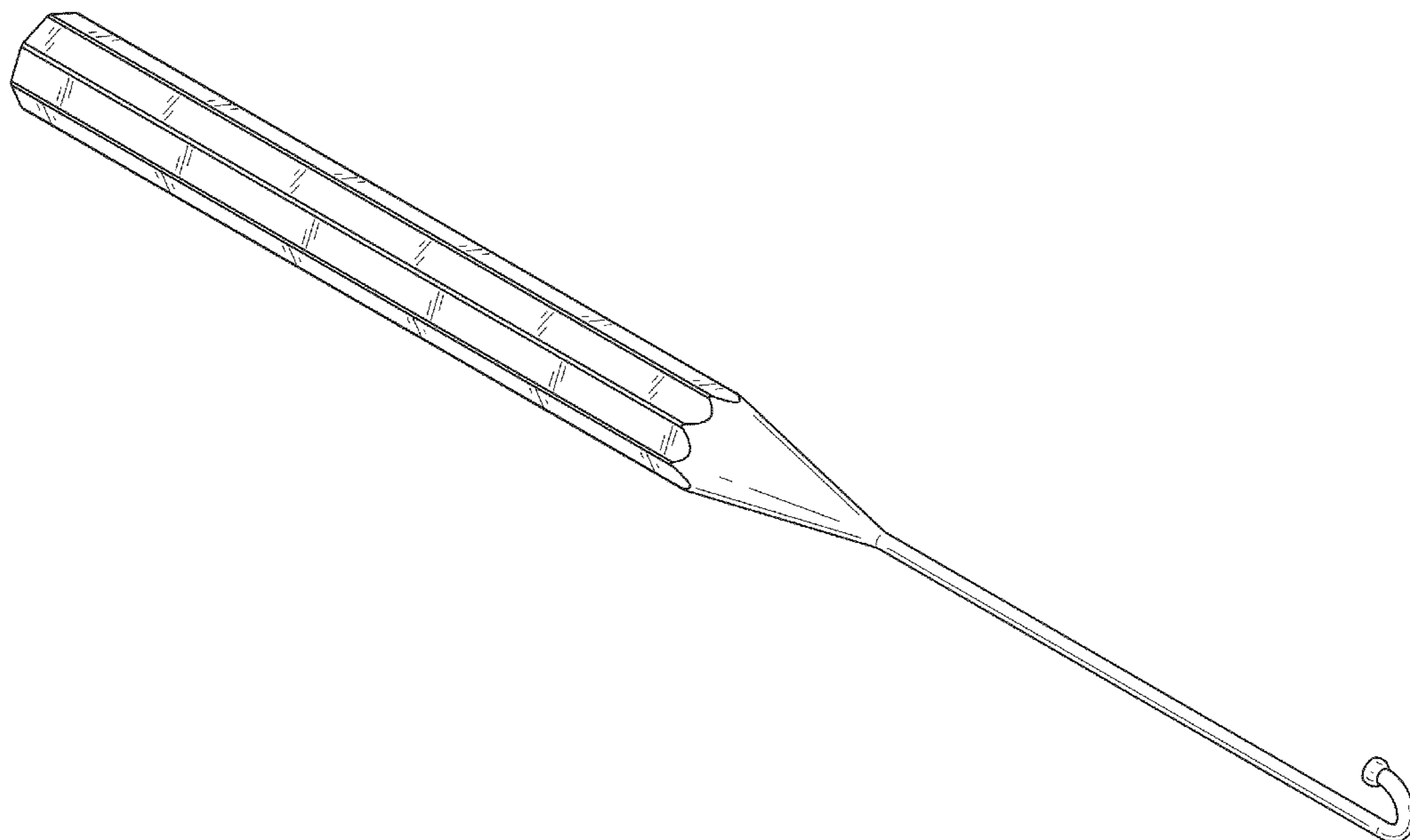
FIG. 3 is a left side elevation view of the foreign object removal device;

FIG. 4 is a right side elevation view of the foreign object removal device;

FIG. 5 is a top plan view of the foreign object removal device; and,

FIG. 6 is a bottom plan view of the foreign object removal device.

**1 Claim, 2 Drawing Sheets**



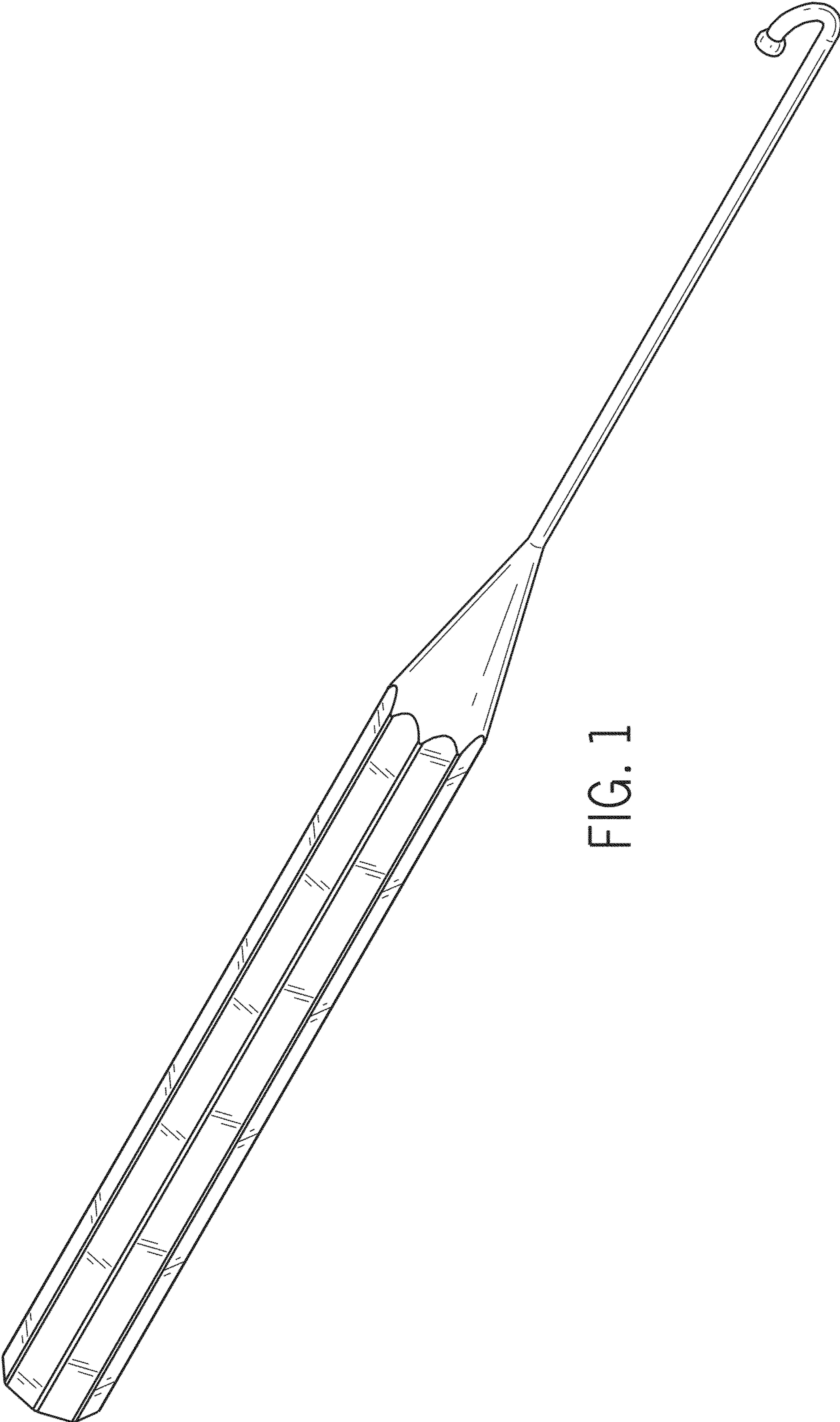


FIG. 1

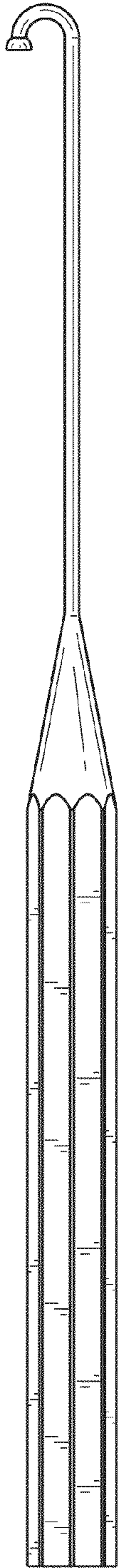


FIG. 2

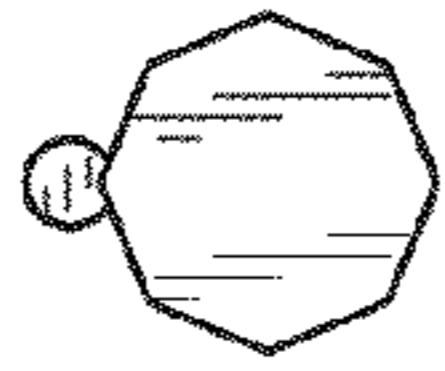


FIG. 3

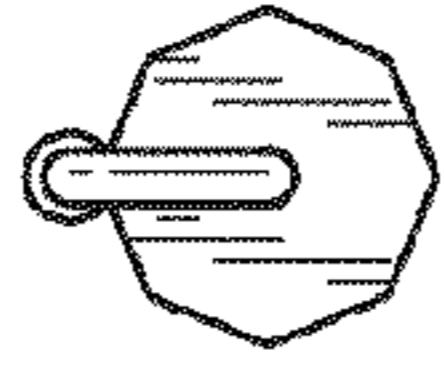


FIG. 4

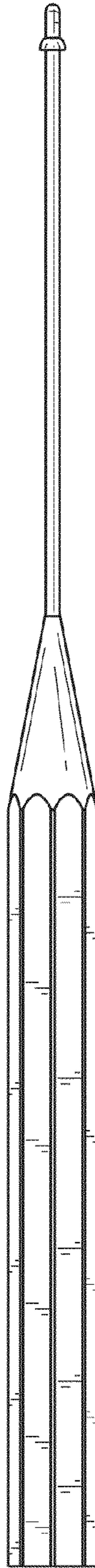


FIG. 5



FIG. 6