



US00D735851S

(12) **United States Design Patent**
Zaveruhka

(10) **Patent No.:** **US D735,851 S**

(45) **Date of Patent:** **** Aug. 4, 2015**

(54) **DISPOSABLE DIAPER HAVING TWO IDENTICAL HALVES**

(76) Inventor: **Irina Zaveruhka**, Apex, NC (US)

(**) Term: **14 Years**

(21) Appl. No.: **29/424,298**

(22) Filed: **Jun. 11, 2012**

(51) **LOC (10) Cl.** **24-04**

(52) **U.S. Cl.**
USPC **D24/126**

(58) **Field of Classification Search**

USPC D24/124, 126; 604/358, 359, 360, 361,
604/378, 384, 385.1, 385.2; 2/400, 401,
2/402, 406, 407

See application file for complete search history.

(56) **References Cited**

U.S. PATENT DOCUMENTS

| | | | | | |
|-----------|-----|---------|-----------------|-------|------------|
| 2,695,615 | A * | 11/1954 | Del Guercio | | 604/394 |
| 4,568,342 | A * | 2/1986 | Davis | | 604/391 |
| 4,643,726 | A * | 2/1987 | Gegelys | | 604/368 |
| 5,098,423 | A * | 3/1992 | Pieniak et al. | | 604/385.27 |
| D354,131 | S * | 1/1995 | Bates | | D24/126 |
| D416,325 | S * | 11/1999 | Thompson | | D24/126 |
| D439,662 | S * | 3/2001 | Ratliff et al. | | D24/126 |
| D583,935 | S * | 12/2008 | Sasayama et al. | | D24/126 |
| D621,501 | S * | 8/2010 | Coon | | D24/126 |
| D625,000 | S * | 10/2010 | Stewart | | D24/126 |

* cited by examiner

Primary Examiner — T. Chase Nelson

Assistant Examiner — Michelle E Wilson

(74) *Attorney, Agent, or Firm* — Megan Lyman

(57) **CLAIM**

The ornamental design for a disposable diaper having two identical halves.

DESCRIPTION

This continuation application claims benefit of U.S. Provisional application No. 861,739 filed on Aug. 7, 2011, the disclosures of which are incorporated herein in its entirety by reference.

FIG. 1 is an interior view of the two identical halves of the disposable diaper, connectable at the crotch area with adhesive and having fasteners at the waist area.

FIG. 2 is a tilted interior view of the two identical halves of the disposable diaper, connectable at the crotch area with adhesive and having fasteners at the waist area.

FIG. 3 is an exterior view of the two identical halves of the disposable diaper, connecting at the crotch area with adhesive and having fasteners at the waist area.

FIG. 4 is an exterior view of one identical half of the disposable diaper, showing a user accessing the adhesive on the exterior of the identical half at the crotch of the disposable diaper and having fasteners at the waist area.

FIG. 5 is an interior view of the two identical halves of a disposable diaper, showing a user connecting the two identical halves at the crotch area with adhesive and having fasteners at the waist area.

FIG. 6 illustrates the interior, on the left, and exterior, on the right, of one identical half of the disposable diaper having an adhesive on the exterior at the crotch area and two fasteners at the waist area, the fasteners of each half being parallel and non-planar to one another.

FIG. 7 illustrates the interior, on the left, and exterior, on the right, of one identical half of the disposable diaper having an adhesive on the exterior at the crotch area and two fasteners at the waist area, the fasteners of each half being parallel and non-planar to one another and in mirror image to those in FIG. 6.

FIG. 8 is a side view of the disposable diaper, the two identical halves connecting at the crotch area with adhesive and having fasteners at the waist area that are parallel to one another when fastened.

FIG. 9 illustrates the interior, on the left, and exterior, on the right, of one identical half of the disposable diaper having an adhesive at the crotch area and an alternative fastener, or just the alternative fastener, and two fasteners at the waist area, the fasteners of each half being parallel and non-planar to one another.

FIG. 10 illustrates the interior, on the left, and exterior, on the right, of one identical half of the disposable diaper having an adhesive at the crotch area and an alternative fastener, or just the alternative fastener, and two fasteners at the waist area, the fasteners of each half being parallel and non-planar to one another and in mirror image to those in FIG. 9.

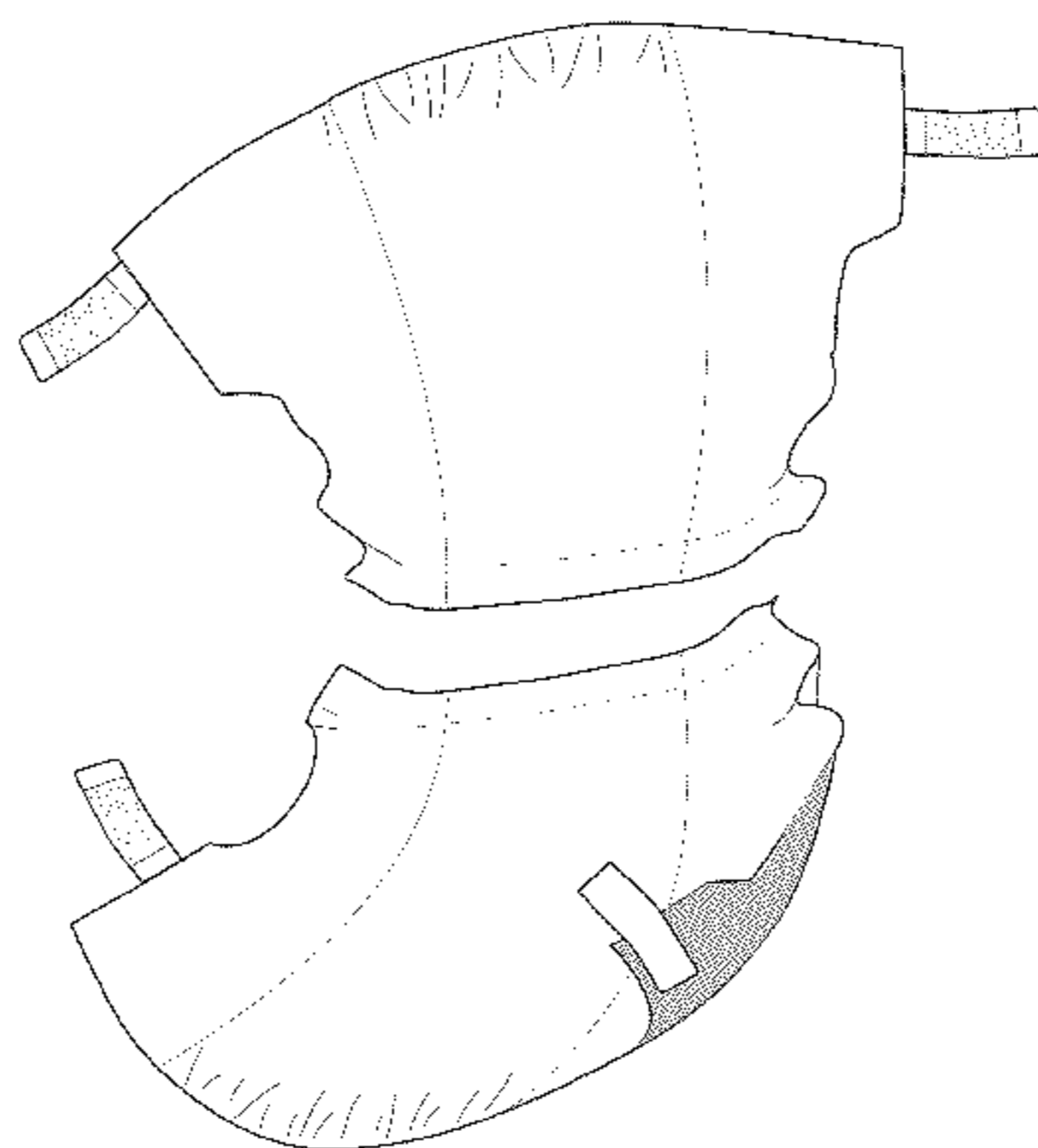


FIG. 11 is an exterior view of the two identical halves of the disposable diaper, connecting at the crotch area with adhesive and fasteners, or just the fasteners, and having fasteners at the waist area.

FIG. 12 illustrates the interior in another alternative, on the left, and exterior, on the right, of one identical half of the disposable diaper having an adhesive at the crotch area and an alternative fastener, or just the alternative fastener, and two fasteners at the waist area, the fasteners of each half being parallel and non-planar to one another.

FIG. 13 illustrates the interior in another alternative, on the left, and exterior, on the right, of one identical half of the disposable diaper having an adhesive at the crotch area and an alternative fastener, or just the alternative fastener, and two

fasteners at the waist area, the fasteners of each half being parallel and non-planar to one another and in mirror image to those in FIG. 12.

FIG. 14 is another exterior view of the two identical halves of the disposable diaper, connecting at the crotch area with adhesive and alternative fasteners, or just the alternative fasteners, and having fasteners at the waist area; and,

FIG. 15 is a side view s of the disposable diaper, the two identical halves connecting at the crotch area with adhesive and a fastener, or just the fastener, and having fasteners at the waist area that are parallel to one another when fastened and in mirror image to FIG. 8.

The broken lines are for illustrative purposes only and form no part of the claimed design.

1 Claim, 15 Drawing Sheets

Figure 1

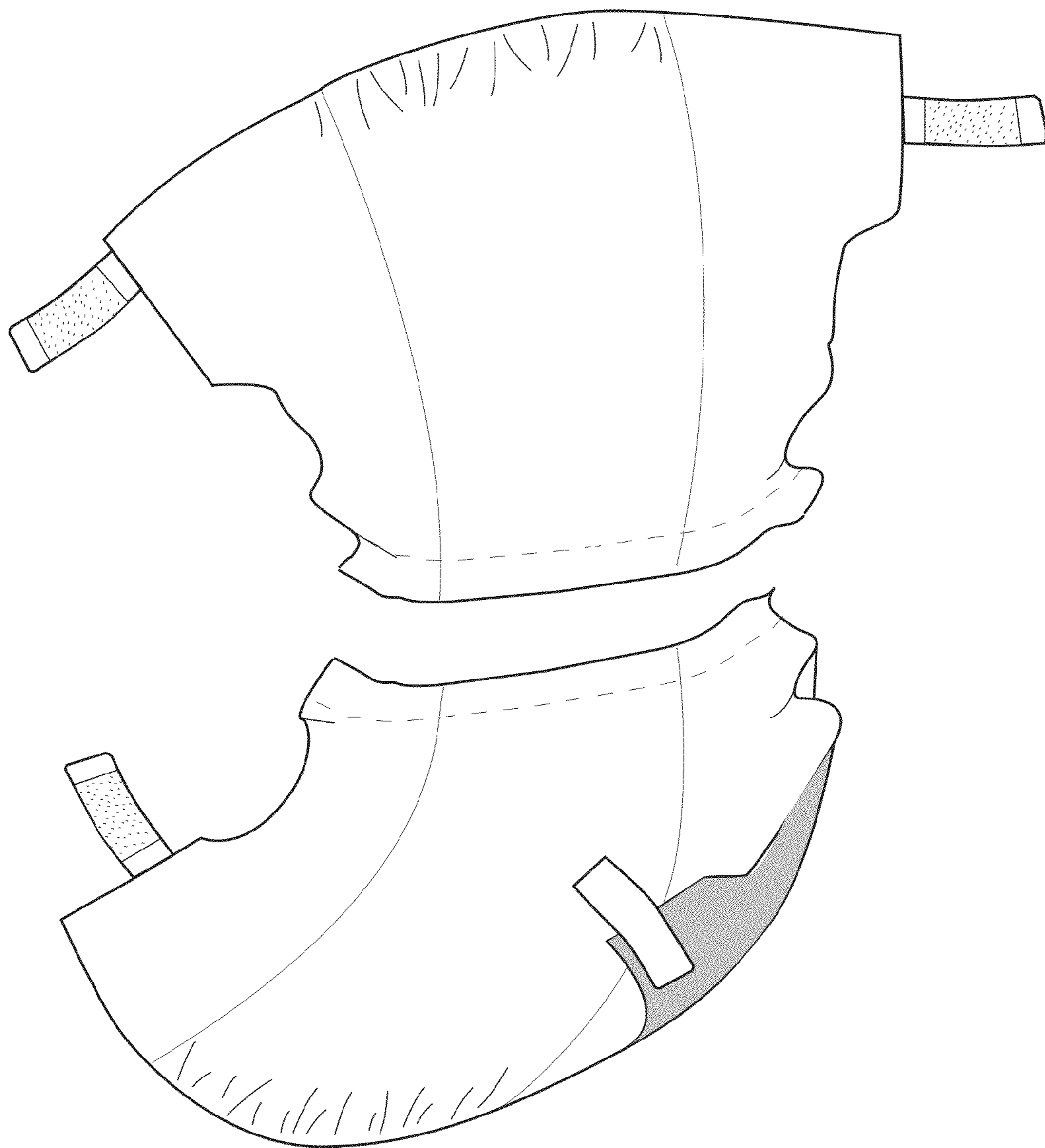


Figure 2

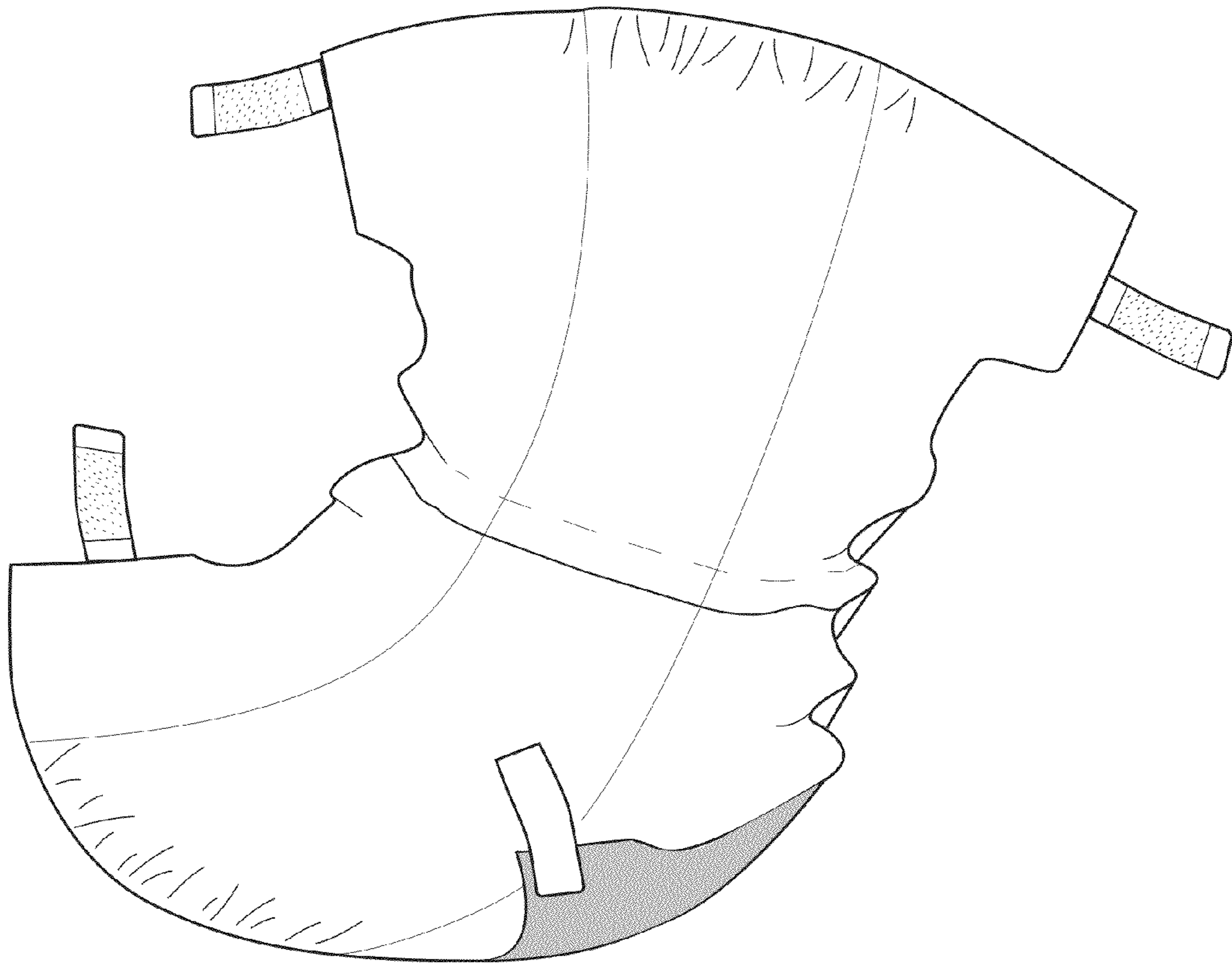


Figure 3

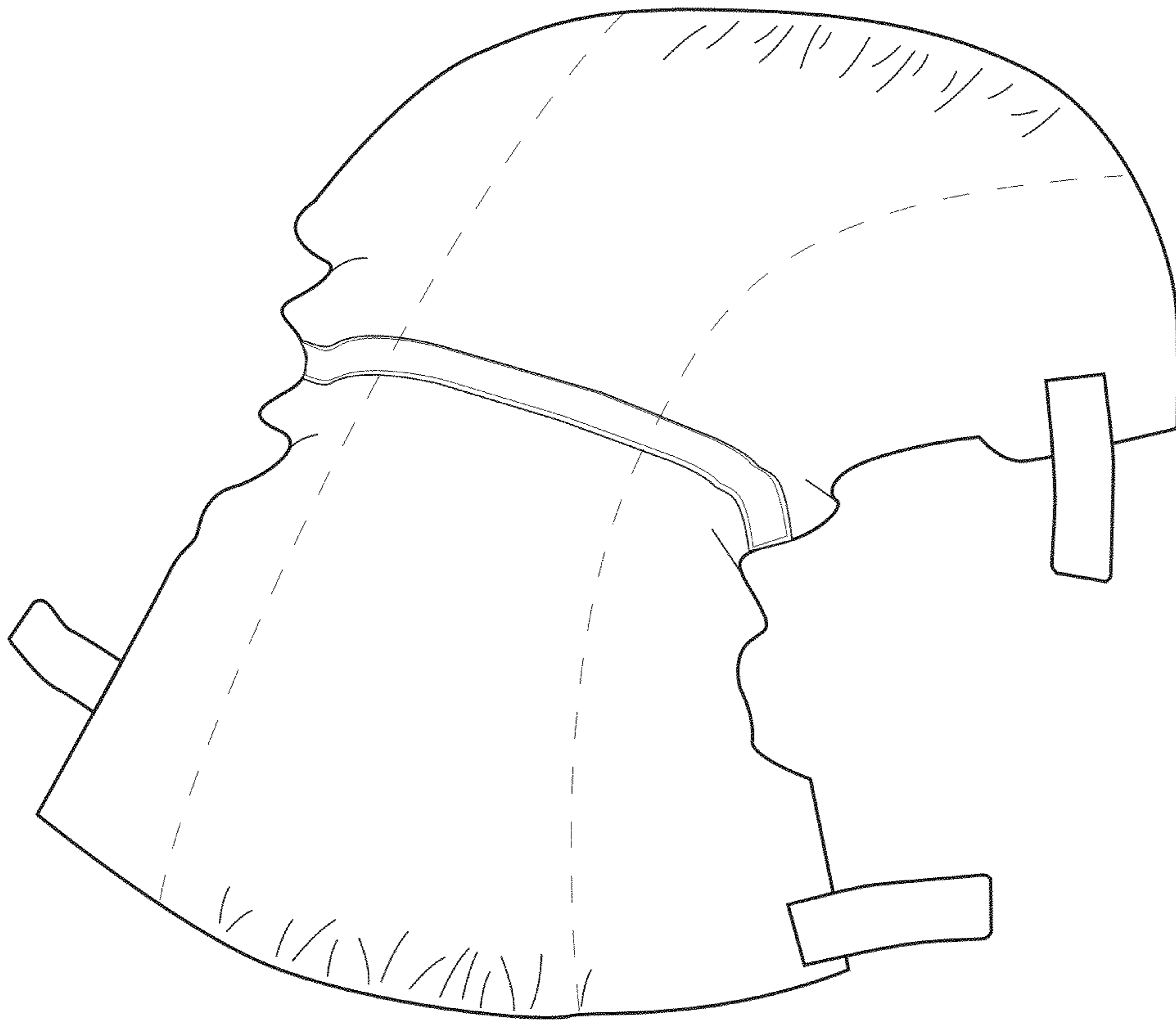


Figure 4

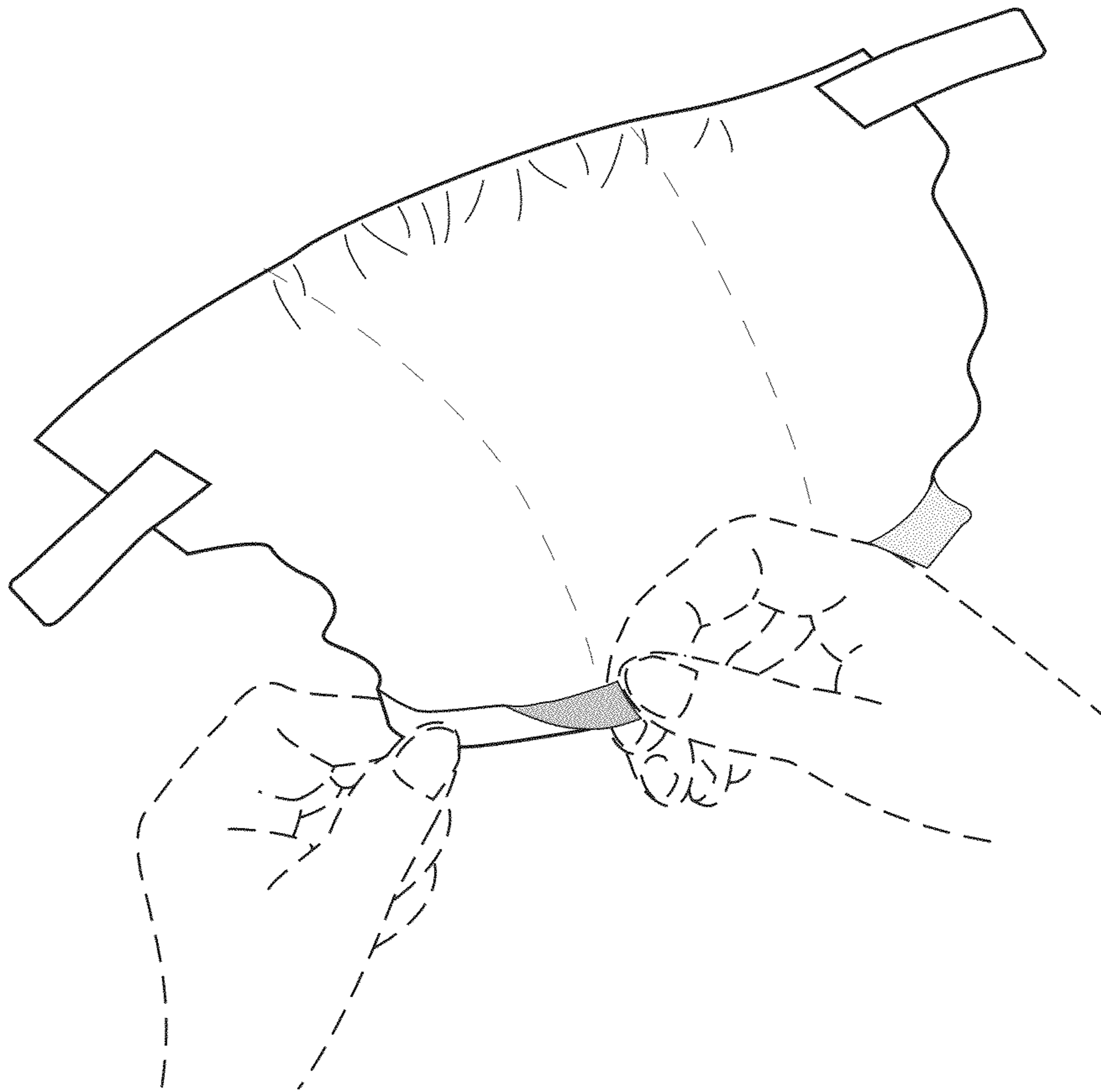


Figure 5

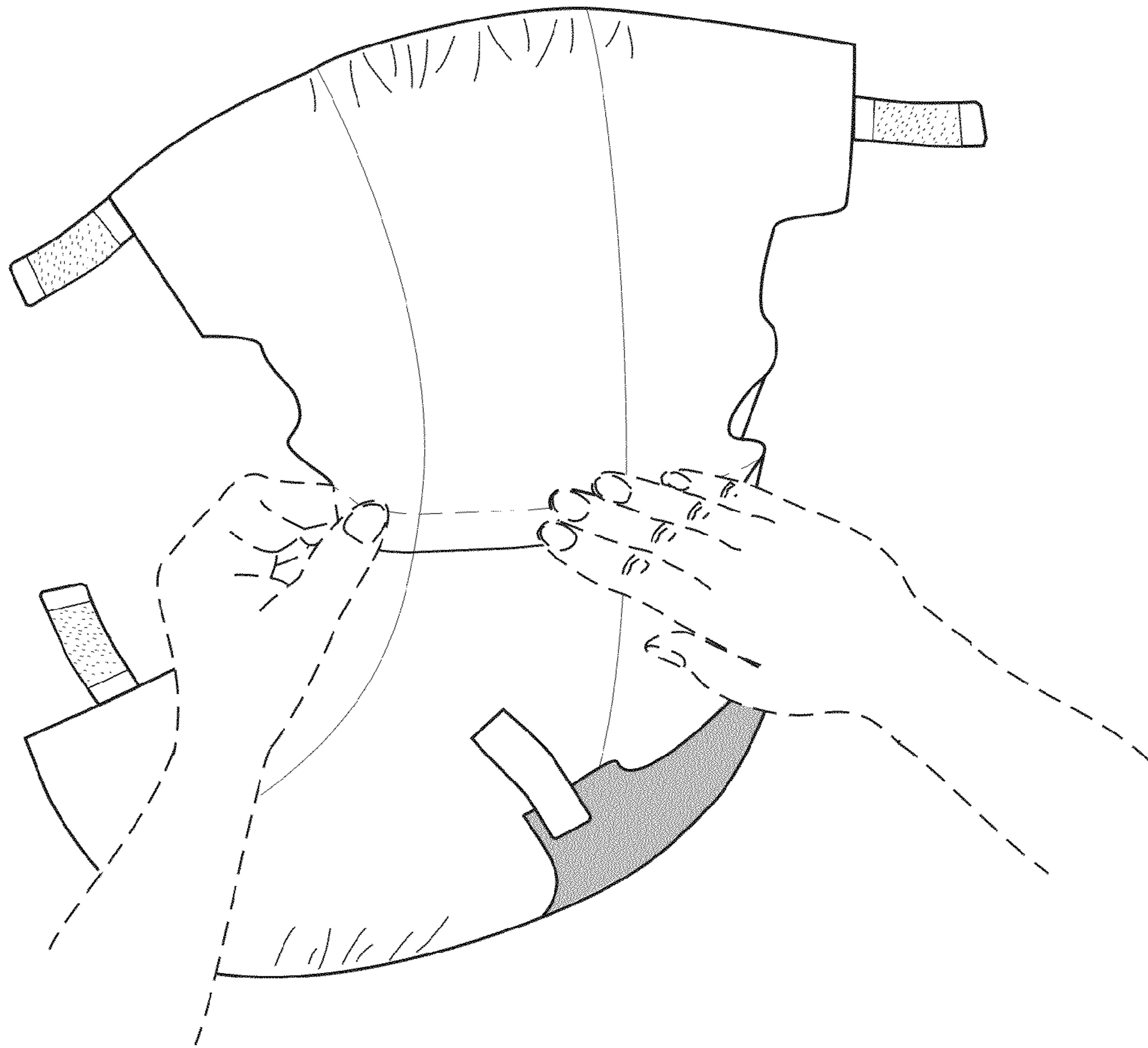


Figure 6

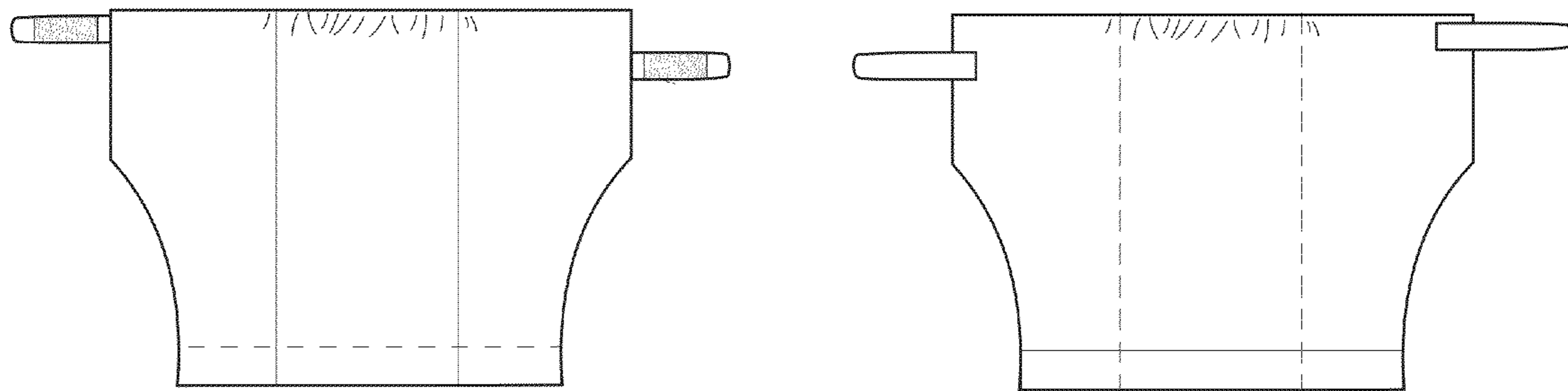


Figure 7

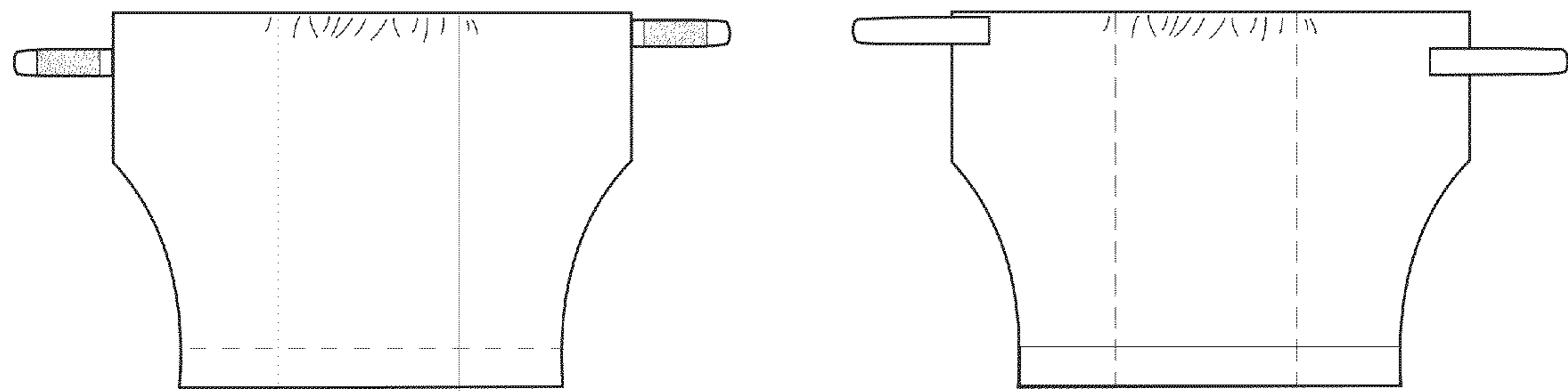


Figure 8

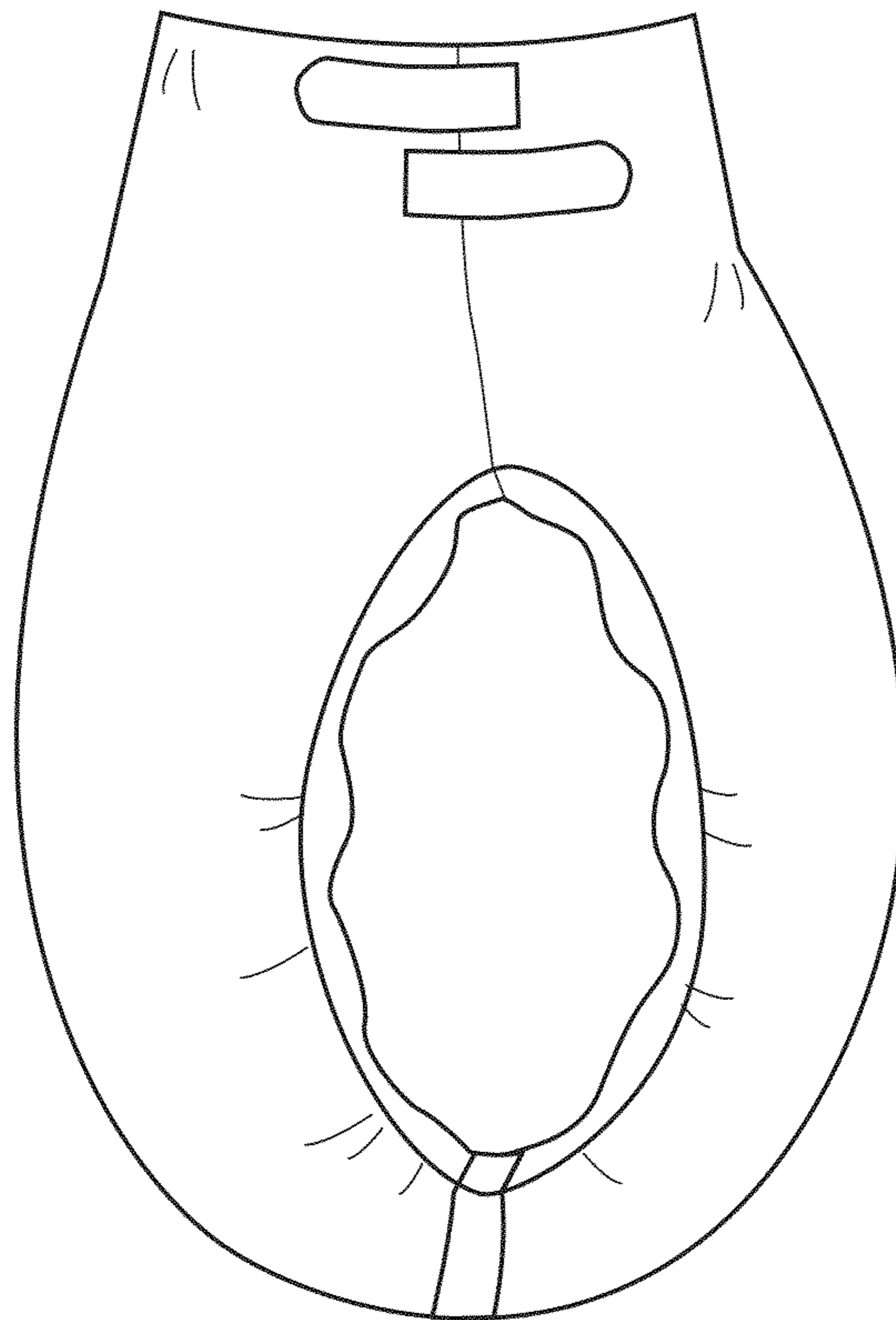


Figure 9

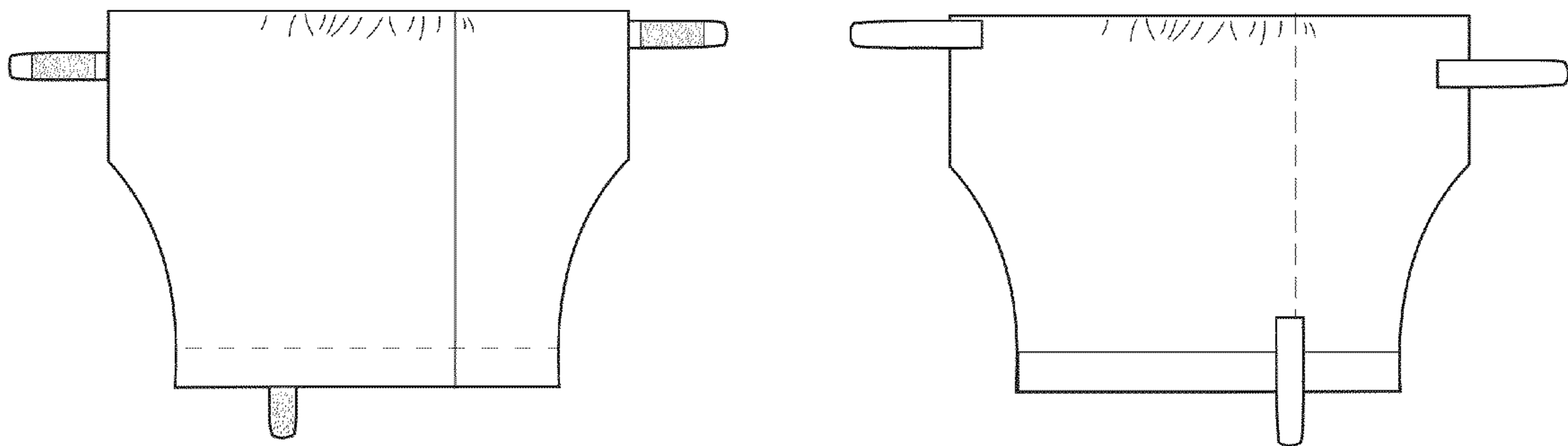


Figure 10

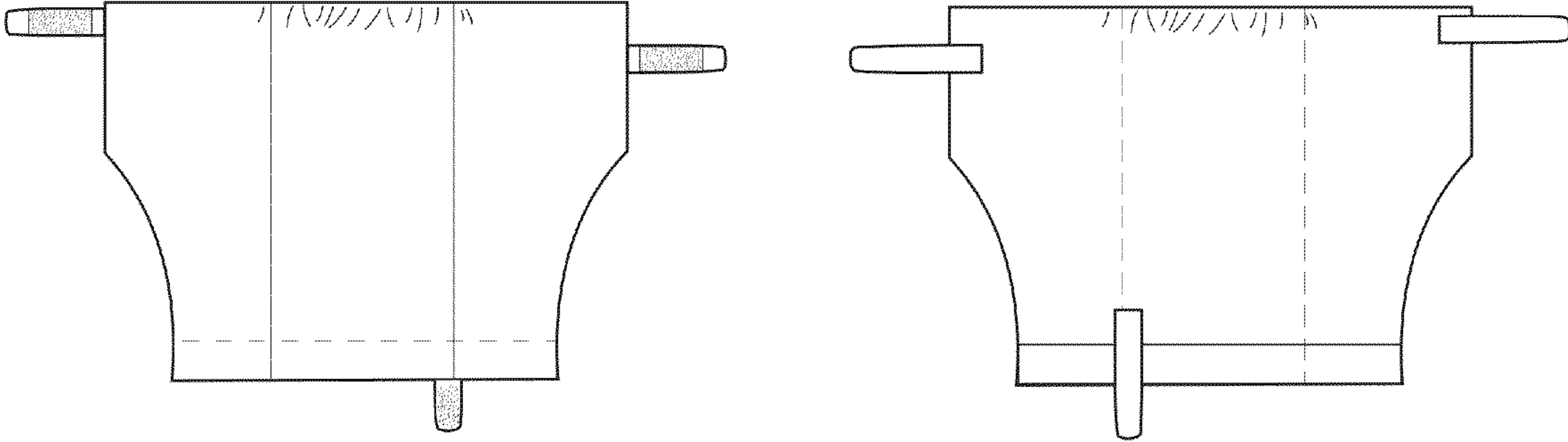


Figure 11

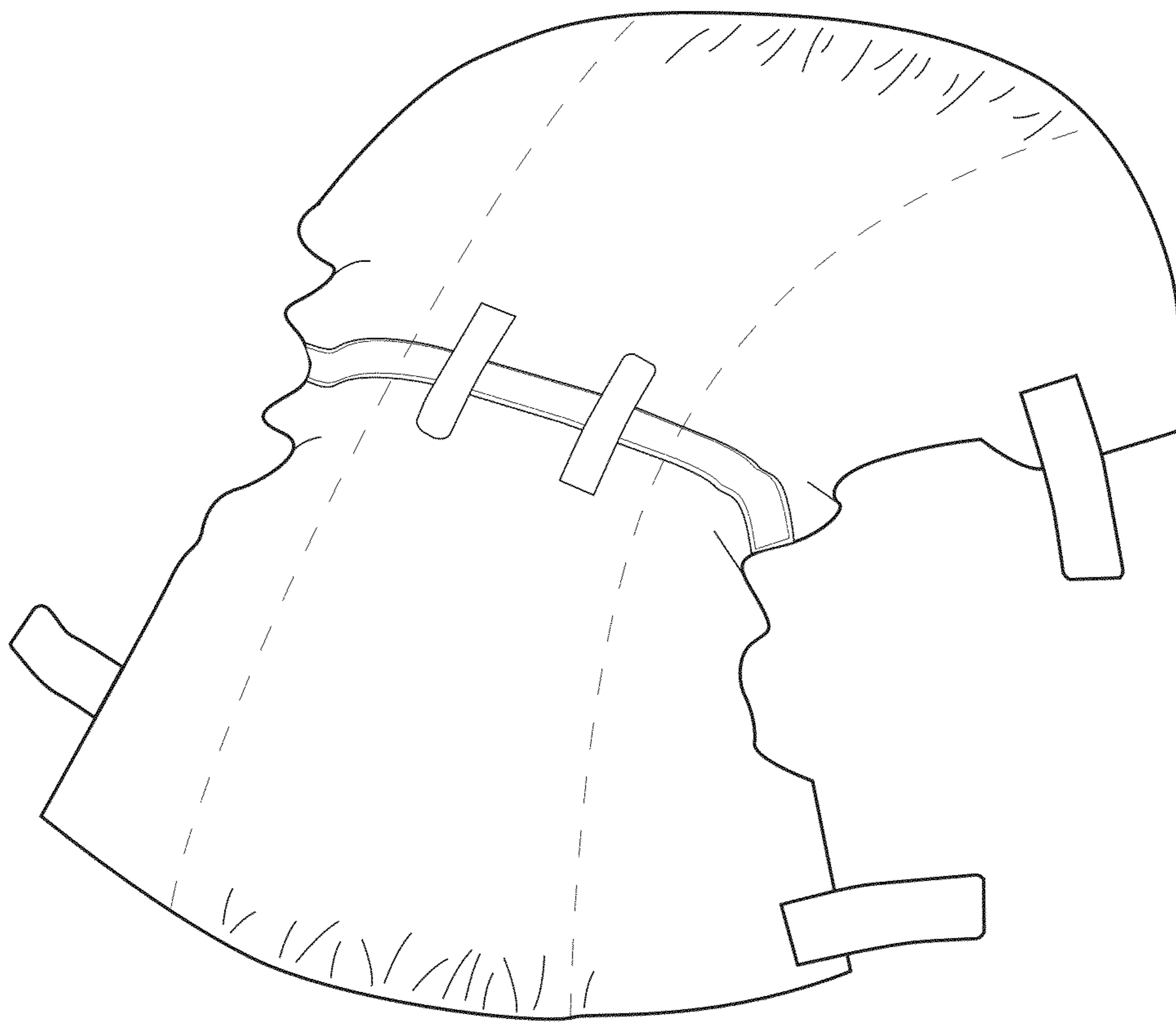


Figure 12

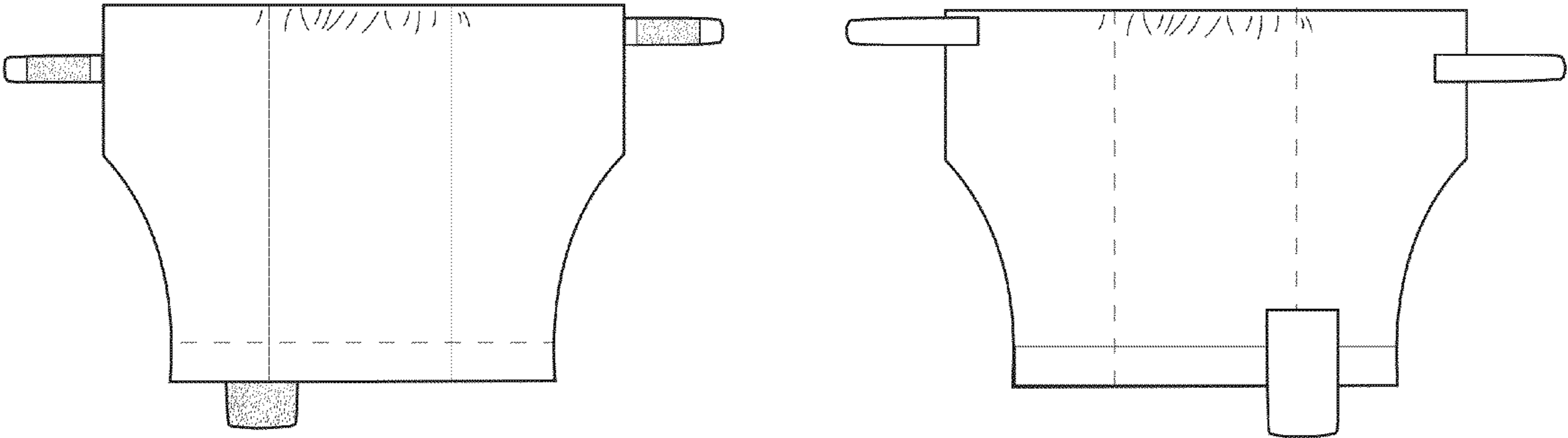


Figure 13

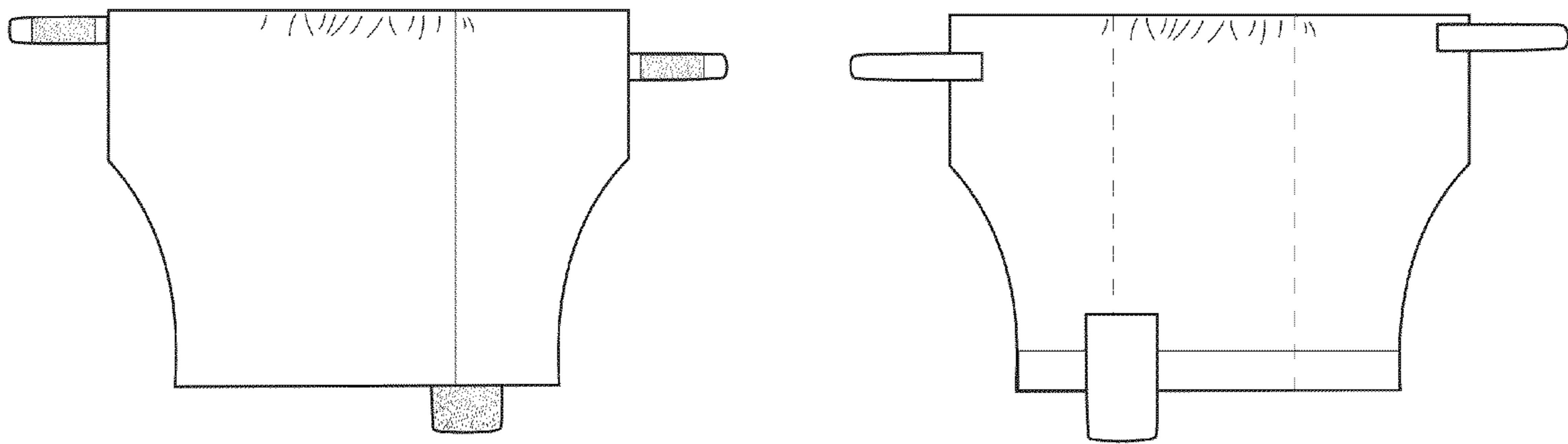


Figure 14

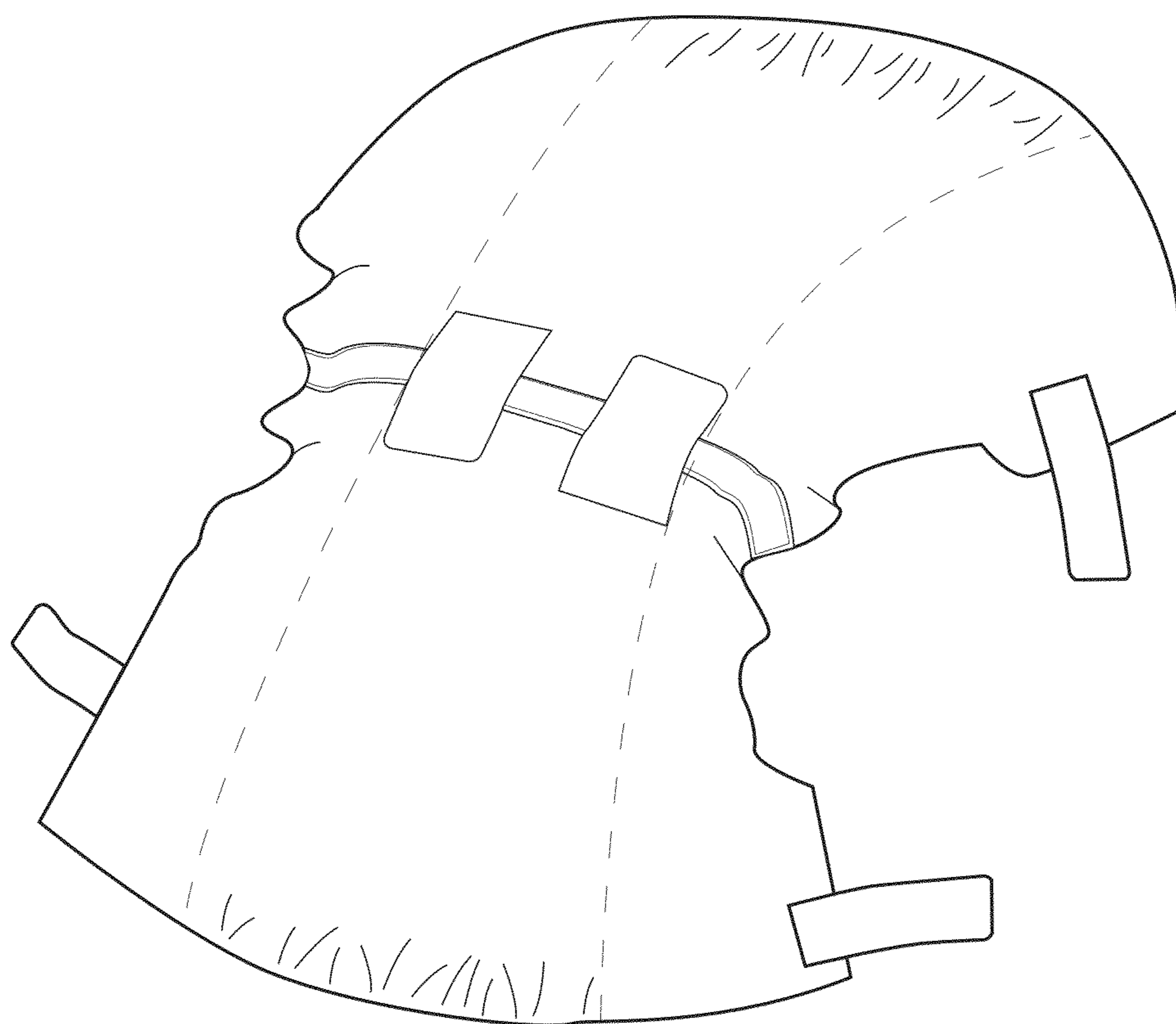


Figure 15

