



US00D735846S

(12) **United States Design Patent**  
**McCoy et al.**

(10) **Patent No.:** **US D735,846 S**  
(45) **Date of Patent:** **\*\* Aug. 4, 2015**

(54) **INTEGRATED MASK AND HOOD**  
(75) Inventors: **Theresa M. McCoy**, Cumming, GA  
(US); **Damon R. Larkin**, Alpharetta, GA  
(US); **Tong J. Kim**, Roswell, GA (US);  
**Herb F. Velazquez**, Alpharetta, GA  
(US); **Jaime-Ramon Cassar**, Reigate  
(GB)

(73) Assignee: **Kimberly-Clark Worldwide, Inc.**,  
Neenah, WI (US)

(\*\*) Term: **14 Years**

(21) Appl. No.: **29/424,492**

(22) Filed: **Jun. 13, 2012**

(51) **LOC (10) Cl.** ..... **29-02**

(52) **U.S. Cl.**  
USPC ..... **D24/110.6**

(58) **Field of Classification Search**  
USPC ..... D24/110.1–110.6; D29/1;  
128/201.13–201.28, 205.24–205.25,  
128/206.14–206.24, 207.12; 2/421–424  
See application file for complete search history.

(56) **References Cited**

U.S. PATENT DOCUMENTS

- 3,839,738 A \* 10/1974 Coslett ..... 2/421
- 3,885,558 A 5/1975 Belkin
- 3,943,575 A 3/1976 Bolker
- 4,032,991 A 7/1977 Vandeweghe
- D261,073 S \* 10/1981 Spruill et al. .... D24/110.3
- 4,411,023 A \* 10/1983 Pinson ..... 2/7
- 4,589,408 A 5/1986 Singer
- D303,166 S \* 8/1989 Stackhouse et al. .... D29/110
- 4,870,959 A \* 10/1989 Reisman et al. .... 128/201.25
- 4,961,232 A 10/1990 Hulsey
- 4,998,534 A \* 3/1991 Claxton et al. .... 600/483
- 5,027,810 A \* 7/1991 Patureau et al. .... 128/206.24
- 5,040,530 A \* 8/1991 Bauer et al. .... 128/206.12

- 5,067,174 A 11/1991 Ritchey et al.
- 5,103,815 A \* 4/1992 Siegel et al. .... 128/205.23
- 5,140,980 A \* 8/1992 Haughey et al. .... 128/201.25
- 5,253,642 A 10/1993 Stackhouse et al.
- 5,269,024 A 12/1993 Wyatt

(Continued)

FOREIGN PATENT DOCUMENTS

- GB 2468160 A 9/2010
- JP 2003049312 A 2/2003
- JP 2008237358 A 10/2008

Primary Examiner — Richard E Chilcot

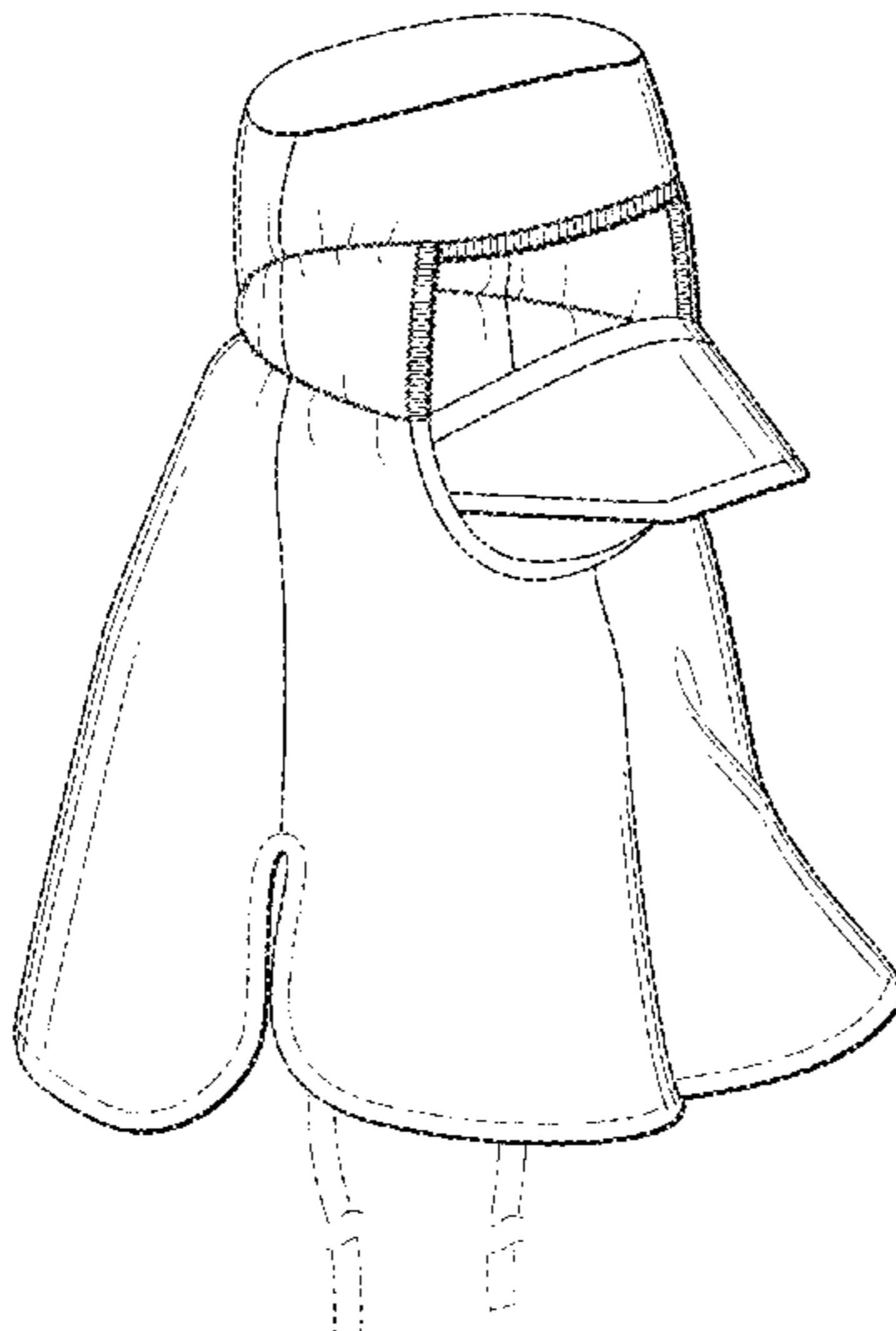
(57) **CLAIM**

We claim the ornamental design for an integrated mask and hood, as shown and described.

**DESCRIPTION**

FIG. 1 is a perspective view showing a first embodiment of our new design of an integrated mask and hood;  
 FIG. 2 is a front view of the integrated mask and hood;  
 FIG. 3 is a right side view of the integrated mask and hood;  
 FIG. 4 is a left side view of the integrated mask and hood;  
 FIG. 5 is a top view of the integrated mask and hood;  
 FIG. 6 is a bottom view of the integrated mask and hood;  
 FIG. 7 is a front view of another embodiment of the integrated mask and hood;  
 FIG. 8 is a right side view of the integrated mask and hood shown in FIG. 7;  
 FIG. 9 is a left side view of the integrated mask and hood shown in FIG. 7;  
 FIG. 10 is a top view of the integrated mask and hood shown in FIG. 7; and,  
 FIG. 11 is a rear view of the integrated mask and hood of the present invention.  
 In the drawings, the broken lines shown in FIGS. 1-11 depict portions of the design that form no part of the claim.

**1 Claim, 11 Drawing Sheets**



(56)

**References Cited**

U.S. PATENT DOCUMENTS

D389,910 S \* 1/1998 Brunson et al. .... D24/110.3  
5,937,445 A 8/1999 Nicolo et al.  
6,266,828 B1 \* 7/2001 Corsini ..... 2/424  
D480,476 S \* 10/2003 Martinson et al. .... D24/110.6  
6,895,960 B2 \* 5/2005 Fabin ..... 128/201.23

D547,442 S \* 7/2007 Hine et al. .... D24/110.3  
7,251,841 B2 \* 8/2007 Corsini ..... 2/424  
7,540,039 B2 6/2009 Reaux  
7,603,724 B2 10/2009 Mickle  
7,937,775 B2 \* 5/2011 Manzella et al. .... 2/171.3  
2005/0132459 A1 6/2005 Cheng  
2009/0320835 A1 12/2009 Lin

\* cited by examiner

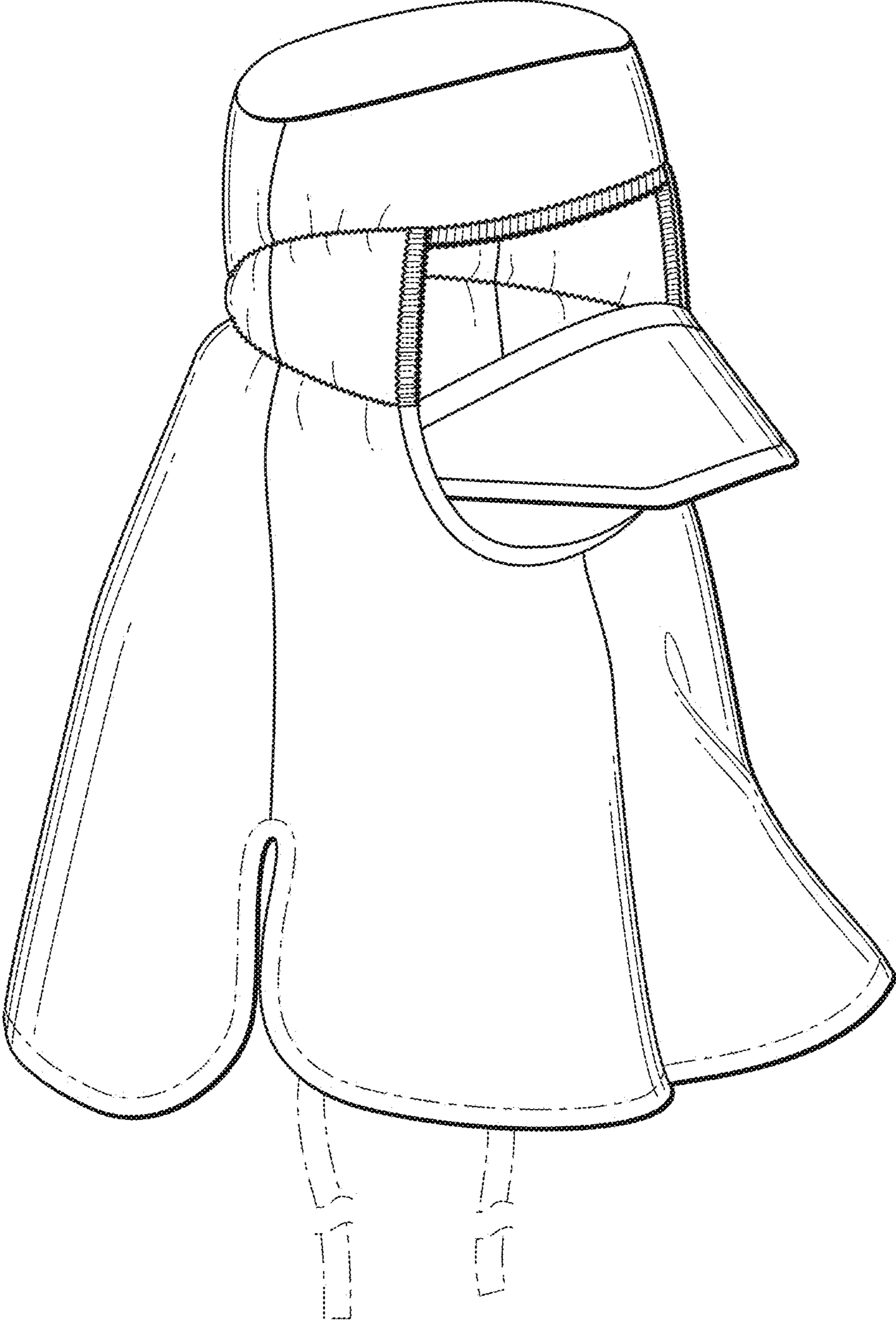


FIG. 1

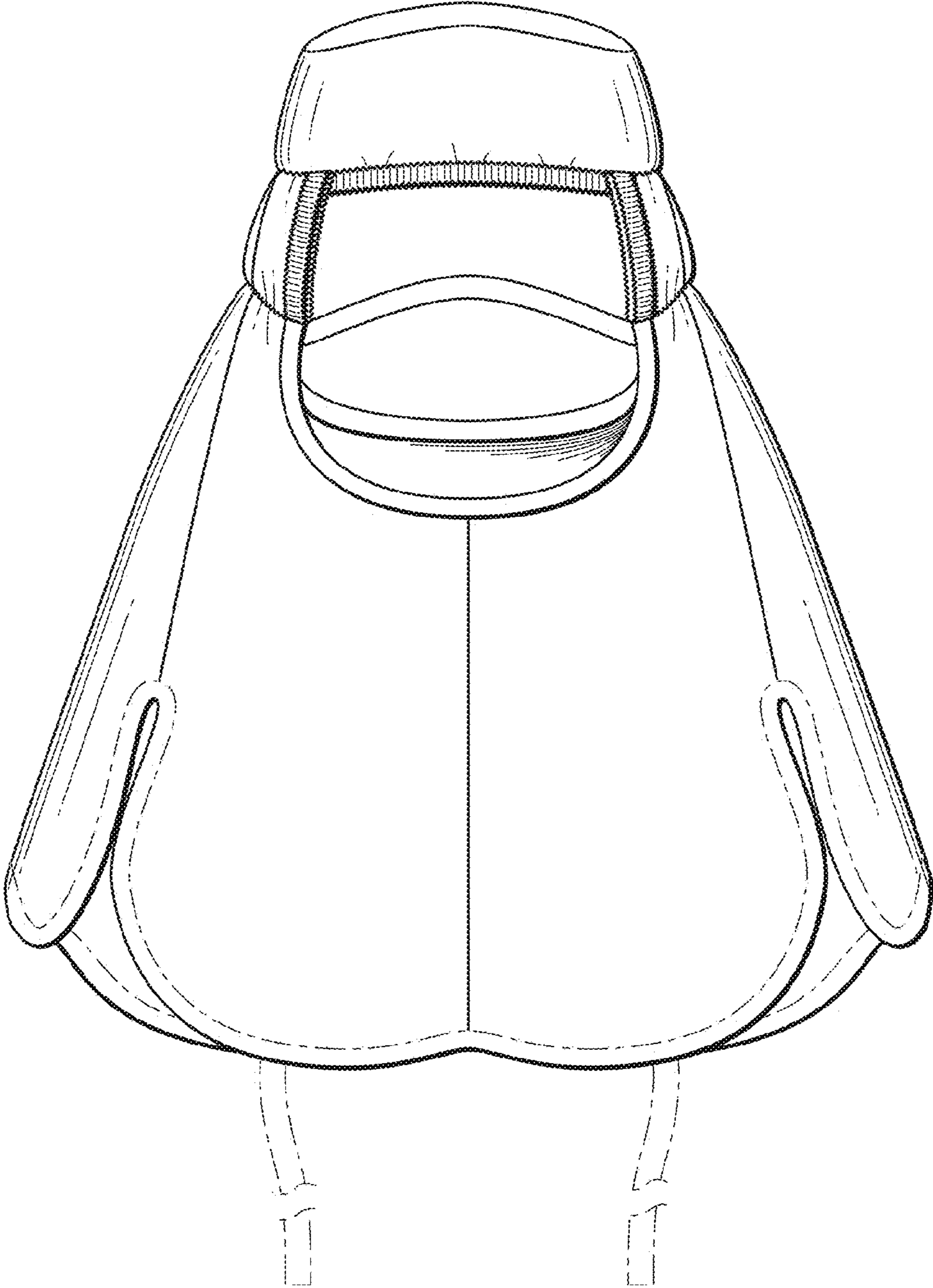


FIG. 2

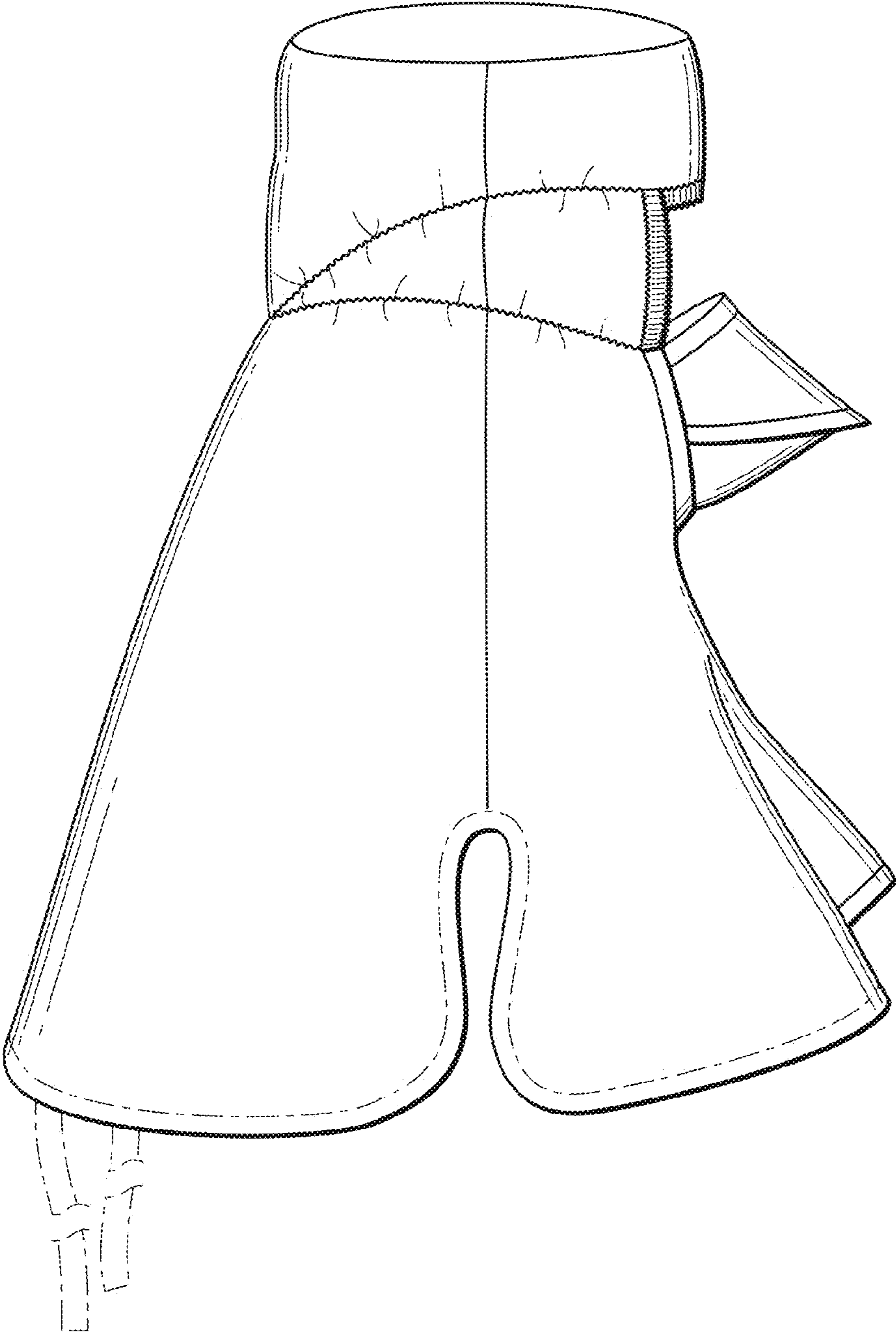


FIG. 3



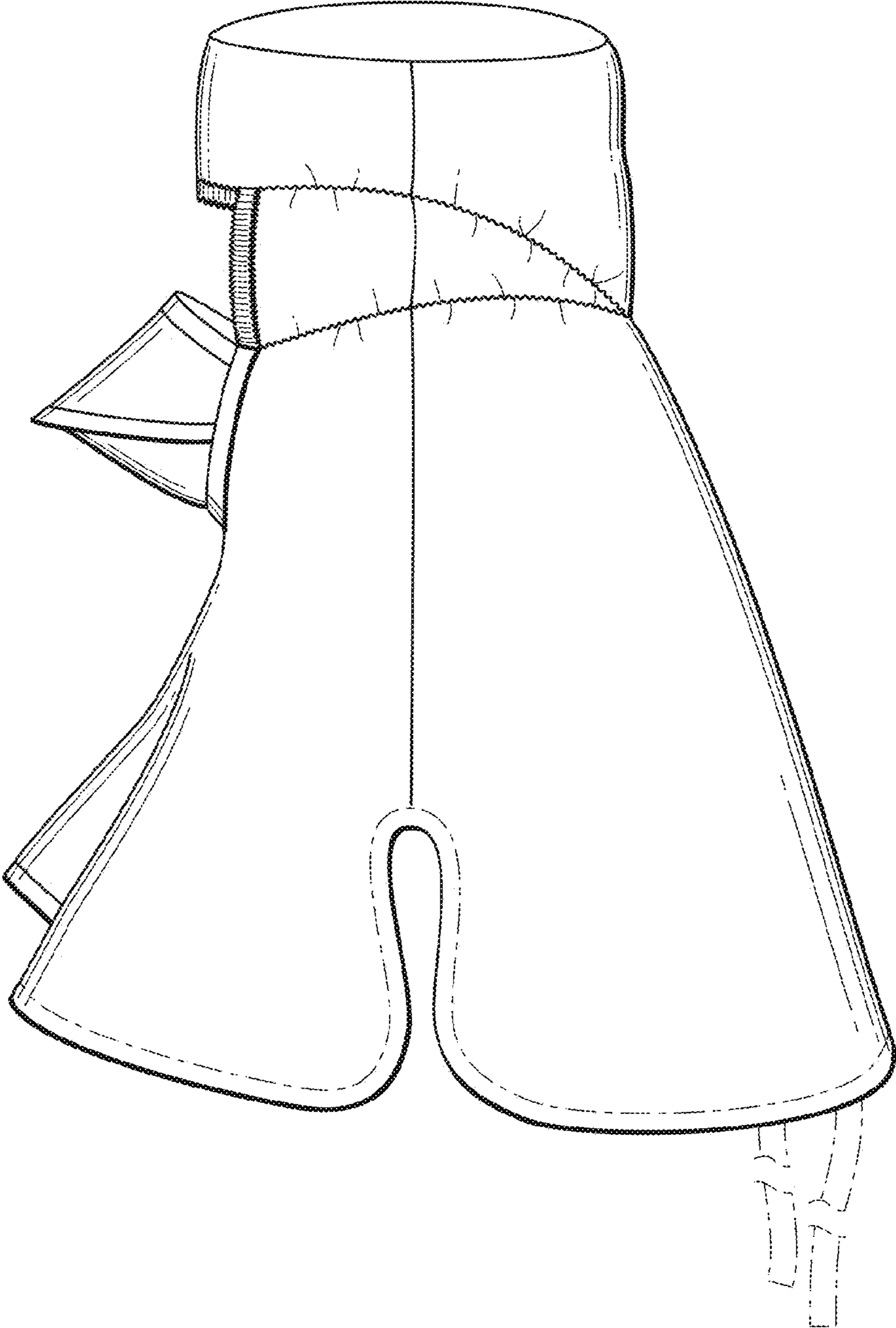


FIG. 4

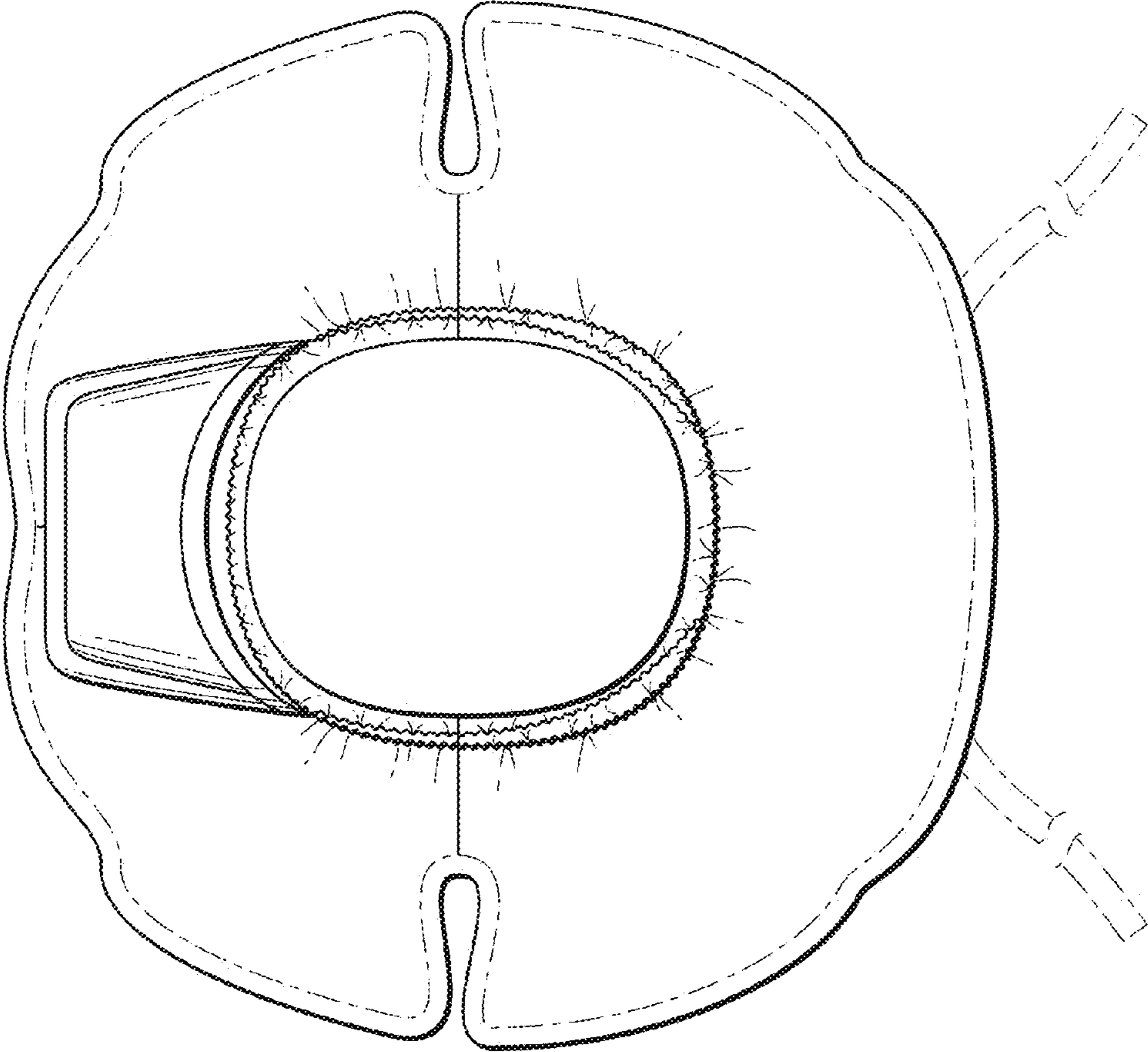


FIG. 5

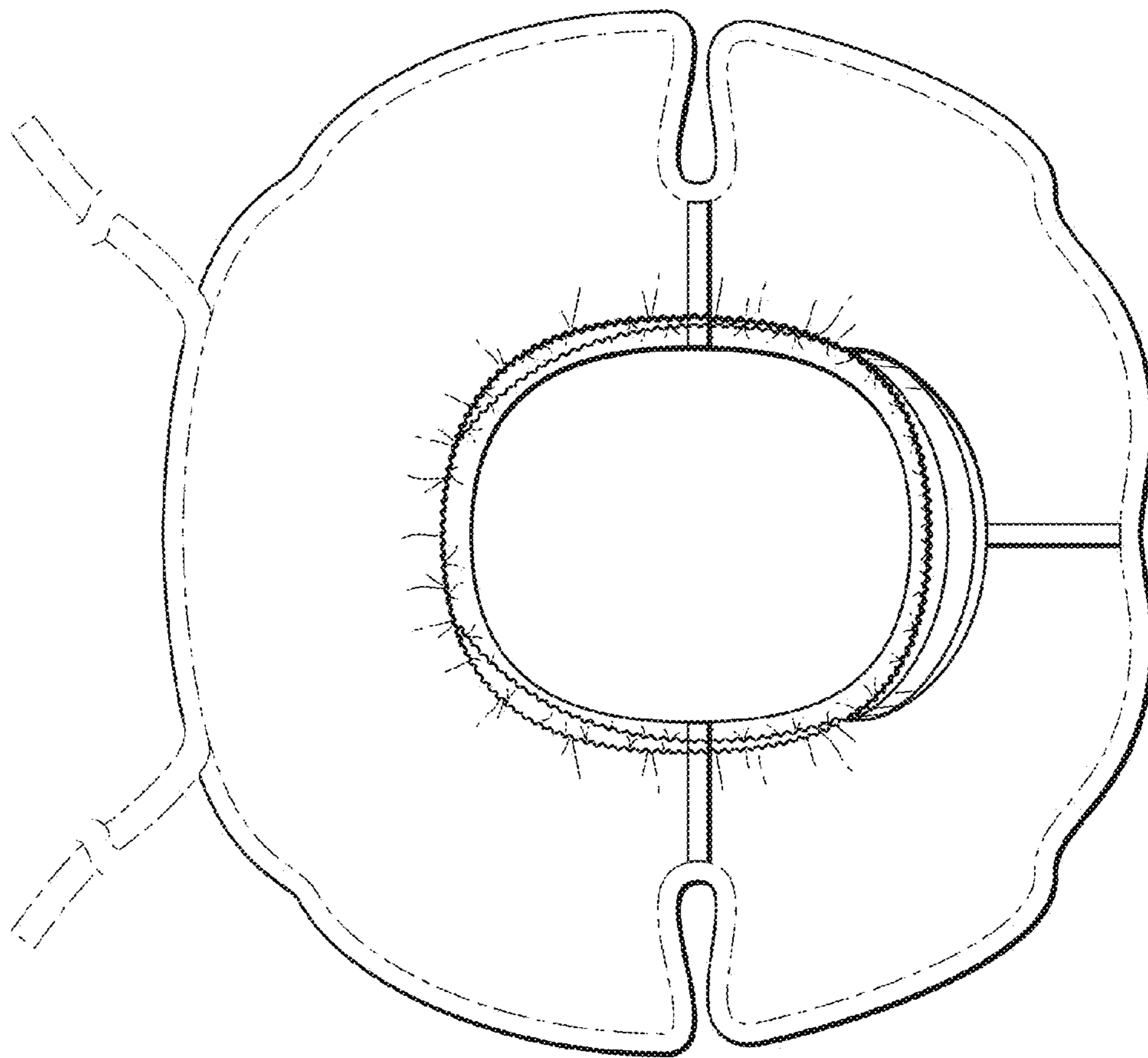


FIG. 6



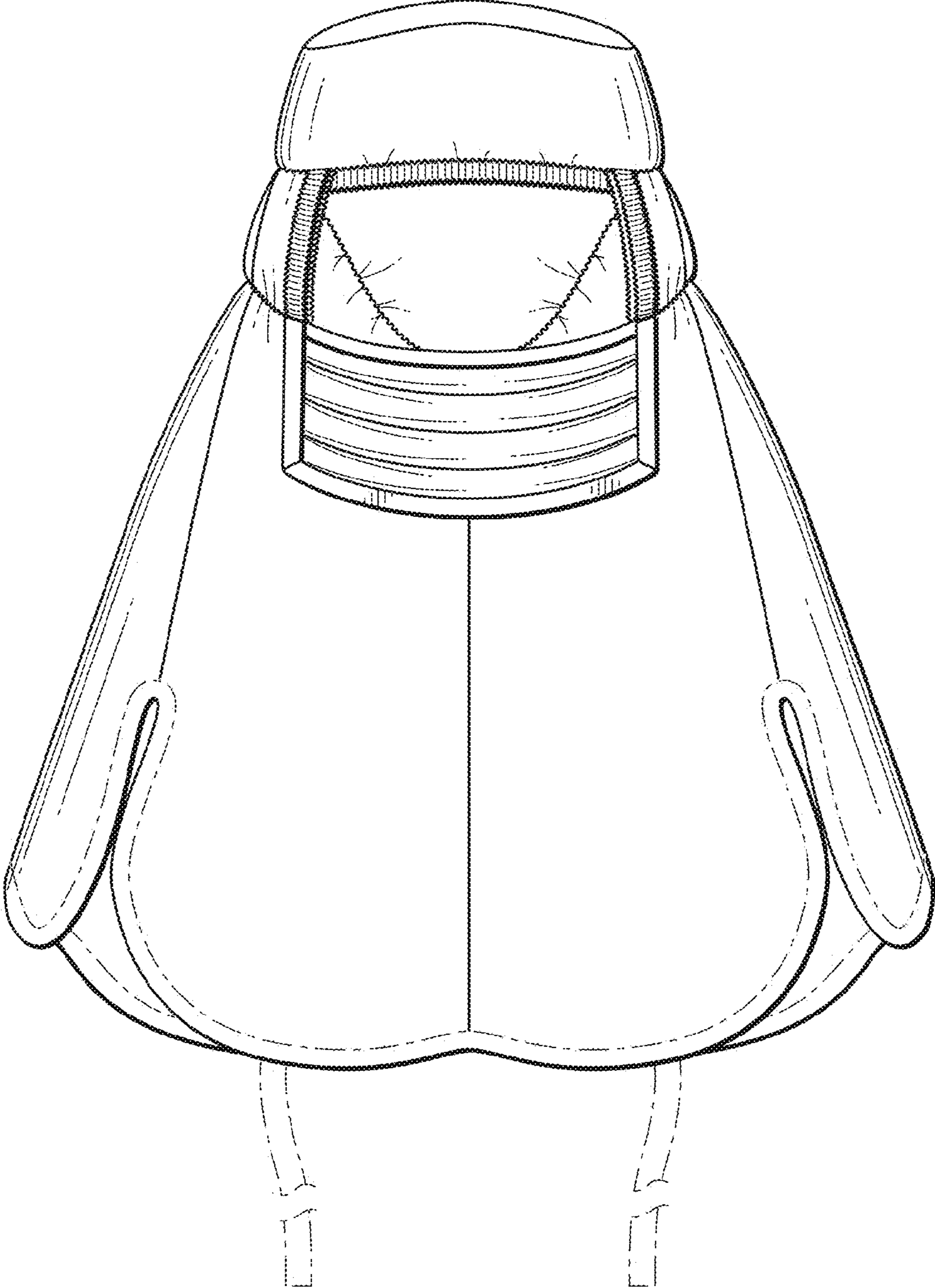


FIG. 7

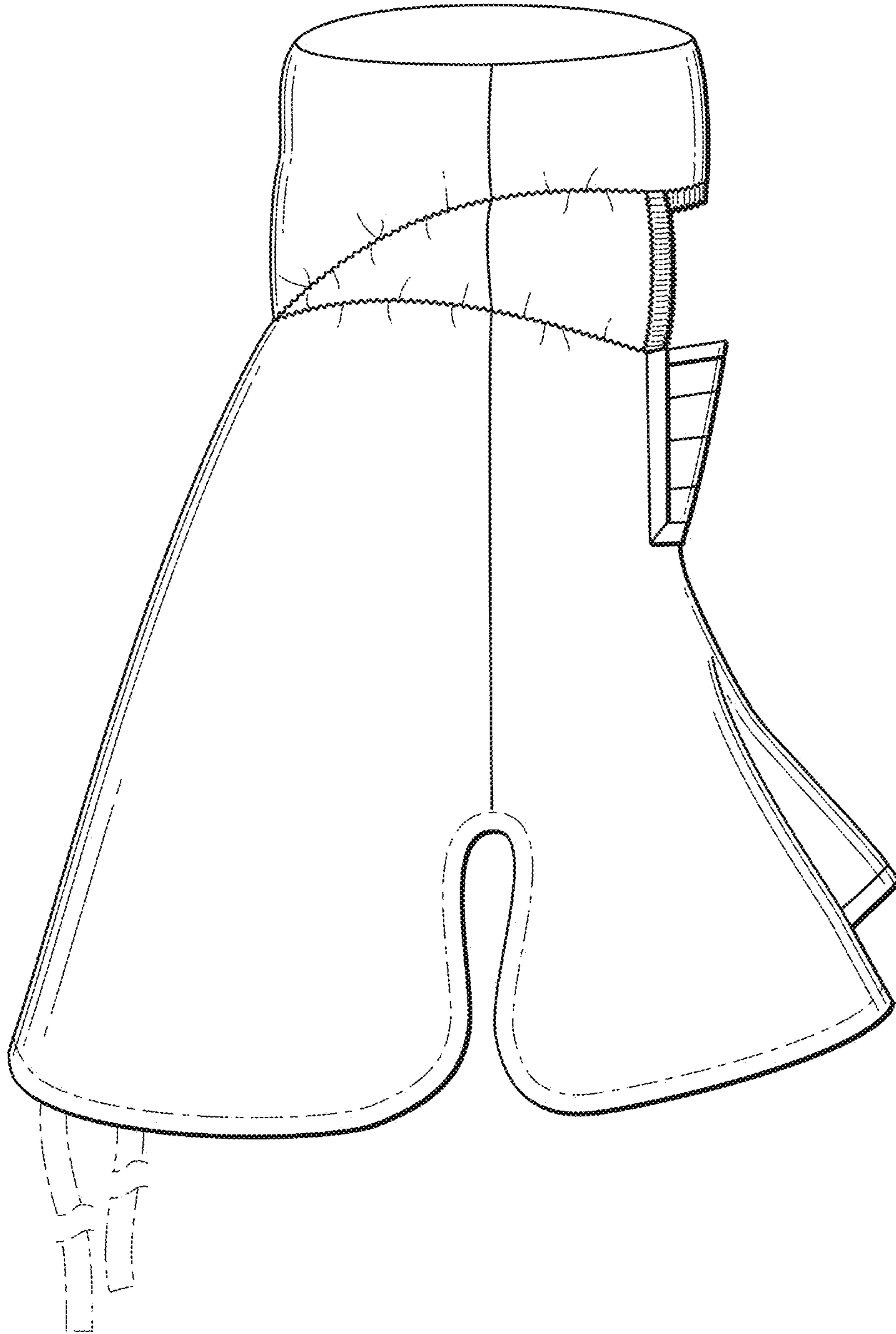


FIG. 8



FIG. 9

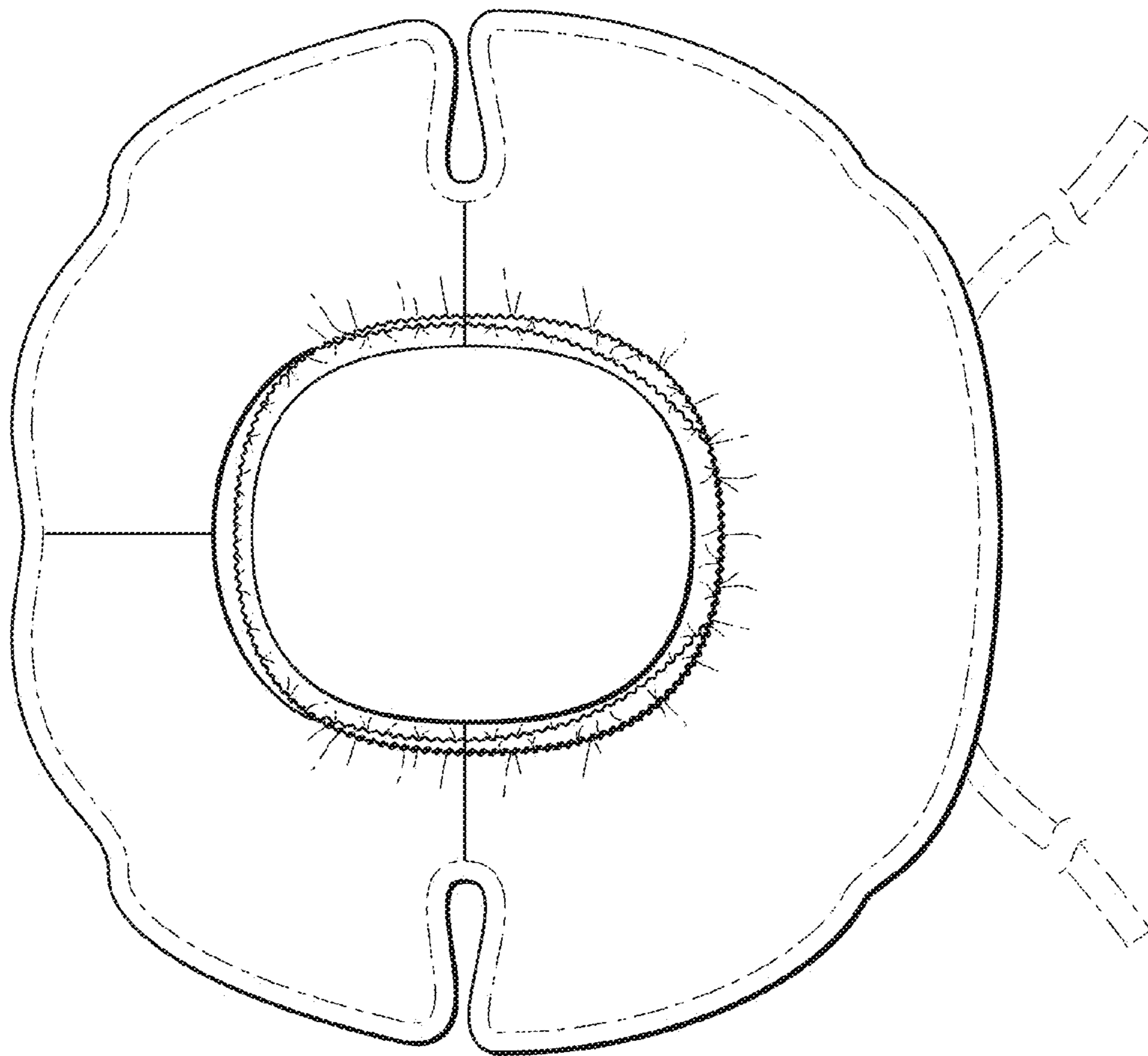


FIG. 10

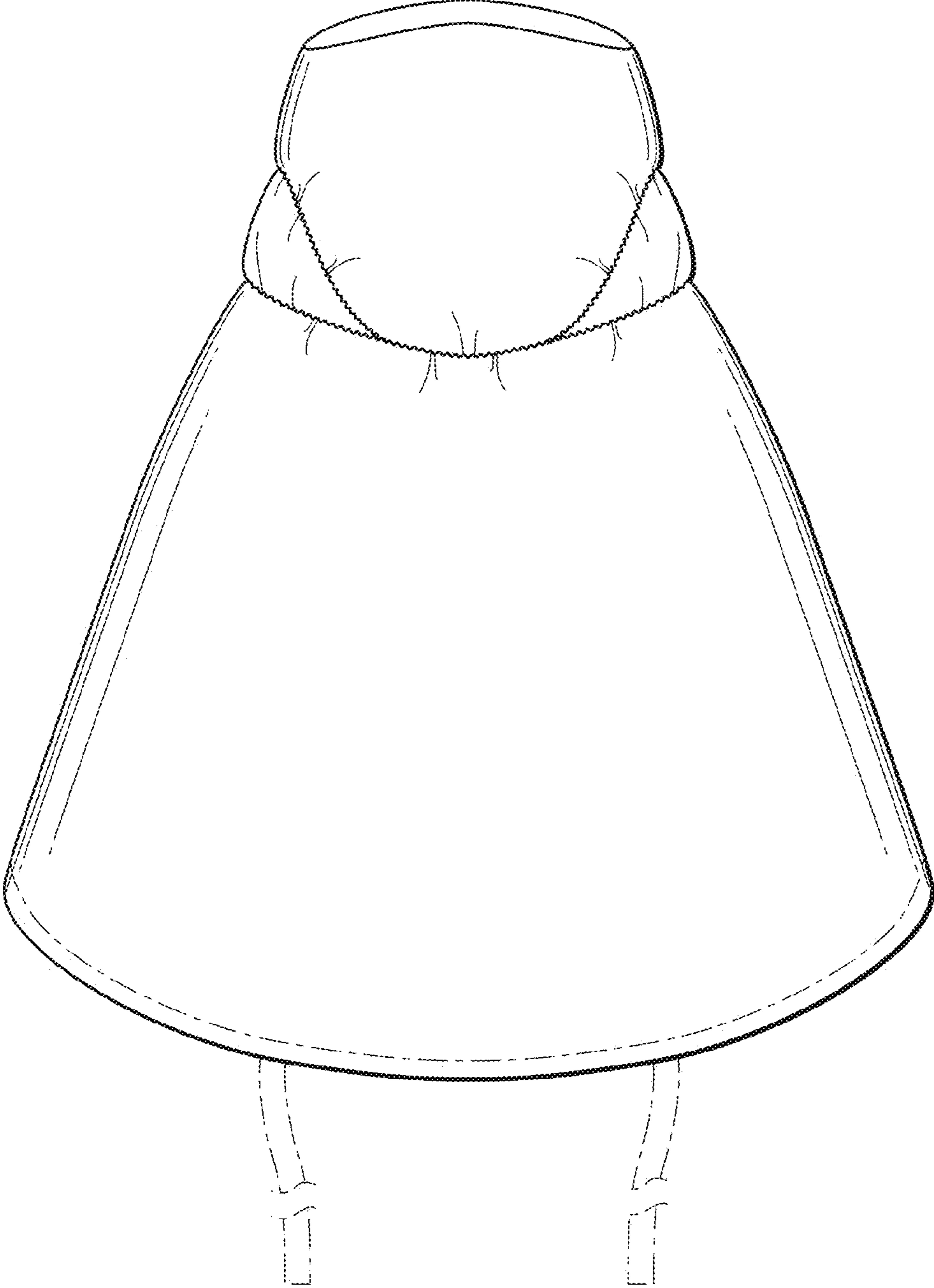


FIG. 11