



US00D735841S

(12) **United States Design Patent**  
**Obara et al.**

(10) **Patent No.:** **US D735,841 S**

(45) **Date of Patent:** **\*\* Aug. 4, 2015**

(54) **TRIP LEVER**

(71) Applicant: **TOTO, Ltd.**, Kitakyushu-shi, Fukuoka (JP)

(72) Inventors: **Mitsuya Obara**, Morrow, GA (US);  
**Steven Chen**, Morrow, GA (US)

(73) Assignee: **TOTO, Ltd.**, Kitakyushu-shi, Fukuoka (JP)

(\*\*) Term: **14 Years**

(21) Appl. No.: **29/487,603**

(22) Filed: **Apr. 10, 2014**

(51) **LOC (10) Cl.** ..... **23-01**

(52) **U.S. Cl.**  
USPC ..... **D23/313; D23/252**

(58) **Field of Classification Search**  
USPC ..... D23/252, 238-243, 254, 313, 301;  
4/675-678; 137/801

CPC ..... E03D 1/01; E03D 1/012  
See application file for complete search history.

(56) **References Cited**

U.S. PATENT DOCUMENTS

D284,500 S \* 7/1986 Bolgert et al. .... D23/252  
D664,242 S \* 7/2012 Gao et al. .... D23/252

\* cited by examiner

*Primary Examiner* — Robert Delehanty

(74) *Attorney, Agent, or Firm* — Banner & Witcoff, Ltd.

(57) **CLAIM**

The ornamental design for a trip lever, as shown and described.

**DESCRIPTION**

FIG. 1 is a perspective view of a trip lever showing our new design;

FIG. 2 is a front view thereof;

FIG. 3 is a rear view thereof;

FIG. 4 is a right side view thereof;

FIG. 5 is a top view thereof; and,

FIG. 6 is a bottom view thereof.

The broken lines shown are included for the purpose of illustrating the unclaimed portions of the trip lever and form no part of the claimed design.

**1 Claim, 5 Drawing Sheets**

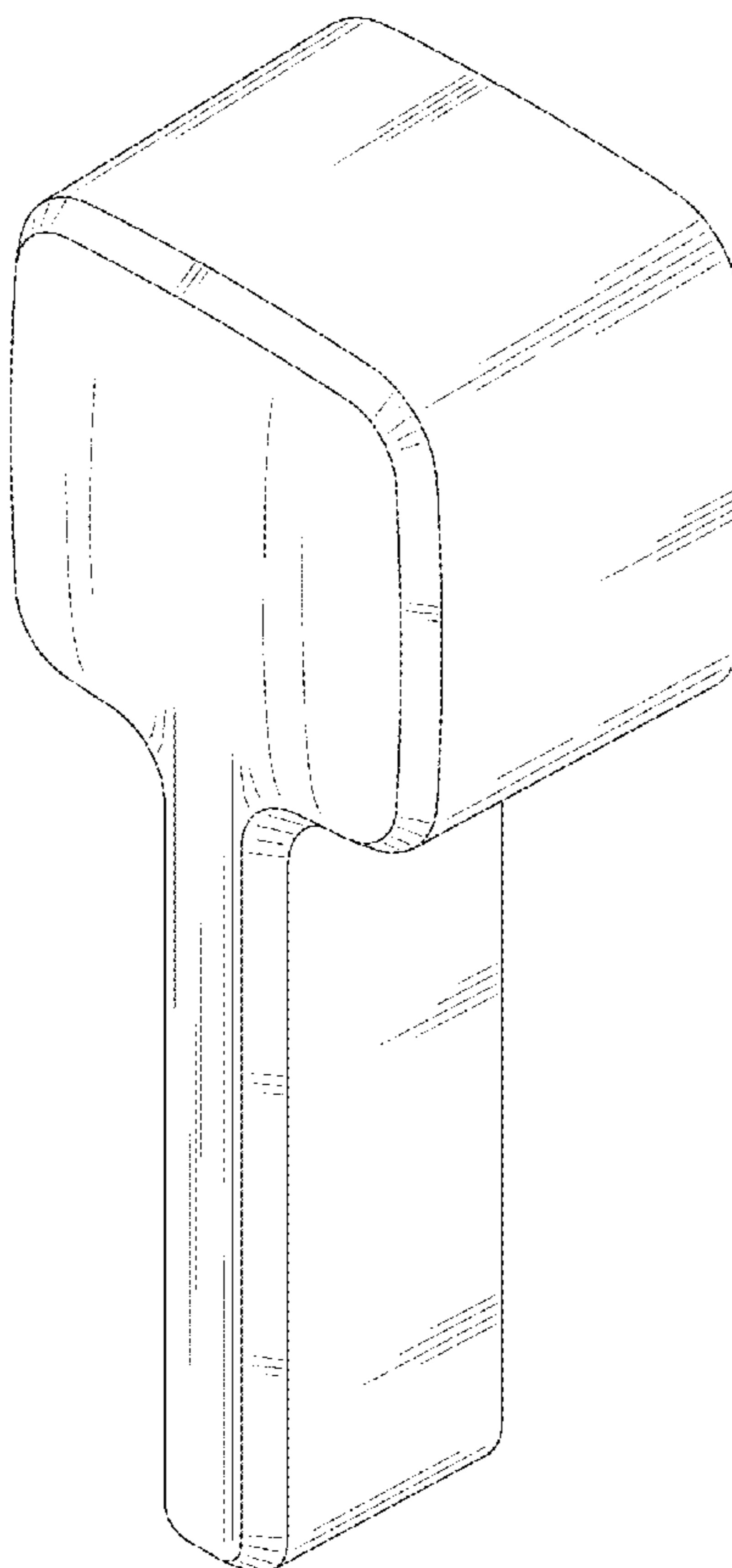


Fig. 1

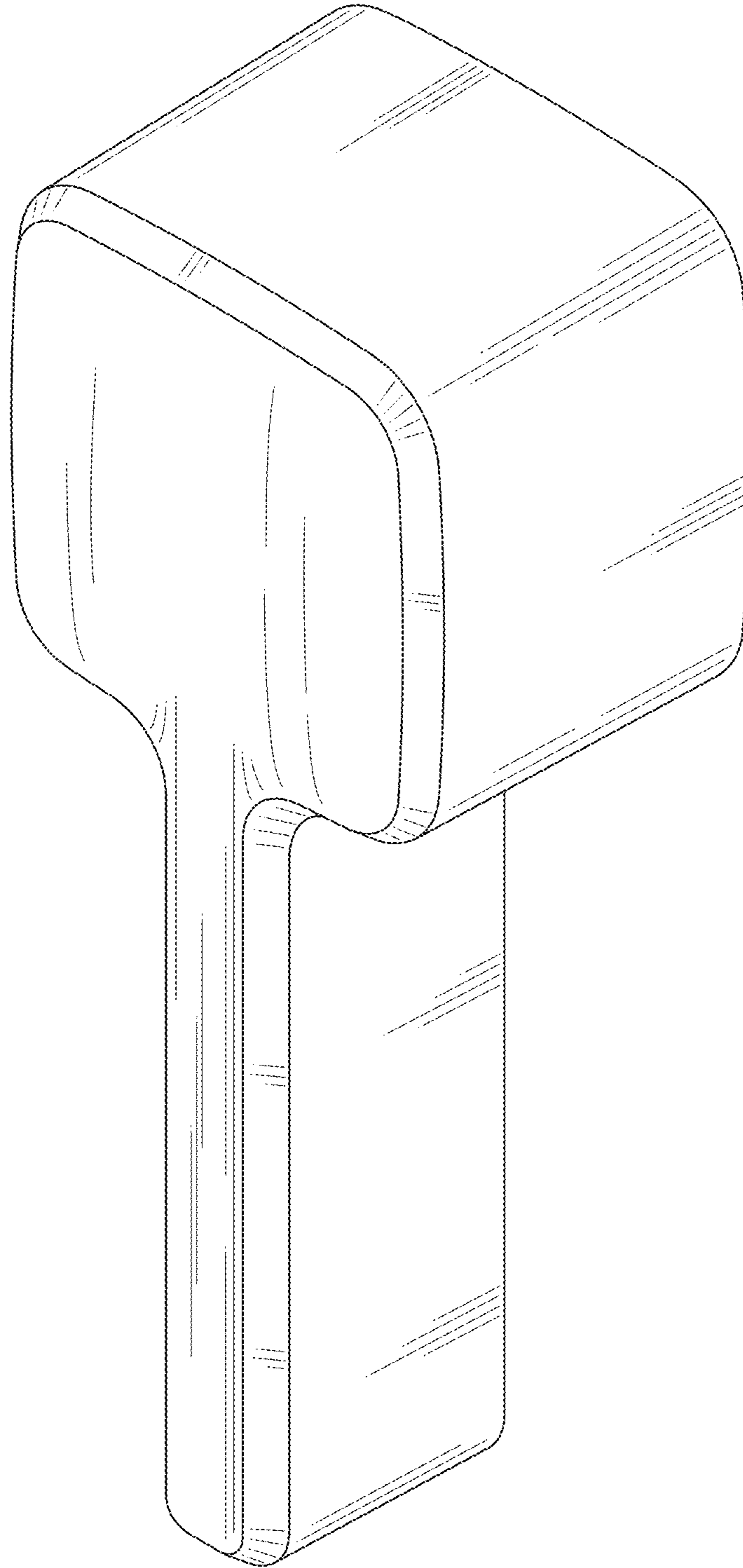


Fig. 2

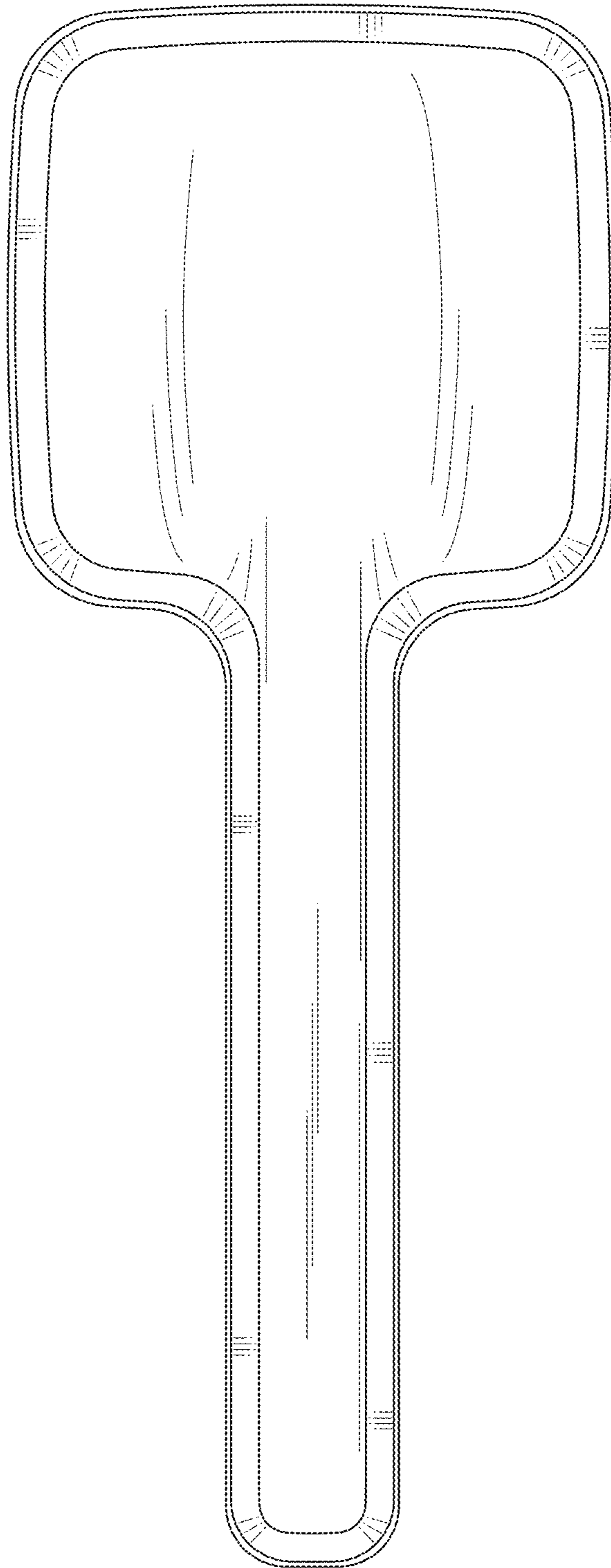


Fig. 3

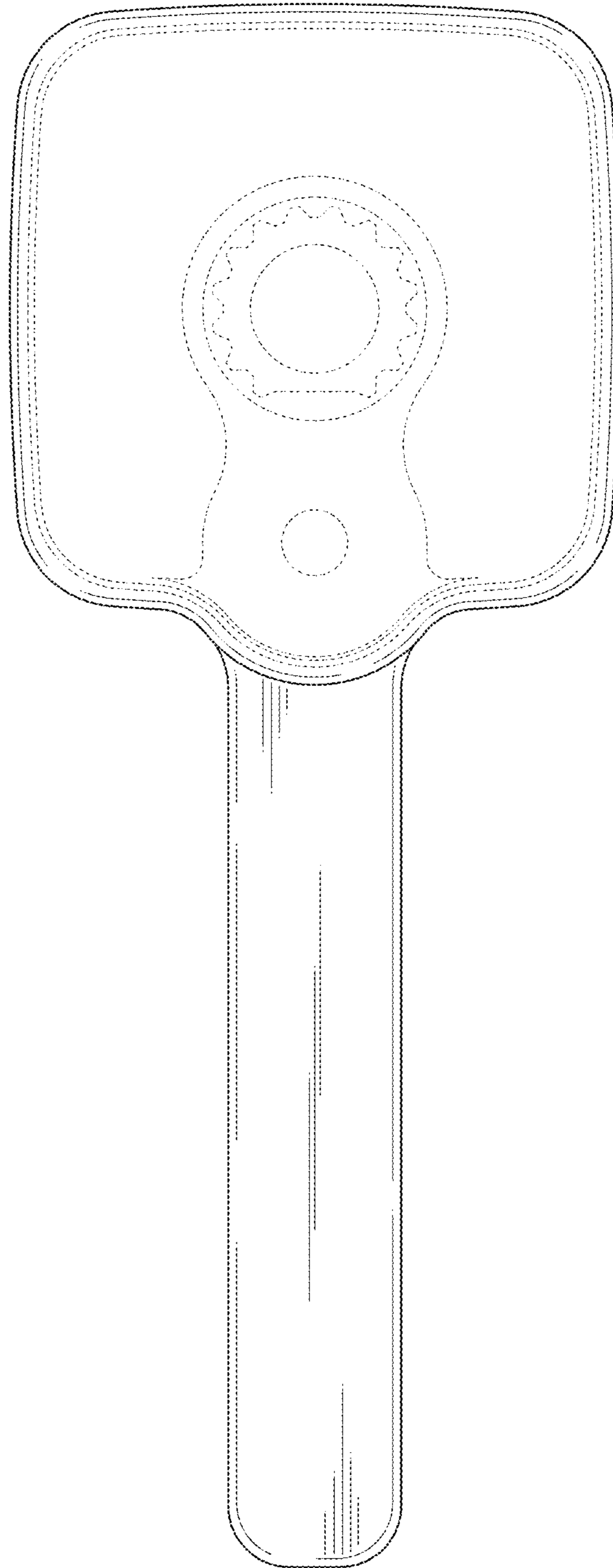


Fig. 4

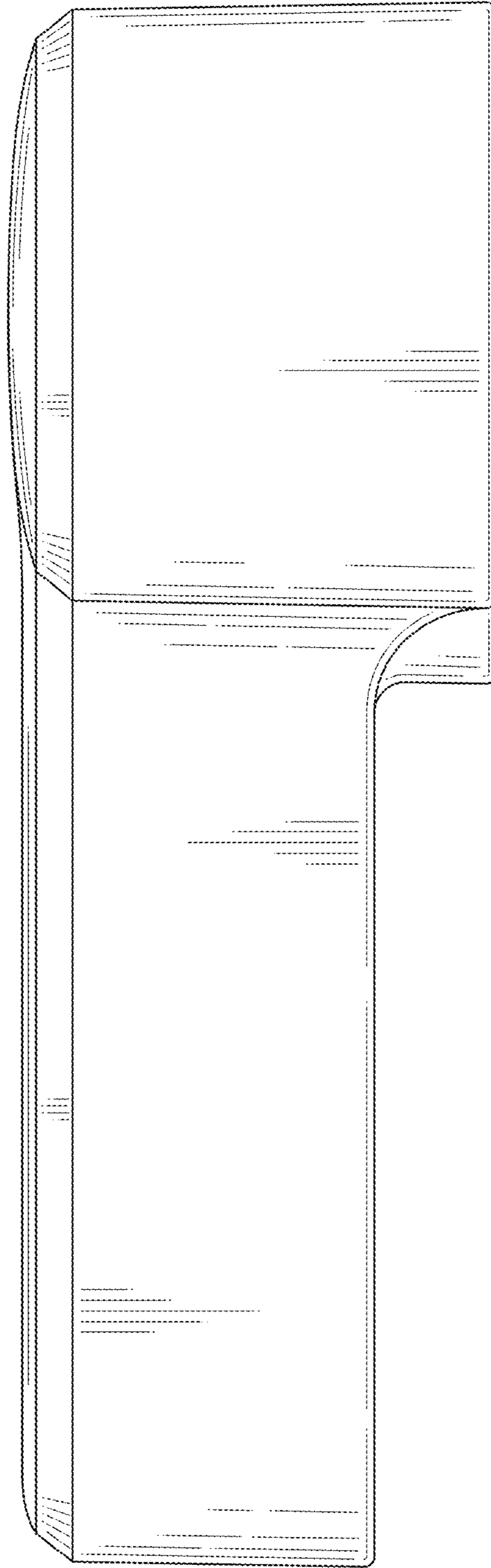


Fig. 5

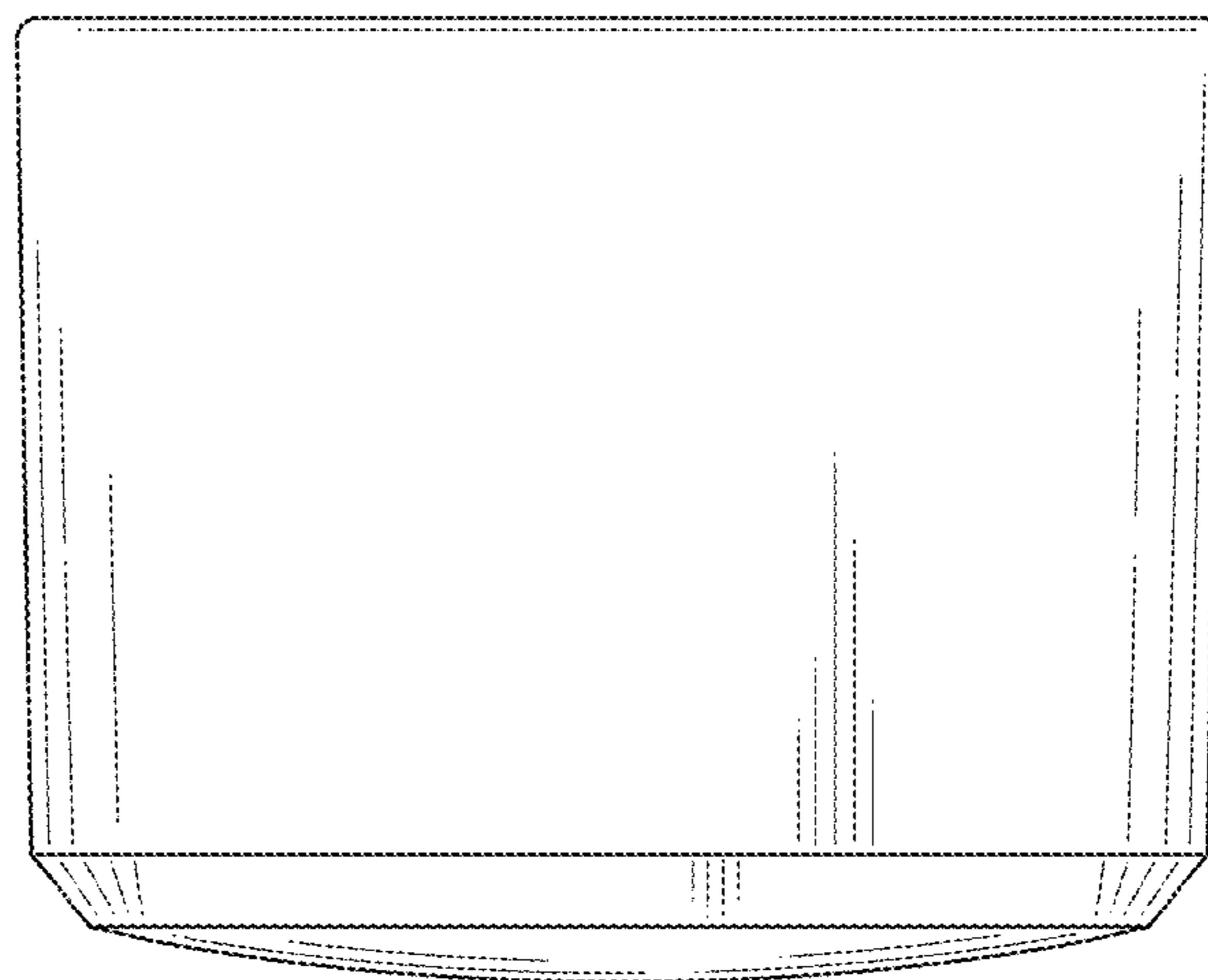


Fig. 6

