



US00D735839S

(12) **United States Design Patent**
Nelson et al.

(10) **Patent No.:** **US D735,839 S**
(45) **Date of Patent:** **** Aug. 4, 2015**

(54) **TOILET ASSEMBLY**

(71) Applicant: **LiftSeat Corporation**, Lombard, IL (US)
(72) Inventors: **Jeffrey Cogan Nelson**, Chicago, IL (US); **Gregory Charles Kilgore**, Aurora, IL (US)
(73) Assignee: **LIFTSEAT CORPORATION**, Lombard, IL (US)

(**) Term: **14 Years**

(21) Appl. No.: **29/495,370**

(22) Filed: **Jun. 30, 2014**

(51) **LOC (10) Cl.** **23-02**

(52) **U.S. Cl.**
USPC **D23/299**

(58) **Field of Classification Search**
USPC D23/299, 296, 303, 309, 311;
4/234-241, 902, 312, 466, 449, 471,
4/460, 667, 480, 448; D6/663-664
CPC A61G 7/1007; A61G 5/14; E03D 7/00
See application file for complete search history.

(56) **References Cited**

U.S. PATENT DOCUMENTS

D482,765 S *	11/2003	Ming-Hwa	D23/309
D619,226 S *	7/2010	Nelson et al.	D23/299
D646,365 S *	10/2011	Parekh	D23/290
D711,518 S *	8/2014	Nelson et al.	D23/299

* cited by examiner

Primary Examiner — Robert Delehanty

(74) *Attorney, Agent, or Firm* — Moazzam & Associates, LLC

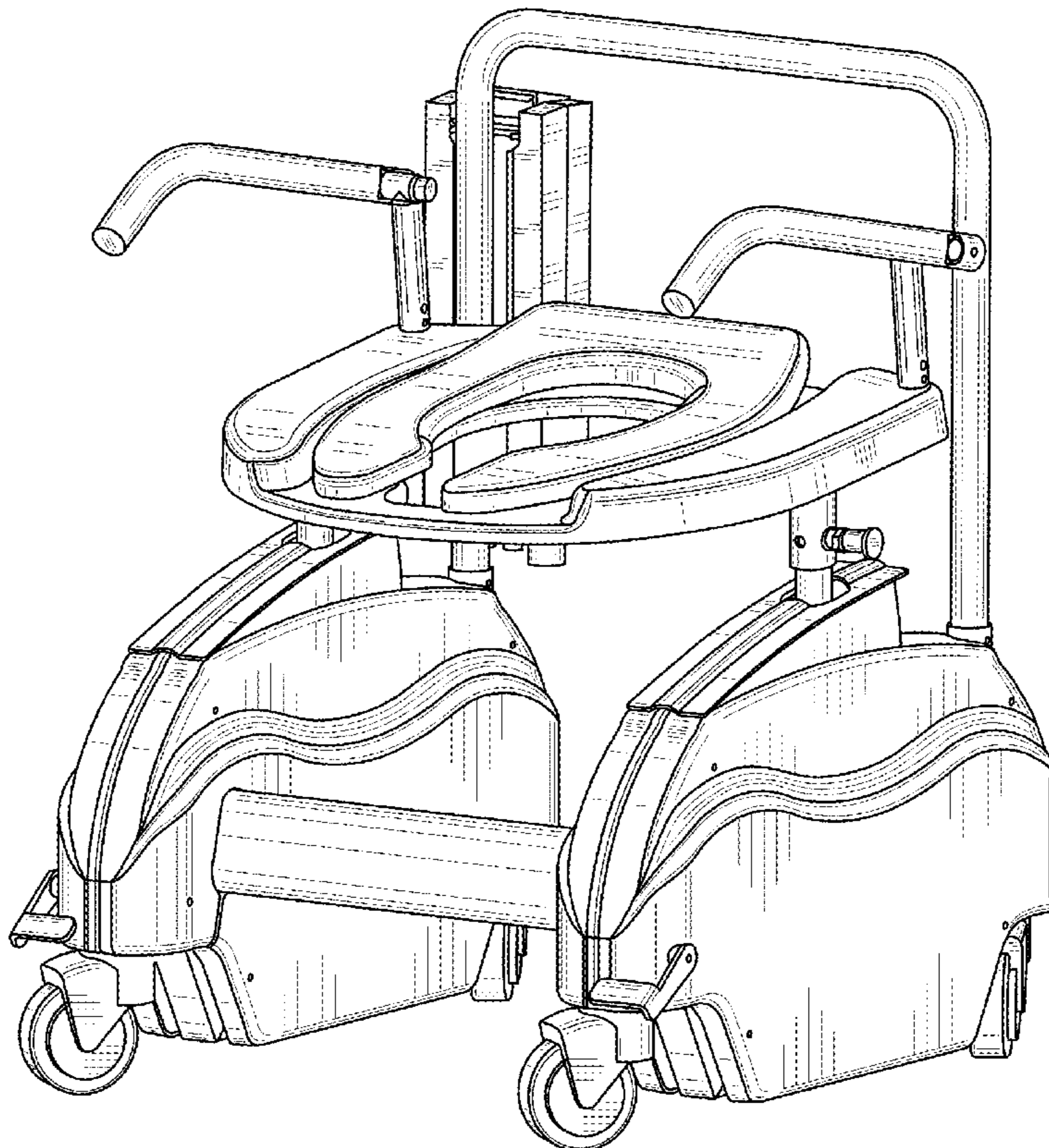
(57) **CLAIM**

The ornamental design for a toilet assembly, as shown and described.

DESCRIPTION

FIG. 1 is a front perspective view of a toilet assembly showing our new design; FIG. 2 is a front elevational view thereof; and FIG. 3 is a back elevational view thereof; and FIG. 4 is a right side elevational view thereof; FIG. 5 is a left side elevational view thereof; and, FIG. 6 is a top plan view thereof.

1 Claim, 6 Drawing Sheets



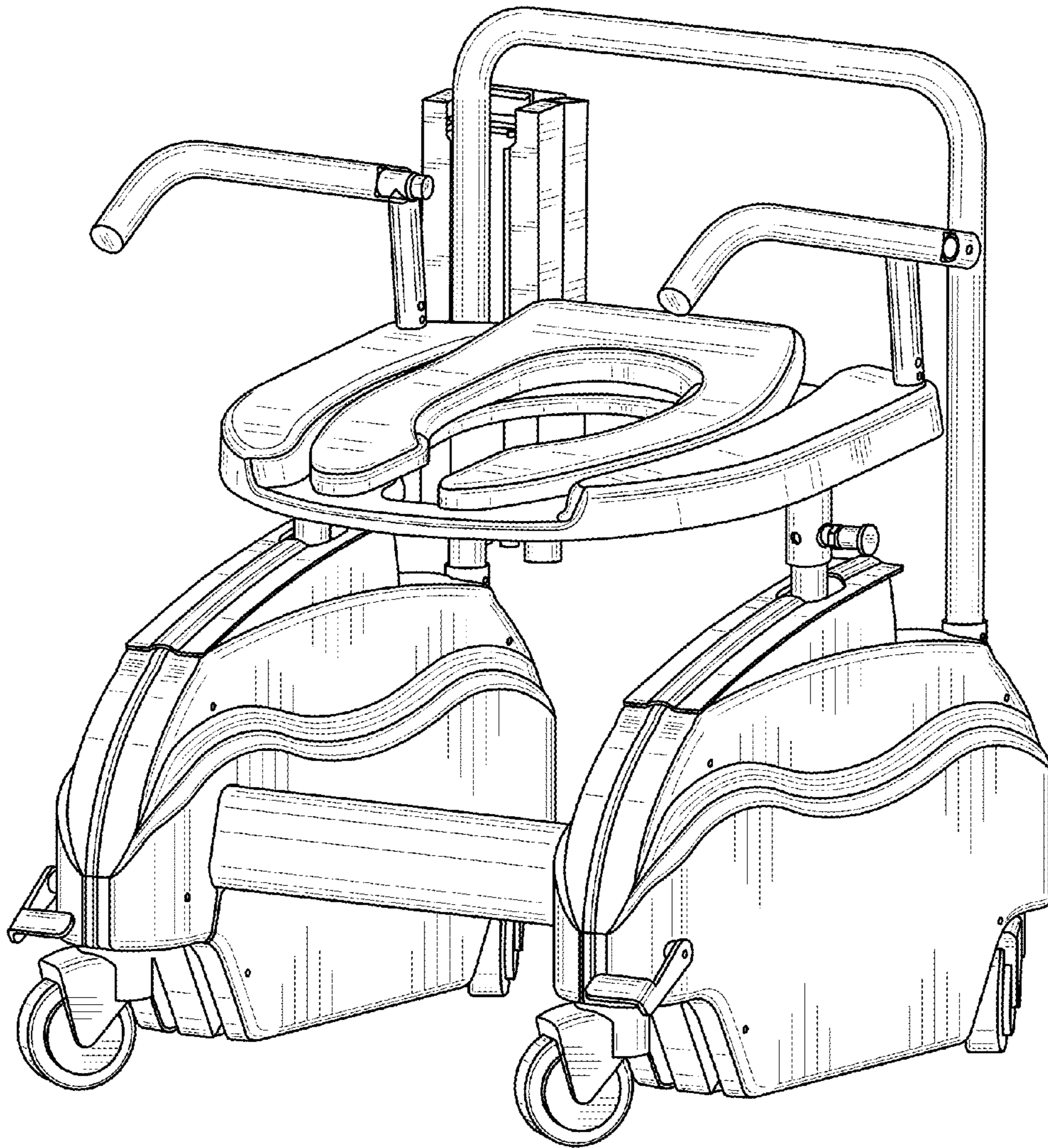


FIG. 1

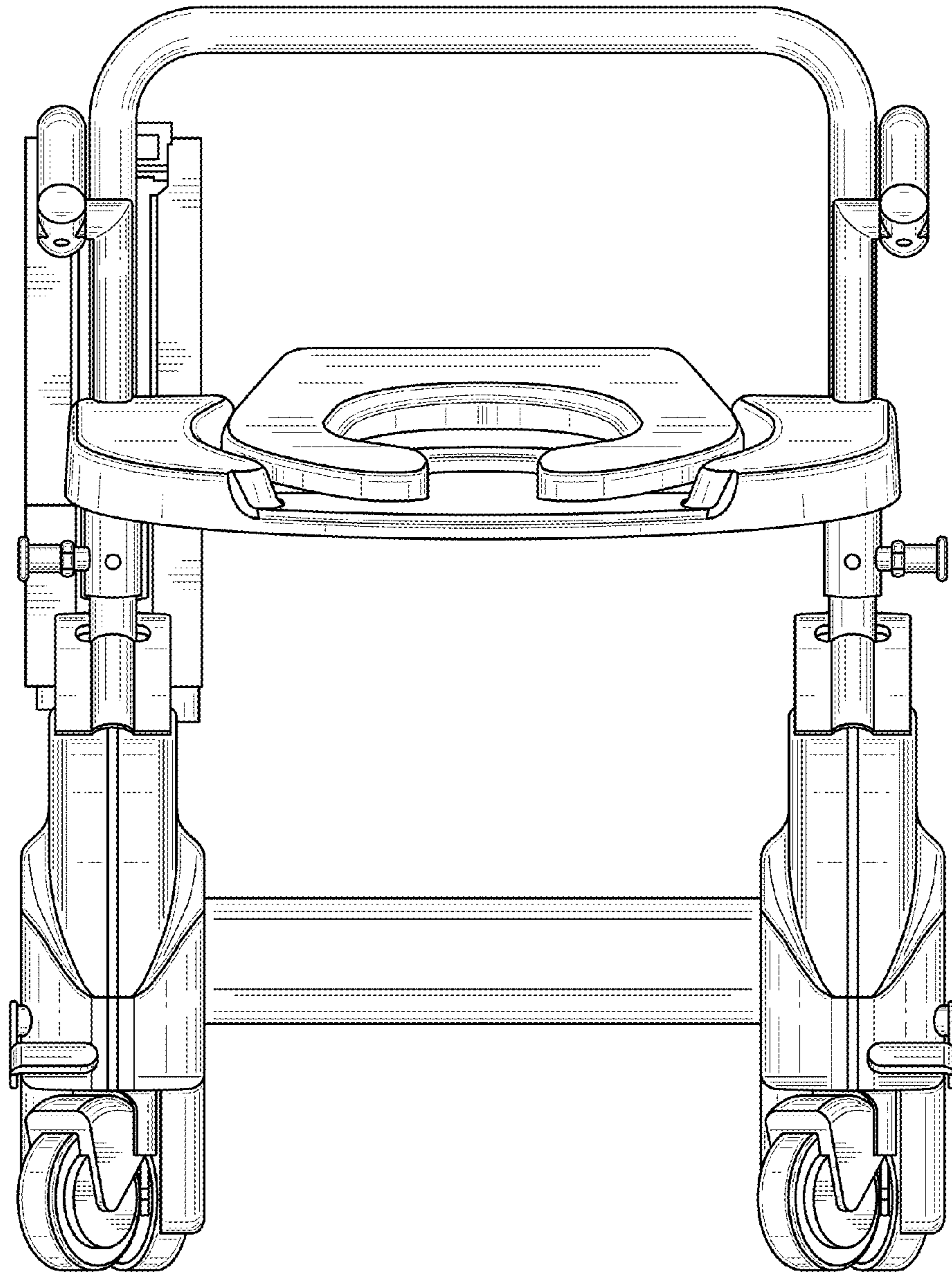


FIG. 2

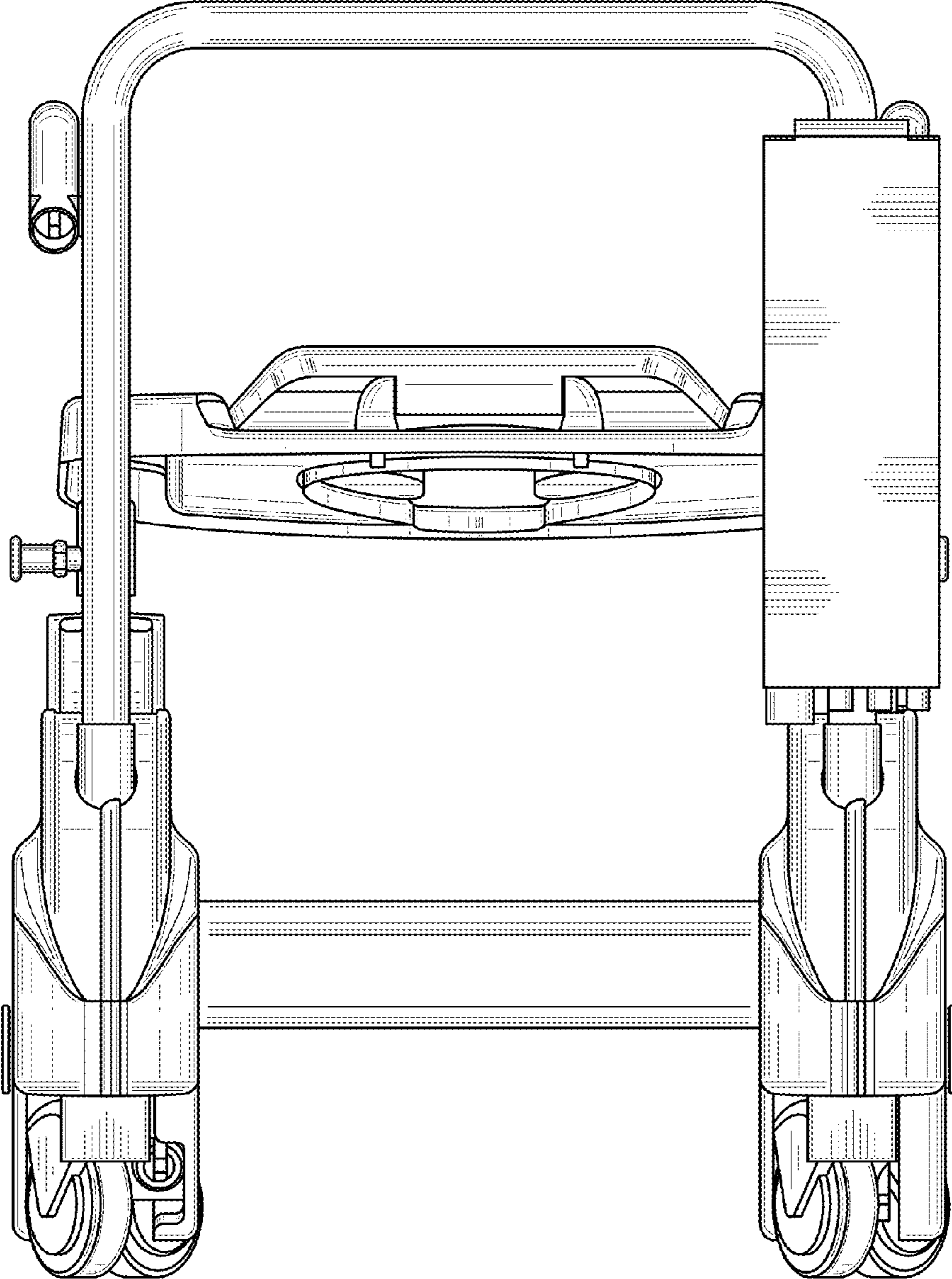


FIG. 3

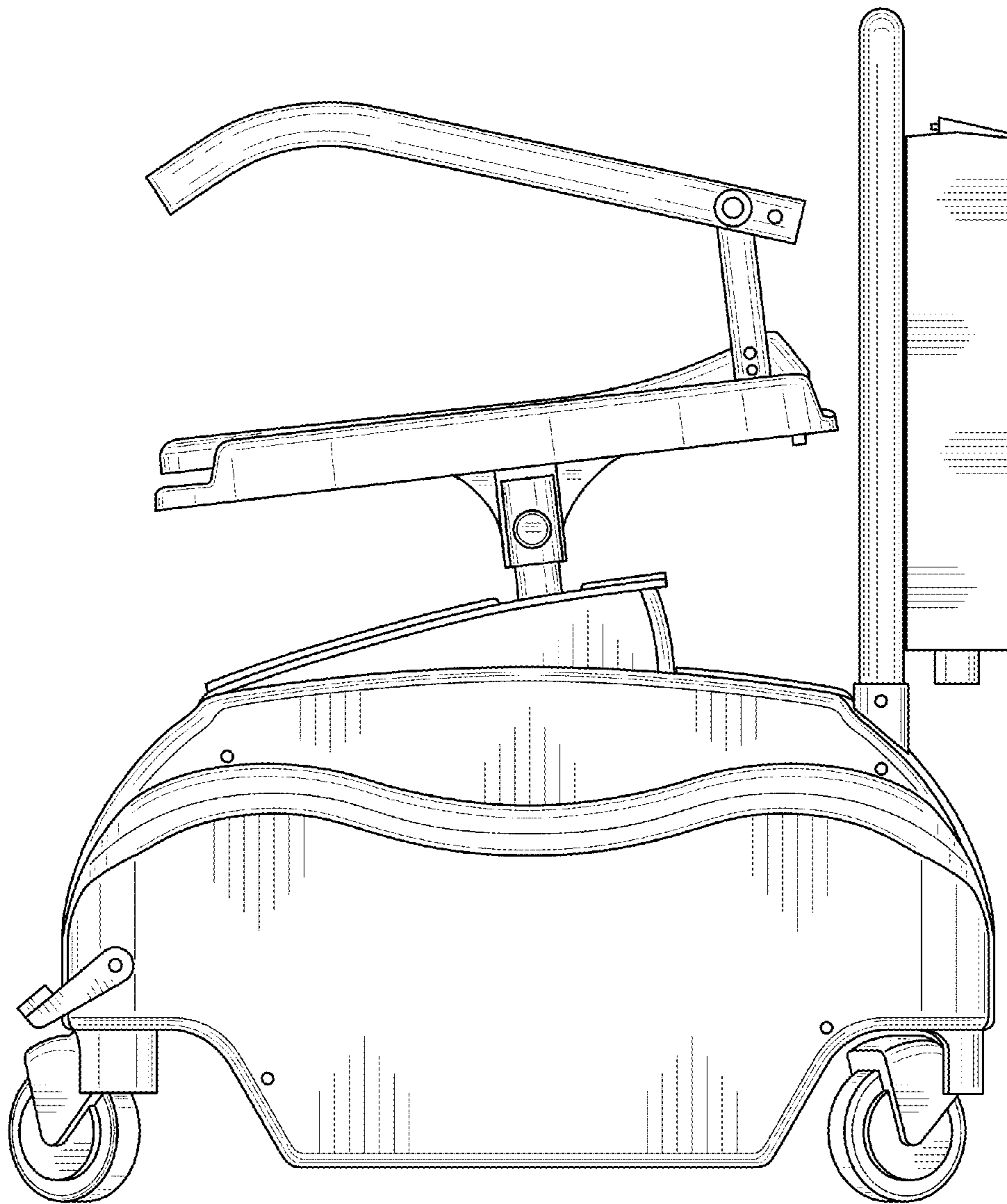


FIG. 4

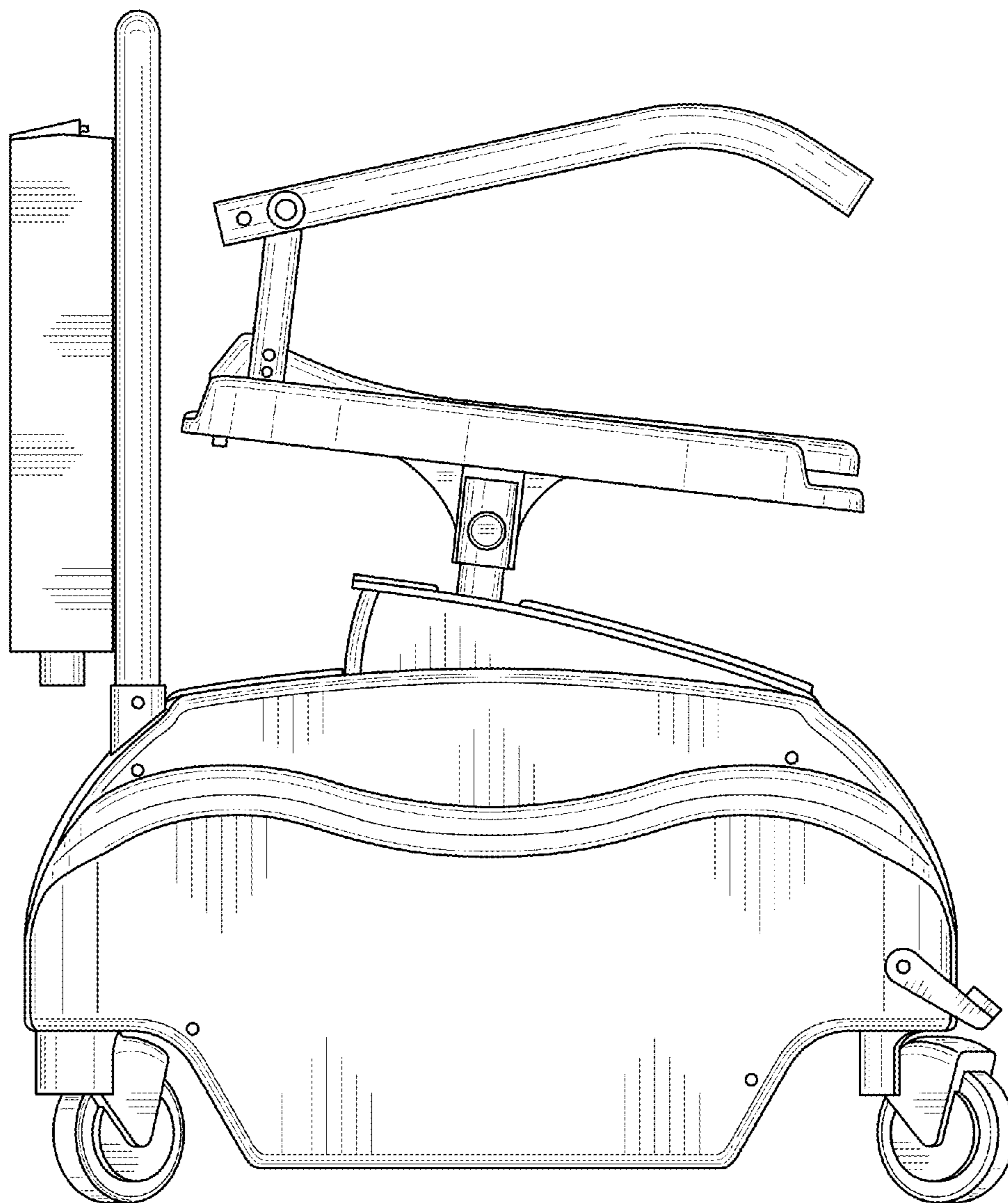


FIG. 5

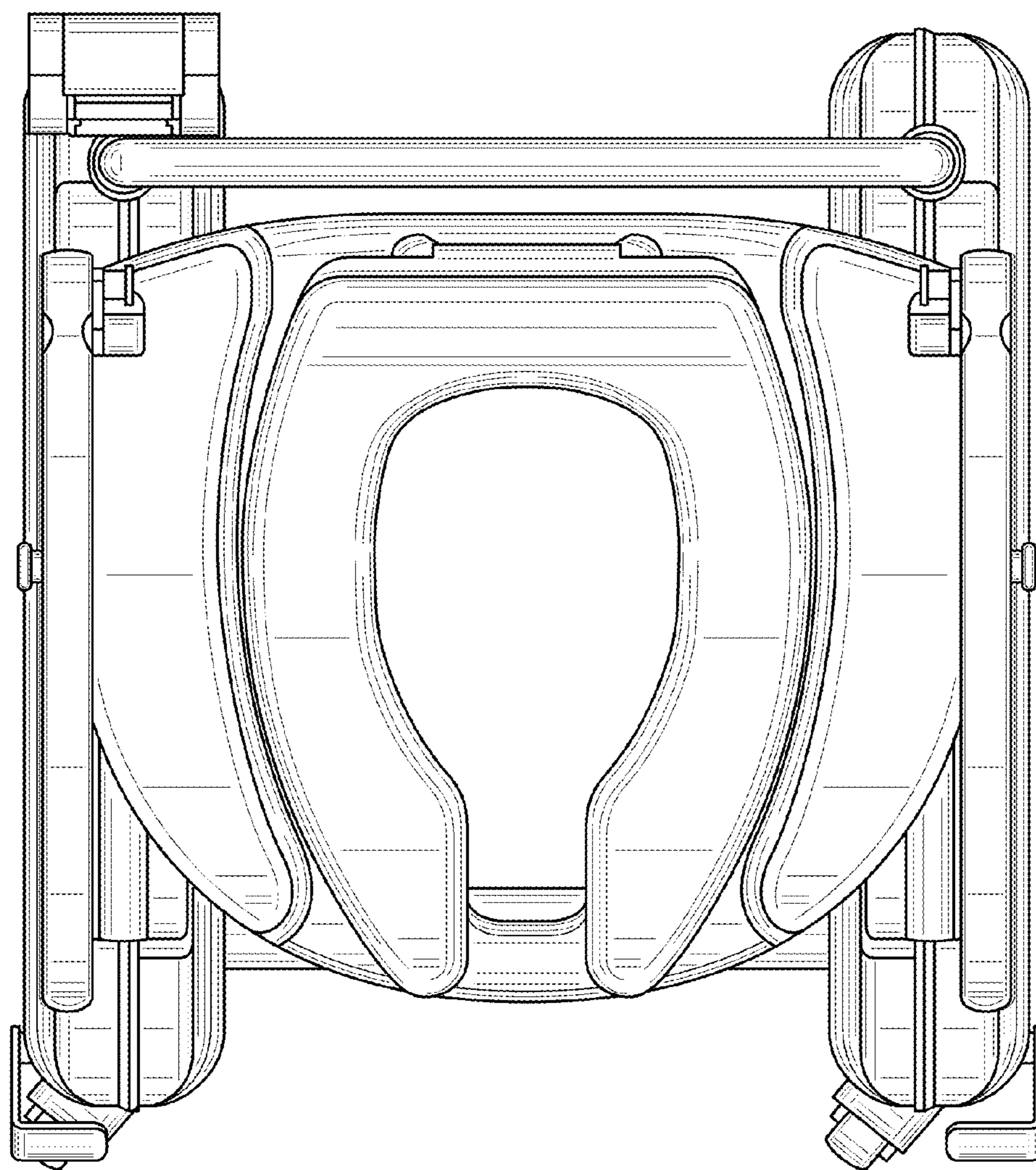


FIG. 6