



US00D735838S

(12) **United States Design Patent**  
**Bartlett et al.**

(10) **Patent No.:** **US D735,838 S**  
(45) **Date of Patent:** **\*\* Aug. 4, 2015**

(54) **LAVATORY**  
(71) Applicant: **Bradley Fixtures Corporation**,  
Menomonee Falls, WI (US)  
(72) Inventors: **Lauren Clarise Bartlett**, Wauwatosa,  
WI (US); **Douglas John Carpiaux**,  
Milwaukee, WI (US); **William L. Haas**,  
Slinger, WI (US); **Cassandra A.**  
**Schneider**, Delafield, WI (US)  
(73) Assignee: **Bradley Fixtures Corporation**,  
Menomonee Falls, WI (US)  
(\*\*) Term: **14 Years**  
(21) Appl. No.: **29/511,182**  
(22) Filed: **Dec. 8, 2014**

EM	3086713	3/2005
EM	3086714	3/2005
EM	3086715	3/2005
EM	5678702	9/2006
EM	8533203	2/2008
EM	8686742	9/2008
EM	110168723	4/2009
EM	11203728	5/2009
EM	15528376	7/2009
EM	7592047	10/2009
EM	7232752	11/2009
EM	162804118	11/2009
EM	18733325	6/2011
WO	DM50901	2/2000
WO	DM72571	10/2009

**Related U.S. Application Data**

(63) Continuation-in-part of application No. 29/481,528,  
filed on Feb. 6, 2014, now Pat. No. Des. 721,426.  
(51) **LOC (10) Cl.** ..... **23-02**  
(52) **U.S. Cl.**  
USPC ..... **D23/290**  
(58) **Field of Classification Search**  
USPC ..... D23/284, 286–287, 290–291, 293.1,  
D23/303, 308; 4/619, 630–631, 638, 639,  
4/650, 661; D24/234  
See application file for complete search history.

(56) **References Cited**

**U.S. PATENT DOCUMENTS**

D171,756 S 3/1954 Haggstrom  
2,767,407 A 10/1956 Weiss  
D187,017 S 1/1960 Wald

**FOREIGN PATENT DOCUMENTS**

EM	779202	1/2004
EM	947271	3/2004
EM	1151001	3/2004
EM	1151003	3/2004
EM	1959871	9/2004
EM	1769871	11/2004
EM	2305941	12/2004
EM	2502122	1/2005

*Primary Examiner* — Robert Delehanty

(74) *Attorney, Agent, or Firm* — Foley & Lardner LLP

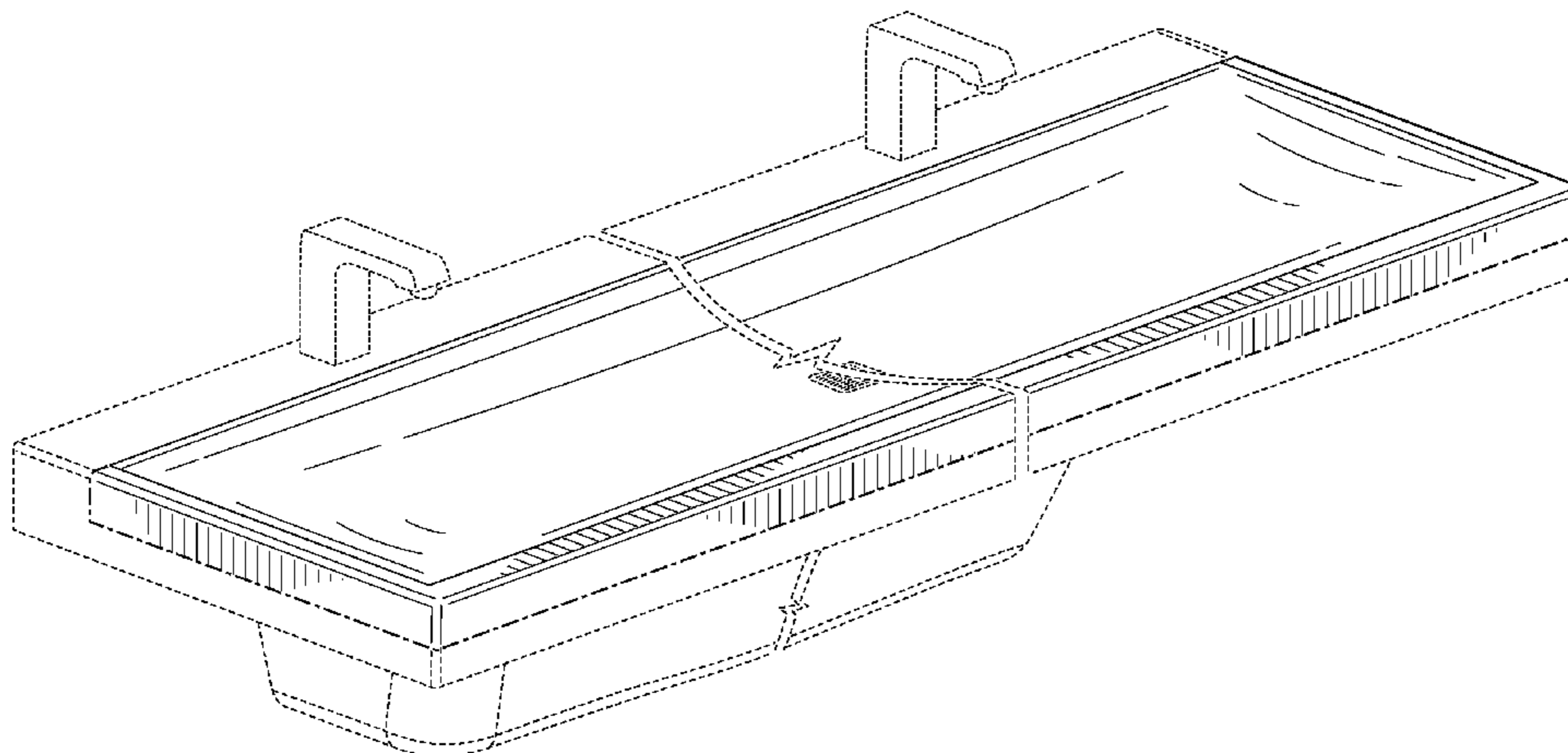
(57) **CLAIM**

We claim the ornamental design for a lavatory, as shown and described.

**DESCRIPTION**

FIG. 1 is a perspective view of an embodiment of the claimed design;  
FIG. 2 is a front view thereof;  
FIG. 3 is a rear view thereof;  
FIG. 4 is a top view thereof;  
FIG. 5 is a bottom view thereof;  
FIG. 6 is a left side view thereof;  
FIG. 7 is a right side view thereof;  
FIG. 8 is a section view thereof taken along line 8-8 in FIG. 4;  
and,  
FIG. 9 is a section view thereof taken along line 9-9 in FIG. 4.  
The ornamental design which is claimed is shown in solid lines in the drawings. The broken lines in the drawings are for illustrative purposes only and form no part of the claimed design. Broken lines formed by equal length dashes show unclaimed portions of the design. Broken lines formed of unequal length dashes (i.e., dash-dot) show boundaries between claimed and unclaimed portions of the design. Broken line disclosure formed by jagged lines indicate portions of indeterminate length.

**1 Claim, 8 Drawing Sheets**



(56)

**References Cited**

U.S. PATENT DOCUMENTS

D198,016 S	4/1964	Kaiser	7,039,963 B2	5/2006	Loberger et al.
D207,249 S	3/1967	Kaiser	D538,407 S	3/2007	Bates et al.
D208,394 S	8/1967	Kaiser	D538,905 S	3/2007	Wano
D208,966 S	10/1967	Kaiser	D545,414 S	6/2007	Maruhashi et al.
3,451,068 A	6/1969	Phillips, Jr.	D545,415 S	6/2007	Tani et al.
3,508,282 A	4/1970	Phillips, Jr.	D563,533 S	3/2008	Kakahana et al.
D225,403 S	12/1972	Brendgord	D592,292 S	5/2009	Kakahana et al.
D251,795 S	5/1979	McCann	D598,081 S	8/2009	Soulier
D319,691 S	9/1991	Yvetot	D598,989 S	8/2009	Kakahana et al.
D353,448 S	12/1994	Chiu	D598,990 S	8/2009	Duringer et al.
5,611,093 A	3/1997	Barnum et al.	D611,128 S	3/2010	Soulier
D434,124 S	11/2000	McKeone	D622,365 S	8/2010	Schonherr et al.
D492,015 S	6/2004	Kergoet	D624,632 S	9/2010	Booth et al.
D518,560 S	4/2006	Arkay-Leliever	D625,792 S	10/2010	Rundberg et al.
			D629,877 S	12/2010	Rundberg
			D646,365 S	10/2011	Parekh
			D663,016 S	7/2012	Figurski et al.
			D687,530 S	8/2013	McGuire et al.

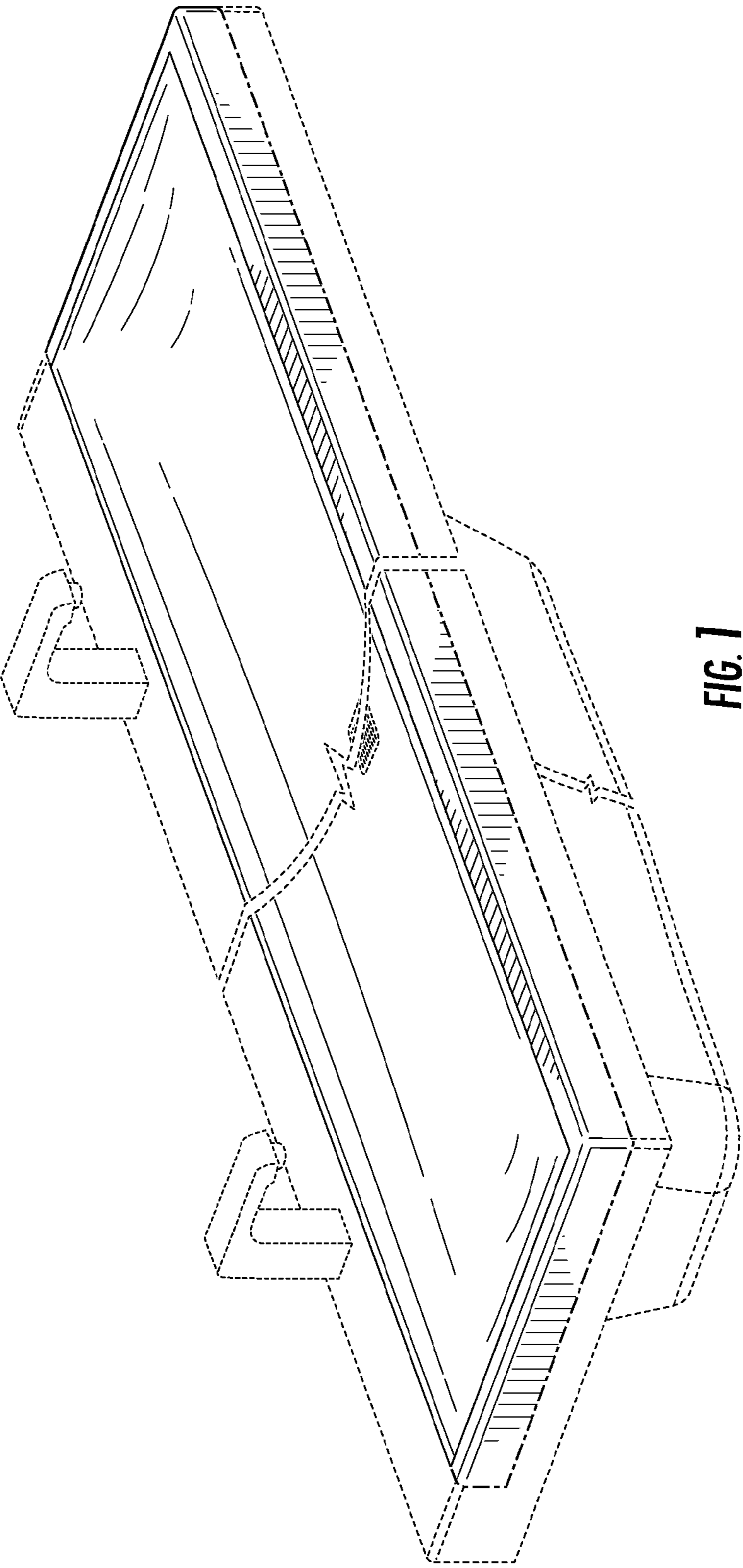


FIG. 1

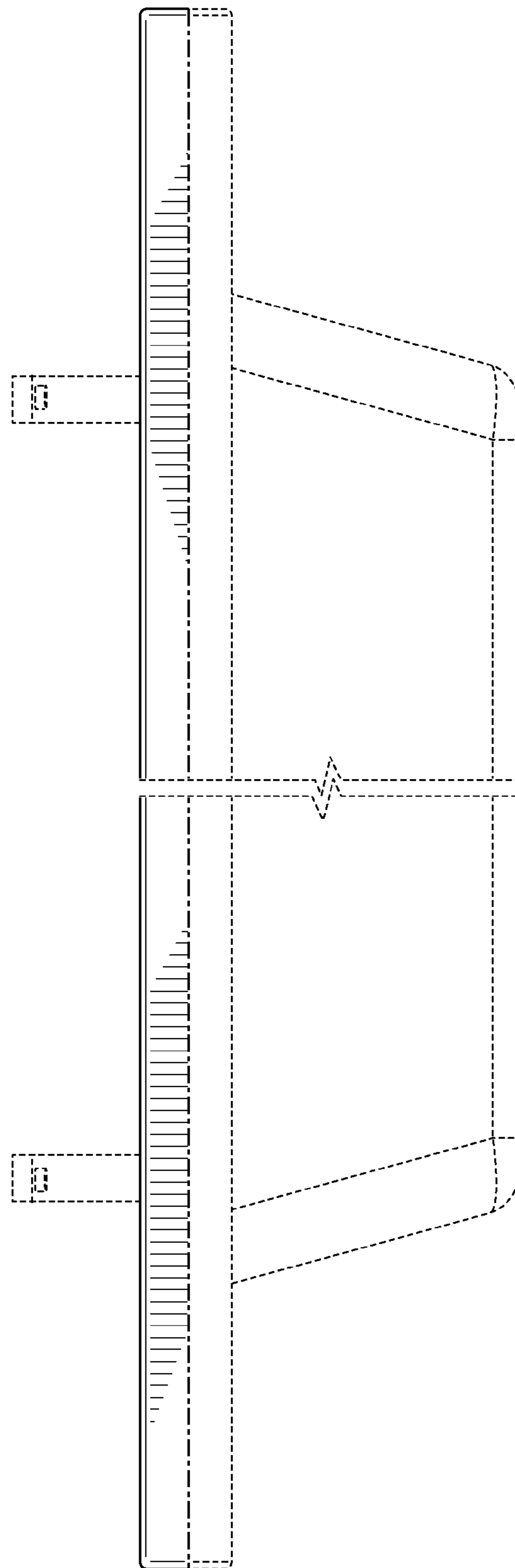


FIG. 2

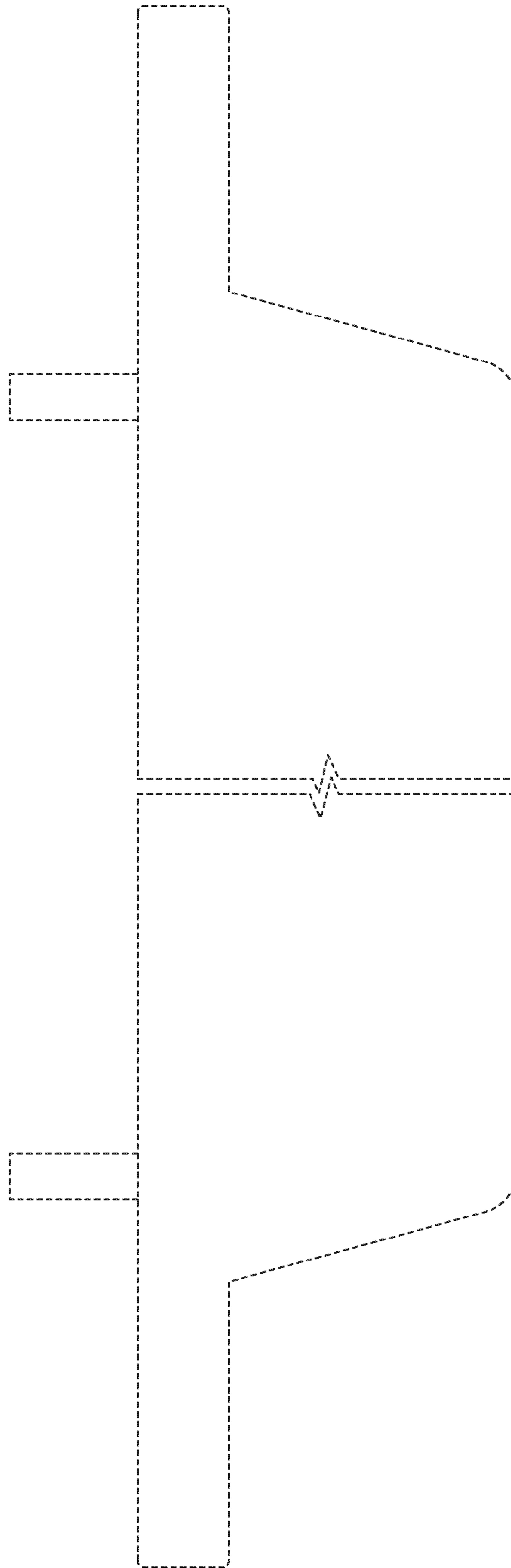


FIG. 3

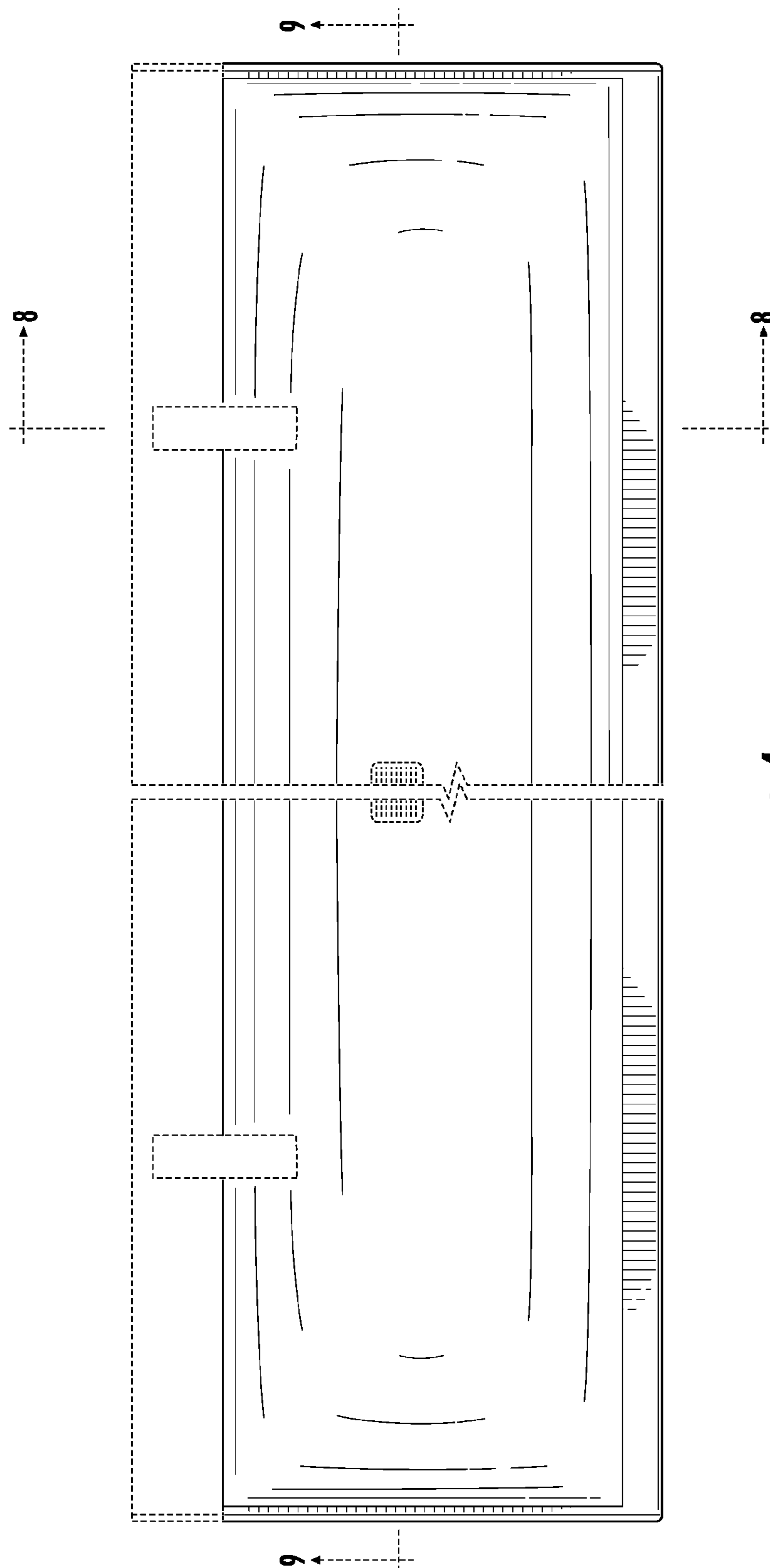


FIG. 4

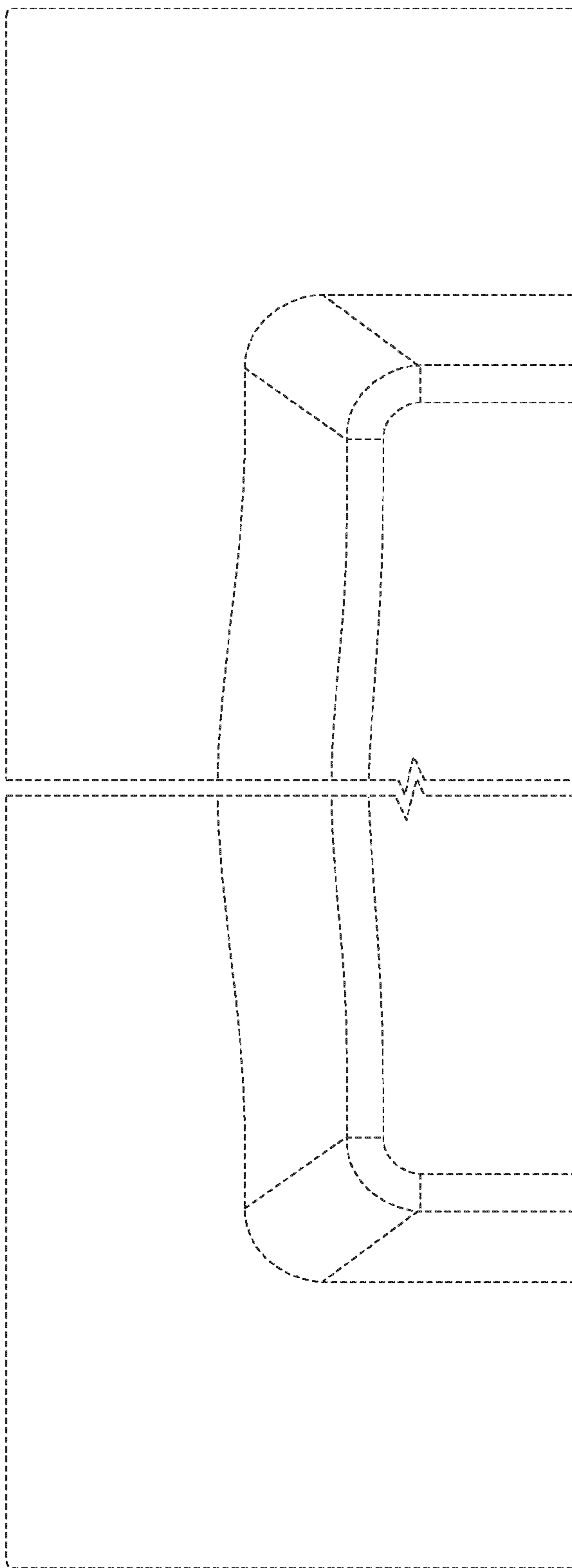
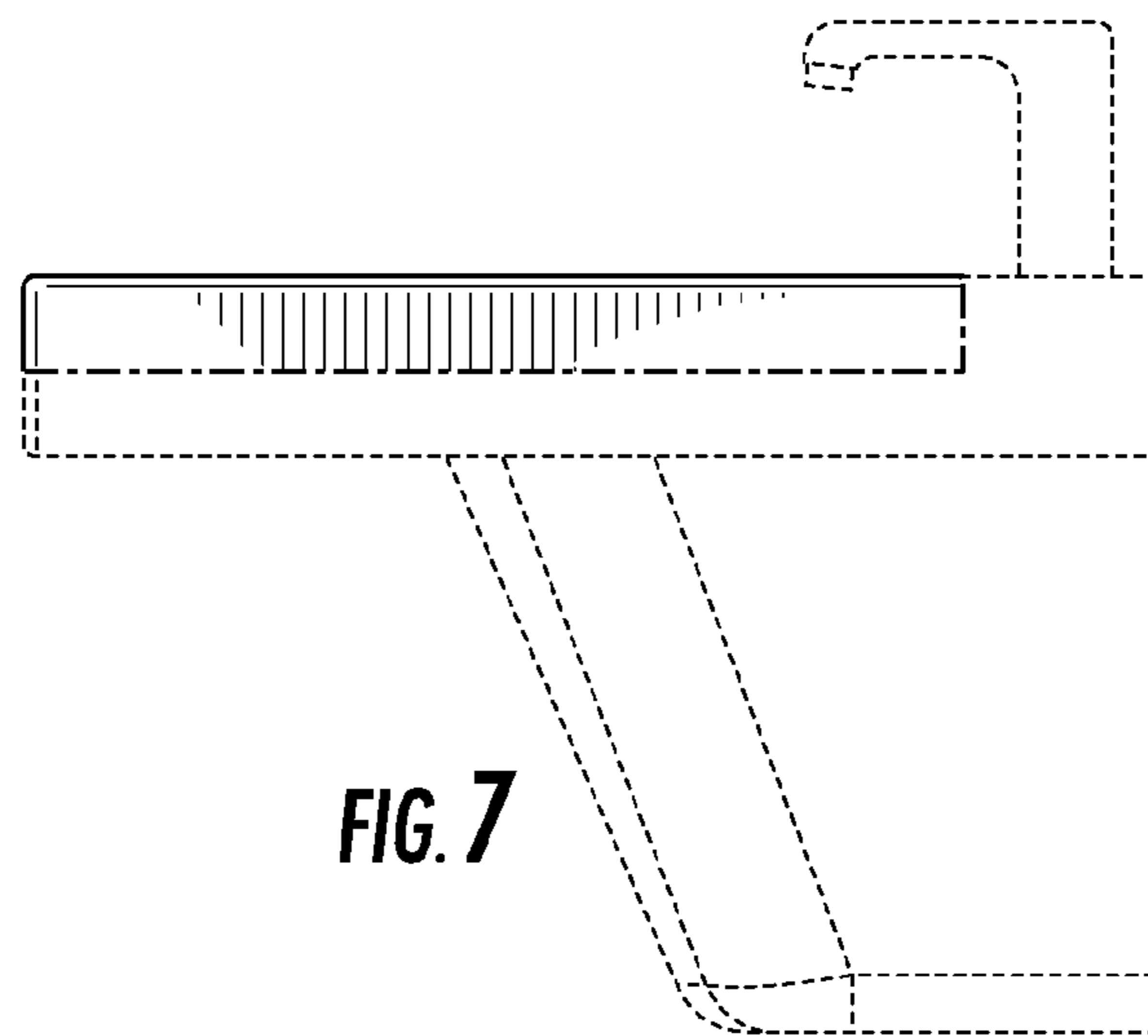
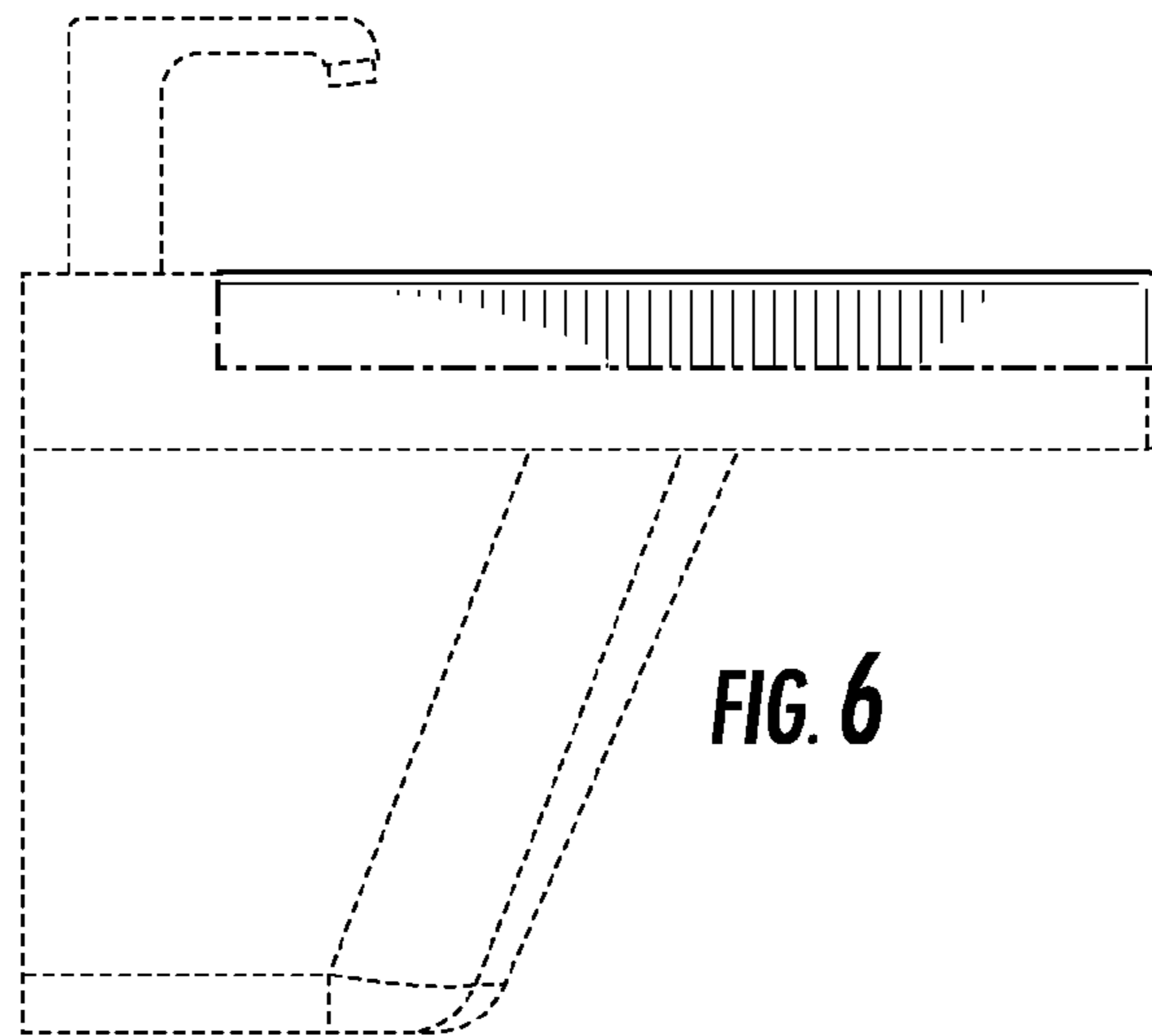
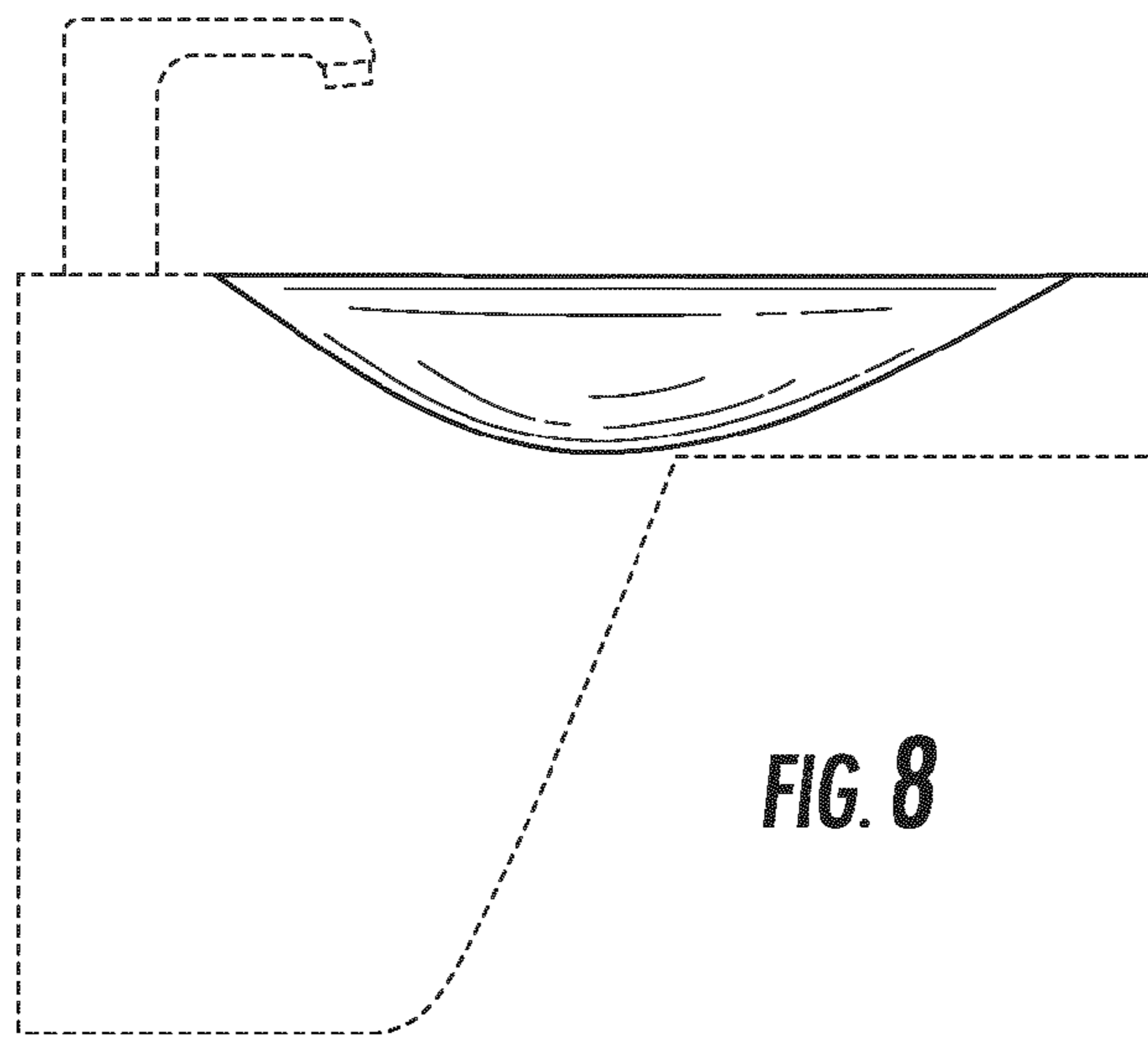


FIG. 5







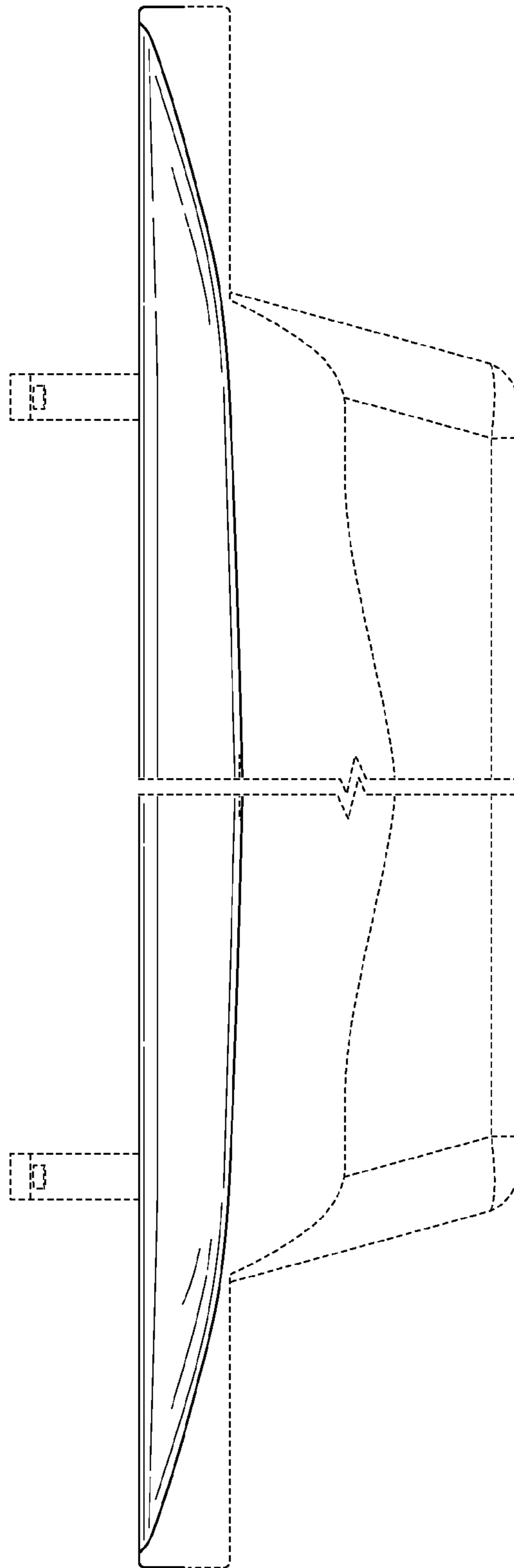


FIG. 9