



US00D735837S

(12) **United States Design Patent**  
**Bartlett et al.**

(10) **Patent No.:** **US D735,837 S**

(45) **Date of Patent:** **\*\* Aug. 4, 2015**

(54) **LAVATORY**

(71) Applicant: **Bradley Fixtures Corporation,**  
Menomonee Falls, WI (US)

(72) Inventors: **Lauren Clarise Bartlett,** Wauwatosa,  
WI (US); **Douglas John Carpiaux,**  
Milwaukee, WI (US); **William L. Haas,**  
Slinger, WI (US)

(73) Assignee: **Bradley Fixtures Corporation,**  
Menomonee Falls, WI (US)

(\*\*) Term: **14 Years**

(21) Appl. No.: **29/511,179**

(22) Filed: **Dec. 8, 2014**

**Related U.S. Application Data**

(62) Division of application No. 29/481,528, filed on Feb.  
6, 2014, now Pat. No. Des. 721,426.

(51) **LOC (10) Cl.** ..... **23-02**

(52) **U.S. Cl.**  
USPC ..... **D23/290**

(58) **Field of Classification Search**  
USPC ..... D23/284, 286–287, 290–291, 293.1,  
D23/303, 308; 4/619, 630–631, 638, 639,  
4/650, 661; D24/234

See application file for complete search history.

(56) **References Cited**

**U.S. PATENT DOCUMENTS**

D171,756 S 3/1954 Haggstrom  
2,767,407 A 10/1956 Weiss  
D187,017 S 1/1960 Wald  
D198,016 S 4/1964 Kaiser  
D207,249 S 3/1967 Kaiser  
D208,394 S 8/1967 Kaiser  
D208,966 S 10/1967 Kaiser  
3,451,068 A 6/1969 Phillips, Jr.

3,508,282 A 4/1970 Phillips, Jr.  
D225,403 S 12/1972 Brendgord  
D251,795 S 5/1979 McCann  
D319,691 S 9/1991 Yvetot  
D353,448 S 12/1994 Chiu  
5,611,093 A 3/1997 Barnum et al.

(Continued)

**FOREIGN PATENT DOCUMENTS**

EM 779202 1/2004  
EM 947271 3/2004

(Continued)

*Primary Examiner* — Robert Delehanty

(74) *Attorney, Agent, or Firm* — Foley & Lardner LLP

(57) **CLAIM**

We claim the ornamental design for a lavatory, as shown and described.

**DESCRIPTION**

FIG. 1 is a perspective view of an embodiment of the claimed design;

FIG. 2 is a front view thereof;

FIG. 3 is a rear view thereof;

FIG. 4 is a top view thereof;

FIG. 5 is a bottom view thereof;

FIG. 6 is a left side view thereof;

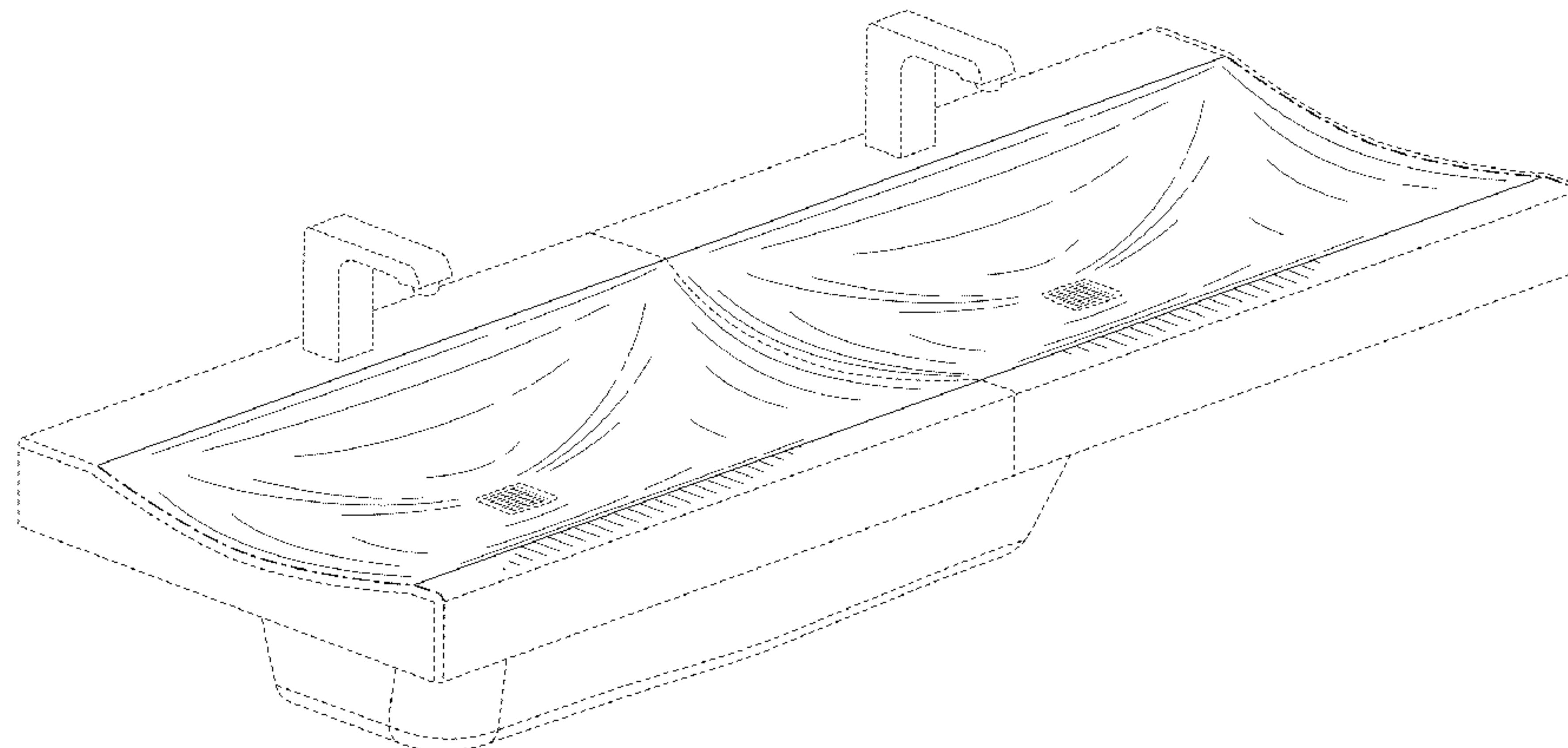
FIG. 7 is a right side view thereof;

FIG. 8 is a section view thereof taken along line 8-8 in FIG. 4; and,

FIG. 9 is a section view thereof taken along line 9-9 in FIG. 4.

The ornamental design which is claimed is shown in solid lines in the drawings. The broken lines in the drawings are for illustrative purposes only and form no part of the claimed design. Broken lines formed by equal length dashes show unclaimed portions of the design. Broken lines formed of unequal length dashes (i.e., dash-dot) show boundaries between claimed and unclaimed portions of the design.

**1 Claim, 8 Drawing Sheets**



(56)

References Cited

FOREIGN PATENT DOCUMENTS

U.S. PATENT DOCUMENTS					
			EM	1151001	3/2004
			EM	1151003	3/2004
D434,124	S	11/2000 McKeone	EM	1959871	9/2004
D492,015	S	6/2004 Kergoet	EM	1769871	11/2004
D518,560	S	4/2006 Arkay-Leliever	EM	2305941	12/2004
7,039,963	B2	5/2006 Loberger et al.	EM	2502122	1/2005
D538,407	S	3/2007 Bates et al.	EM	3086713	3/2005
D538,905	S	3/2007 Wano	EM	3086714	3/2005
D545,414	S	6/2007 Maruhashi et al.	EM	3086715	3/2005
D545,415	S	6/2007 Tani et al.	EM	5678702	9/2006
D563,533	S	3/2008 Kakihana et al.	EM	8533203	2/2008
D592,292	S	5/2009 Kakihana et al.	EM	8686742	9/2008
D598,081	S	8/2009 Soulier	EM	110168723	4/2009
D598,989	S	8/2009 Kakihana et al.	EM	11203728	5/2009
D598,990	S	8/2009 Durringer et al.	EM	15528376	7/2009
D611,128	S	3/2010 Soulier	EM	7592047	10/2009
D622,365	S	8/2010 Schonherr et al.	EM	7232752	11/2009
D624,632	S	9/2010 Booth et al.	EM	162804118	11/2009
D625,792	S	10/2010 Rundberg et al.	EM	18733325	6/2011
D629,877	S	12/2010 Rundberg	EM	DM50901	2/2000
D646,365	S	10/2011 Parekh	EM	DM72571	10/2009
D663,016	S	7/2012 Figurski et al.	WO		
D687,530	S	8/2013 McGuire et al.	WO		

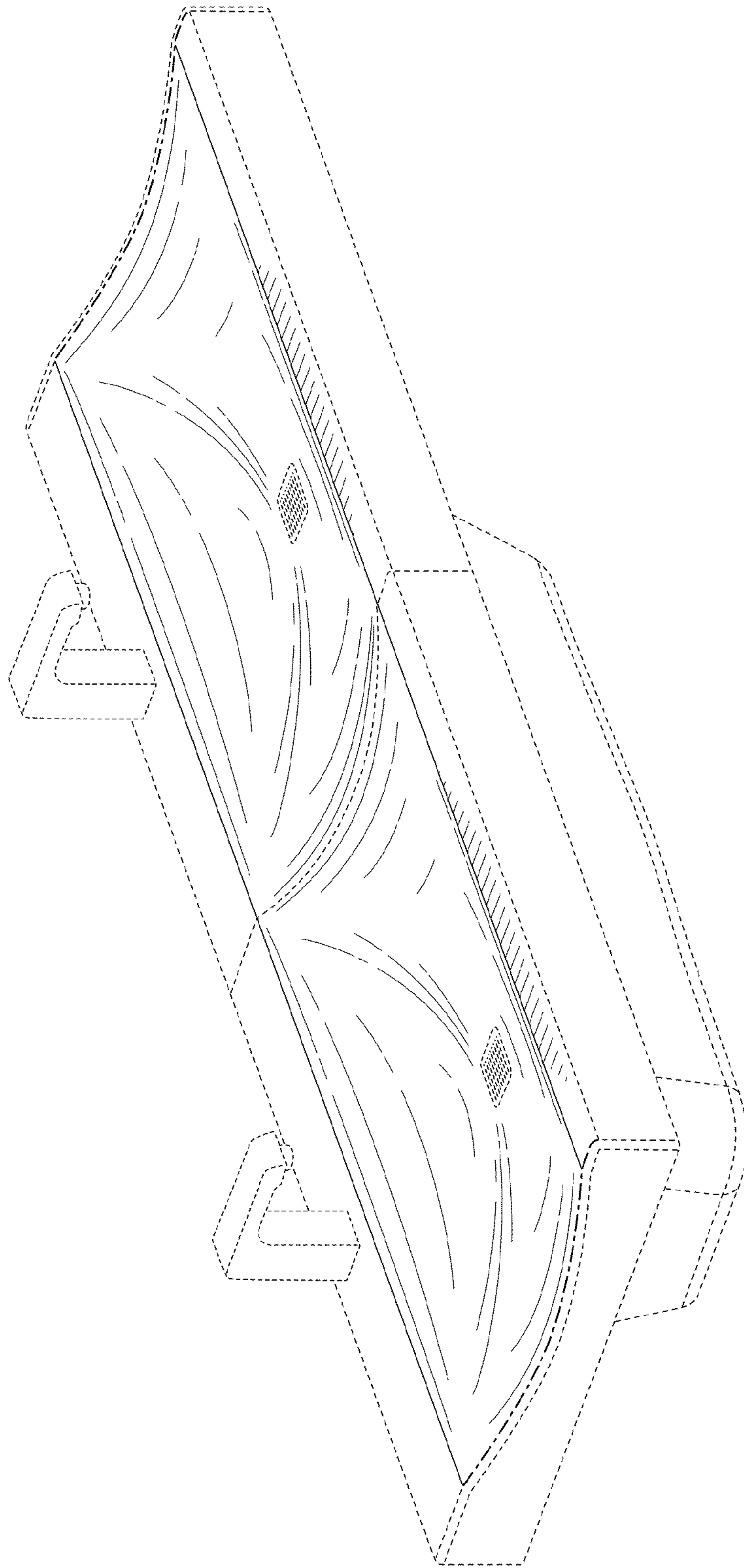


FIG. 1

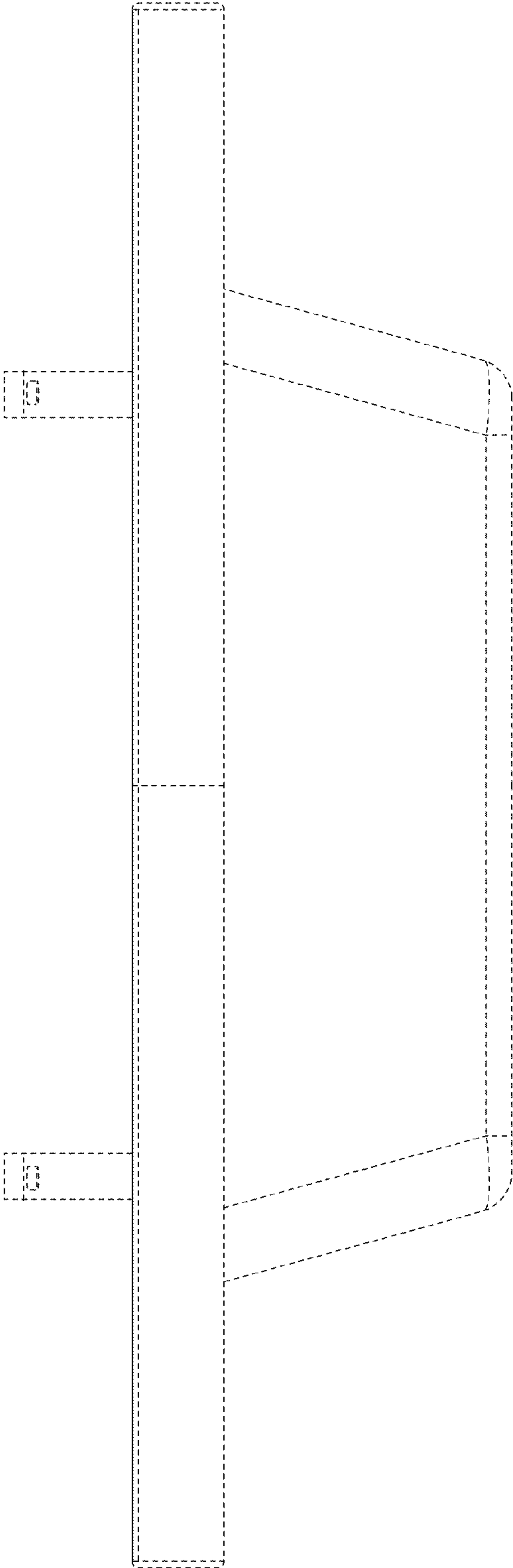


FIG. 2



FIG. 3

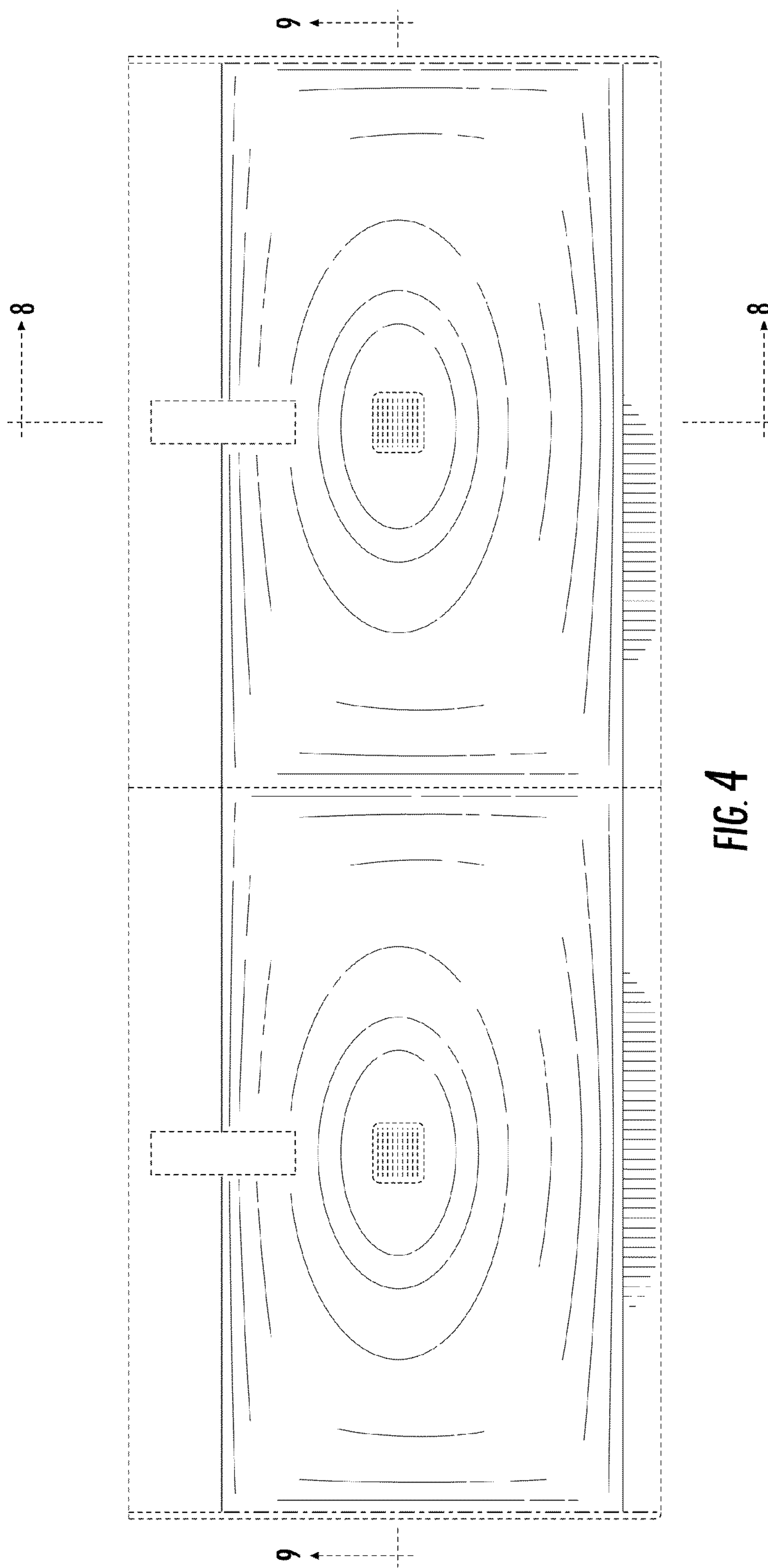


FIG. 4



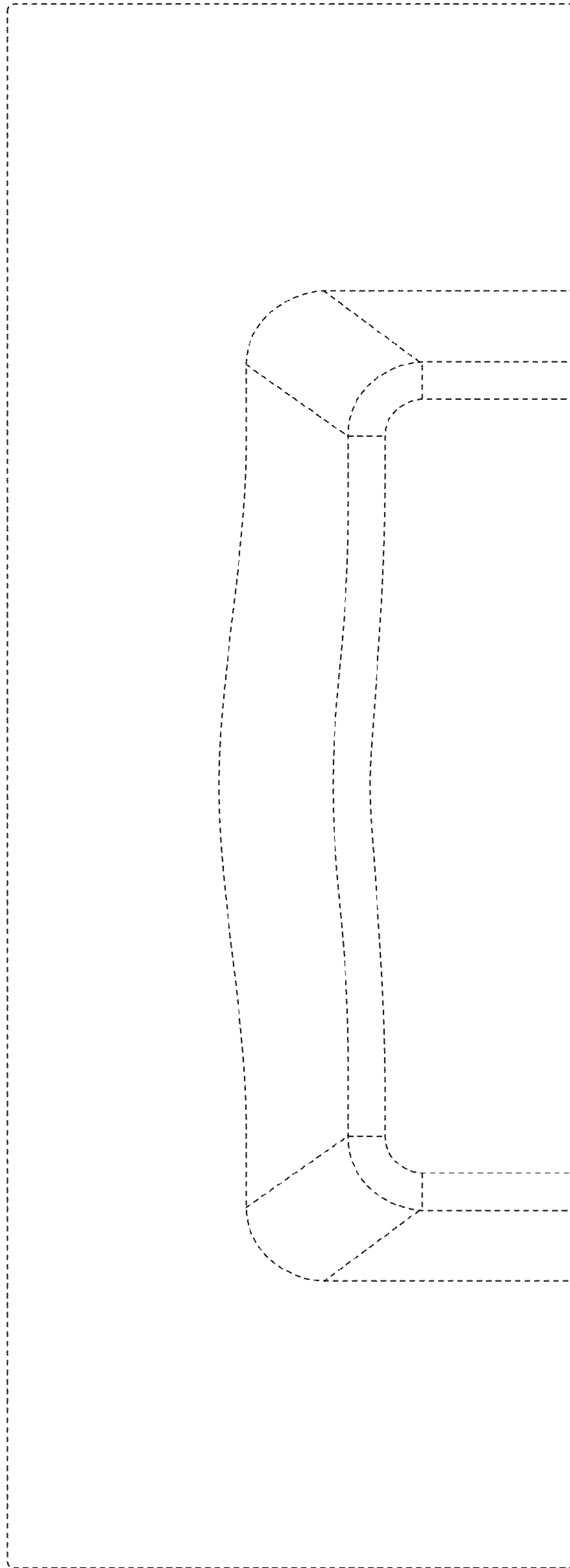
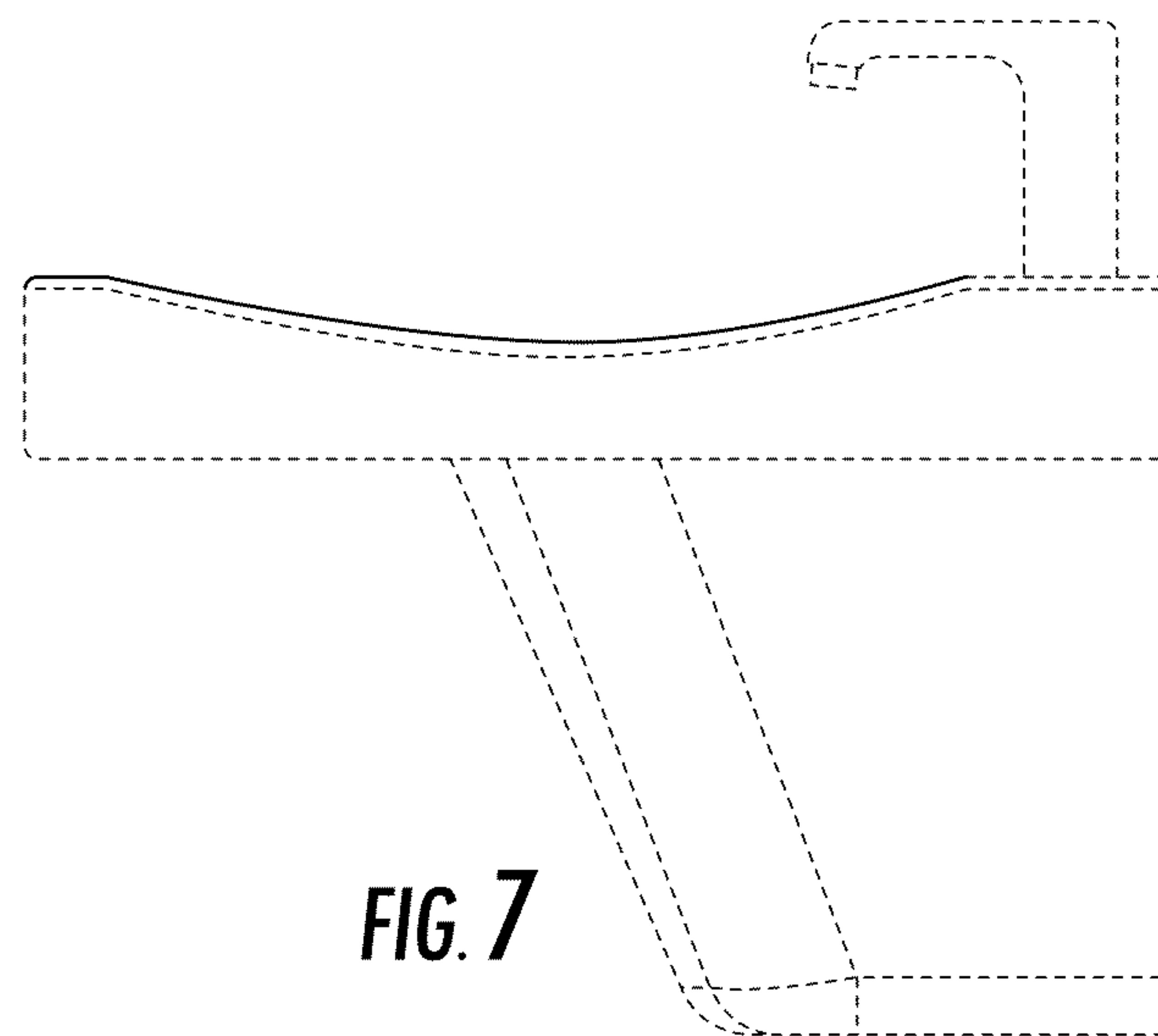
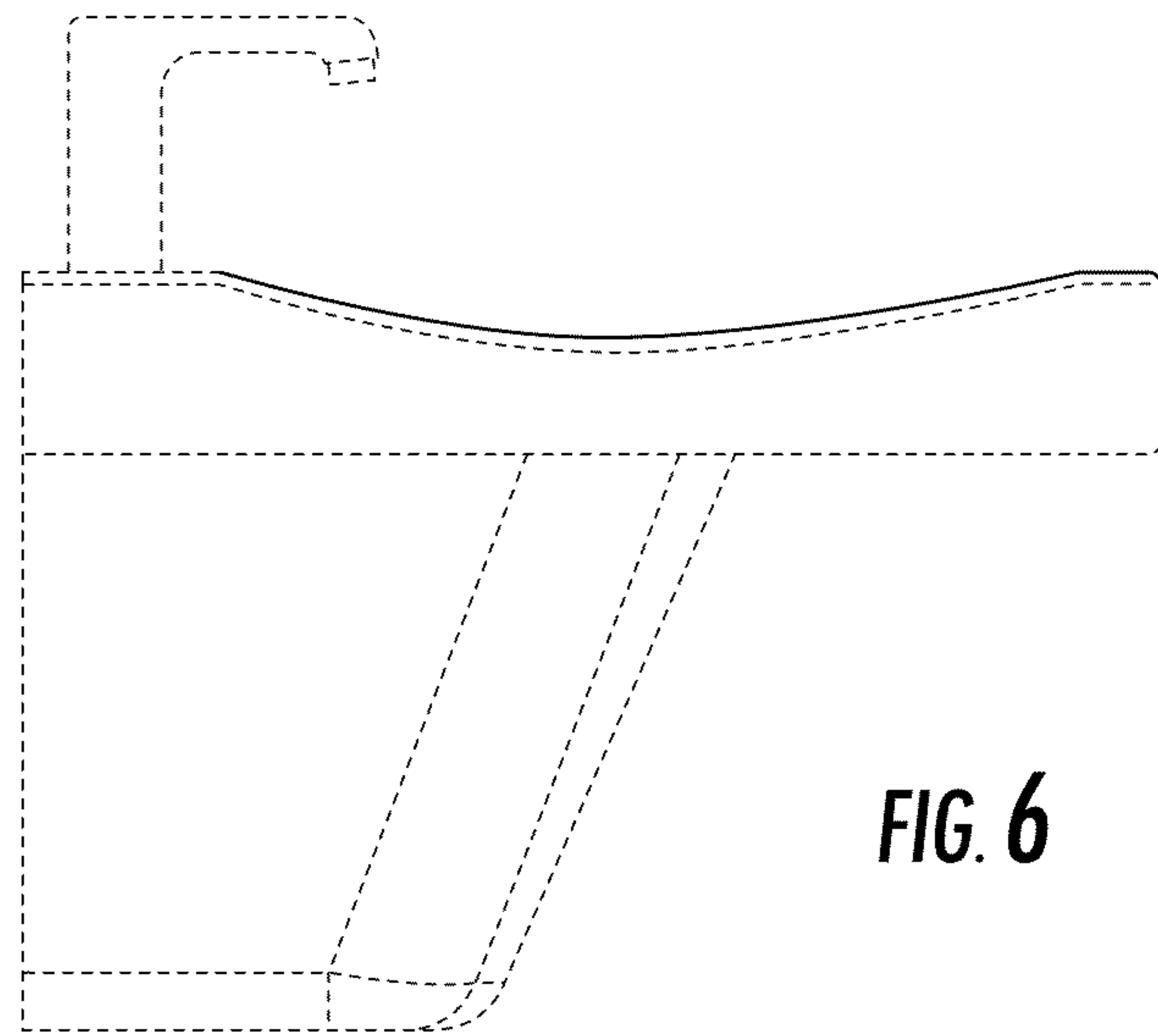
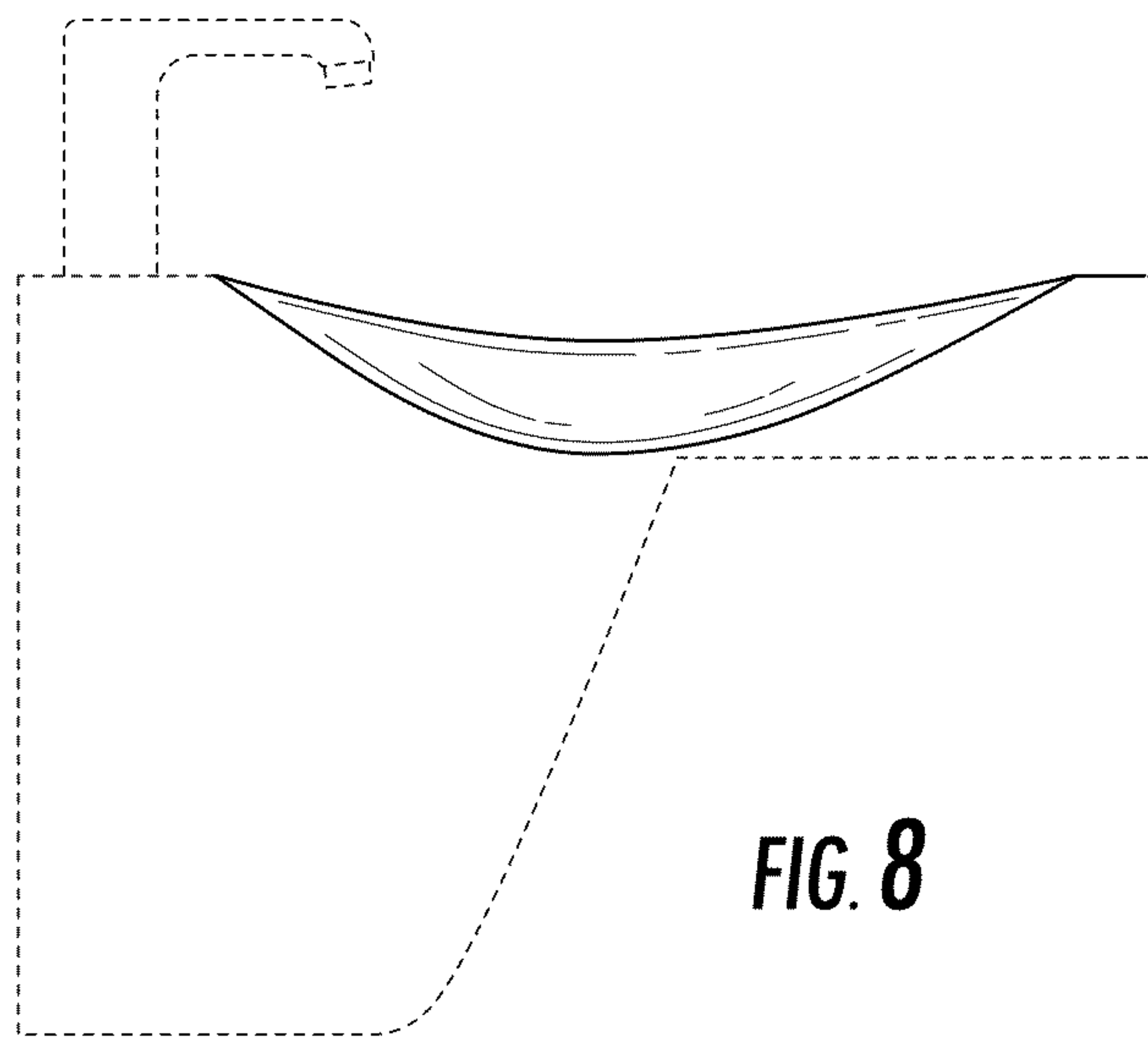


FIG. 5







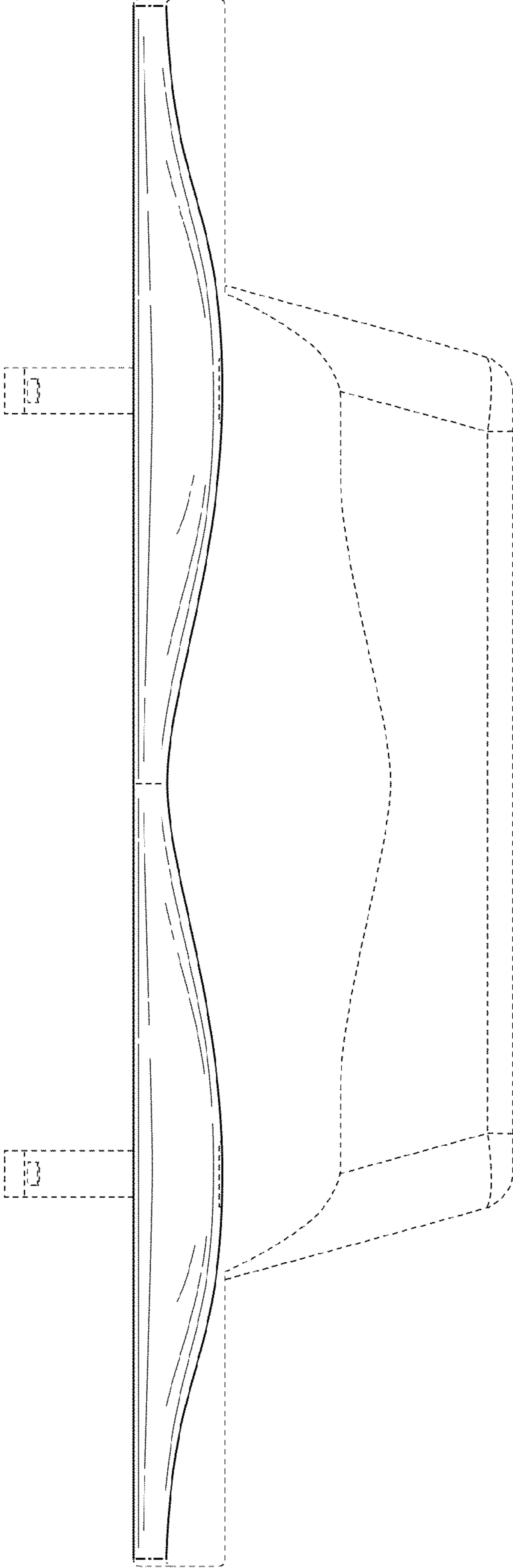


FIG. 9