



US00D735834S

(12) **United States Design Patent**
Wong et al.

(10) **Patent No.:** **US D735,834 S**

(45) **Date of Patent:** **** Aug. 4, 2015**

(54) **VALVE HEAD**

(71) Applicants: **Winston K. Wong**, Bradford, MA (US);
Albin A. Huntley, Martinez, CA (US);
Russell M. Ziegler, Pleasant Hill, CA
(US); **Blaik A. Musolf**, Concord, CA
(US)

(72) Inventors: **Winston K. Wong**, Bradford, MA (US);
Albin A. Huntley, Martinez, CA (US);
Russell M. Ziegler, Pleasant Hill, CA
(US); **Blaik A. Musolf**, Concord, CA
(US)

(73) Assignee: **Acro Associates, Inc.**, Concord, CA
(US)

(**) Term: **14 Years**

(21) Appl. No.: **29/517,937**

(22) Filed: **Feb. 18, 2015**

Related U.S. Application Data

(63) Continuation of application No. 29/483,946, filed on
Mar. 4, 2014, now Pat. No. Des. 726,875.

(51) **LOC (10) Cl.** **23-01**

(52) **U.S. Cl.**
USPC **D23/233**

(58) **Field of Classification Search**
USPC D23/233-269; D15/5, 7; 137/15.04,
137/15.08, 515, 7, 859, 595, 554; 251/7,
251/322, 333, 129.15

CPC F16K 11/074; F16K 19/00; F16K 1/34;
F16K 2099/0094; F16K 31/0675; F16K
37/0025; F16K 99/0001; F16K 99/0021

See application file for complete search history.

(56) **References Cited**

U.S. PATENT DOCUMENTS

4,993,456	A *	2/1991	Sule	137/595
7,131,632	B2 *	11/2006	Kish, Jr.	251/129.15
7,762,523	B2 *	7/2010	Smith	251/129.19
8,398,853	B2 *	3/2013	An et al.	210/235
D726,874	S *	4/2015	Wong et al.	D23/233
D726,875	S *	4/2015	Wong et al.	D23/233
D729,346	S *	5/2015	Benz et al.	D23/233
D729,347	S *	5/2015	Benz et al.	D23/233
2006/0138374	A1 *	6/2006	Lucas et al.	251/129.16
2009/0267008	A1 *	10/2009	Lucas et al.	251/129.15
2011/0303861	A1 *	12/2011	Jones	251/129.15
2012/0273048	A1 *	11/2012	Weatherbee et al.	137/1

* cited by examiner

Primary Examiner — Cynthia Ramirez

Assistant Examiner — Gino Colan

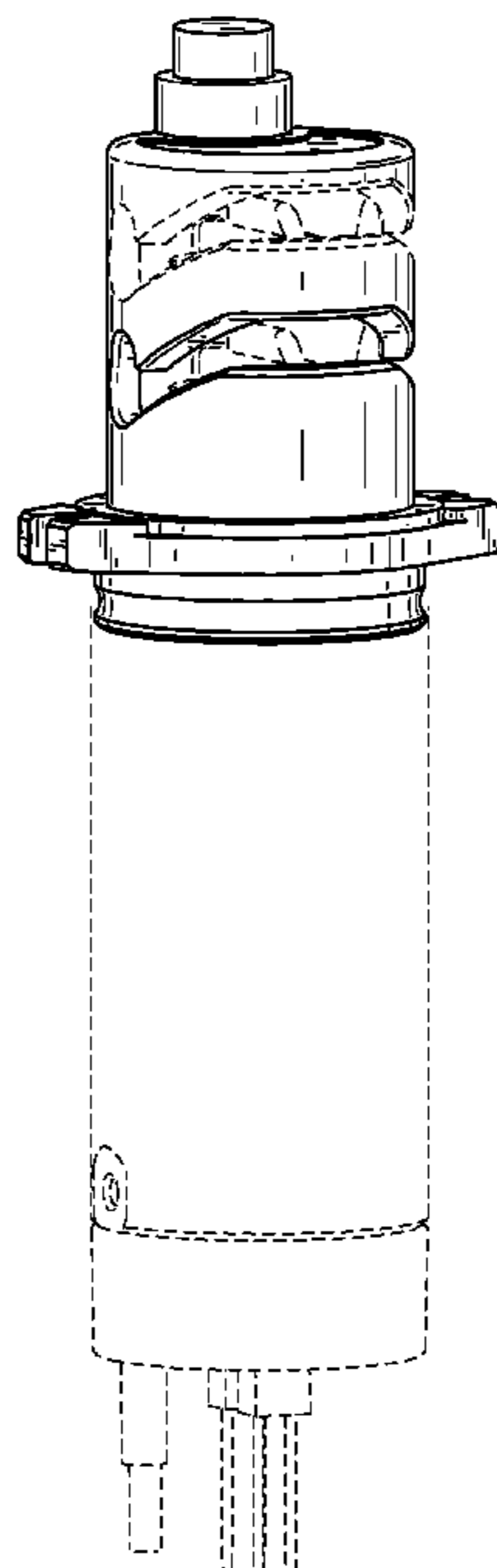
(57) **CLAIM**

The ornamental design for a valve head, as shown and described.

DESCRIPTION

FIG. 1 is a perspective front view of a valve head;
FIG. 2 is a front elevation view thereof;
FIG. 3 is a rear elevation view thereof;
FIG. 4 is a left side elevation view thereof; the right side view
being a mirror image thereof;
FIG. 5 is a top plan view thereof; and,
FIG. 6 is a bottom plan view thereof.
The broken line showing in the drawings is for the purpose of
illustrating portions of the valve head and forms no part of the
claimed design.

1 Claim, 3 Drawing Sheets



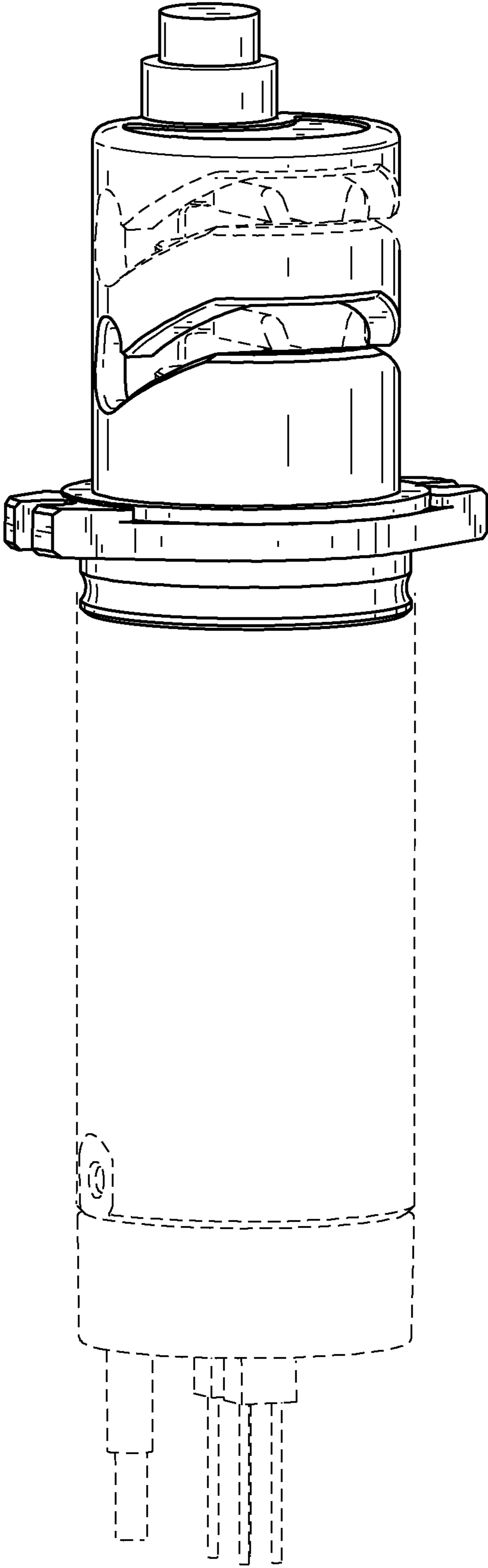


FIG. 1

FIG. 2

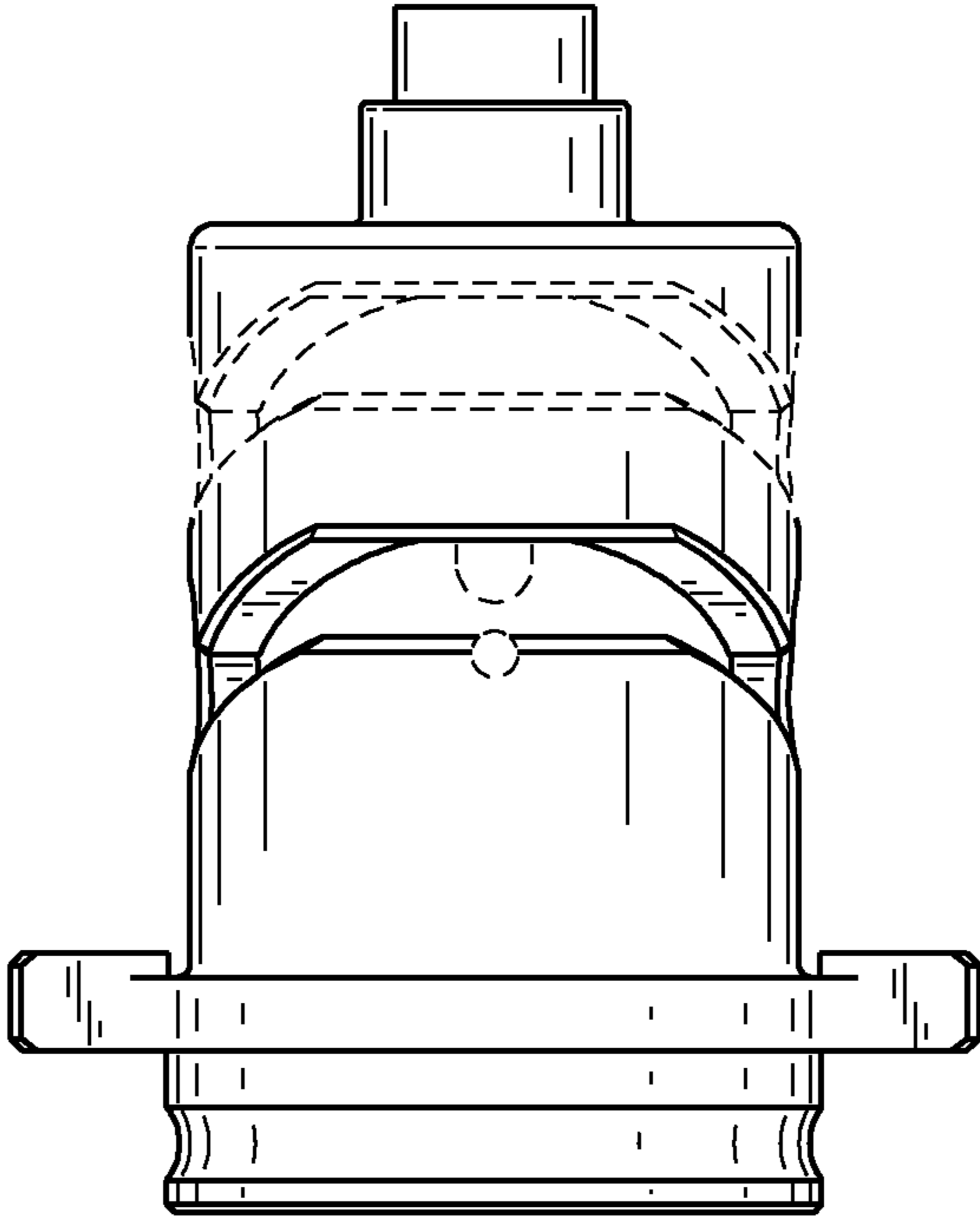


FIG. 3

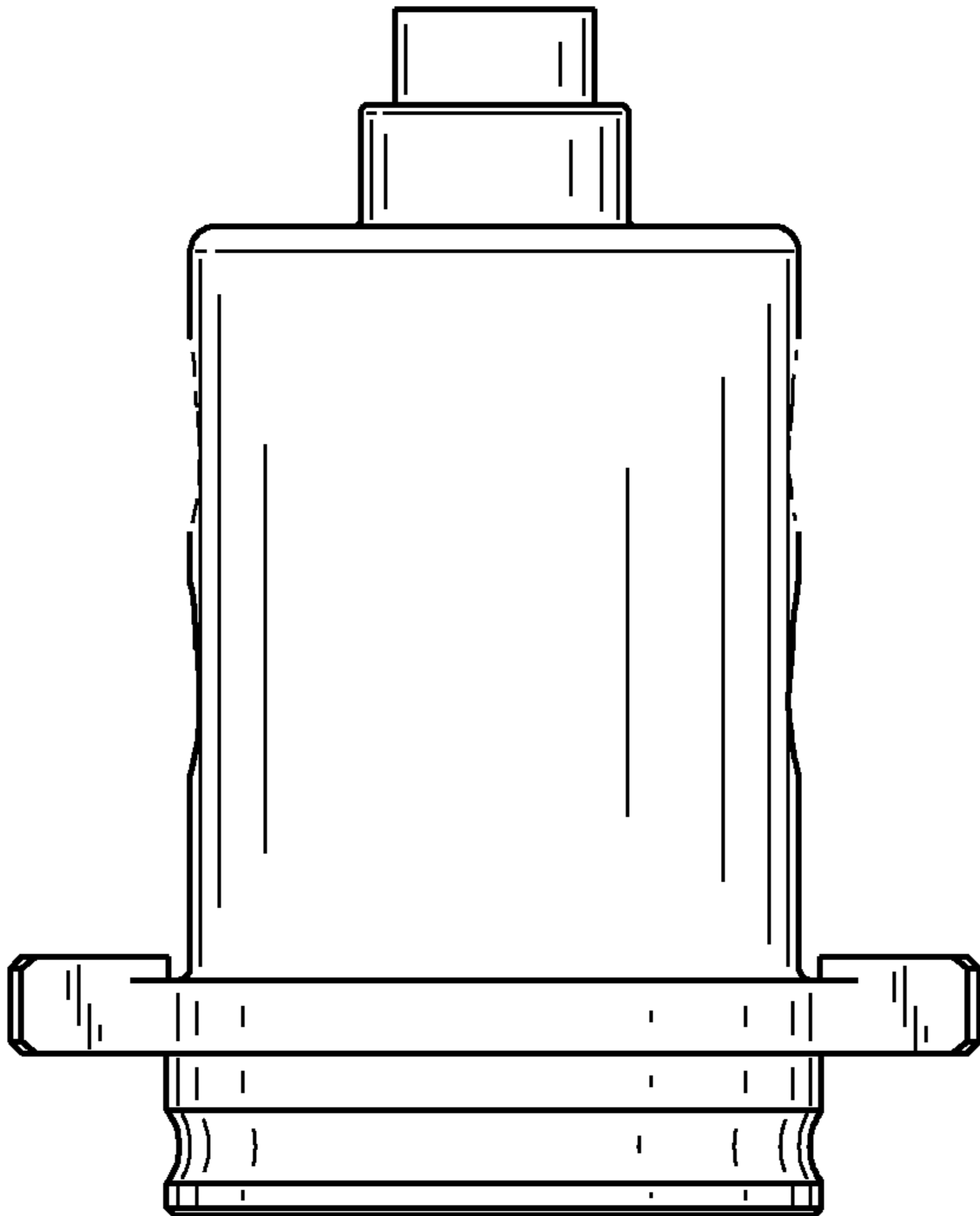


FIG. 4

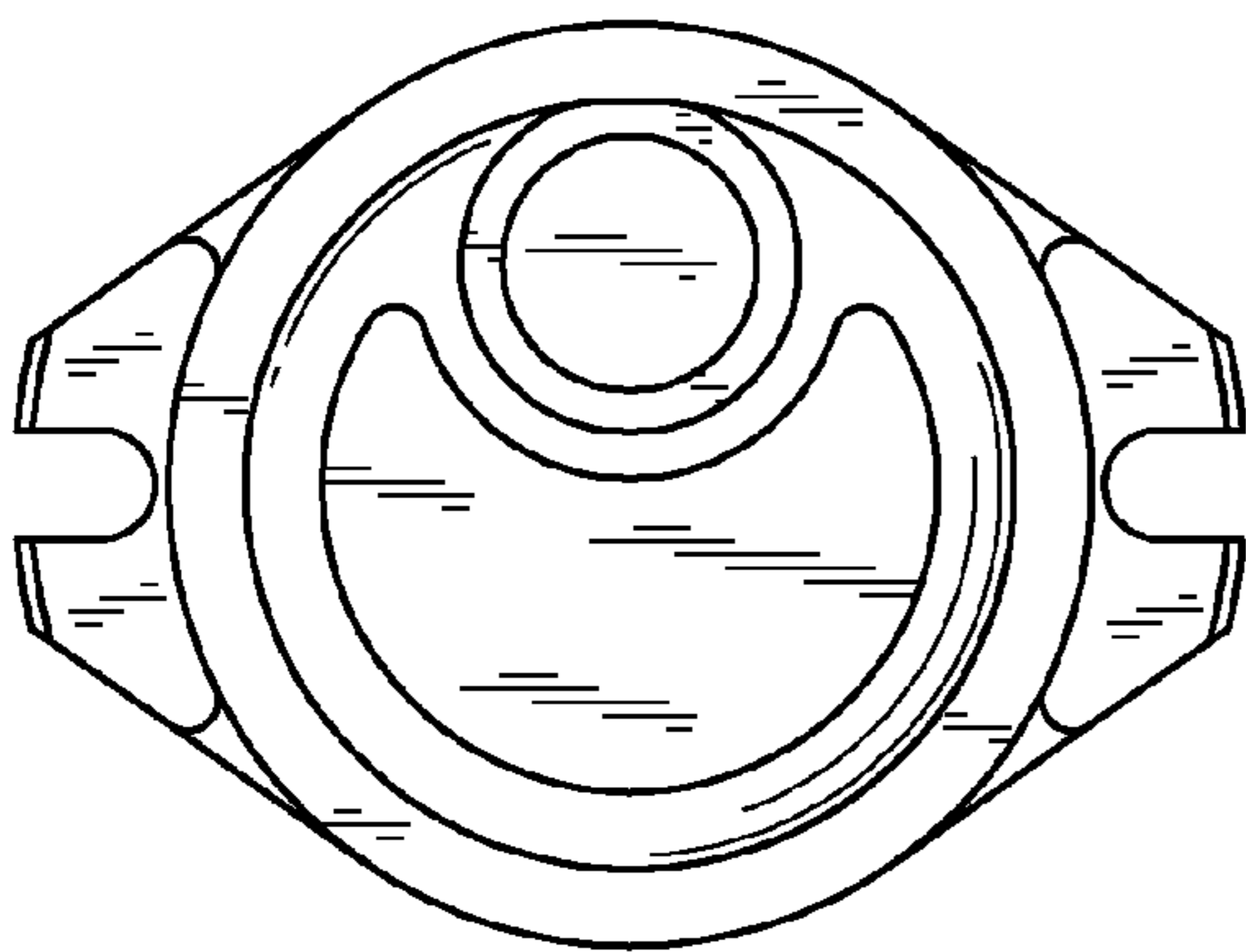
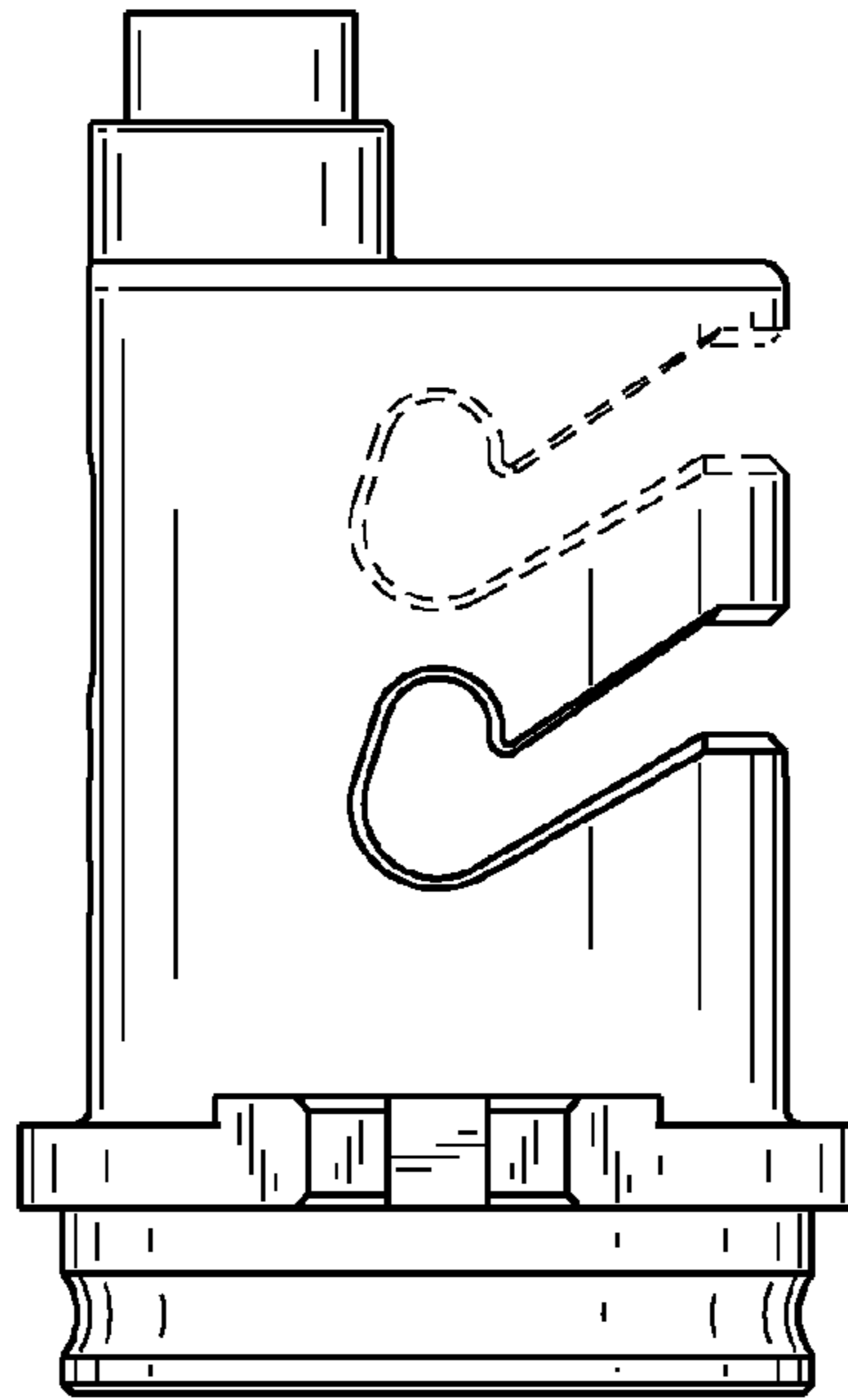


FIG. 5

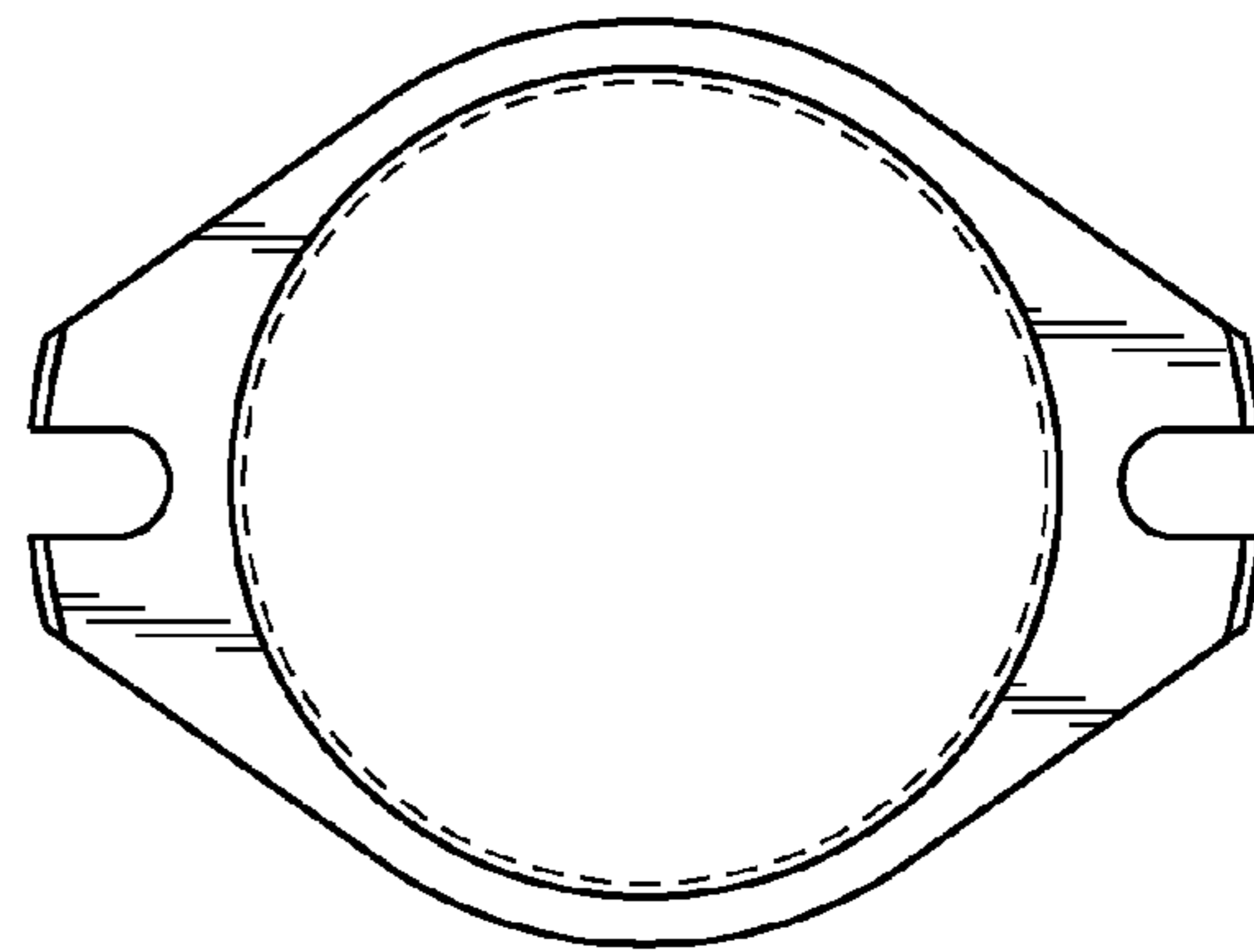


FIG. 6