



US00D735833S

(12) **United States Design Patent**  
**Winstead**

(10) **Patent No.:** **US D735,833 S**

(45) **Date of Patent:** **\*\* Aug. 4, 2015**

- (54) **ADJUSTABLE TARGET FRAME**
- (71) Applicant: **Darren Winstead**, Dyer, AR (US)
- (72) Inventor: **Darren Winstead**, Dyer, AR (US)
- (\*\*) Term: **14 Years**
- (21) Appl. No.: **29/473,200**
- (22) Filed: **Nov. 20, 2013**
- (51) **LOC (10) Cl.** ..... **22-04**
- (52) **U.S. Cl.**  
USPC ..... **D22/113**
- (58) **Field of Classification Search**  
USPC ..... D6/681, 681.1, 329, 392, 391, 552, 553,  
D6/567, 332; D8/1, 380, 381; D20/10, 11,  
D20/15, 17, 19, 39, 41, 99; D21/385, 698;  
D22/113, 199; D25/199; 273/407, 408,  
273/406, 400, 401, 402, 396, 359, 392;  
248/156, 165, 457, 474, 463, 176.1;  
40/607.15, 611.06; 473/454  
CPC ..... F41J 1/00; F41J 1/10  
See application file for complete search history.

- D422,796 S \* 4/2000 Milligan et al. .... D6/332
- 6,491,303 B1 \* 12/2002 Huston ..... 273/407
- D602,713 S \* 10/2009 Stukenberg ..... D6/466
- D626,763 S \* 11/2010 Koh ..... D6/462
- 7,900,927 B1 \* 3/2011 Blichall ..... 273/359
- 7,959,154 B2 \* 6/2011 Ball ..... 273/407
- D647,994 S \* 11/2011 Goodman ..... D22/113
- D668,894 S \* 10/2012 Denby et al. .... D6/495
- D704,973 S \* 5/2014 Denby et al. .... D6/708
- D711,494 S \* 8/2014 Bell ..... D22/113
- 8,955,846 B2 \* 2/2015 Frickey ..... 273/407

**OTHER PUBLICATIONS**

Deerthug, "3D Target Stand and Shed Ramp" Aug. 7, 2013, huntingny.com, 2 Pages.\*

\* cited by examiner

*Primary Examiner* — Eric Goodman  
*Assistant Examiner* — Clese Moore, Jr.  
(74) *Attorney, Agent, or Firm* — Keisling & Pieper PLC;  
David B. Pieper

(57) **CLAIM**  
The ornamental design for an adjustable target frame, as shown and described.

(56) **References Cited**

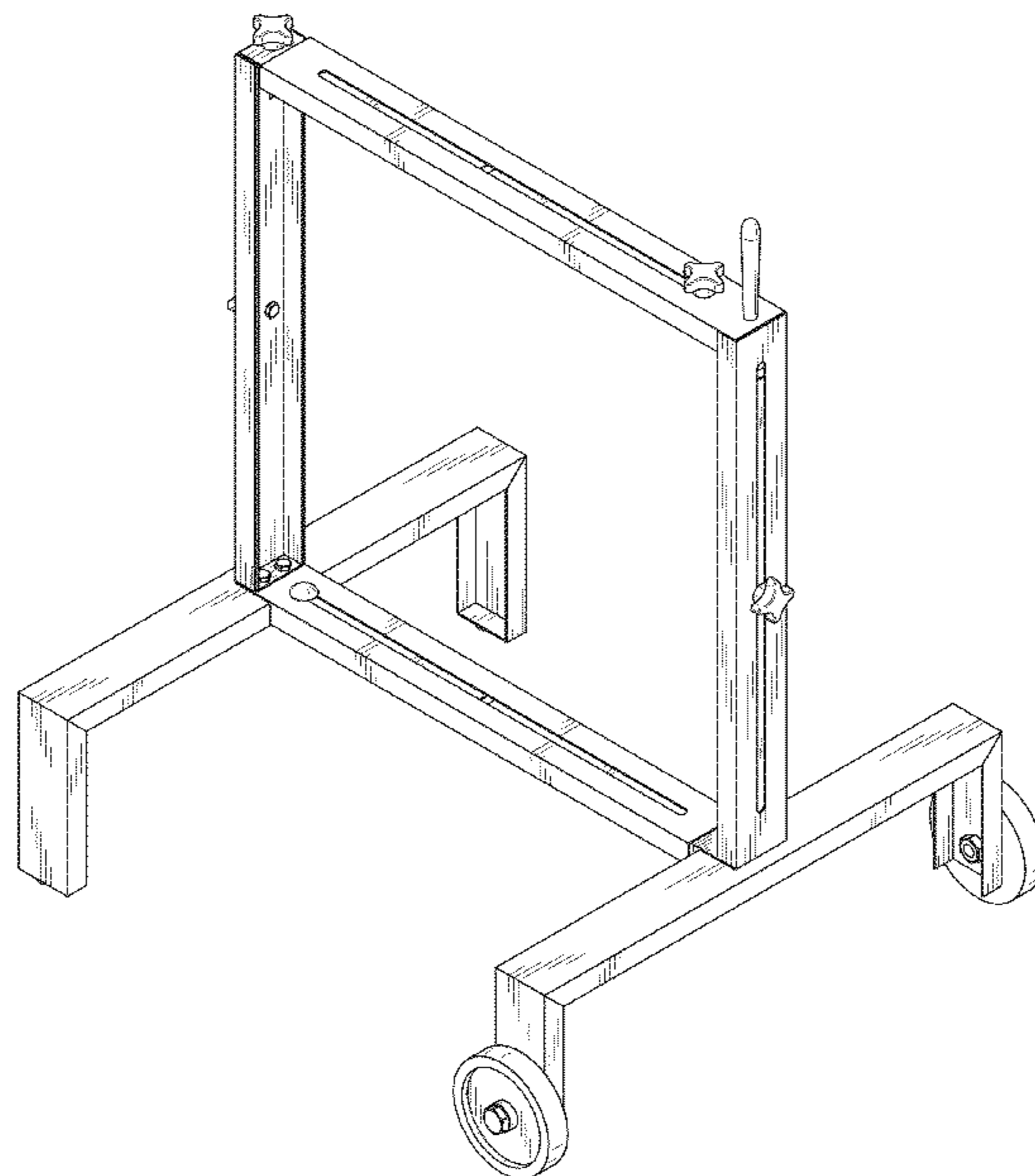
**U.S. PATENT DOCUMENTS**

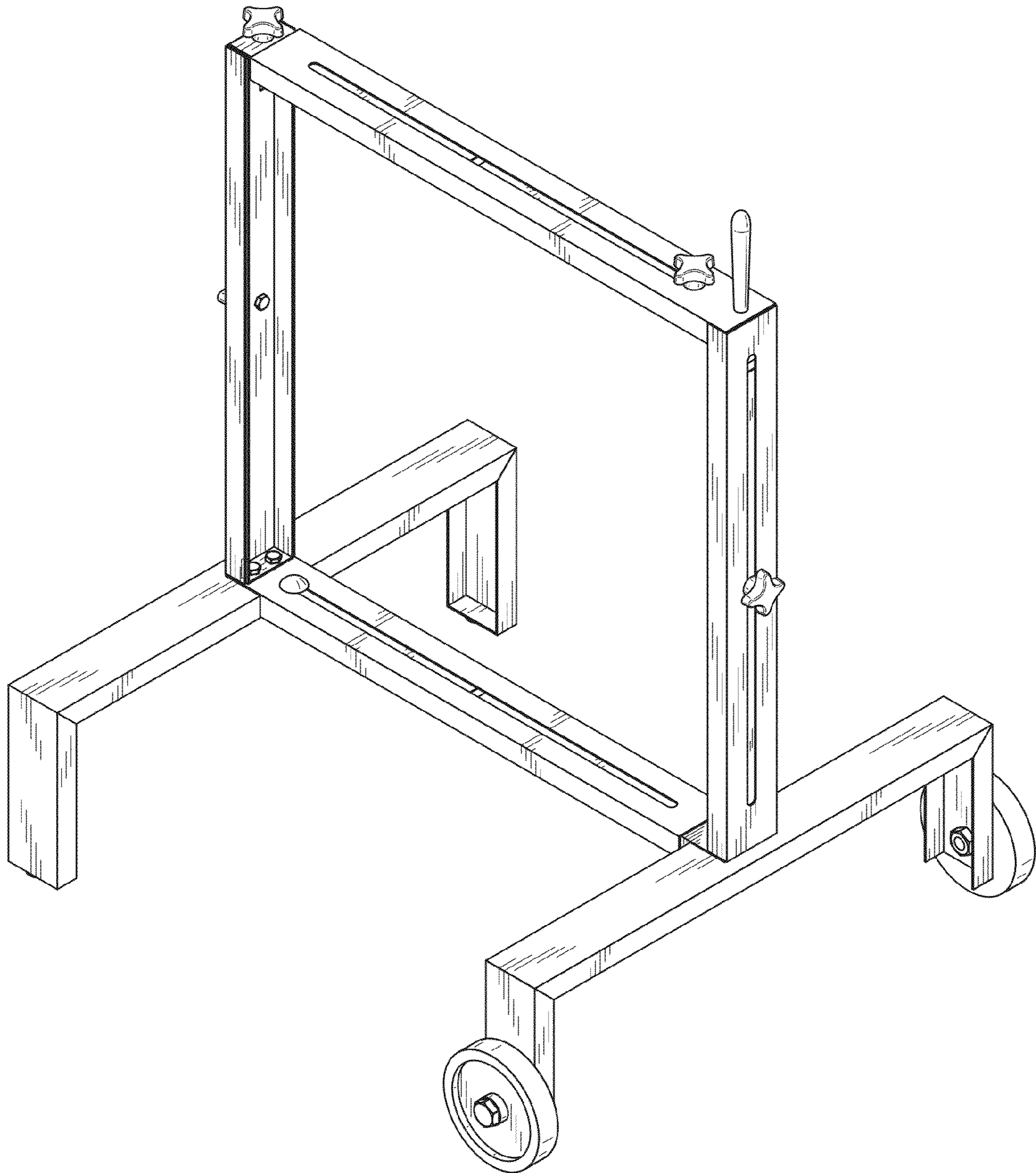
- 3,355,174 A \* 11/1967 Hutson ..... 273/408
- 3,415,519 A \* 12/1968 Hand ..... 273/407
- D277,717 S \* 2/1985 Petrick ..... D6/495
- 4,726,593 A \* 2/1988 Wade ..... 273/392
- 4,813,684 A \* 3/1989 Bruno ..... 273/403
- D329,665 S \* 9/1992 Carroll ..... D21/306
- 5,209,492 A \* 5/1993 Hamilton ..... 273/407
- D396,065 S \* 7/1998 Johnson et al. .... D20/41
- D400,361 S \* 11/1998 Sobrito ..... D6/332
- 5,829,753 A \* 11/1998 Wisner ..... 273/407
- 5,938,203 A \* 8/1999 Beckwith, Sr. .... 273/407
- 5,947,477 A \* 9/1999 Turnipseed ..... 273/407

**DESCRIPTION**

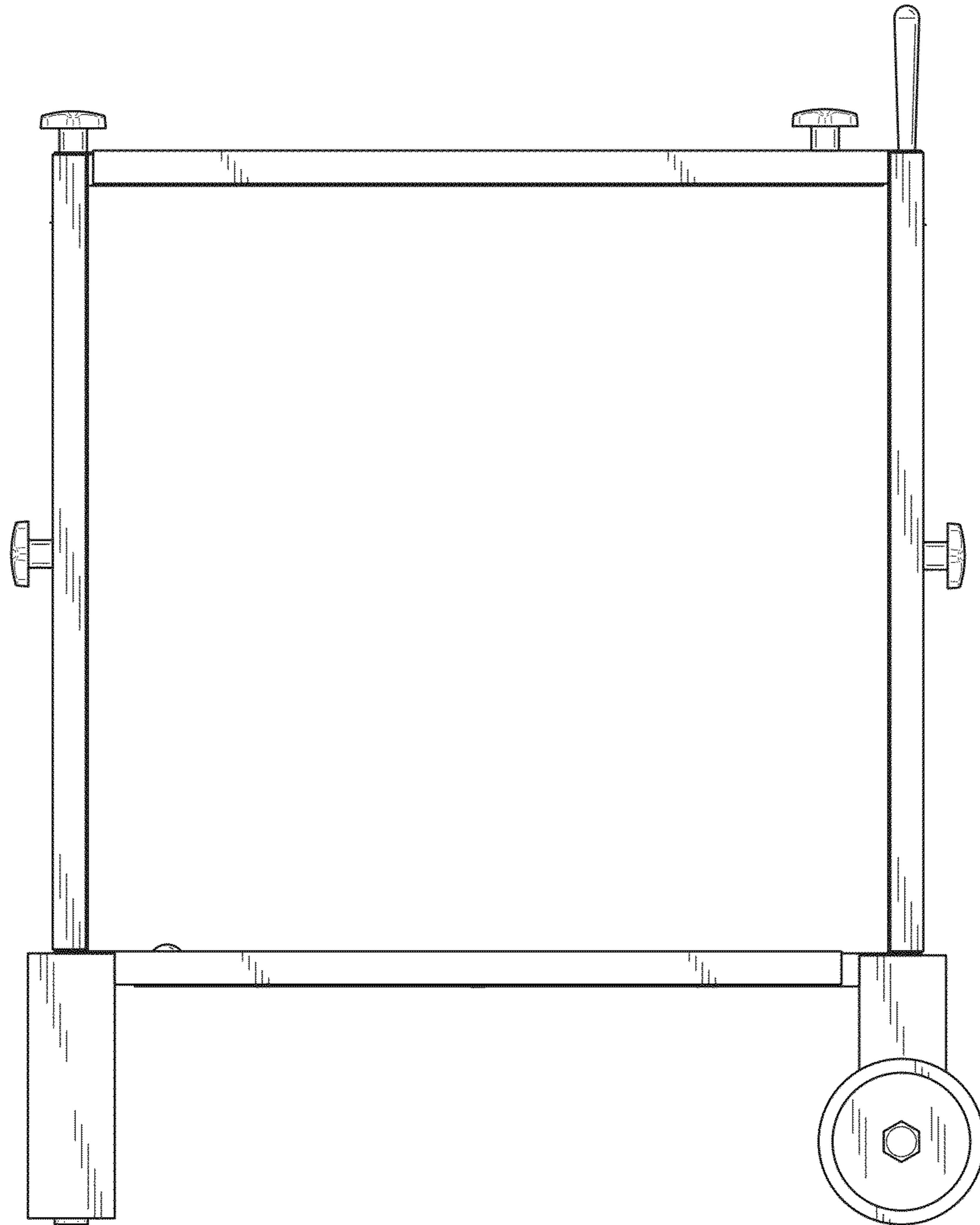
FIG. 1 is a front perspective view of an adjustable target frame;  
FIG. 2 is a right side view thereof in a compacted position, the left side view being a mirror image thereof;  
FIG. 3 is a right side view thereof in a raised position, the left side view being a mirror image thereof;  
FIG. 4 is a front view thereof;  
FIG. 5 is a back view thereof; and,  
FIG. 6 is a top view thereof.

**1 Claim, 6 Drawing Sheets**

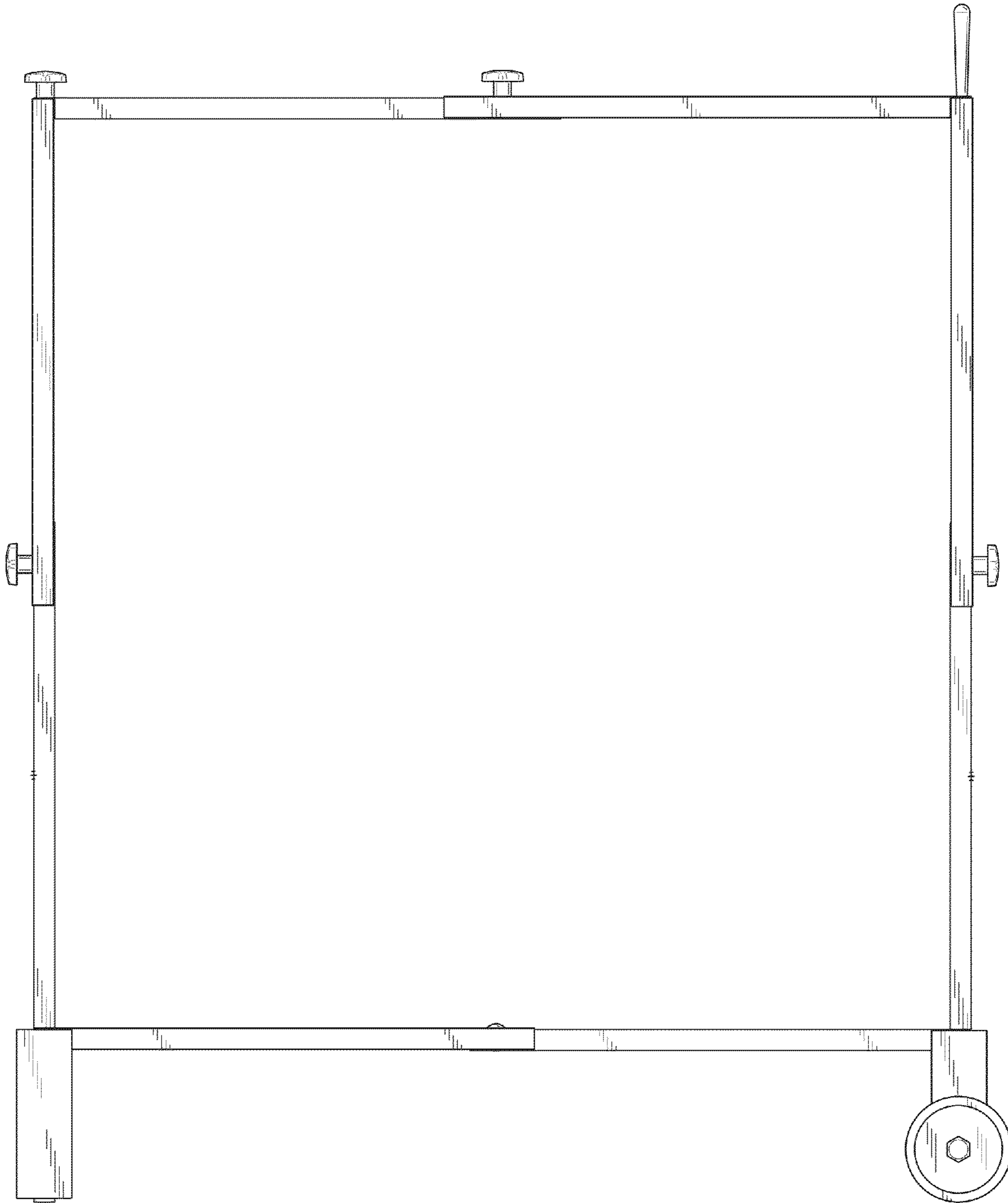




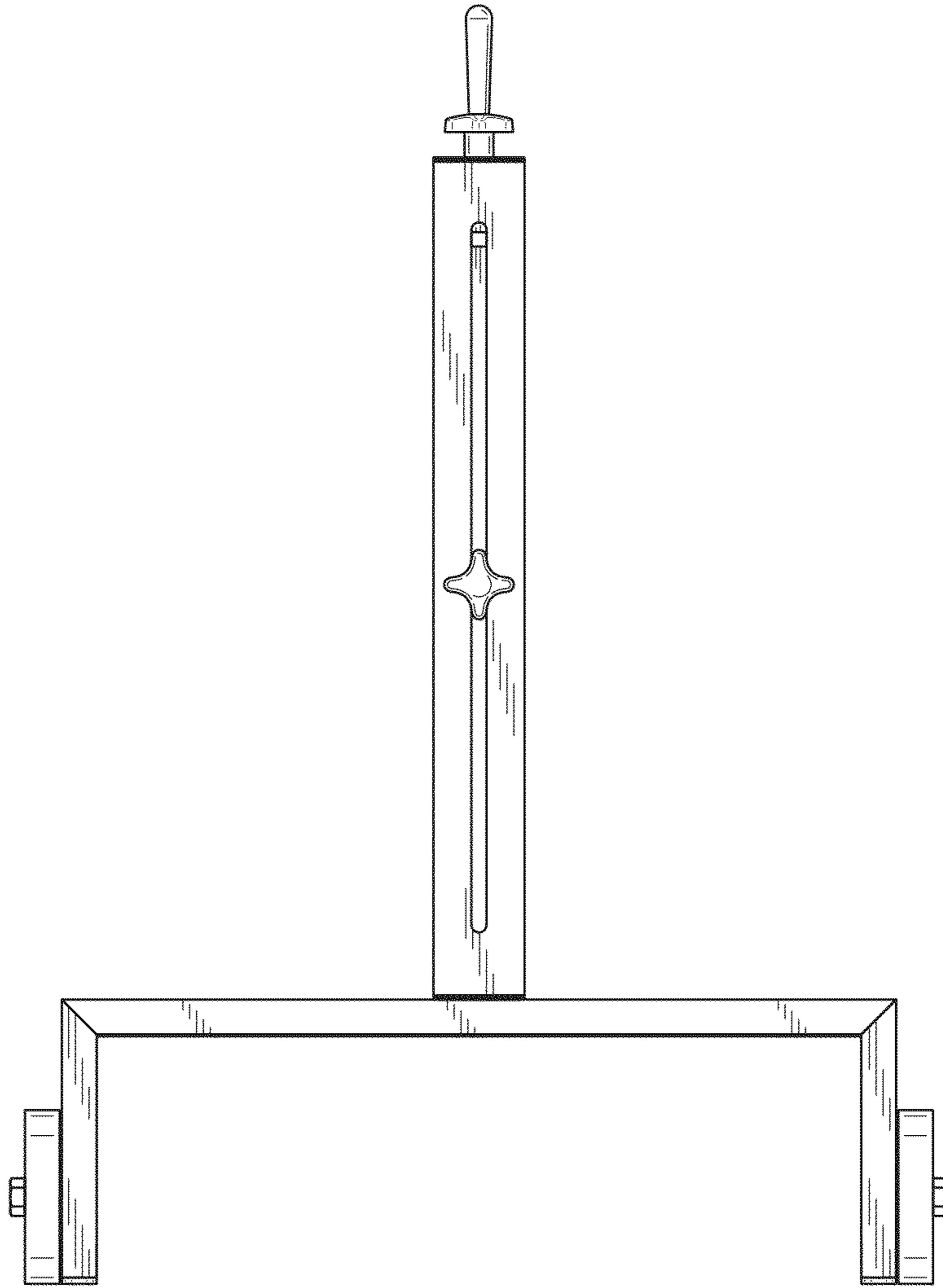
*FIG. 1*



*FIG. 2*

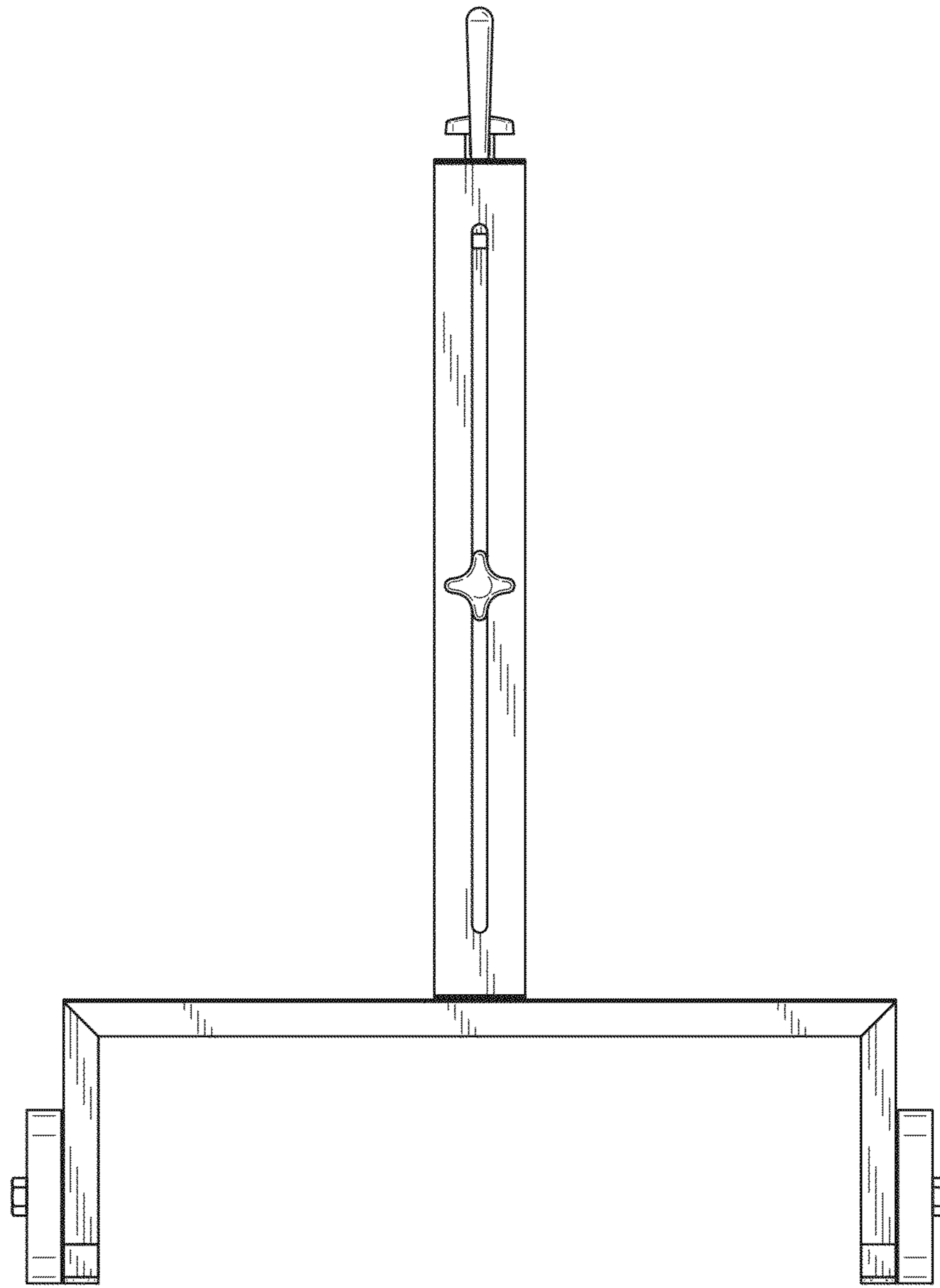


*FIG. 3*

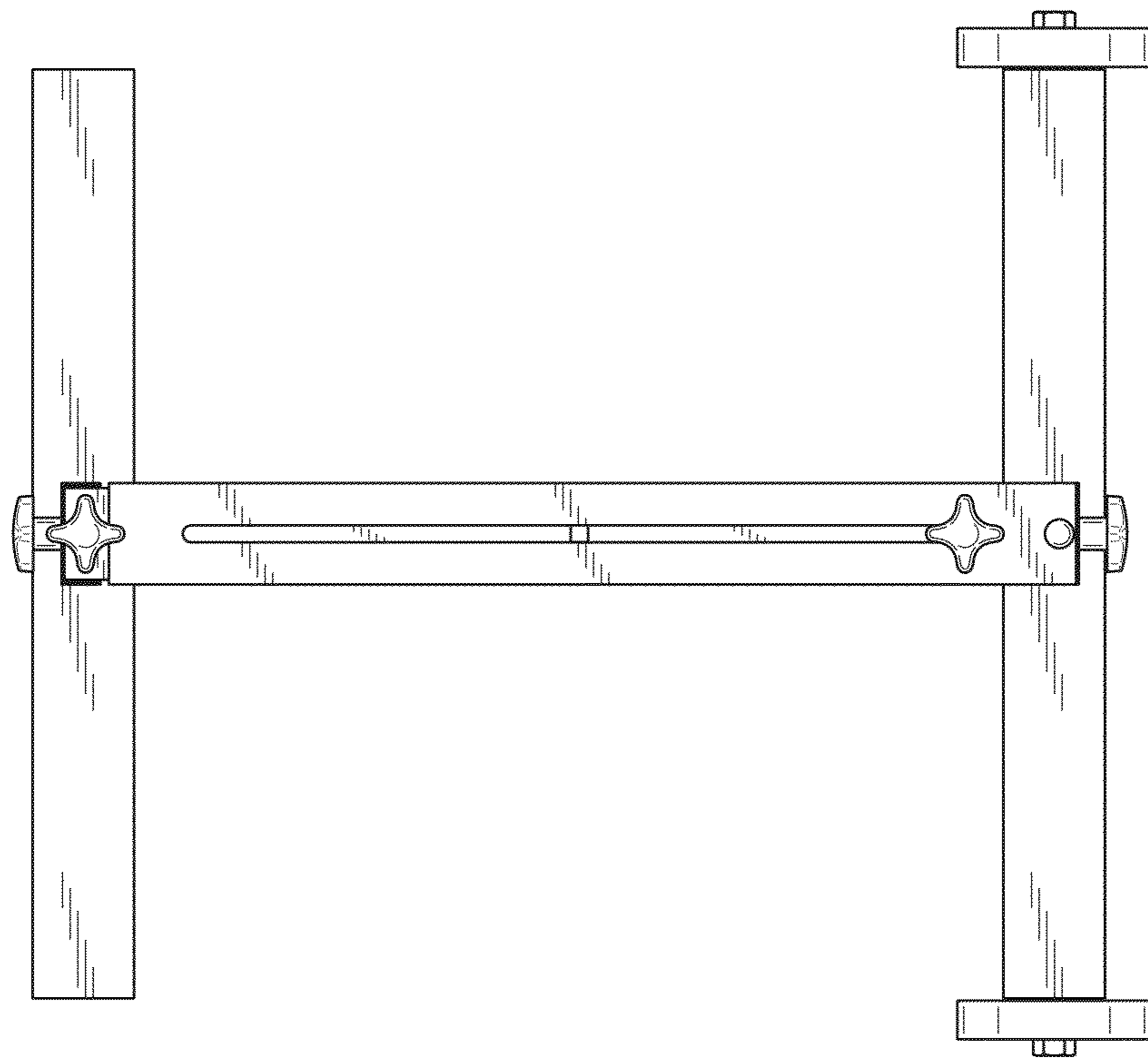


*FIG. 4*





*FIG. 5*



*FIG. 6*