



US00D735830S

(12) **United States Design Patent**
Khoshnood

(10) **Patent No.:** **US D735,830 S**

(45) **Date of Patent:** **** Aug. 4, 2015**

(54) **ARCHERY BOW DAMPENING DEVICE**

(71) Applicant: **Bahram Khoshnood**, Alpharetta, GA
(US)

(72) Inventor: **Bahram Khoshnood**, Alpharetta, GA
(US)

(**) Term: **14 Years**

(21) Appl. No.: **29/482,473**

(22) Filed: **Feb. 19, 2014**

(51) **LOC (10) Cl.** **22-01**

(52) **U.S. Cl.**
USPC **D22/107**

(58) **Field of Classification Search**
USPC D22/107; 124/89, 86, 87, 88; D10/96;
D21/573, 753, 789, 791; 473/300
CPC F41B 5/1407; F41B 5/1426
See application file for complete search history.

(56) **References Cited**

U.S. PATENT DOCUMENTS

6,298,842 B1 * 10/2001 Sims 124/89
D682,971 S * 5/2013 Khoshnood et al. D22/107

D691,232 S * 10/2013 Khoshnood et al. D22/107
8,931,470 B1 * 1/2015 Khoshnood et al. 124/89
2009/0000606 A1 * 1/2009 Cooper et al. 124/25.6
2012/0125310 A1 * 5/2012 Khoshnood 124/89
2015/0034063 A1 * 2/2015 Bidigare et al. 124/89

* cited by examiner

Primary Examiner — Michael A Pratt

(74) *Attorney, Agent, or Firm* — Rodgers & Rodgers

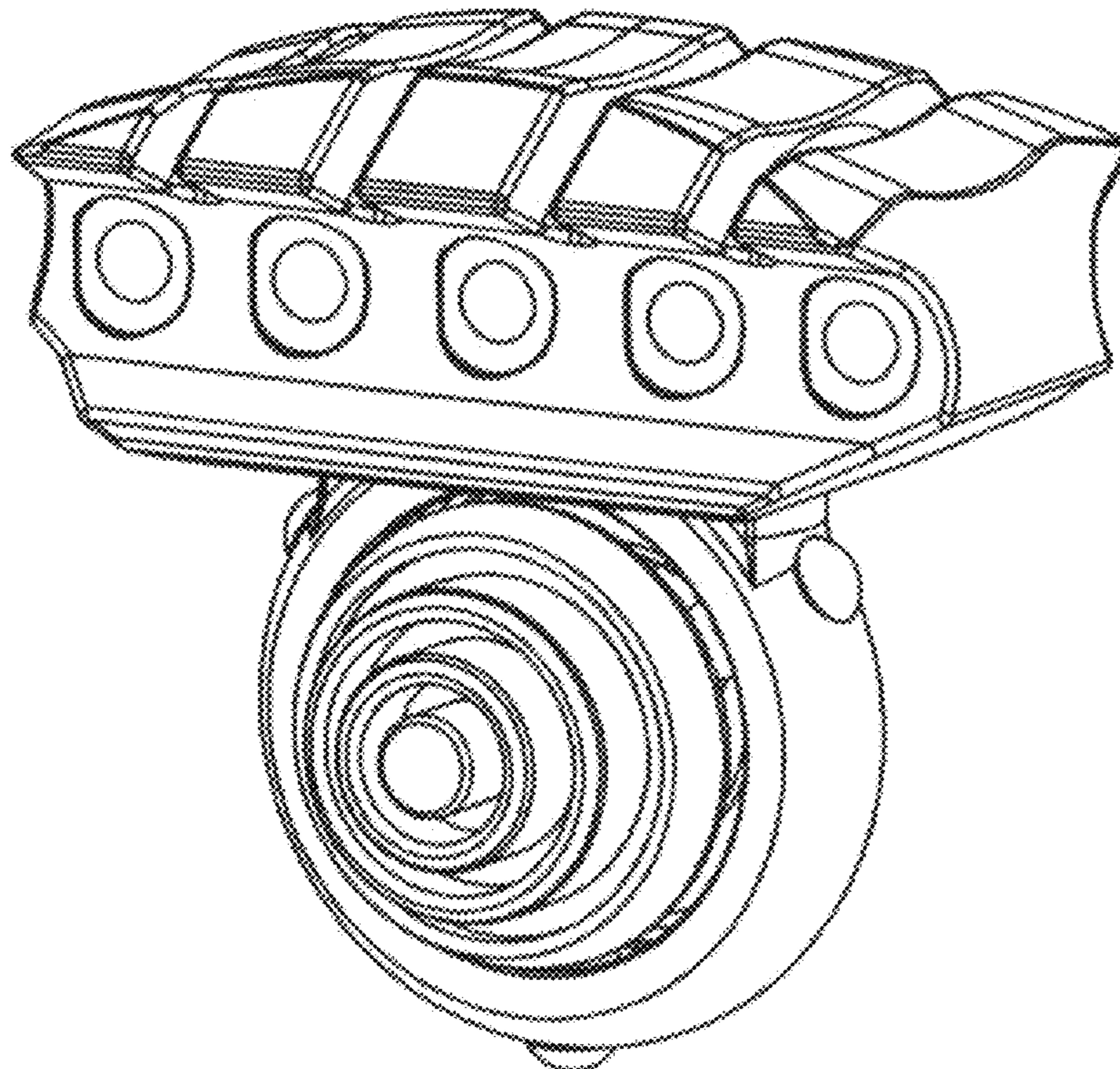
(57) **CLAIM**

The ornamental design for an archery bow dampening device, as shown and described.

DESCRIPTION

FIG. 1 is a perspective view of an archery bow dampening device showing my new design;
FIG. 2 is a bottom plan view thereof;
FIG. 3 is a right-side elevational view thereof, the left side being the same in appearance;
FIG. 4 is a front elevational view thereof, the rear being the same in appearance; and,
FIG. 5 is top plan view thereof.

1 Claim, 5 Drawing Sheets



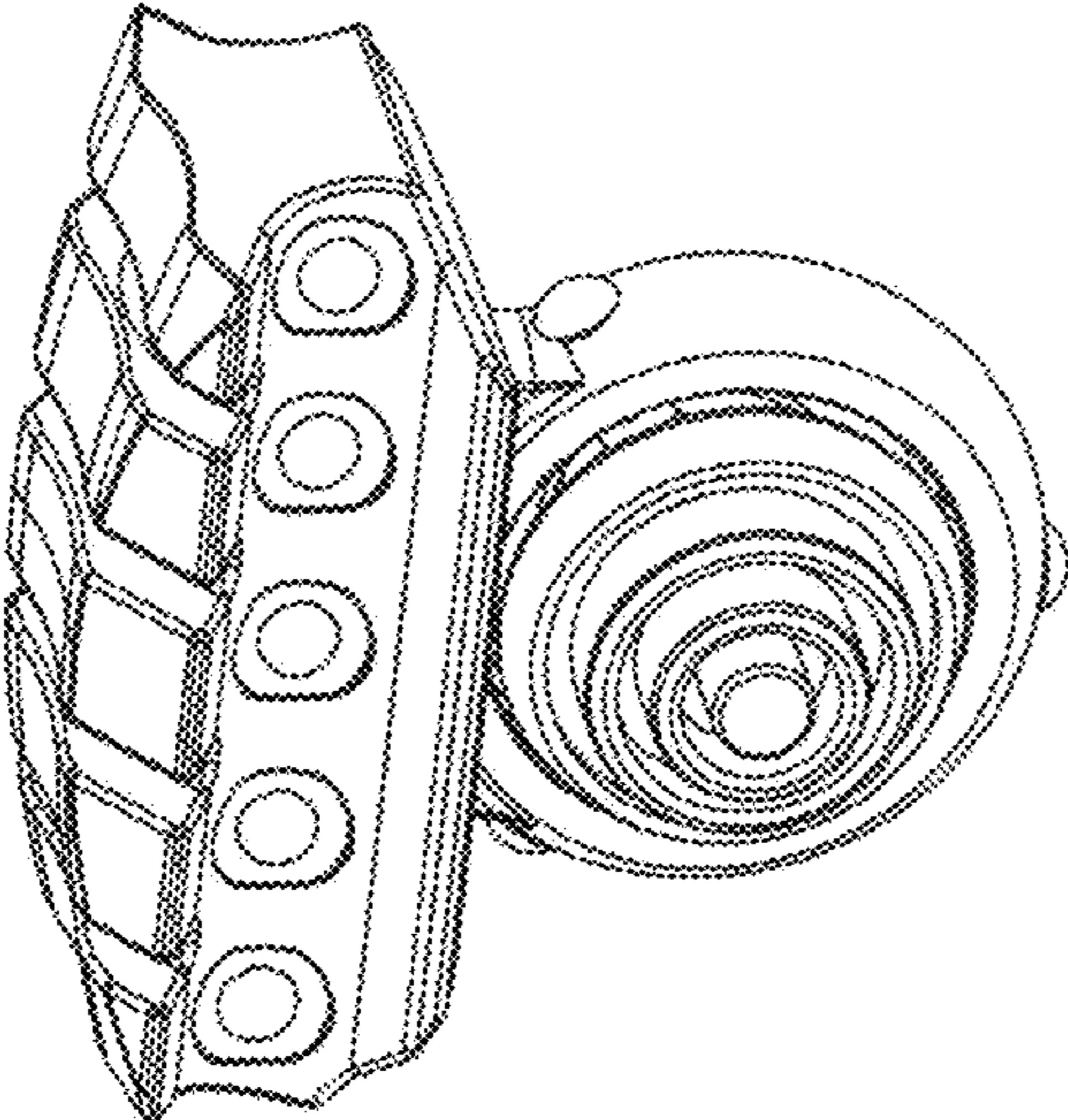


FIG. 1

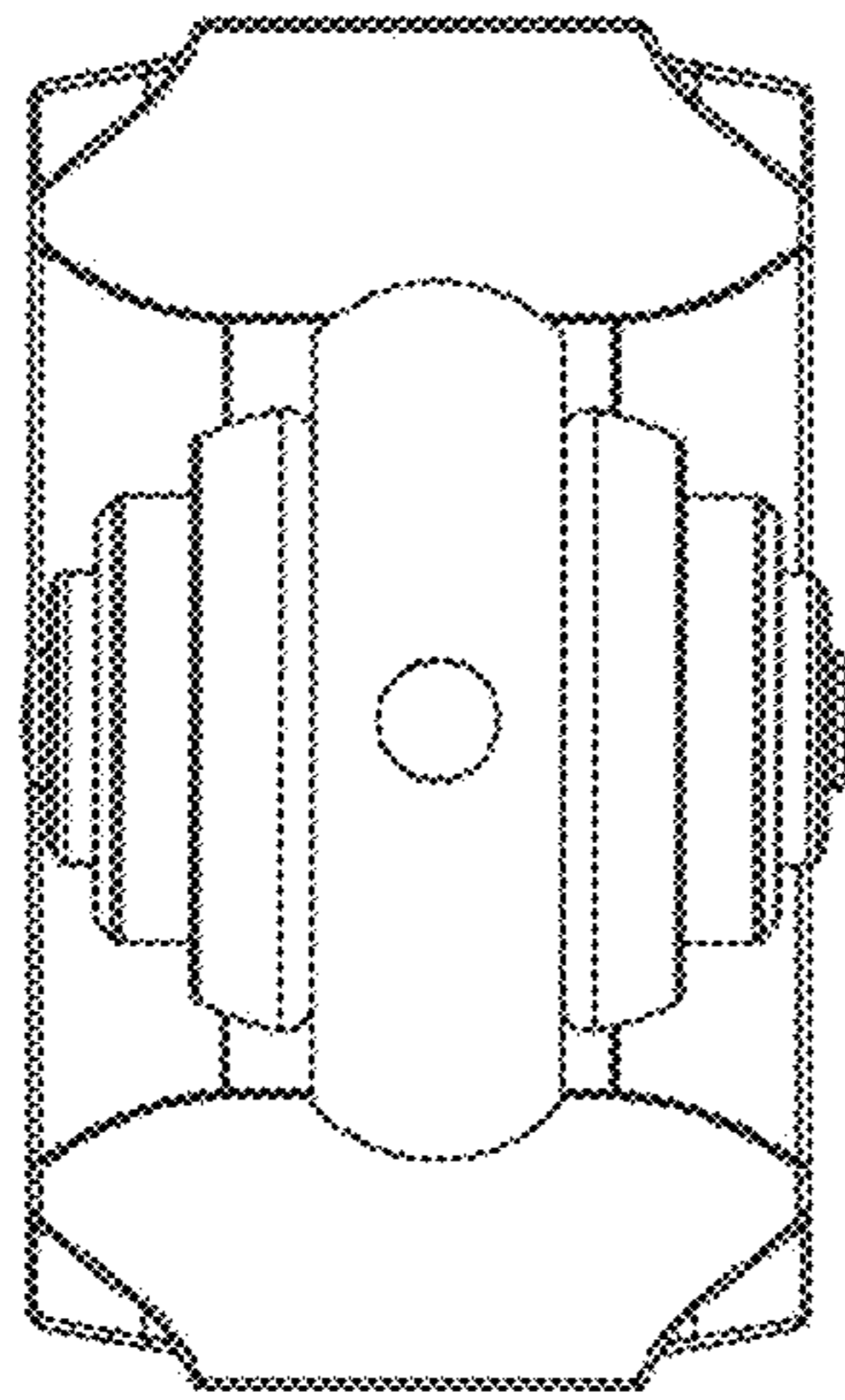


FIG. 2

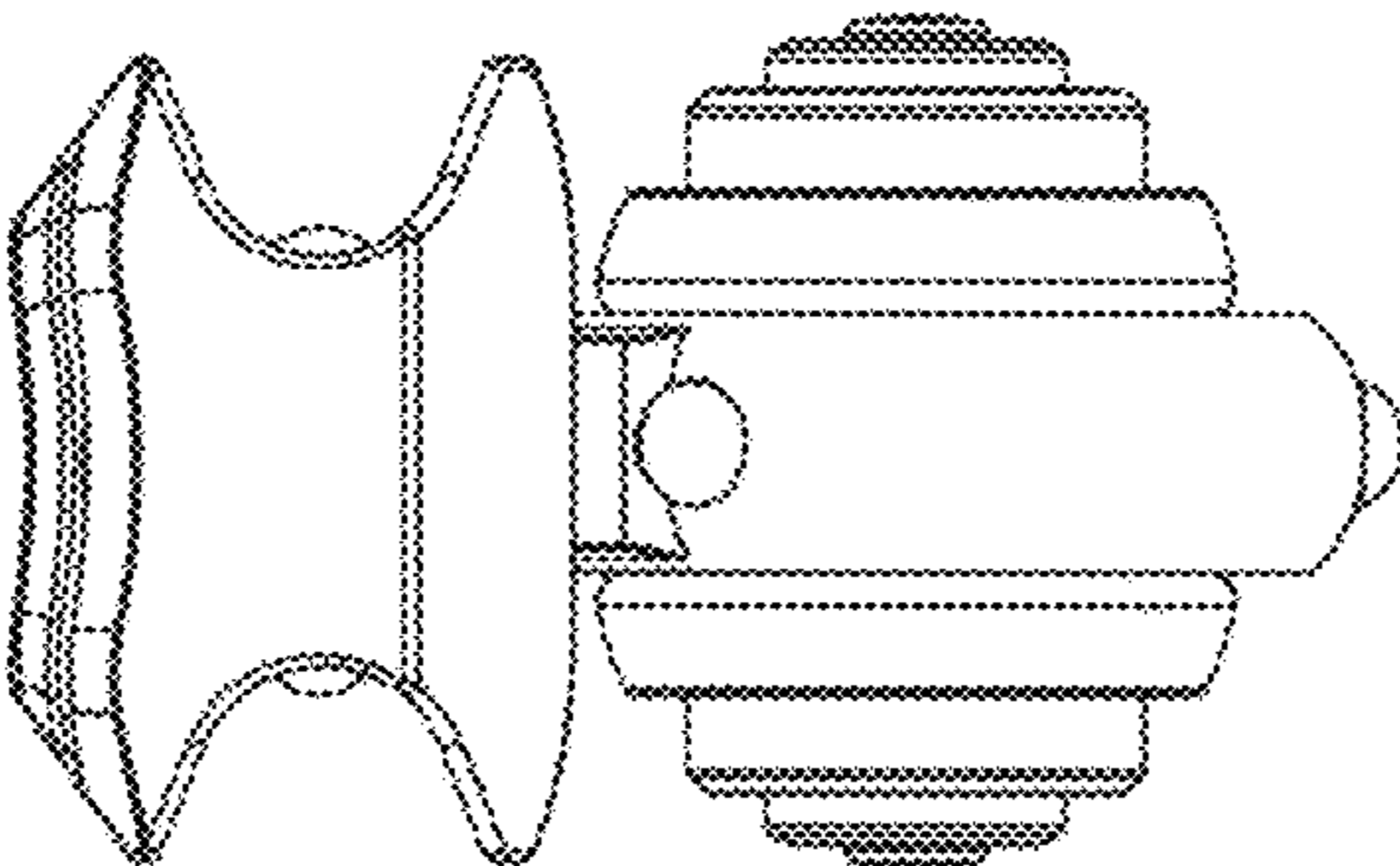


FIG. 3

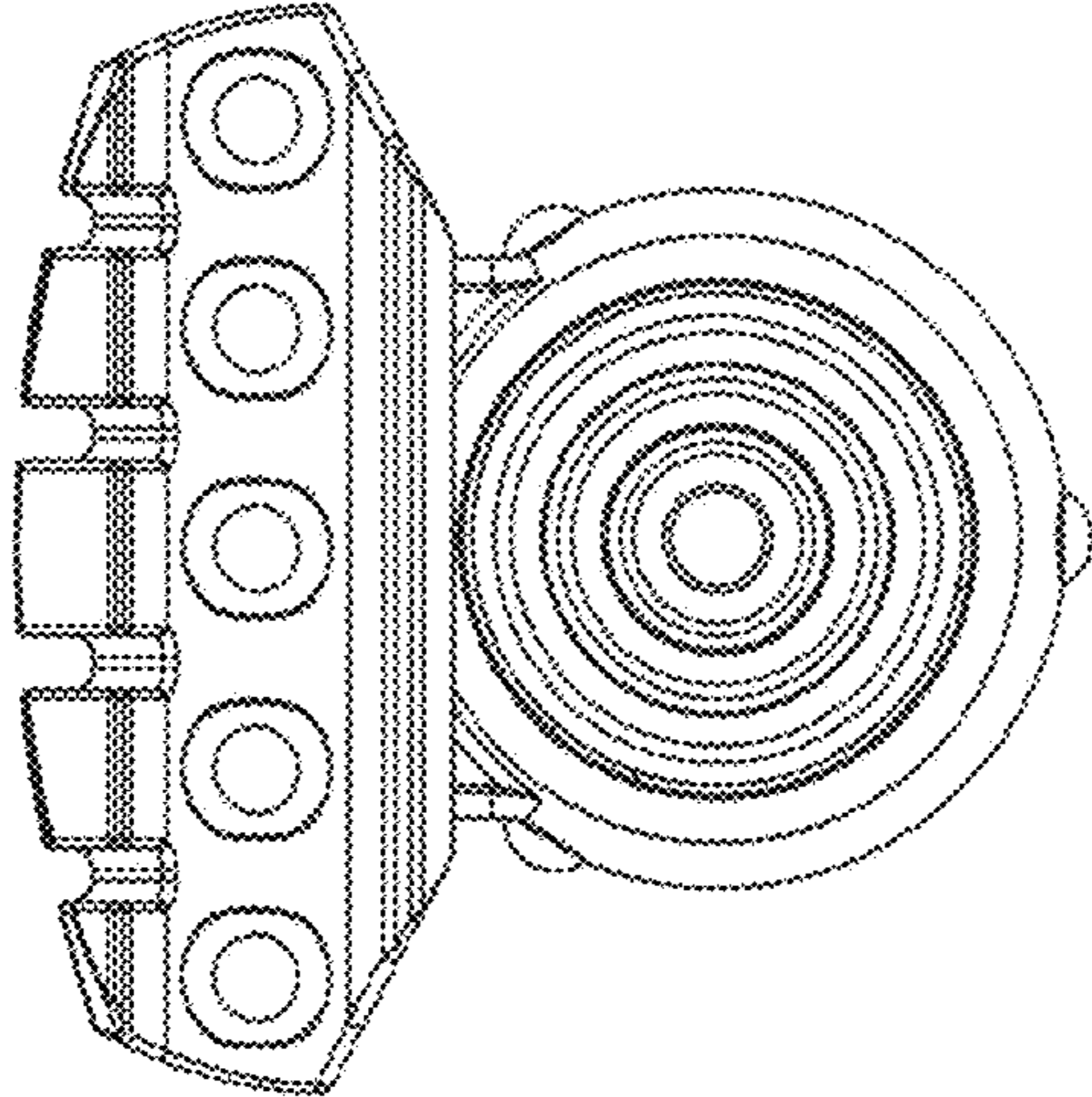


FIG. 4

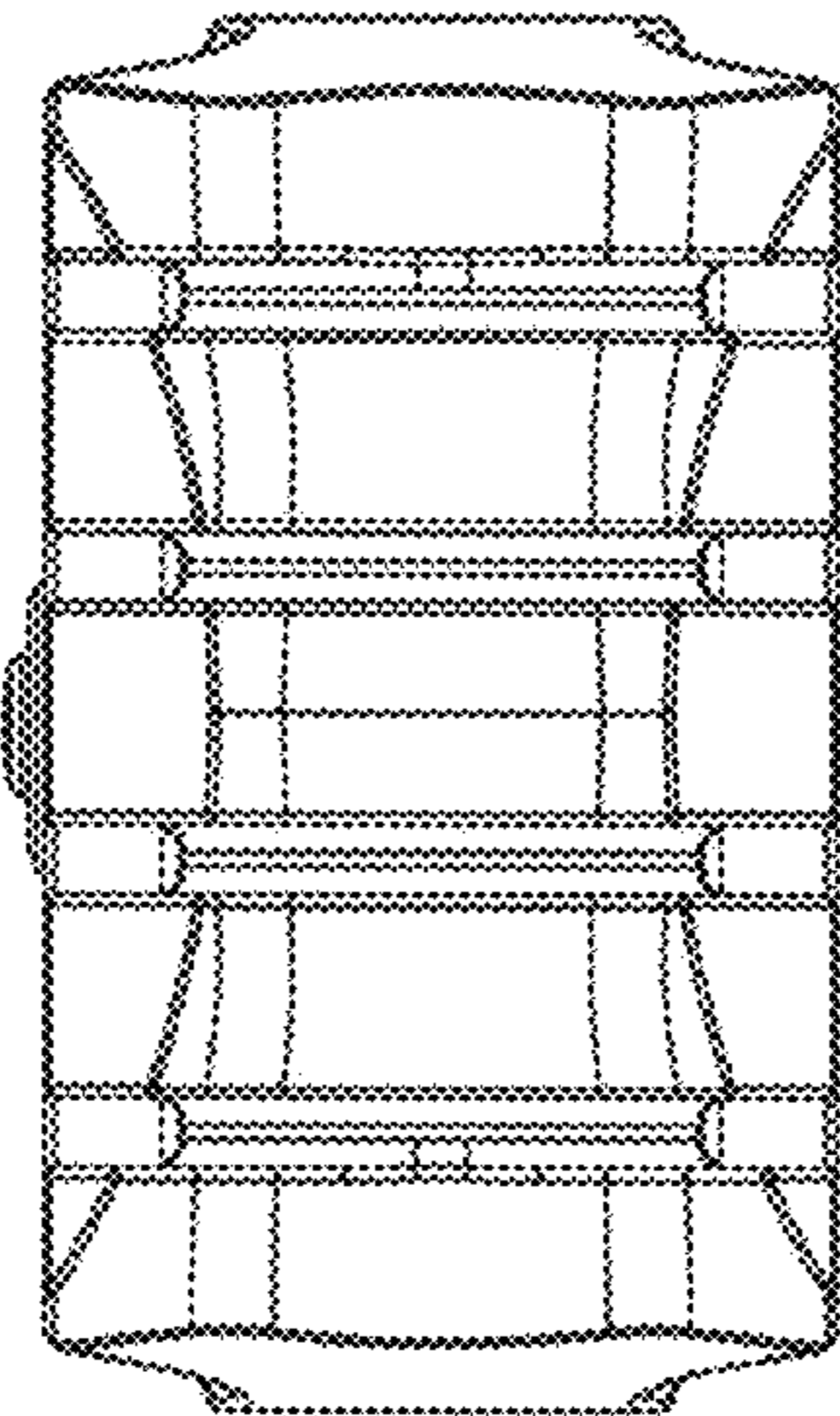


FIG. 5