



US00D735829S

(12) **United States Design Patent**
Bagshot

(10) **Patent No.:** **US D735,829 S**

(45) **Date of Patent:** **** Aug. 4, 2015**

(54) **GOLF ACCESSORY**

(71) Applicant: **Bagshot Enterprises Limited**, St. Ives,
Hampshire (GB)

(72) Inventor: **Karl Bagshot**, St. Ives (GB)

(73) Assignee: **BAGSHOT ENTERPRISES LIMITED**, St. Ives, Hampshire (GB)

(**) Term: **14 Years**

(21) Appl. No.: **29/487,404**

(22) Filed: **Apr. 8, 2014**

(30) **Foreign Application Priority Data**

Oct. 18, 2013 (EM) 002329268-0001

(51) **LOC (10) Cl.** **21-02**

(52) **U.S. Cl.**
USPC **D21/796**

(58) **Field of Classification Search**
USPC D21/789, 796; 473/282, 243; 211/70.2,
211/689; 206/315.2
See application file for complete search history.

(56) **References Cited**

U.S. PATENT DOCUMENTS

3,235,998 A * 2/1966 Hadley 42/94
4,397,112 A * 8/1983 York 42/94
4,616,749 A * 10/1986 Briggs 206/315.2
5,230,507 A * 7/1993 White et al. 473/282
5,413,329 A * 5/1995 Hirsch 473/238
5,482,247 A * 1/1996 Smith 248/688

5,492,230 A * 2/1996 Horton 211/70.2
5,782,704 A * 7/1998 Tetler et al. 473/282
6,283,875 B1 * 9/2001 Jones 473/282
7,771,287 B2 * 8/2010 Staszak 473/282
D641,822 S * 7/2011 Corbin et al. D21/796

* cited by examiner

Primary Examiner — Mitchell Siegel

(74) *Attorney, Agent, or Firm* — David D. Brush; Western,
Champlin & Koehler, P.A.

(57) **CLAIM**

The ornamental design for a golf accessory, as shown and described.

DESCRIPTION

FIG. 1 is a perspective view of the golf accessory showing my new design, according to a first embodiment.

FIG. 2 is a right side elevational view of the golf accessory, according to the first embodiment, the left side elevational view being a mirror image of the right side.

FIG. 3 is a front elevational view of the golf accessory, according to the first embodiment, the rear elevational view being a mirror image of the front view.

FIG. 4 is a top plan view of the golf accessory, according to the first embodiment.

FIG. 5 is a bottom view of the golf accessory, according to the first embodiment; and,

FIG. 6 is a perspective view of the golf accessory in use holding a golf club, according to the first embodiment.

The broken lines of FIGS. 1-6 are included for the purpose of illustrating environmental structure and form no part of the claimed design.

1 Claim, 4 Drawing Sheets

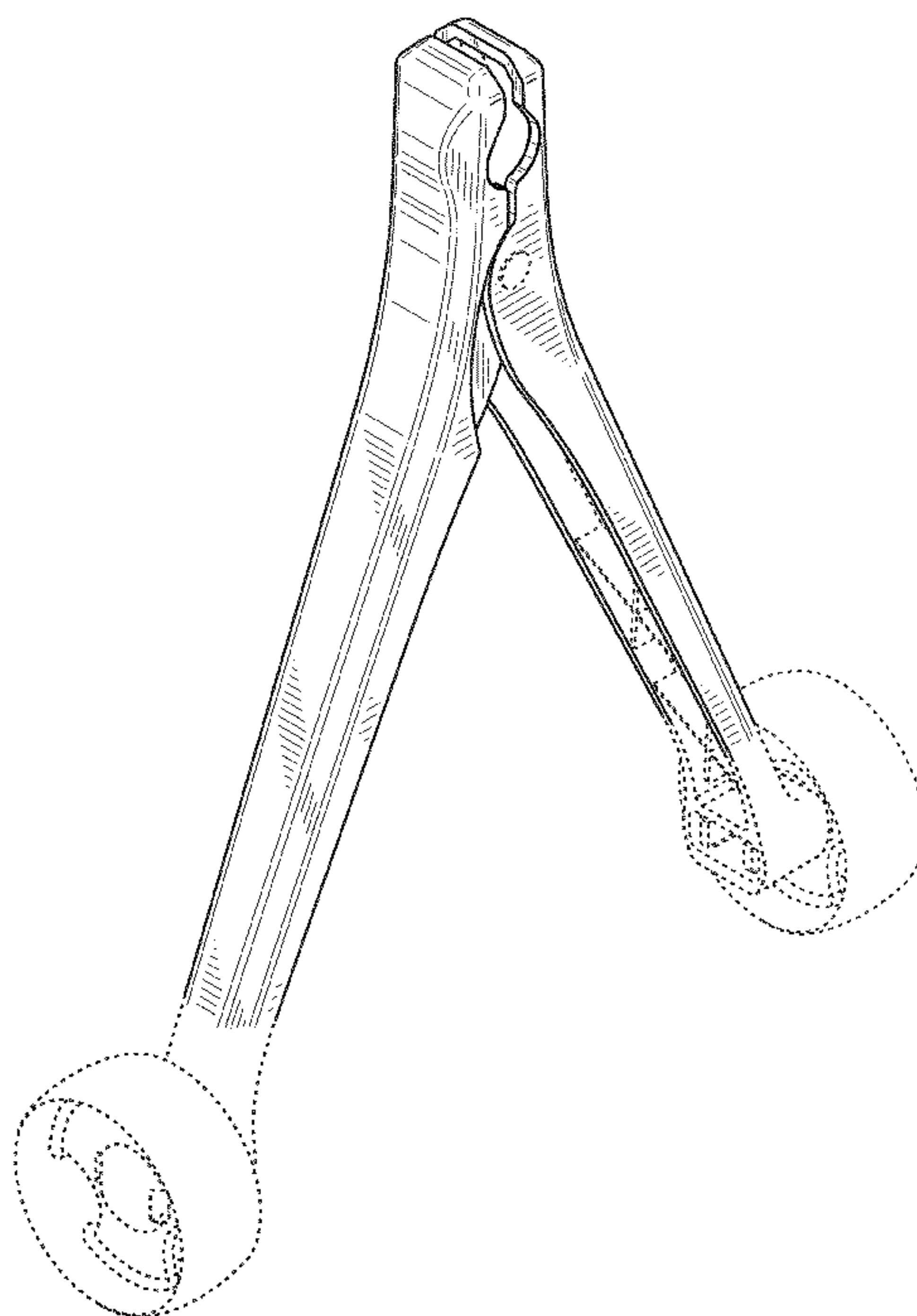


FIG. 1

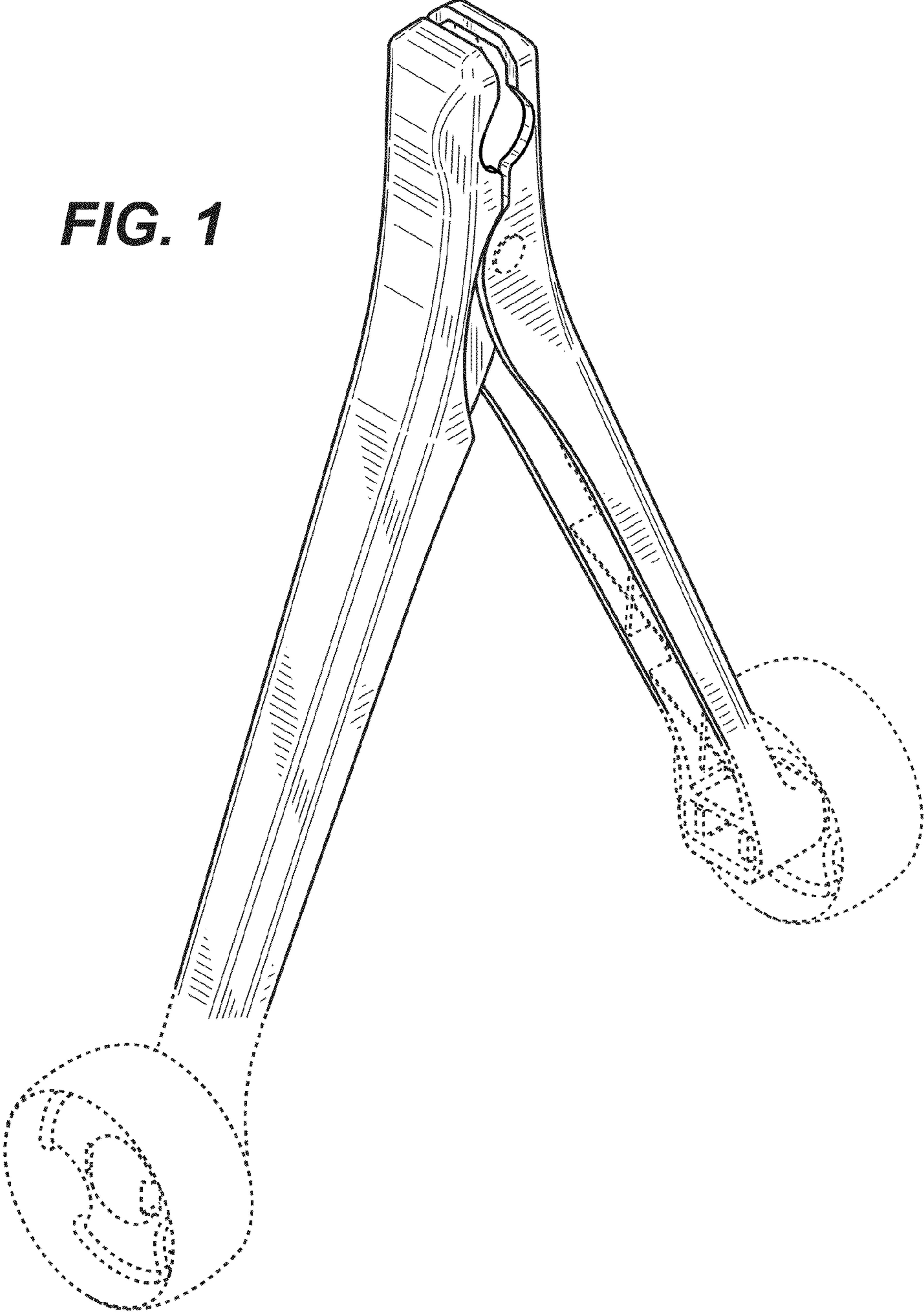


FIG. 2

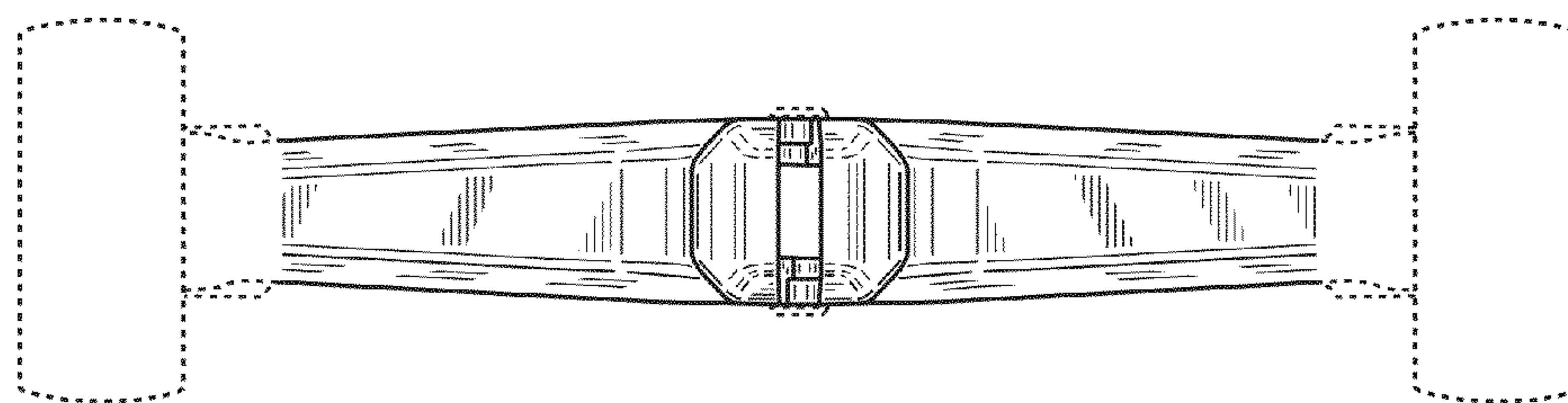
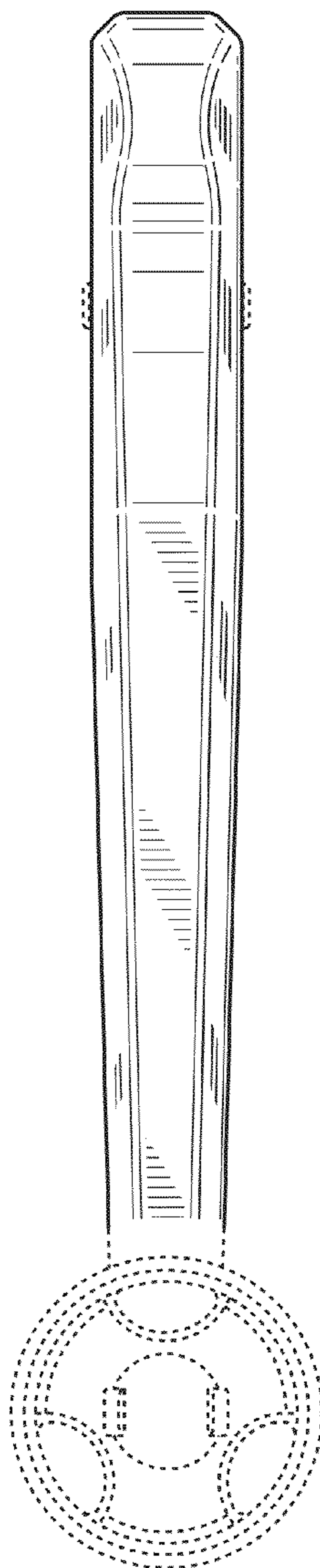


FIG. 4

FIG. 3

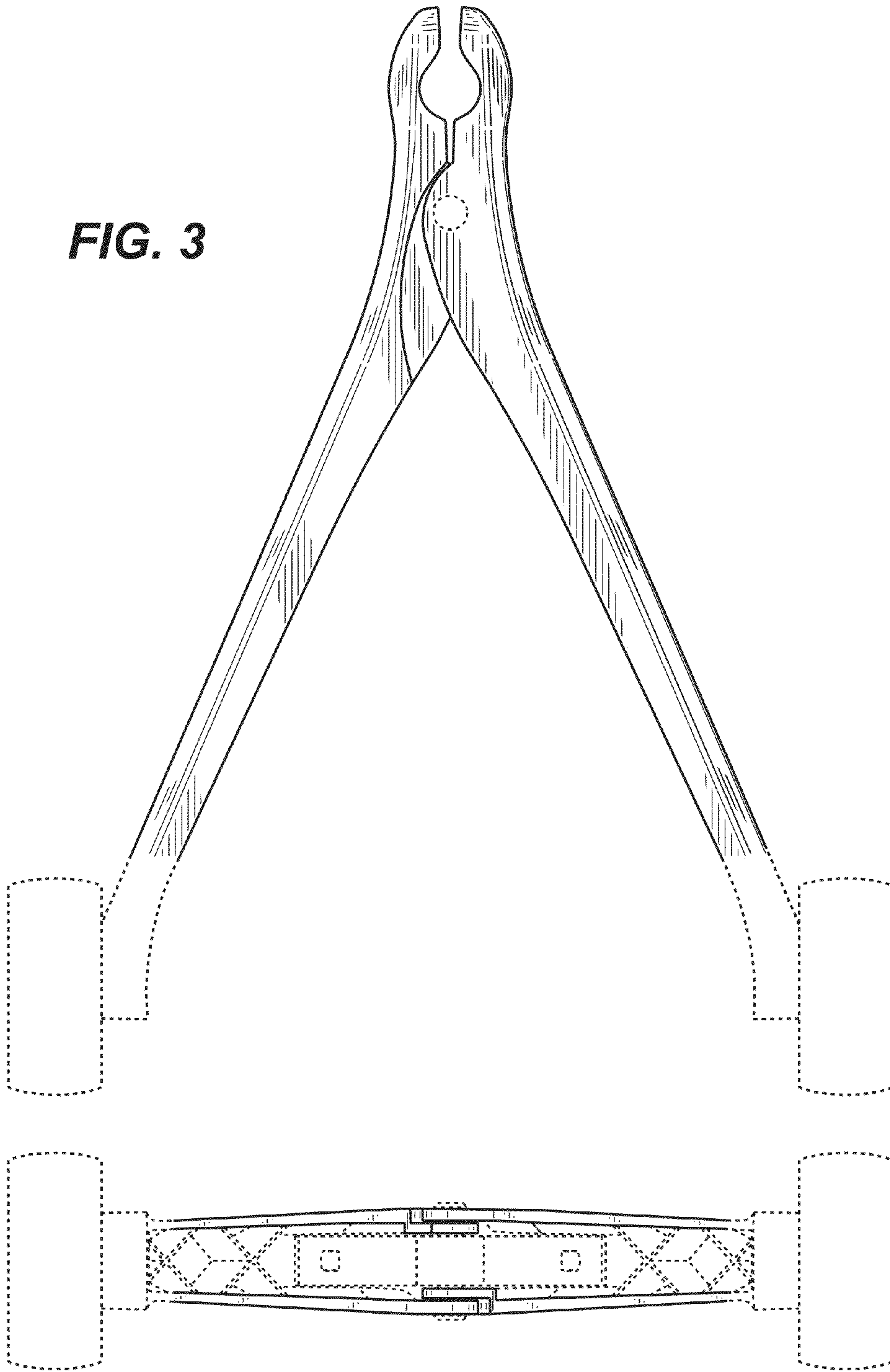


FIG. 5

FIG. 6

