



US00D735828S

(12) **United States Design Patent**  
**Lai**

(10) **Patent No.:** **US D735,828 S**

(45) **Date of Patent:** **\*\* Aug. 4, 2015**

(54) **SKATEBOARD**

(71) Applicant: **Po-Chih Lai**, Kaohsiung (TW)

(72) Inventor: **Po-Chih Lai**, Kaohsiung (TW)

(\*\*) Term: **14 Years**

(21) Appl. No.: **29/477,115**

(22) Filed: **Dec. 19, 2013**

**Related U.S. Application Data**

(63) Continuation-in-part of application No. 29/438,421, filed on Nov. 29, 2012, now Pat. No. Des. 699,309.

(51) **LOC (10) Cl.** ..... **21-02**

(52) **U.S. Cl.**  
USPC ..... **D21/765**

(58) **Field of Classification Search**  
USPC ..... D21/419, 421, 423, 426, 760, 765, 766,  
D21/769, 771, 776, 803; 280/7.14, 11.115,  
280/11.19, 11.27, 11.28, 14.21, 87.01,  
280/87.021, 87.03, 87.041, 87.042, 607,  
280/608, 609, 809; 180/180, 181; 434/247,  
434/253, 258  
CPC .... A63C 17/01; A63C 17/011; A63C 17/012;  
A63C 17/014; A63C 17/015; A63C 17/02;  
A63C 17/26; A63C 5/003; A63B 69/0022;  
B60Q 1/326; B62K 3/001

See application file for complete search history.

(56) **References Cited**

U.S. PATENT DOCUMENTS

D398,358 S \* 9/1998 Jeffreys ..... D21/765  
D444,197 S \* 6/2001 Augustin ..... D21/765  
D505,704 S \* 5/2005 Ying ..... D21/765

\* cited by examiner

*Primary Examiner* — Cynthia M Chin

(74) *Attorney, Agent, or Firm* — Ming Chow; Sinorica, LLC

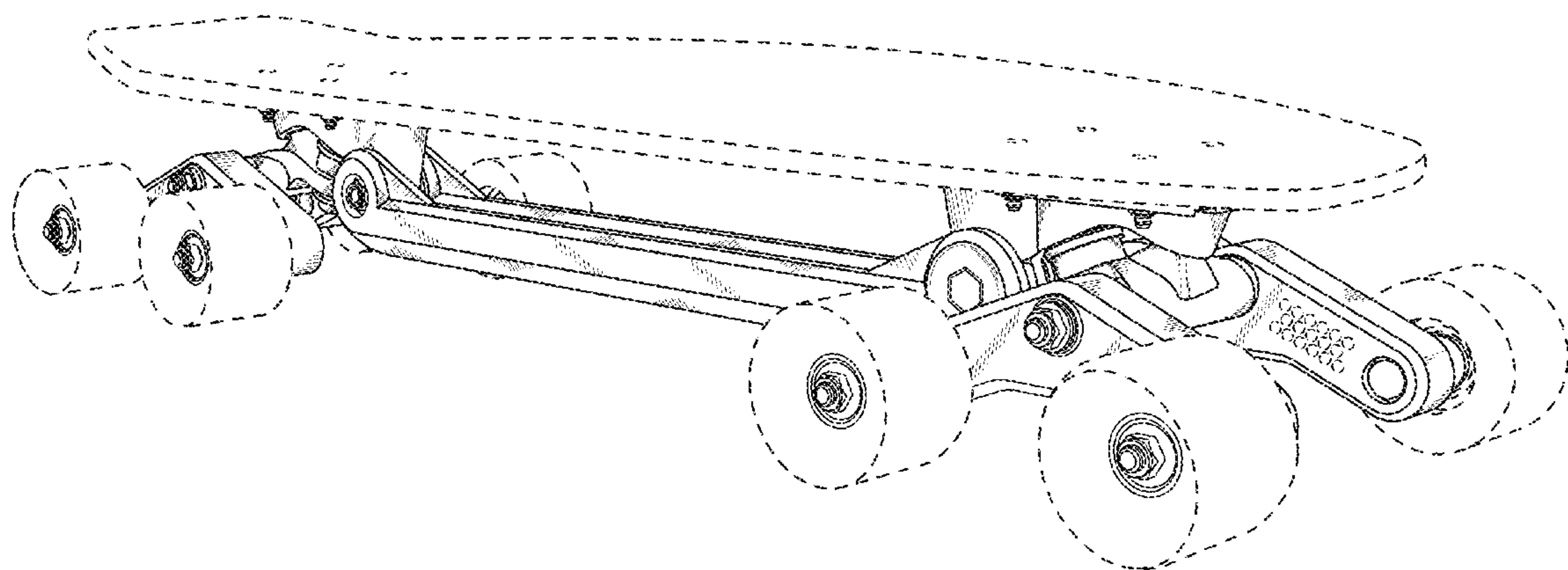
(57) **CLAIM**

The ornamental design for a skateboard, as shown and described.

**DESCRIPTION**

FIG. 1 is a front perspective view of a skateboard of the new design;  
FIG. 2 is a rear view thereof;  
FIG. 3 is a front view thereof;  
FIG. 4 is a right-side view thereof;  
FIG. 5 is a left-side view thereof;  
FIG. 6 is a top view thereof;  
FIG. 7 is a bottom view thereof;  
FIG. 8 is an enlarged front perspective partial view taken from the front truck (right side) of FIG. 1, the opposite side being a mirror image; and,  
FIG. 9 is an enlarged front perspective partial view taken from the rear truck (left side) in FIG. 1, the opposite side being a mirror image.  
The broken lines shown are included for the purposes of illustrating the unclaimed portions of the article and form no part of the claimed design.

**1 Claim, 8 Drawing Sheets**



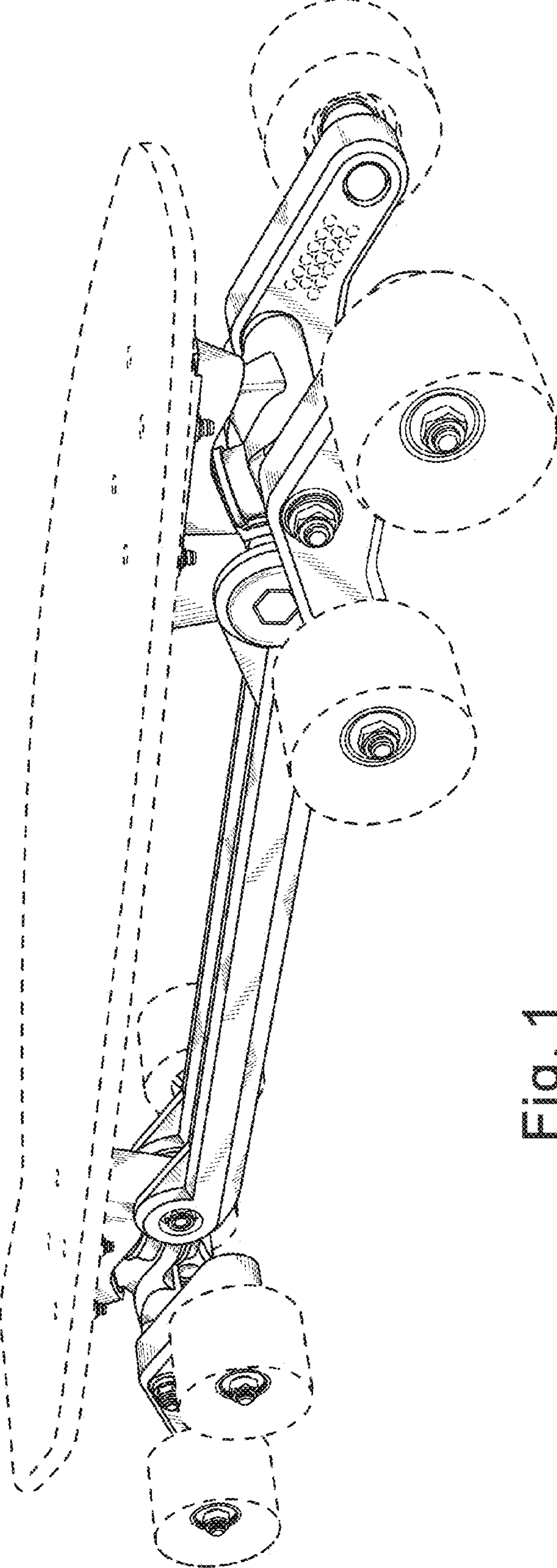


Fig. 1

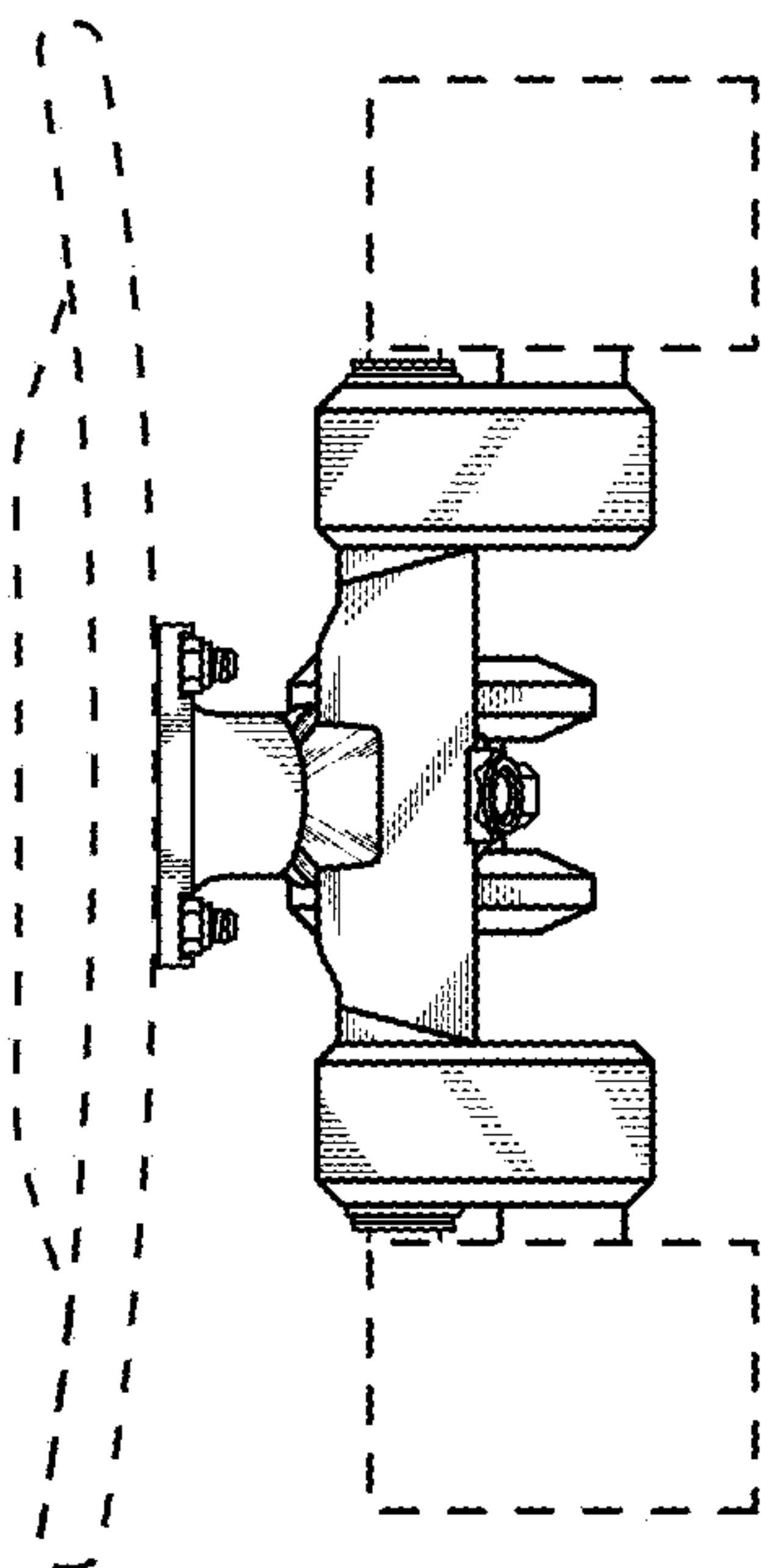


Fig. 3

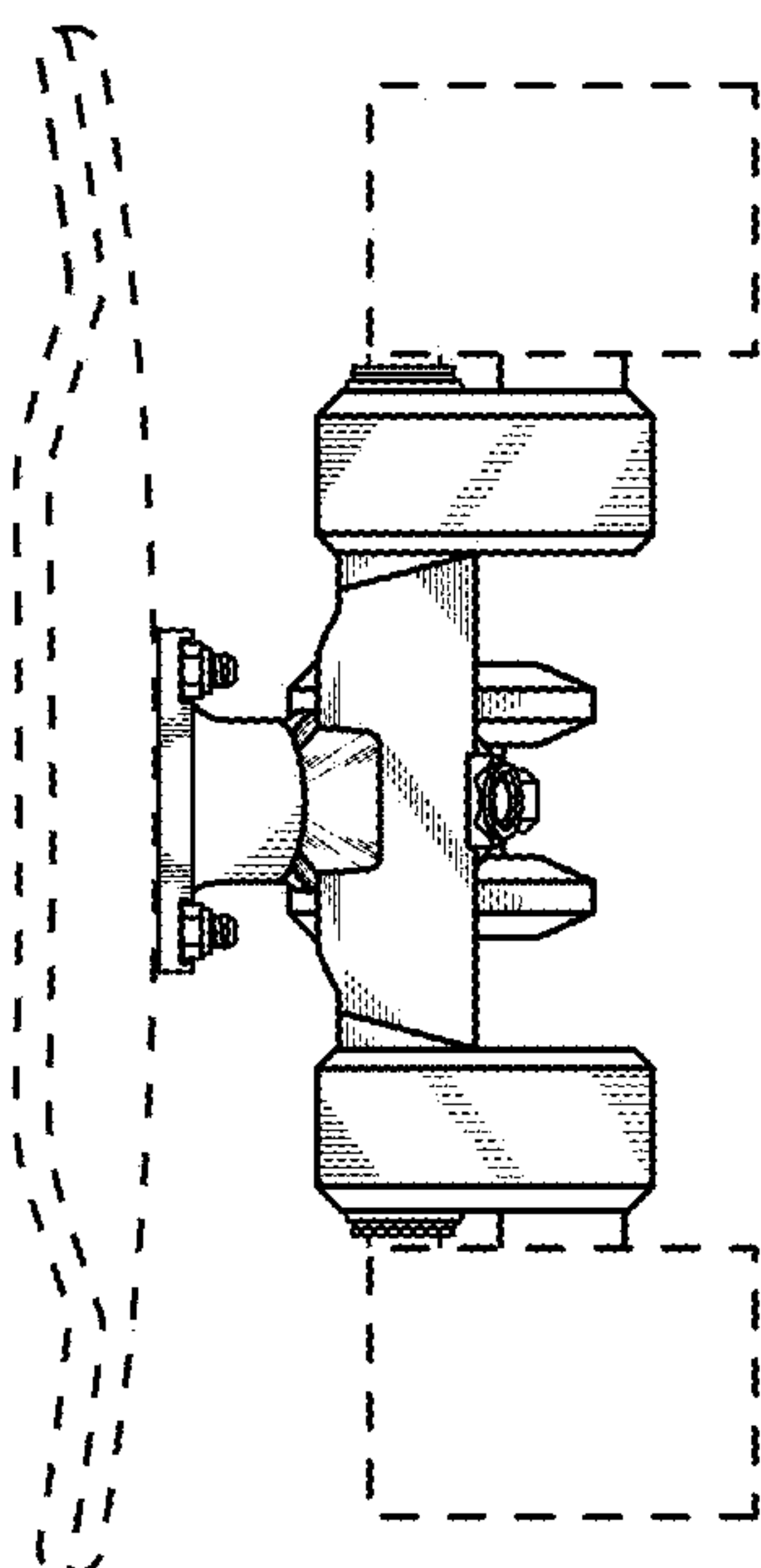


Fig. 2

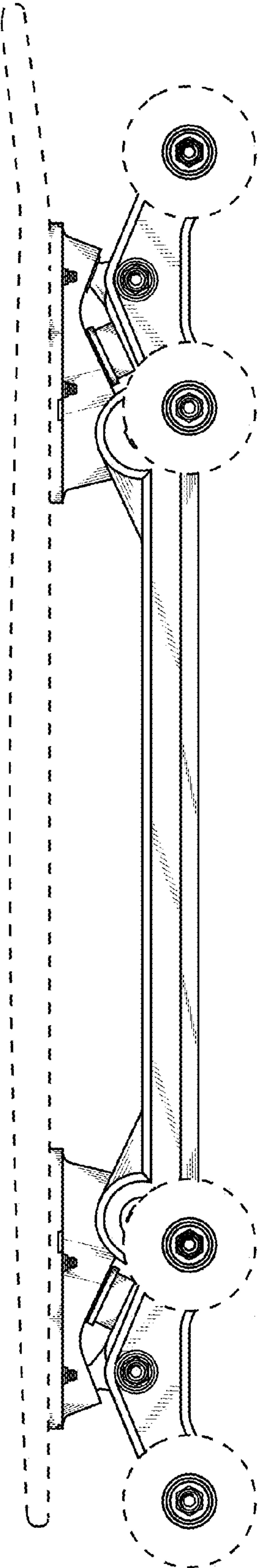


Fig. 4

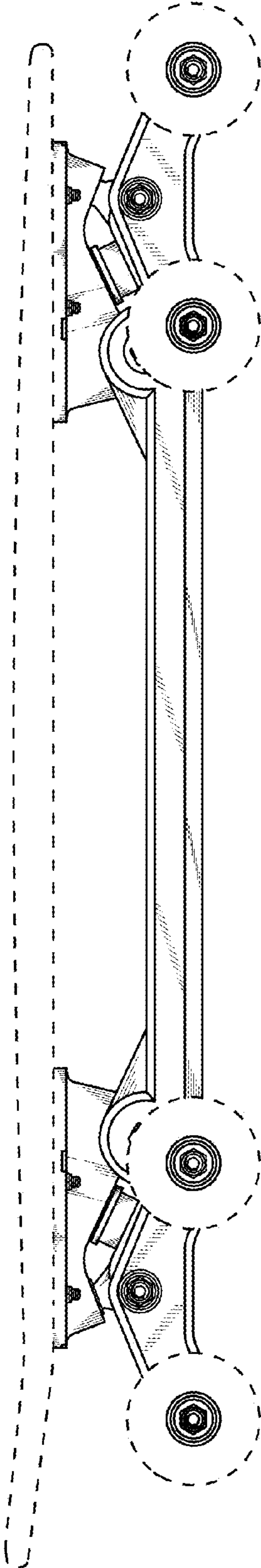


Fig. 5



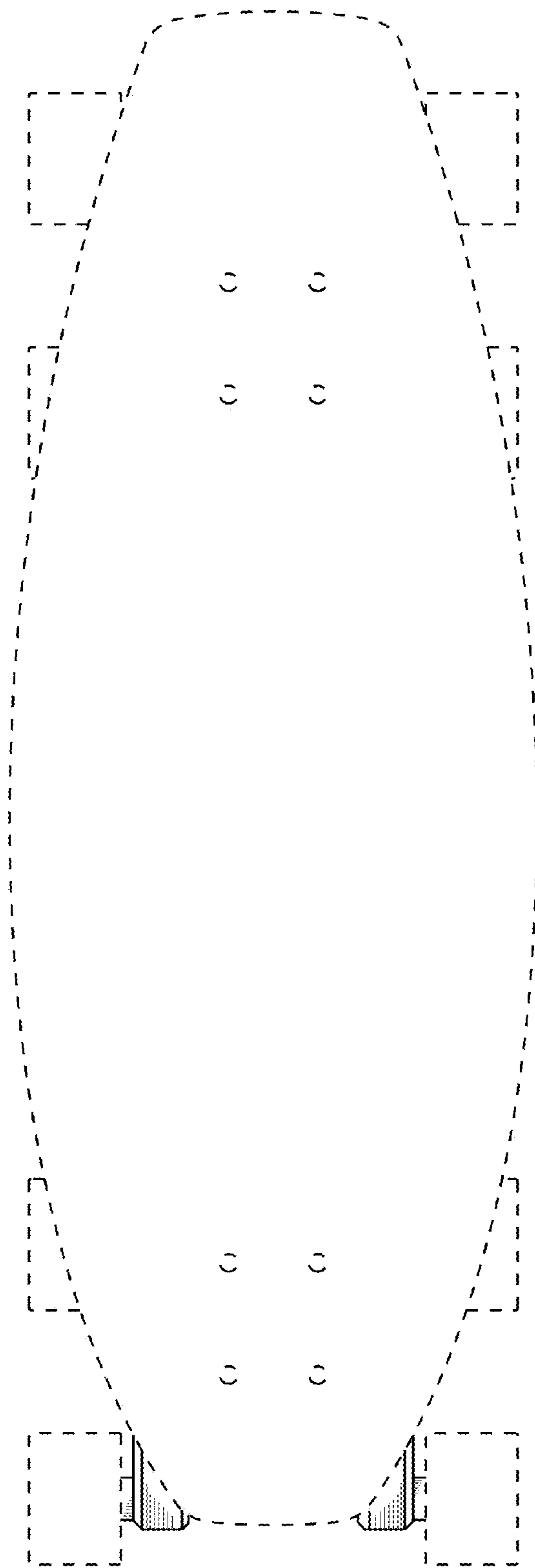


Fig. 6

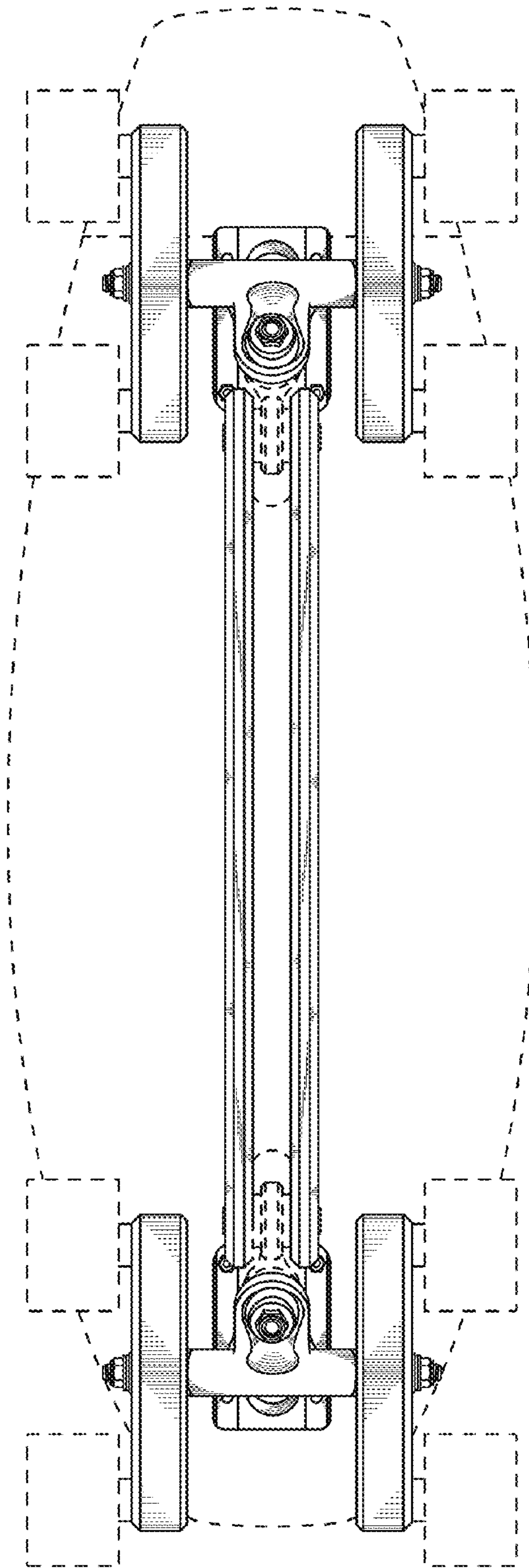


Fig. 7

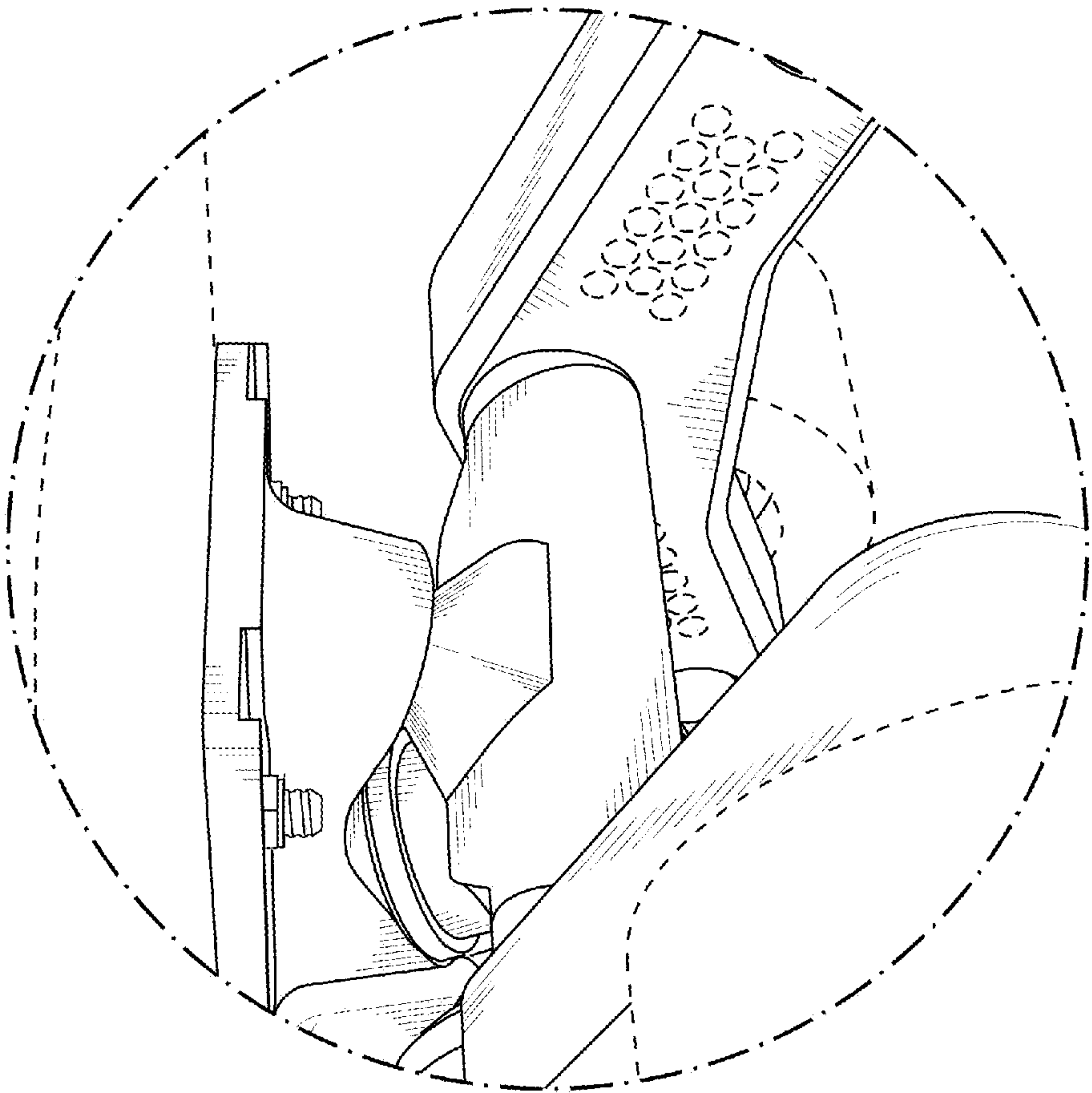


Fig. 8



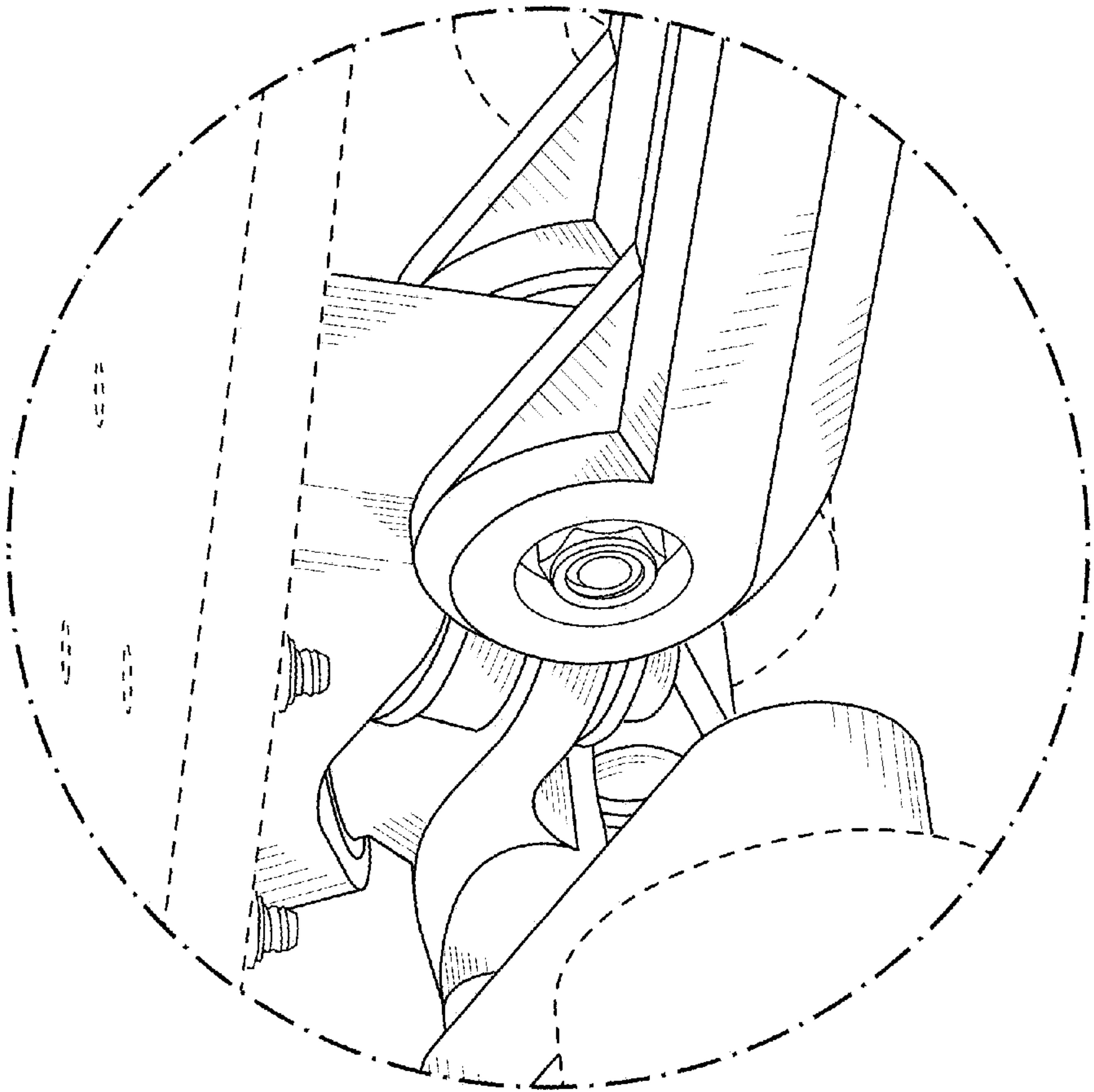


Fig. 9