

US00D735826S

(12) **United States Design Patent**
Seagram

(10) **Patent No.:** **US D735,826 S**

(45) **Date of Patent:** **** Aug. 4, 2015**

- (54) **GOLF CLUB HEAD**
- (71) Applicant: **Dunlop Sports Company Limited,**
Kobe (JP)
- (72) Inventor: **Phillip C. Seagram,** Long Beach, CA
(US)
- (73) Assignee: **DUNLOP SPORTS CO., LTD.,**
Kobe-shi (JP)

D516,654 S *	3/2006	Kono	D21/759
D537,494 S *	2/2007	Jertson et al.	D21/747
D547,817 S *	7/2007	Iwata et al.	D21/759
D552,703 S *	10/2007	Iwata et al.	D21/759
D559,931 S *	1/2008	Roach et al.	D21/747
D641,444 S *	7/2011	Llewellyn et al.	D21/759
D641,821 S *	7/2011	Llewellyn et al.	D21/759
D654,547 S *	2/2012	Jertson et al.	D21/747
8,753,230 B2 *	6/2014	Stokke et al.	473/350
D713,903 S *	9/2014	Kono	D21/759

* cited by examiner

(**) Term: **14 Years**

Primary Examiner — Mitchell Siegel

(21) Appl. No.: **29/493,693**

(74) *Attorney, Agent, or Firm* — Oliff PLC

(22) Filed: **Jun. 12, 2014**

(57) **CLAIM**

(51) **LOC (10) Cl.** **21-02**

The ornamental design for golf club head, as shown and described.

(52) **U.S. Cl.**
USPC **D21/759**

DESCRIPTION

(58) **Field of Classification Search**
USPC D21/747-751, 759
CPC A63B 53/00; A63B 53/04; A63B 53/047;
A63B 53/0475

See application file for complete search history.

FIG. 1 is a rear perspective view embodying the inventive design;

FIG. 2 is a front elevational view thereof;

FIG. 3 is a rear elevational view thereof;

FIG. 4 is a right-side elevational view thereof;

FIG. 5 is a left-side elevational view thereof;

FIG. 6 is top plan view thereof; and,

FIG. 7 is a bottom plan view thereof.

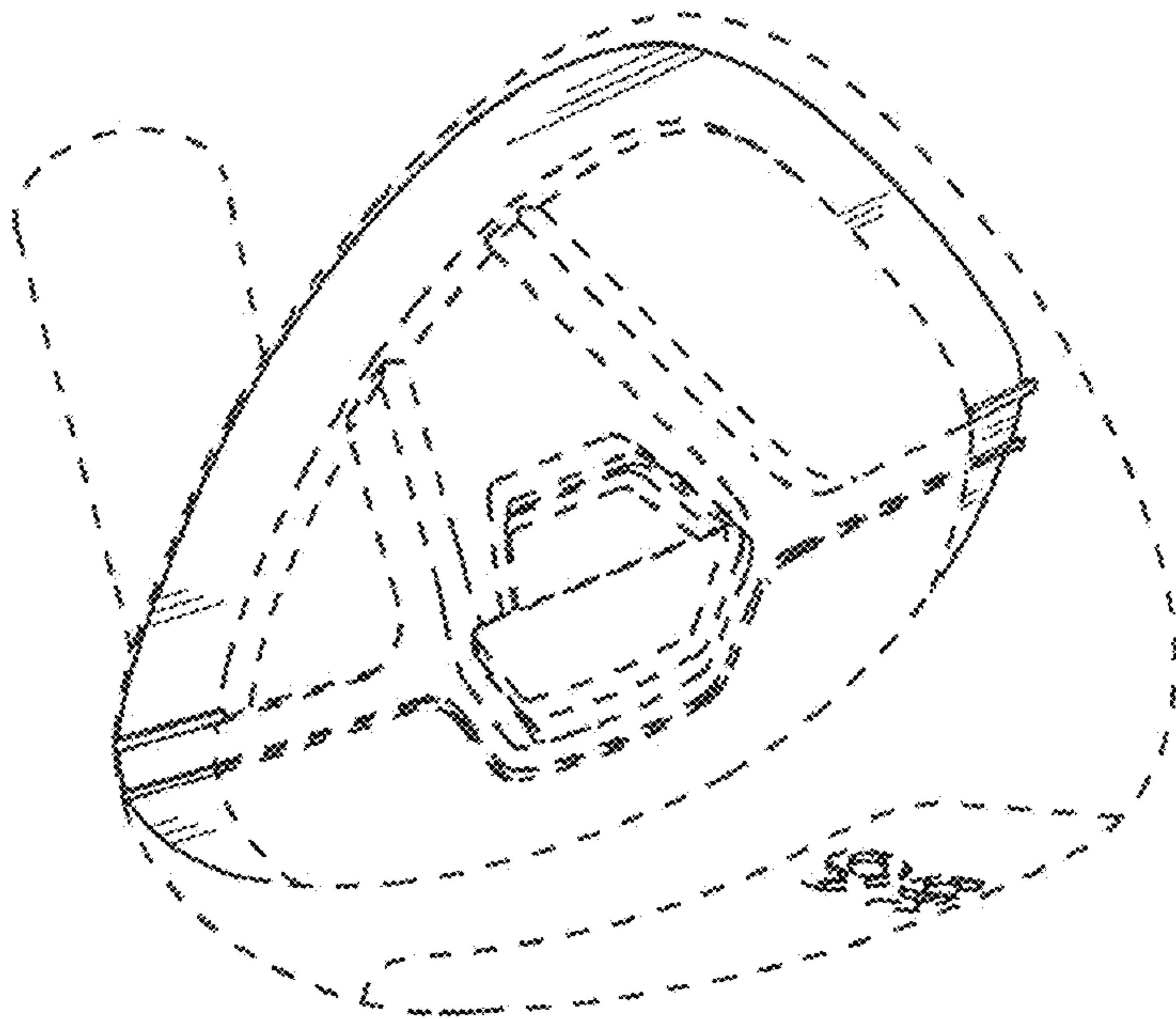
The broken lines illustrate environmental structure that form no part of the claimed design.

(56) **References Cited**

U.S. PATENT DOCUMENTS

D309,934 S *	8/1990	Lin	D21/748
5,160,136 A *	11/1992	Eger	473/291
D424,643 S *	5/2000	Stone et al.	D21/748
D511,360 S *	11/2005	Kawami	D21/747

1 Claim, 7 Drawing Sheets



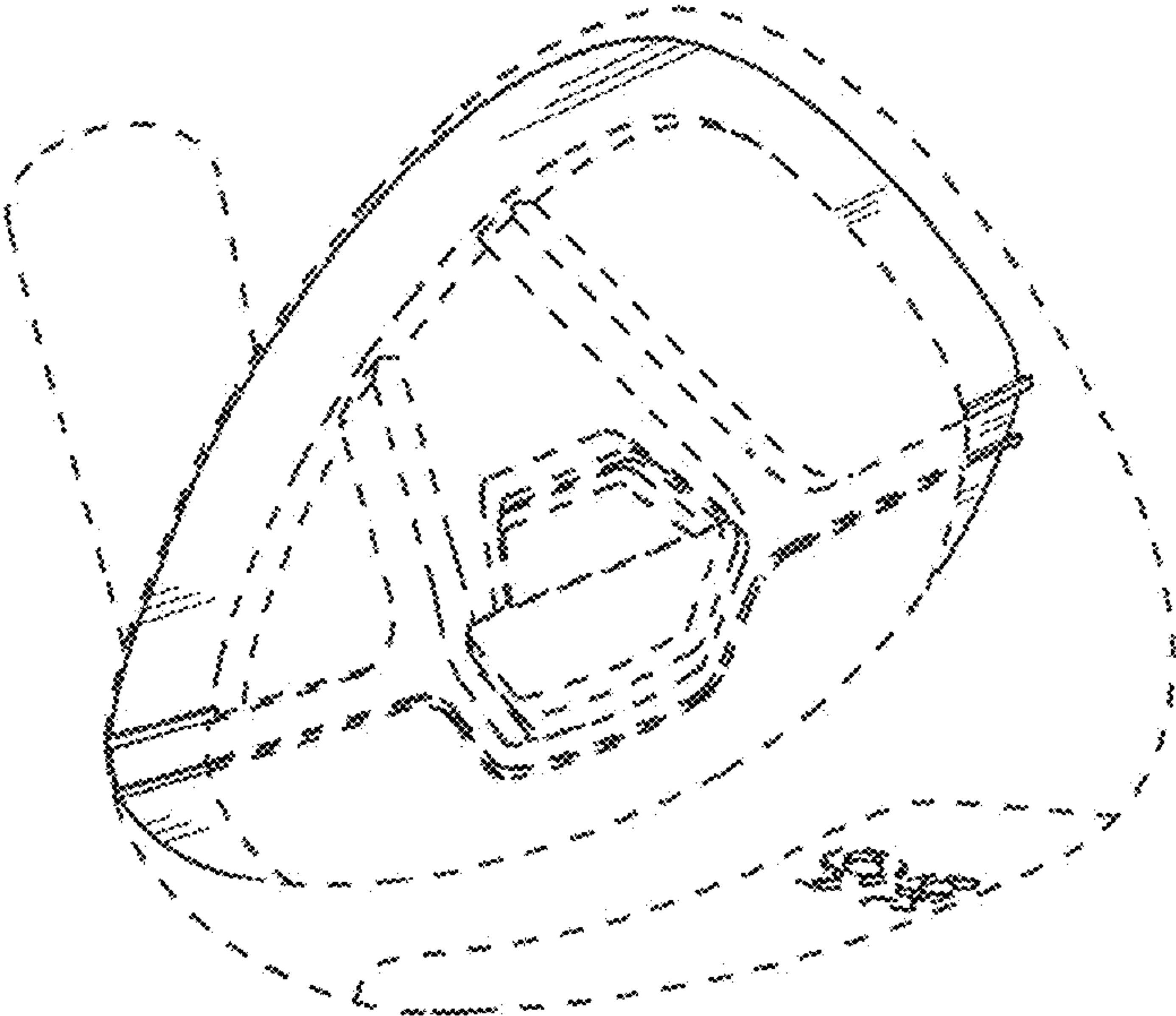


Fig. 1

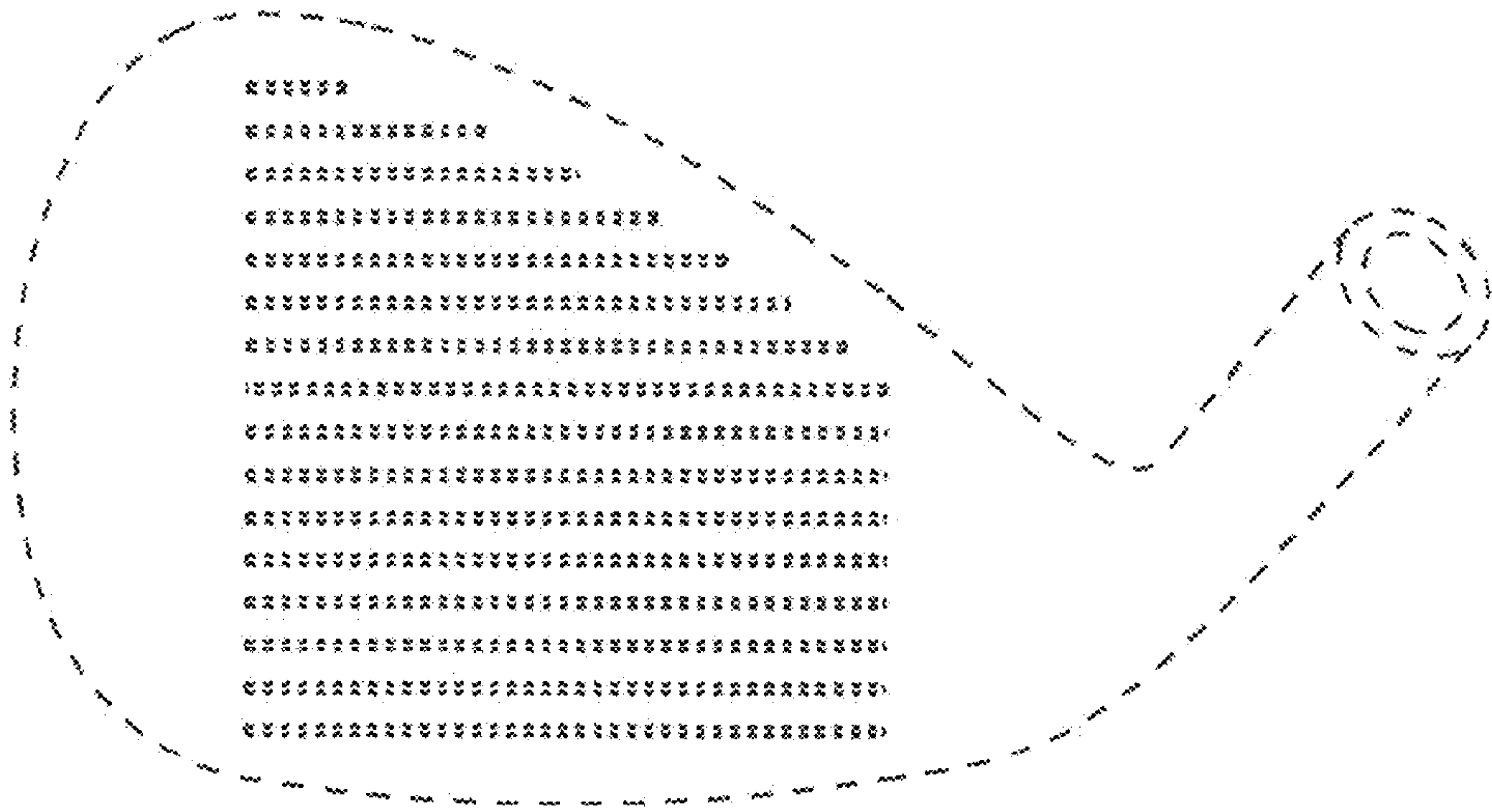


Fig. 2

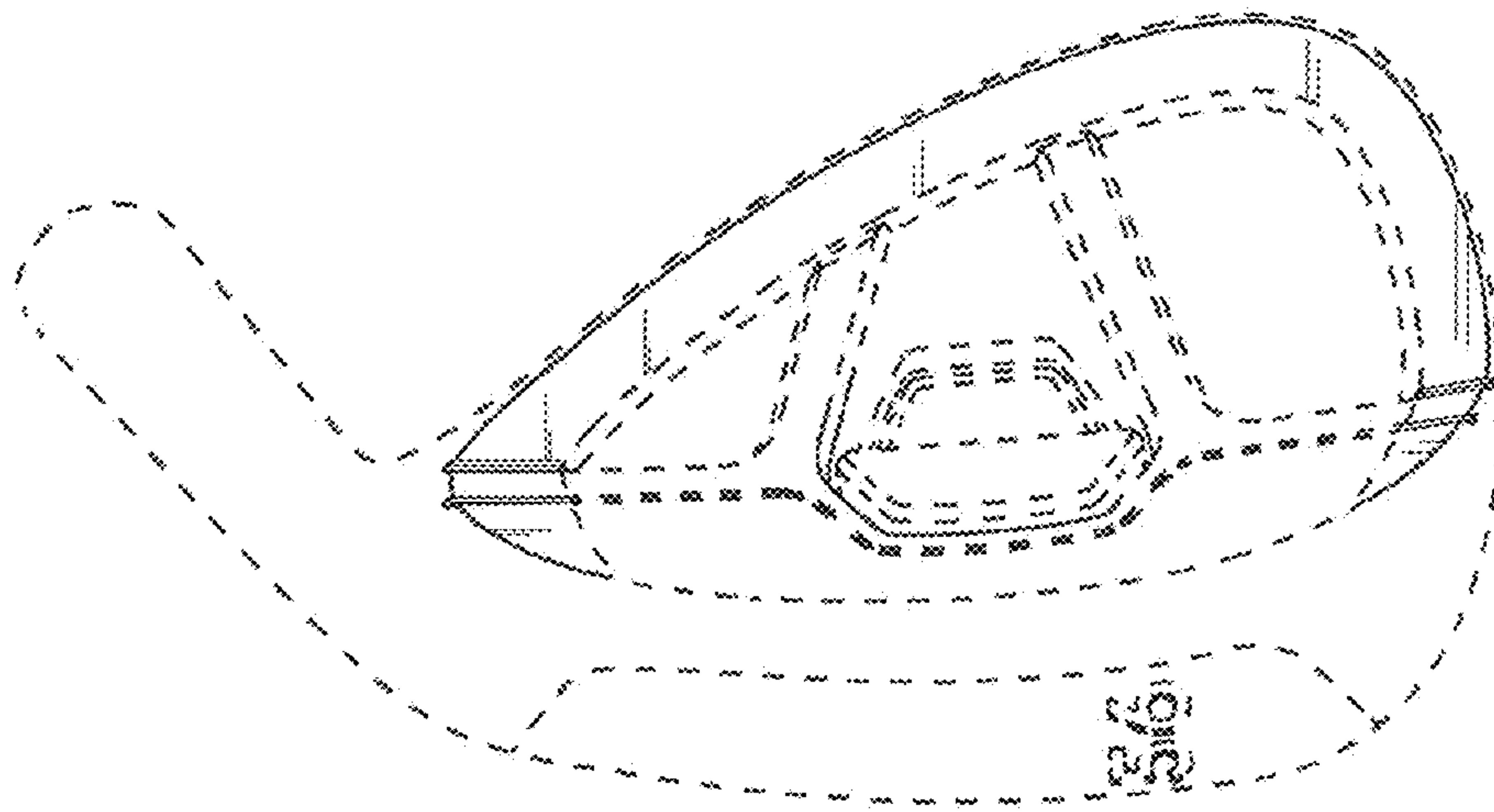


Fig. 3

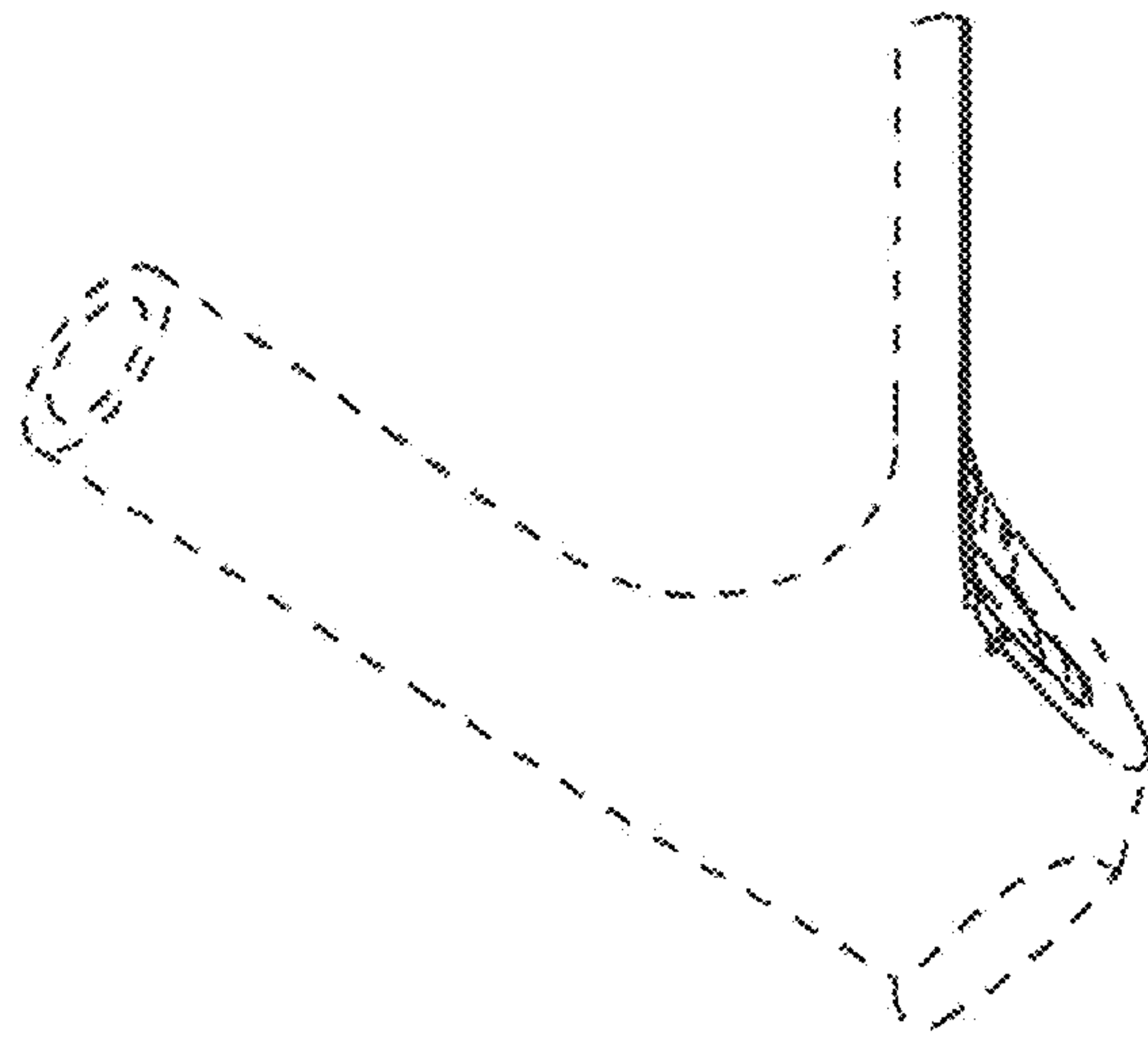


Fig. 4

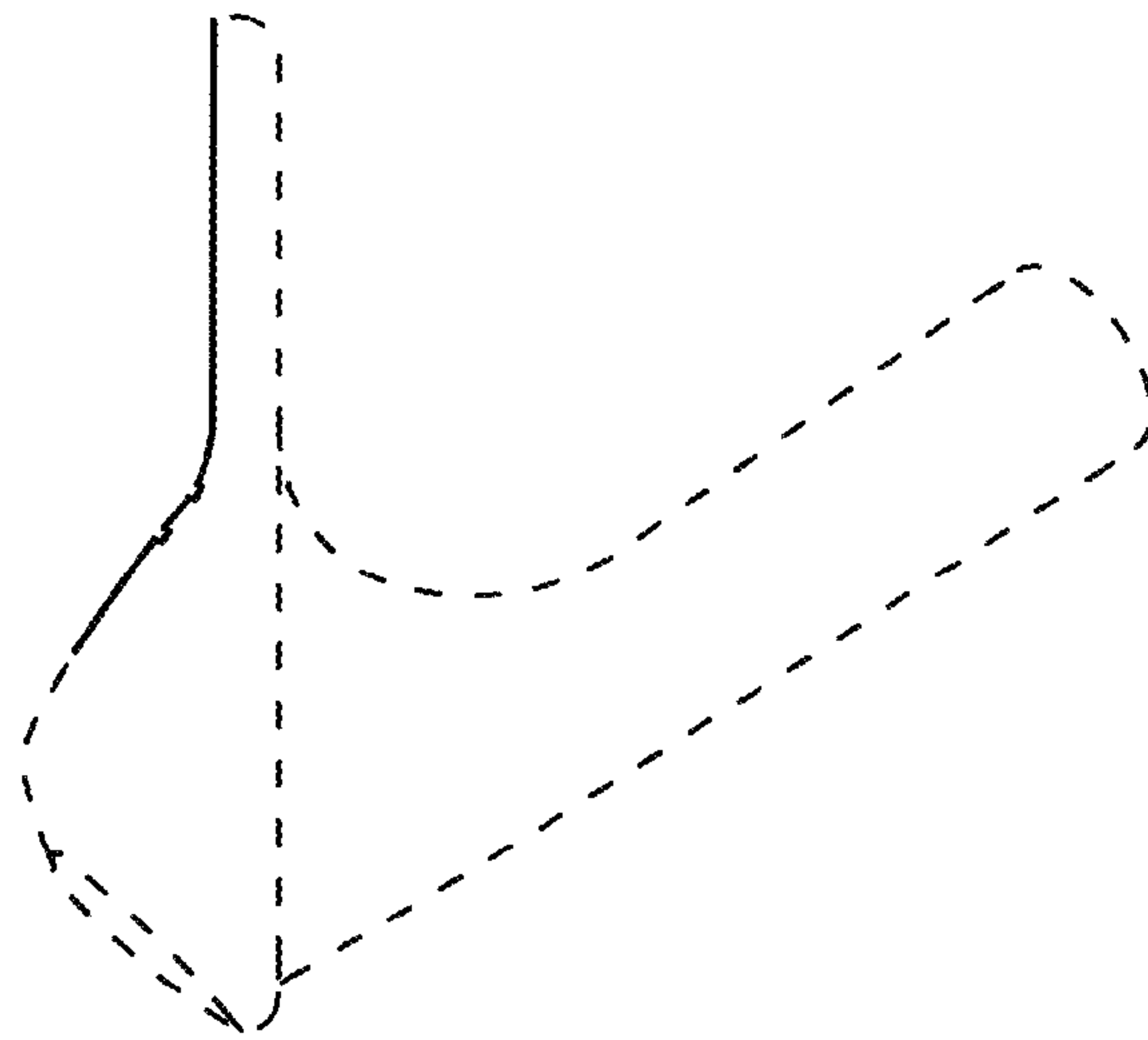


Fig. 5

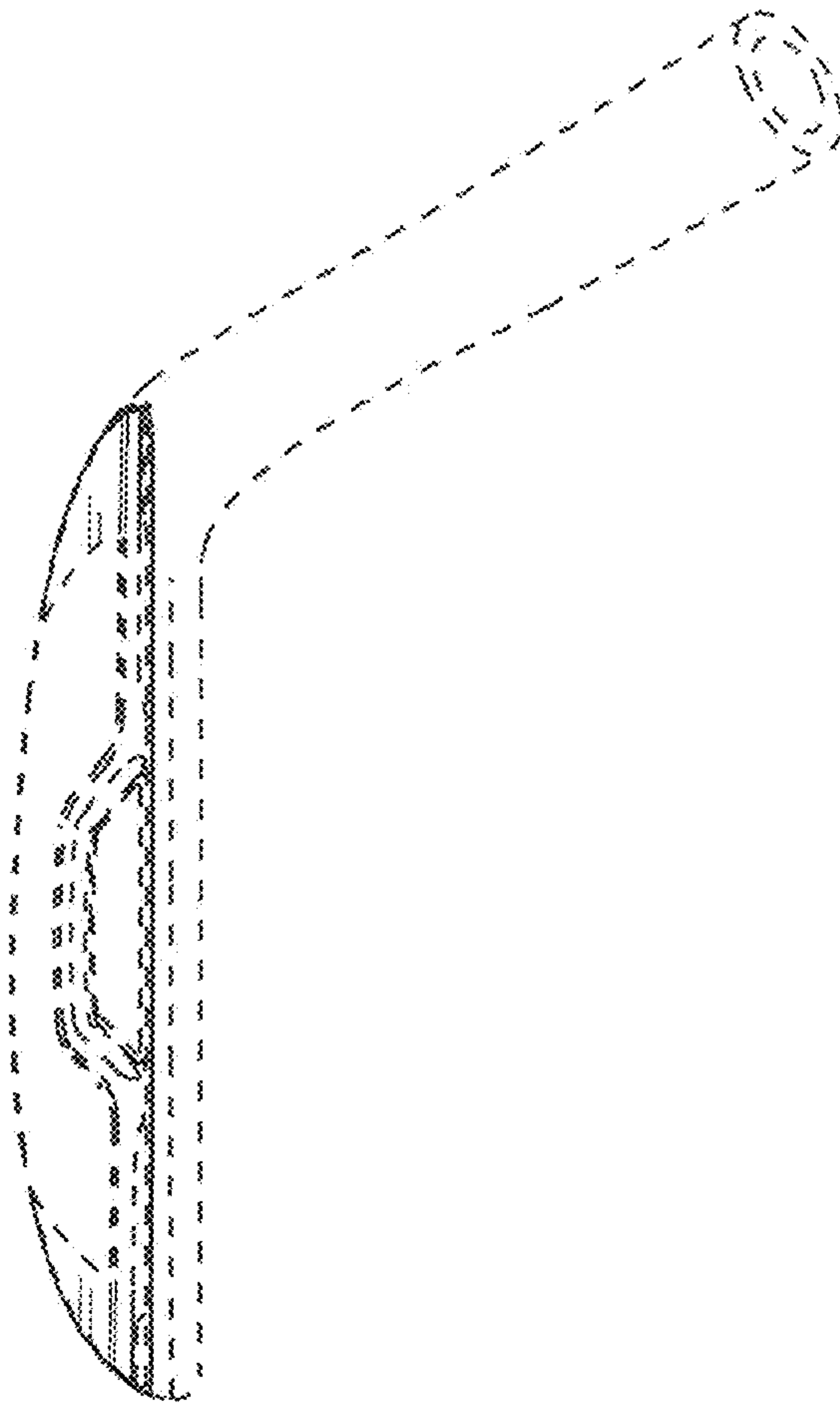


Fig. 6

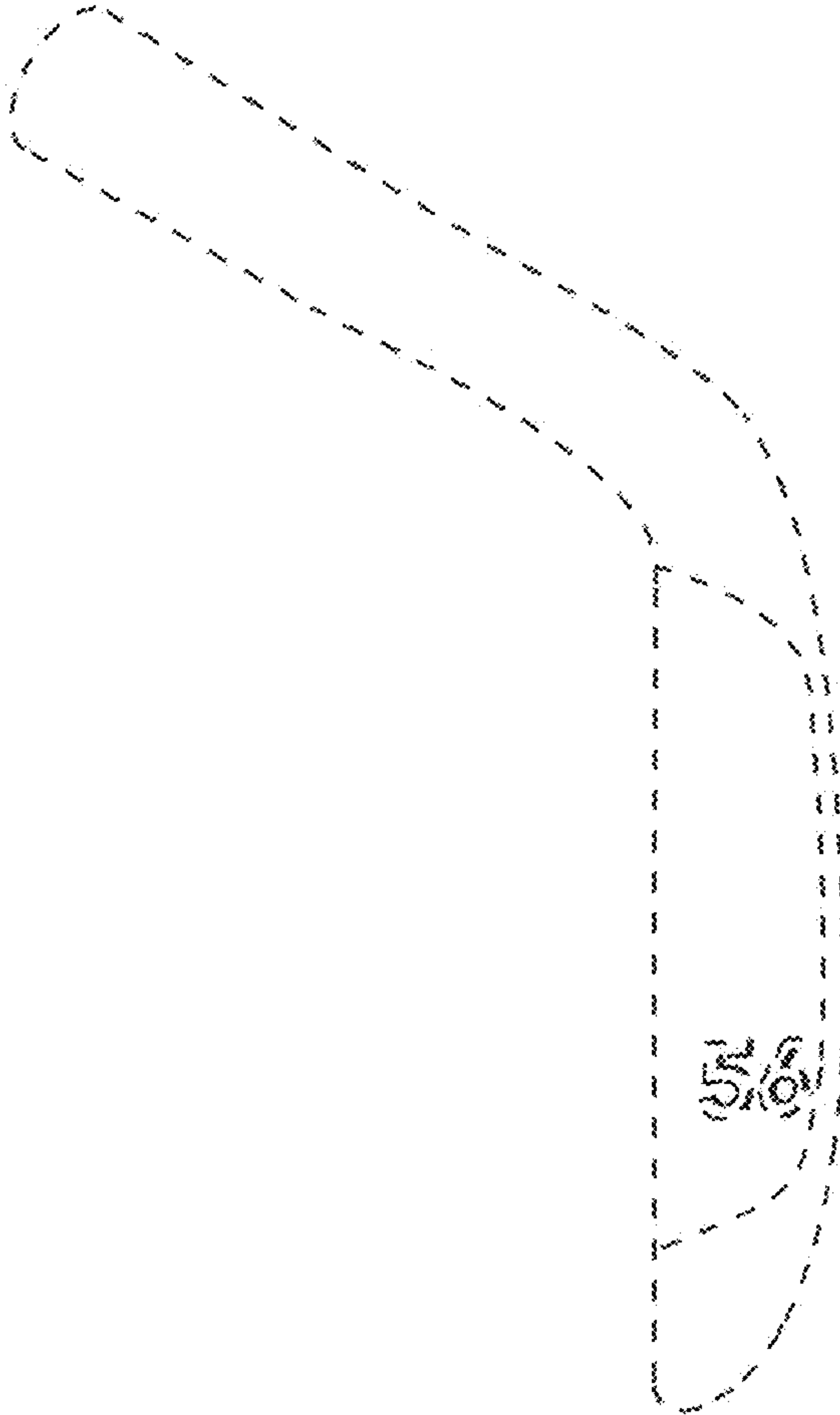


Fig. 7