



US00D735819S

(12) **United States Design Patent**
Louis

(10) **Patent No.:** **US D735,819 S**
(45) **Date of Patent:** **** Aug. 4, 2015**

- (54) **REBOUND TRAINING DEVICE**
- (71) Applicant: **John G Louis**, Northfield, IL (US)
- (72) Inventor: **John G Louis**, Northfield, IL (US)
- (**) Term: **14 Years**
- (21) Appl. No.: **29/462,670**
- (22) Filed: **Aug. 6, 2013**
- (51) **LOC (10) Cl.** **21-02**
- (52) **U.S. Cl.**
USPC **D21/686**
- (58) **Field of Classification Search**
USPC D21/662, 674, 676, 686, 687, 688, 689,
D21/694, 797; 482/27, 28, 29, 51, 70-72,
482/78, 96, 112, 121, 130-132, 135, 140,
482/142, 147, 79, 129, 143, 146, 148;
D6/347; 434/247; 472/104
CPC A63B 2208/0204; A63B 21/023;
A63B 21/0552; A63B 22/18; A63B 21/0442;
A63B 2022/0033; A63B 21/055; A63B
2210/50; A63B 21/04; A63B 22/0056; A63B
22/14; A63B 21/0557; A63B 2071/027;
A63B 21/00069
See application file for complete search history.

(56) **References Cited**
U.S. PATENT DOCUMENTS

3,047,294	A	7/1962	Maxwell	
4,477,070	A *	10/1984	Appelbaum	482/28
4,787,630	A	11/1988	Watson et al.	
4,836,530	A	6/1989	Stanley, Jr.	
4,861,023	A *	8/1989	Wedman	482/51
D304,850	S *	11/1989	Chambers	D21/797
5,499,949	A	3/1996	Heubl	
5,518,476	A *	5/1996	McLeon	482/79
5,599,262	A *	2/1997	Shih	482/147
5,674,157	A	10/1997	Wilkinson	
5,690,383	A	11/1997	Meeker	
5,788,606	A *	8/1998	Rich	482/27
5,816,983	A *	10/1998	Dawes et al.	482/78
5,876,311	A	3/1999	Coates et al.	

5,888,182	A *	3/1999	Shih	482/147
6,176,817	B1 *	1/2001	Carey et al.	482/146
6,416,447	B1 *	7/2002	Harmon	482/129
6,500,097	B1 *	12/2002	Hall	482/54
6,599,198	B2	7/2003	Ettenhofer	
D482,748	S *	11/2003	Flynt	D21/692
6,942,487	B2 *	9/2005	Corbalis	434/247
7,094,181	B2	8/2006	Hall	
7,645,221	B1 *	1/2010	Curry	482/148
7,666,126	B2 *	2/2010	Rempe	482/143
D694,349	S *	11/2013	Chen	D21/688
8,814,766	B2 *	8/2014	Scimone	482/129
2004/0229738	A1 *	11/2004	Hobson	482/148

(Continued)

Primary Examiner — George D Kirschbaum

Assistant Examiner — Jennifer Watkins

(74) *Attorney, Agent, or Firm* — John C. Shepard

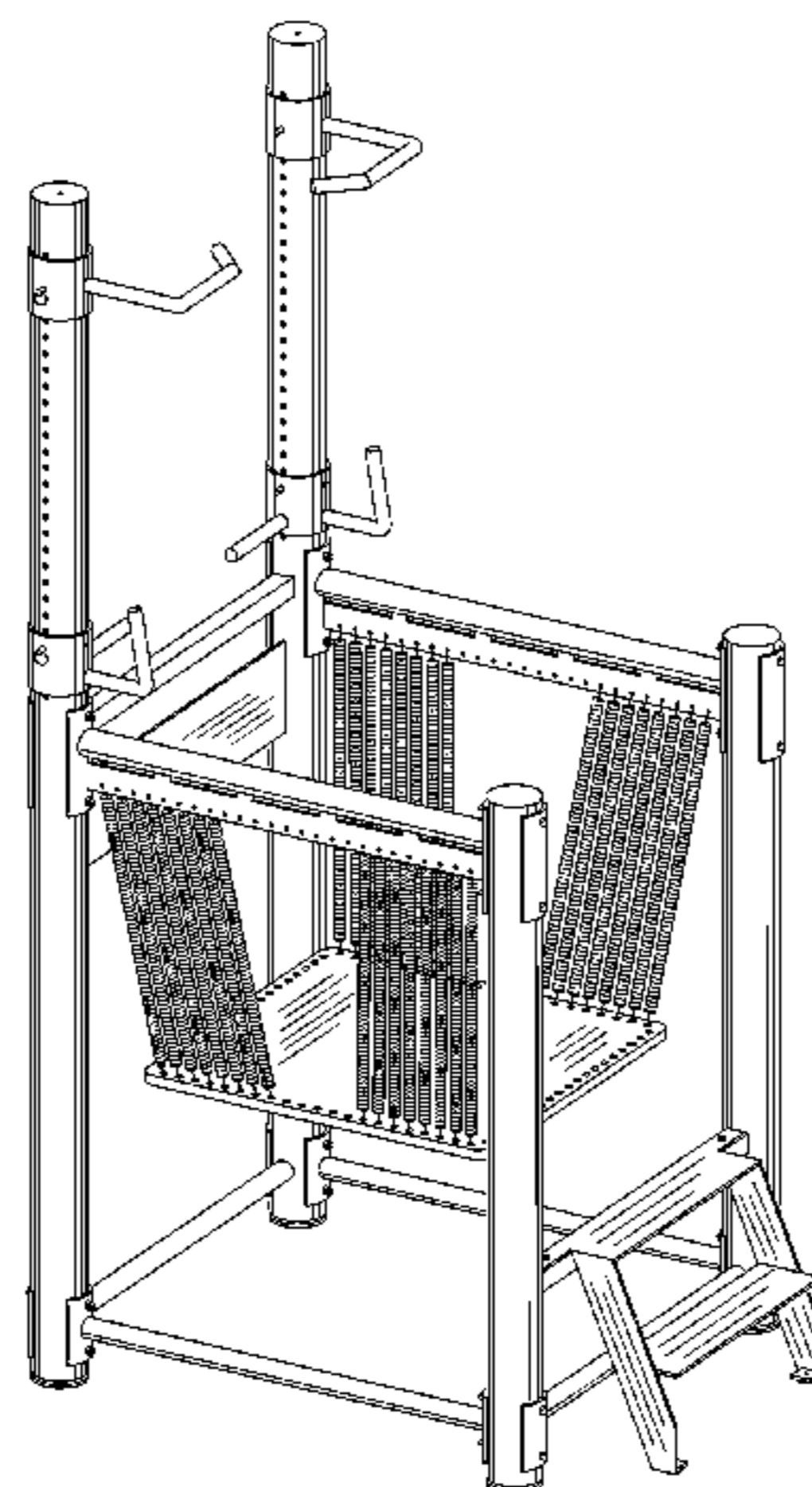
(57) **CLAIM**

The ornamental design for a rebound training device, as shown and described.

DESCRIPTION

FIG. 1 is a top, back, right side perspective view of a rebound training device showing my new design;
 FIG. 2 is a front elevational view of the rebound training device shown in FIG. 1;
 FIG. 3 is a right side elevational view of the rebound training device shown in FIG. 1;
 FIG. 4 is a back elevational view of the rebound training device shown in FIG. 1;
 FIG. 5 is a left side elevational view of the rebound training device shown in FIG. 1;
 FIG. 6 is a top plan view of the rebound training device shown in FIG. 1;
 FIG. 7 is a bottom plan view of the rebound training device shown in FIG. 1; and,
 FIG. 8 is a top, back, right side perspective view of the rebound training device shown in FIG. 1 with the hand holds repositioned and a portion of the spring elements removed to illustrate a position of use.

1 Claim, 8 Drawing Sheets



(56)

References Cited

U.S. PATENT DOCUMENTS

2005/0043142 A1 2/2005 Rieber
2008/0076638 A1 3/2008 Publicover

2009/0318267 A1* 12/2009 Park et al. 482/8
2013/0316885 A1* 11/2013 Harwin 482/142
2014/0018218 A1* 1/2014 Chen 482/146
2014/0179492 A1* 6/2014 Wilkins 482/27

* cited by examiner

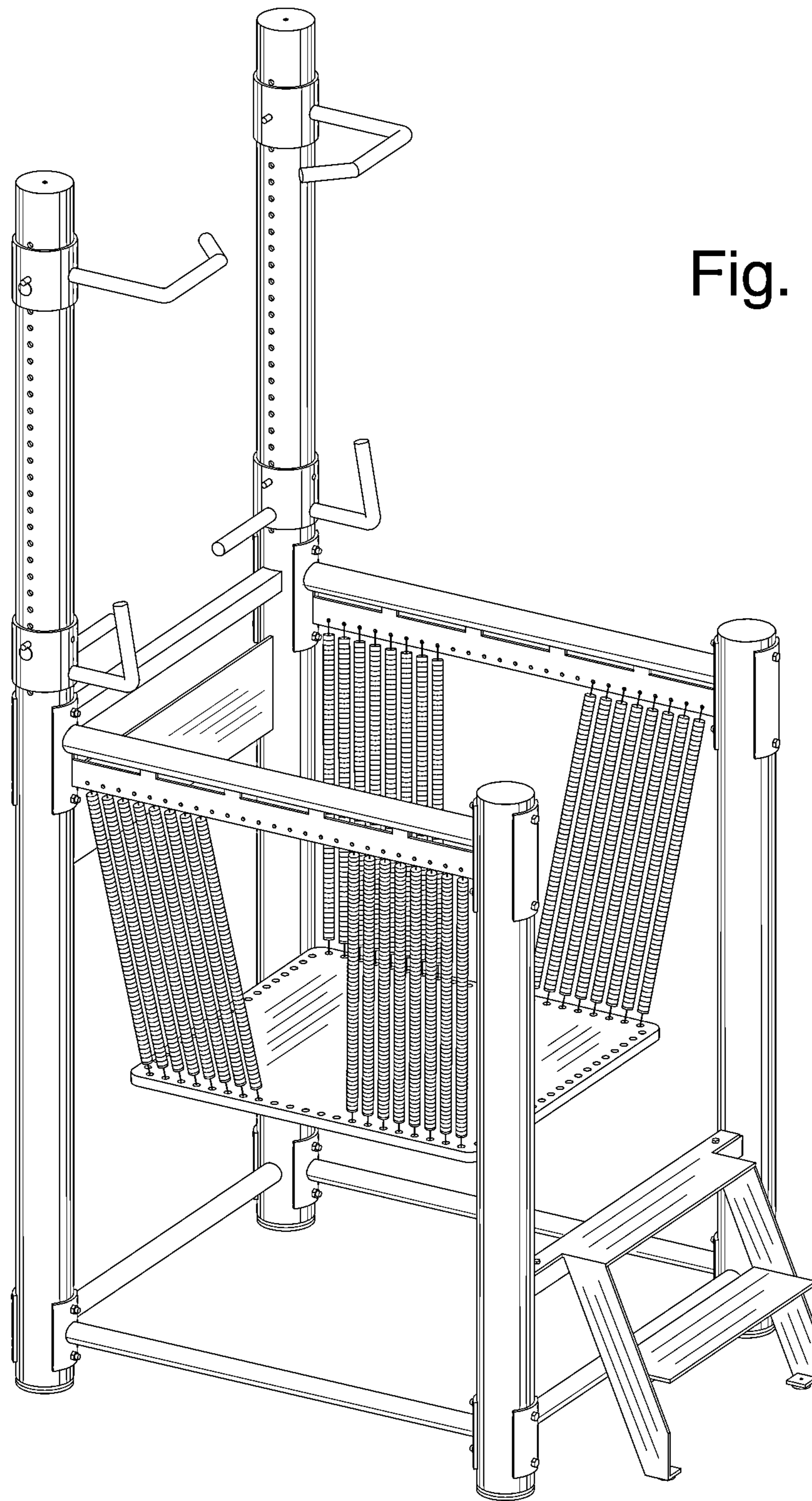


Fig. 1

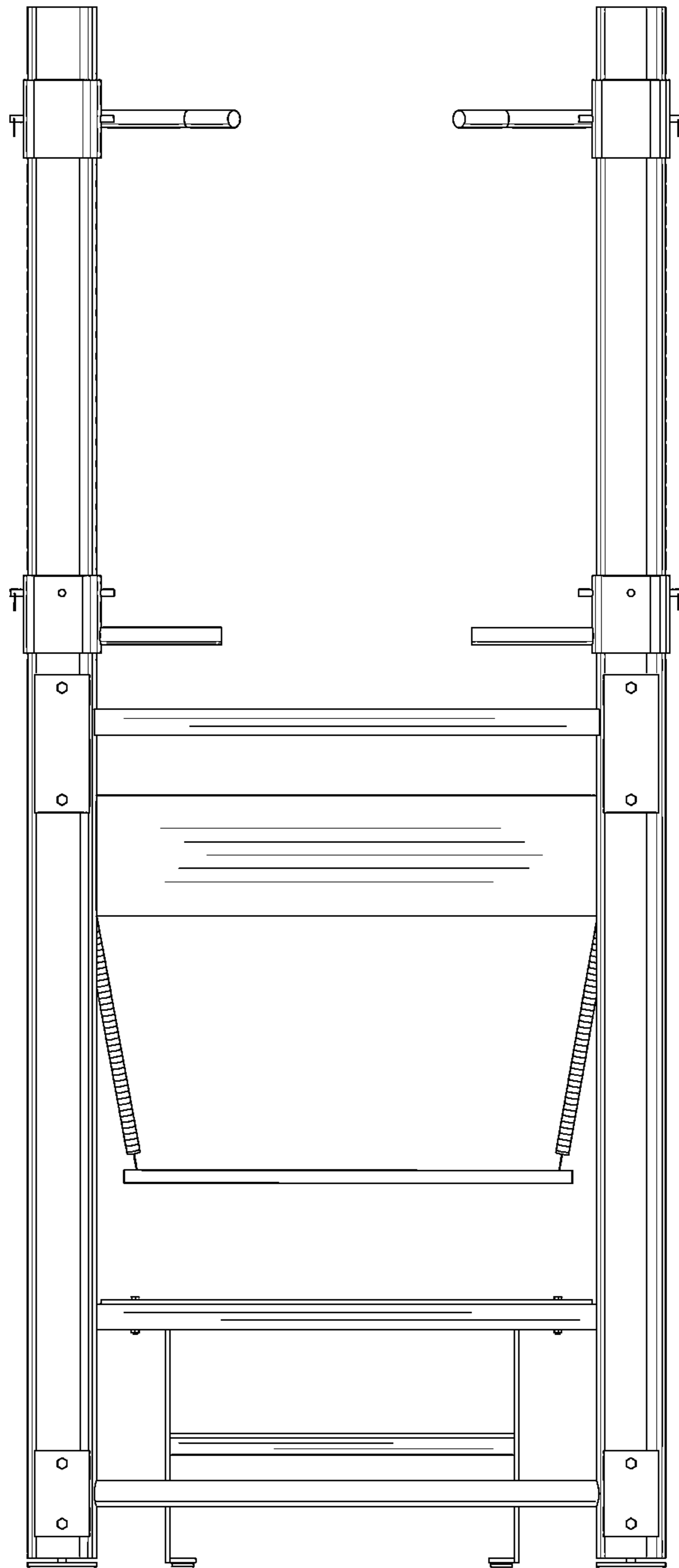
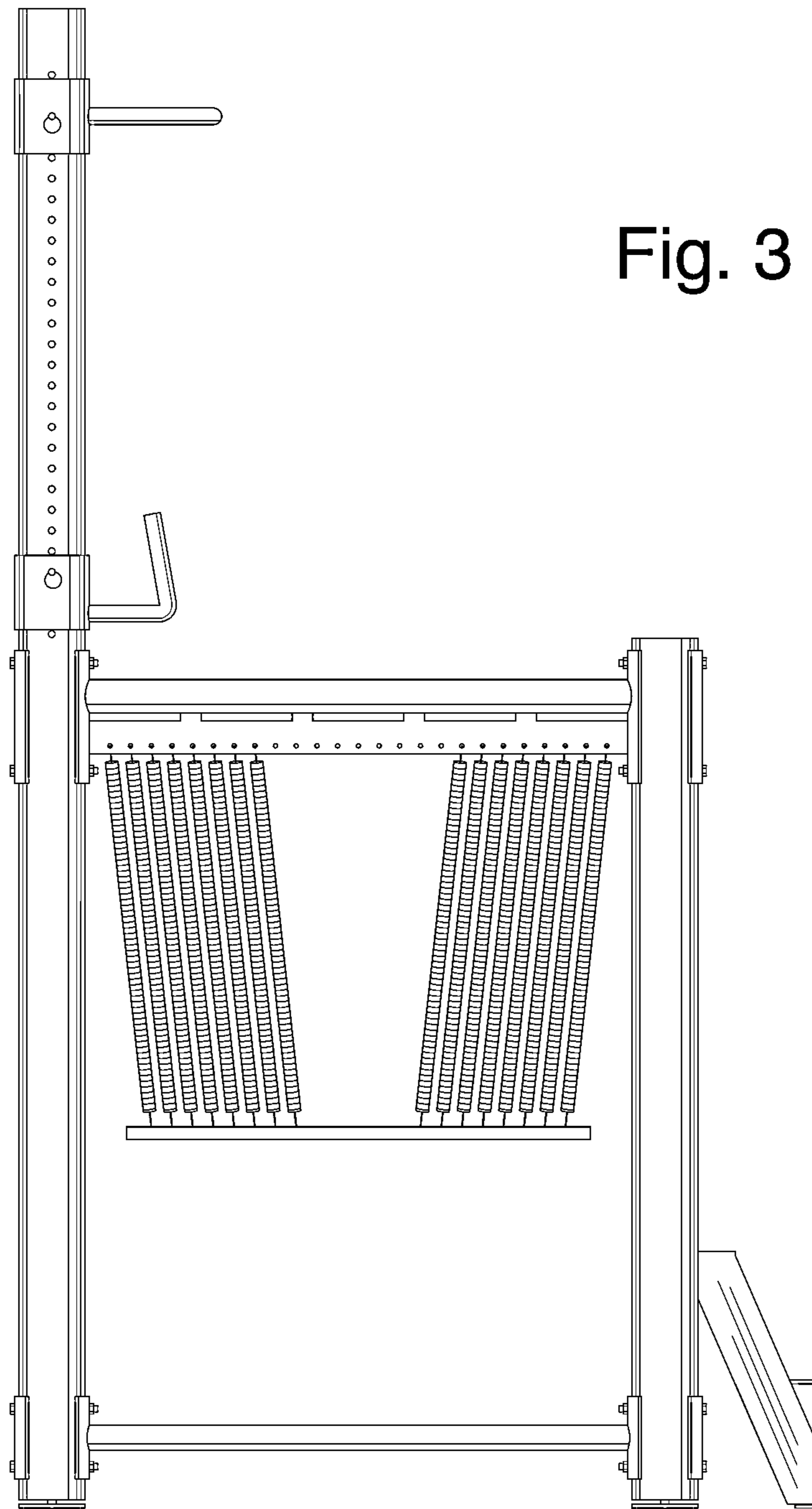


Fig. 2



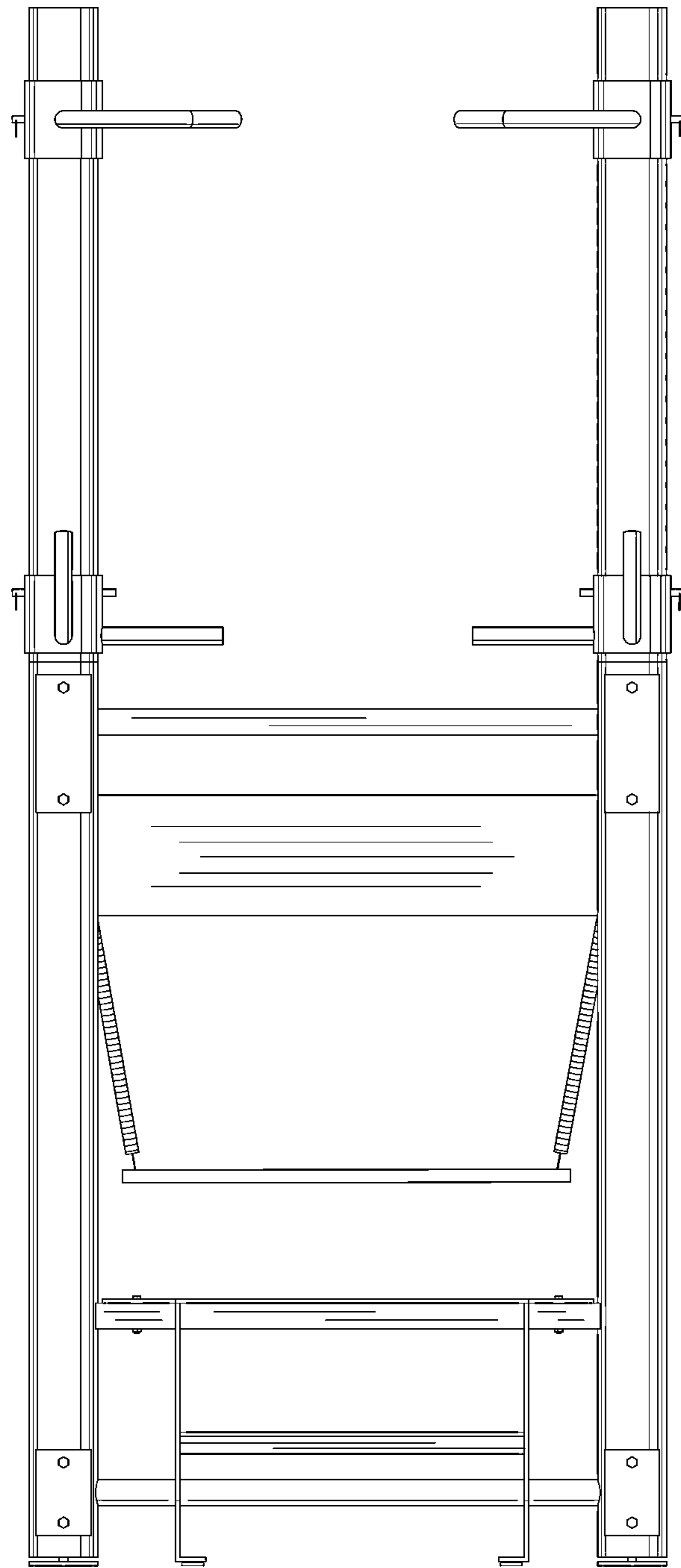
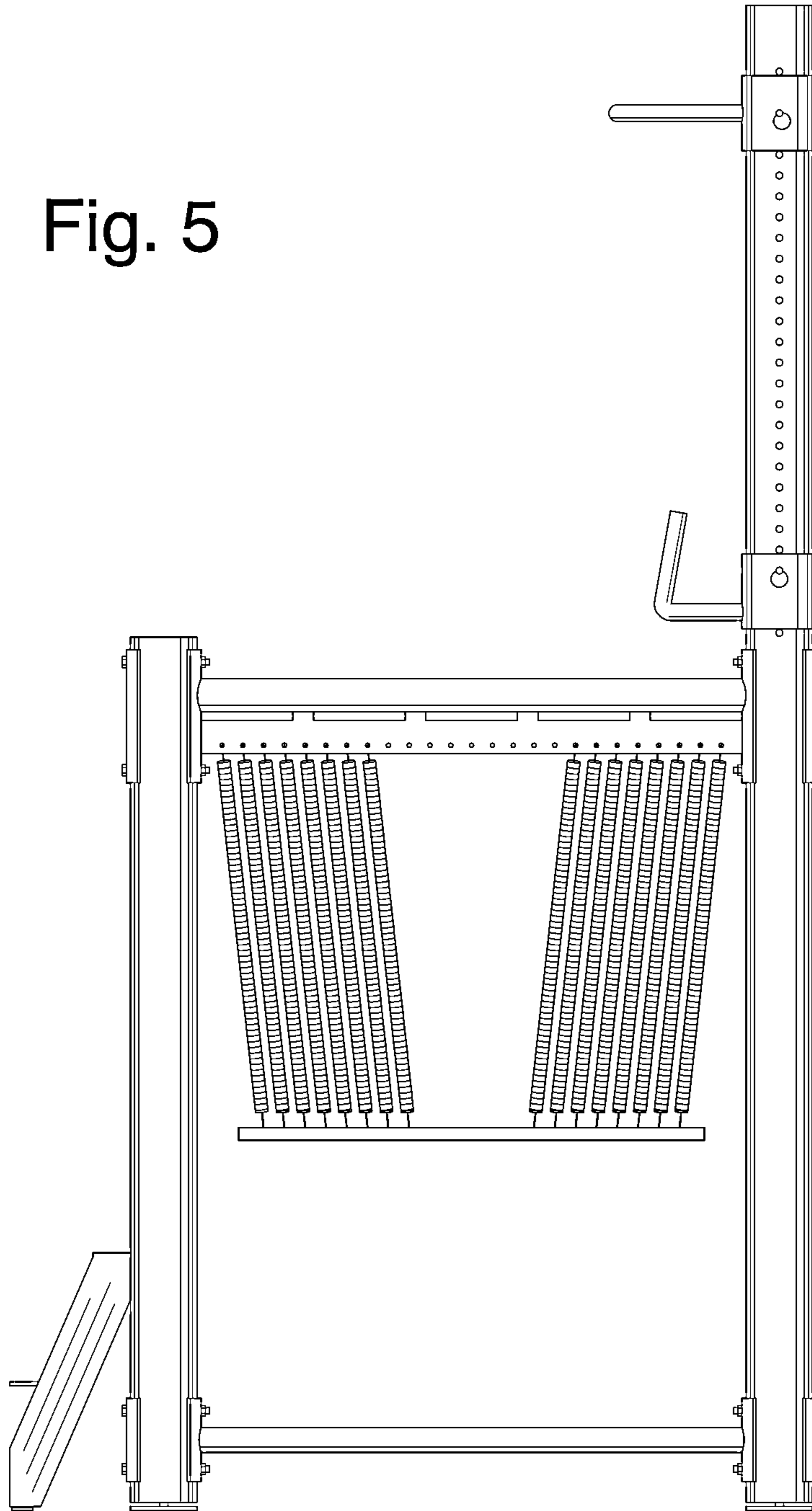


Fig. 4

Fig. 5



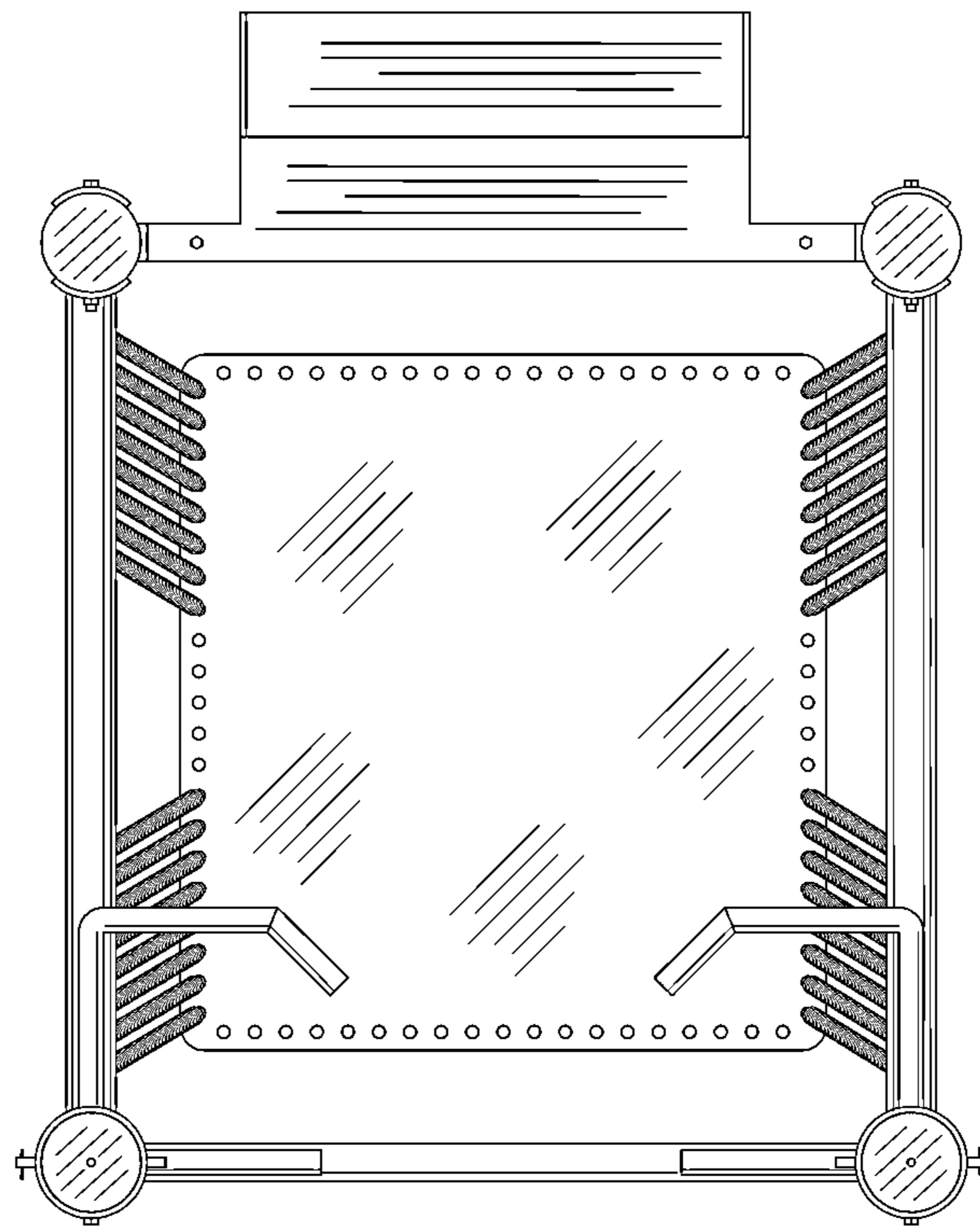


Fig. 6

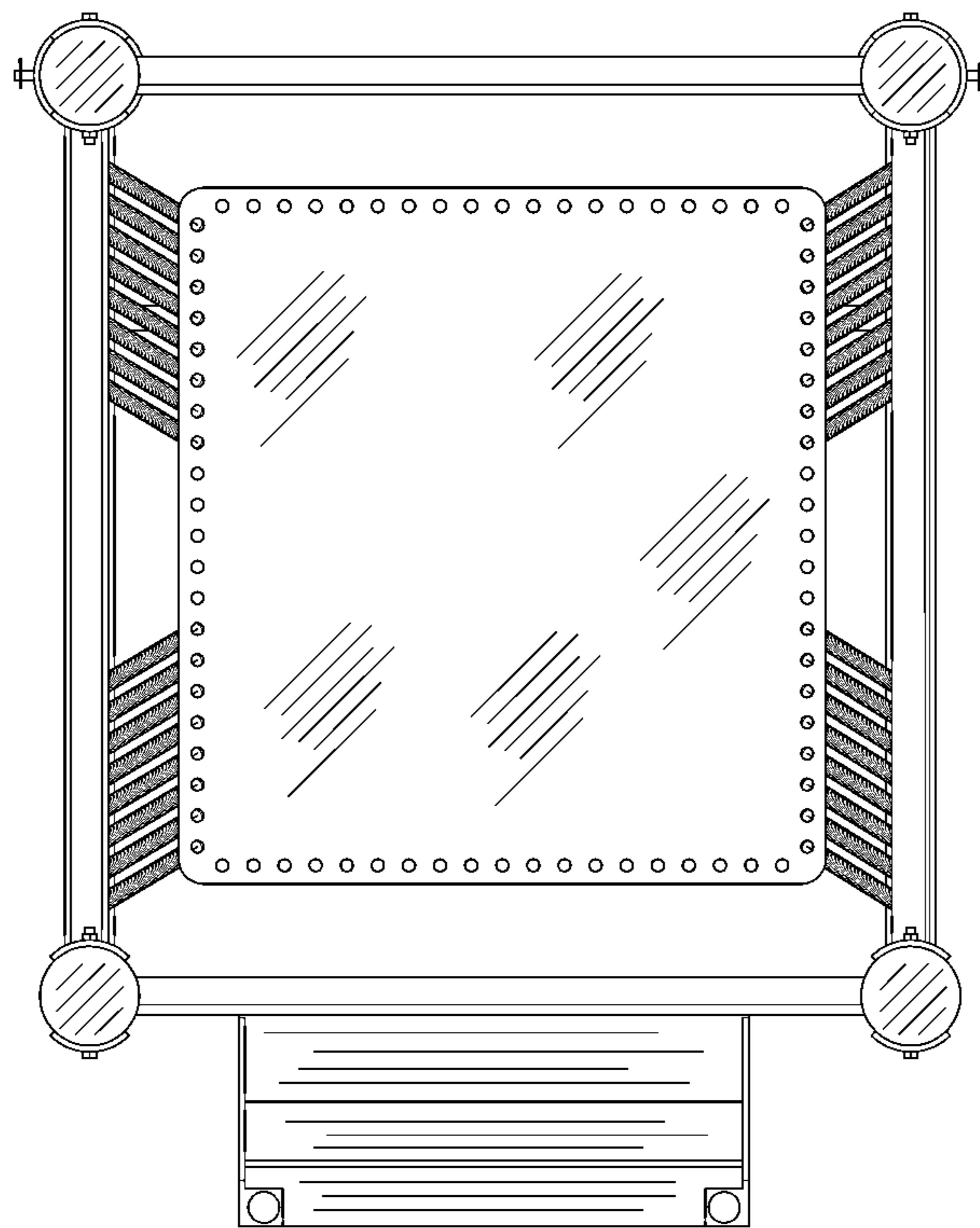


Fig. 7

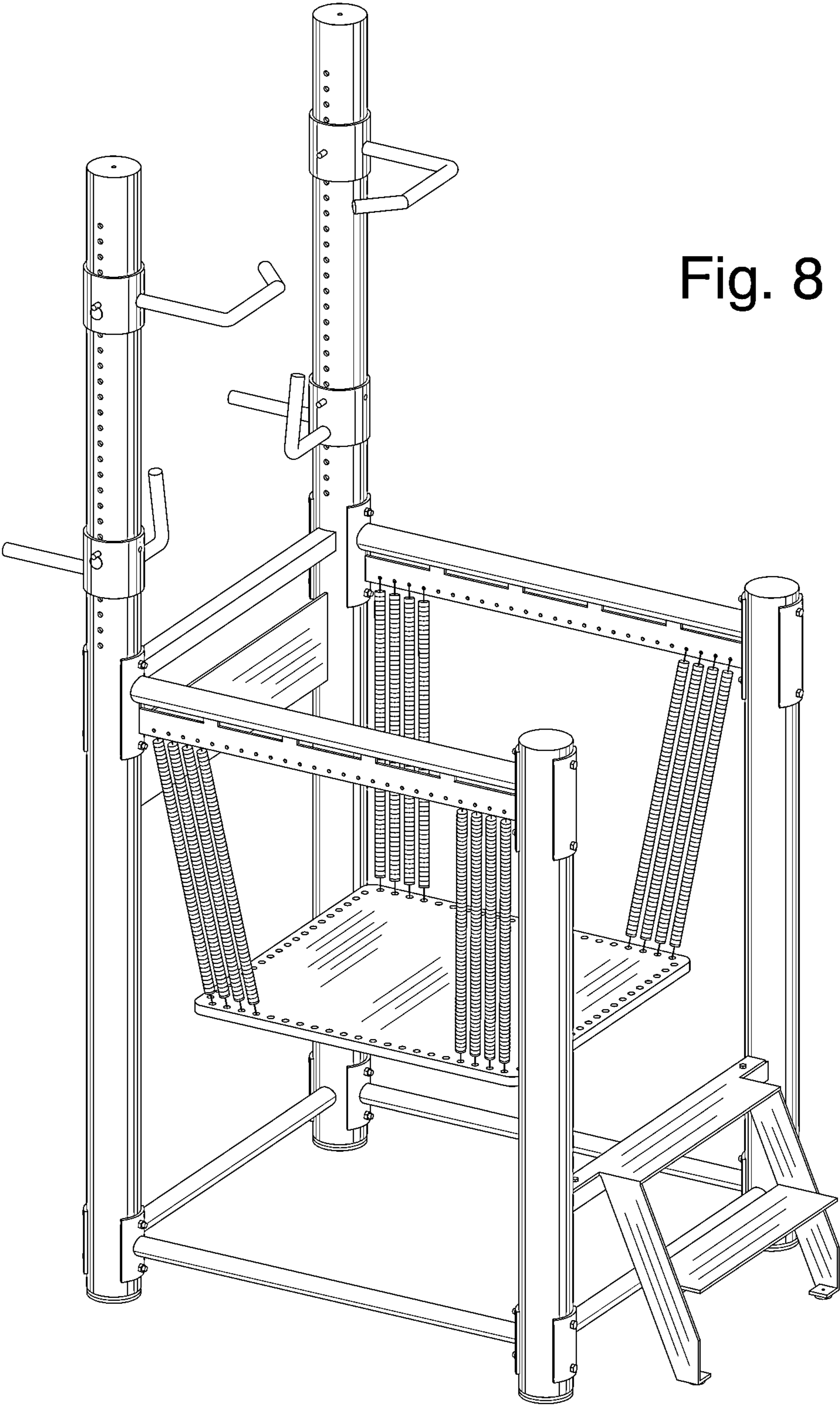


Fig. 8