

US00D735815S

(12) **United States Design Patent**
Shyutten et al.

(10) **Patent No.:** **US D735,815 S**

(45) **Date of Patent:** **** Aug. 4, 2015**

- (54) **AMUSEMENT PROJECTILE TOY**
- (71) Applicants: **Vladislav Shyutten**, Southport (AU);
Xin Yu, Southport (AU)
- (72) Inventors: **Vladislav Shyutten**, Southport (AU);
Xin Yu, Southport (AU)

D377,058 S *	12/1996	Henley	D21/593
D386,220 S *	11/1997	Schossow	D21/443
D550,781 S *	9/2007	Laurienzo et al.	D21/454
D554,201 S *	10/2007	Vetuskey et al.	D21/454
D618,734 S *	6/2010	Zealer	D21/441
7,748,368 B2 *	7/2010	Forti	124/17
8,661,983 B1 *	3/2014	Scarr	102/503

* cited by examiner

- (**) Term: **14 Years**
- (21) Appl. No.: **29/453,473**
- (22) Filed: **Apr. 30, 2013**

Primary Examiner — Cynthia M Chin
(74) *Attorney, Agent, or Firm* — Ladas & Parry LLP

(30) **Foreign Application Priority Data**

Oct. 31, 2012 (AU) 2012/15416

- (51) **LOC (10) Cl.** **21-01**
- (52) **U.S. Cl.**
USPC **D21/570**
- (58) **Field of Classification Search**
USPC D21/301, 310, 436, 441, 443, 455, 458,
D21/570; 124/16, 17, 63, 65, 81, 83;
446/34, 39, 61, 65, 255, 473, 475
See application file for complete search history.

(57) **CLAIM**

The ornamental design for an amusement projectile toy, as shown and described.

DESCRIPTION

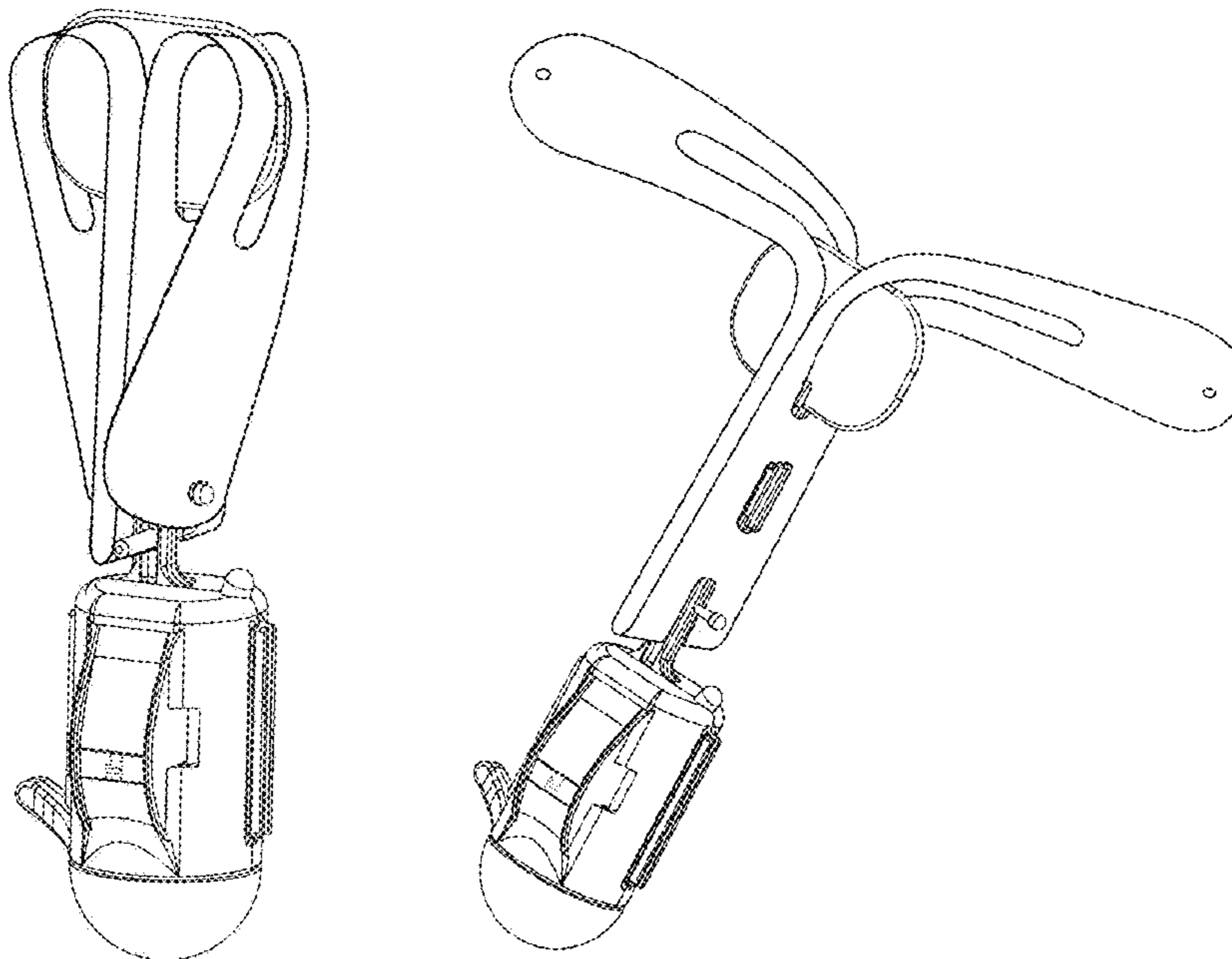
FIG. 1 is a side perspective view of an amusement projectile toy showing our new design;
 FIG. 2 is an opposite side perspective view thereof;
 FIG. 3 is a side view thereof;
 FIG. 4 is an opposite side thereof;
 FIG. 5 is another side view thereof, rotated 90 degree along the vertical axes;
 FIG. 6 is an opposite side view thereof, rotated 180 degrees from the view presented on FIG. 5 along the vertical axes;
 FIG. 7 is an enlarged bottom view thereof;
 FIG. 8 is an enlarged top view thereof; and,
 FIG. 9 is a perspective view of the amusement projectile toy in an alternative position.
 The broken lines in FIG. 1, FIG. 6 and FIG. 9 represent portions of the amusement projectile toy that form no part of the claimed design.

(56) **References Cited**

U.S. PATENT DOCUMENTS

1,573,527 A *	2/1926	Simonek	446/41
2,938,300 A *	5/1960	Newbert et al.	446/41
D212,699 S *	11/1968	Turner	D21/441
D213,708 S *	4/1969	Blumenthal	D21/441
D216,319 S *	12/1969	Cohen	D21/441
D220,820 S *	5/1971	Seefluth	D21/441
D276,829 S *	12/1984	Bernatek	D21/441
D364,898 S *	12/1995	Davidson	D21/441

1 Claim, 9 Drawing Sheets



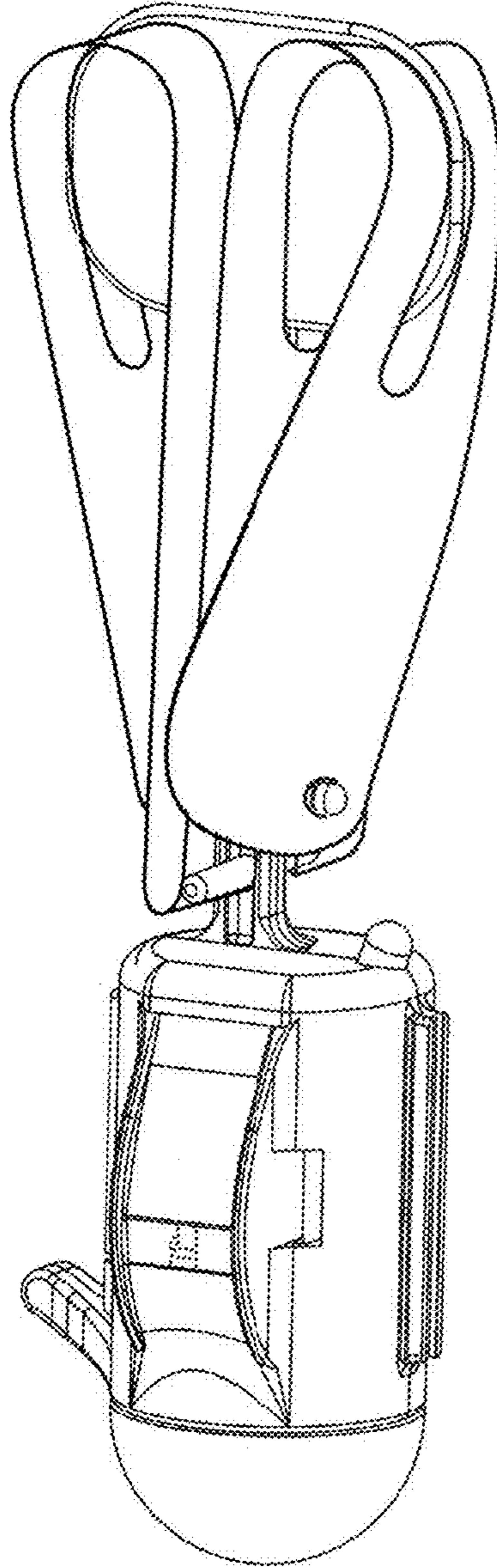


FIG. 1

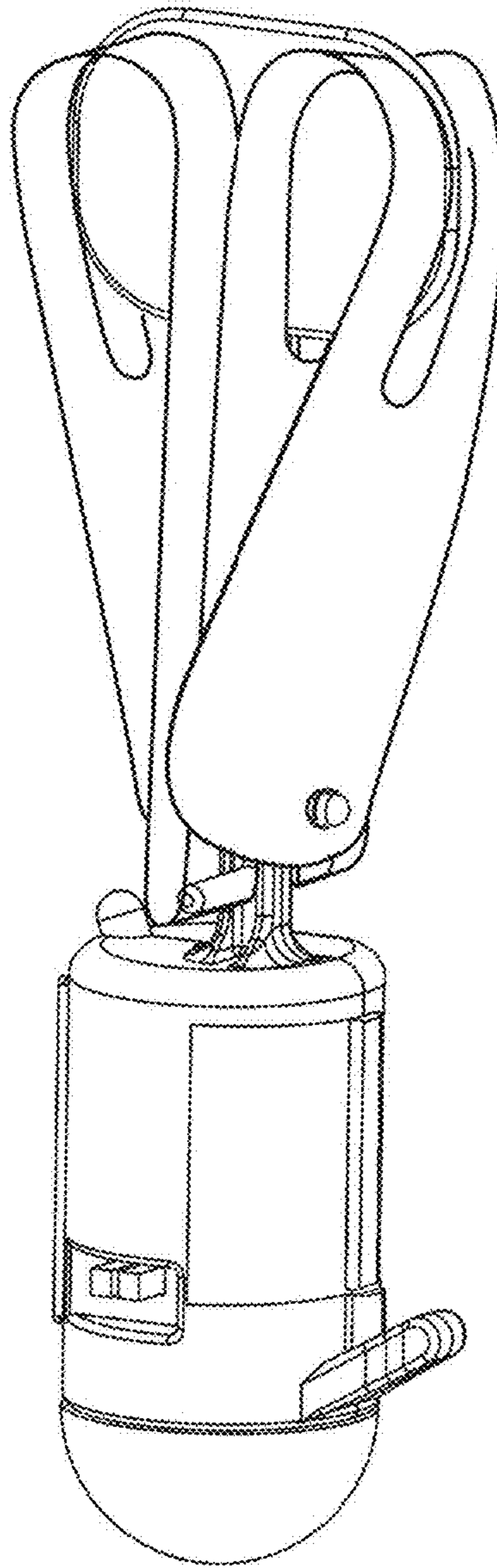


FIG. 2

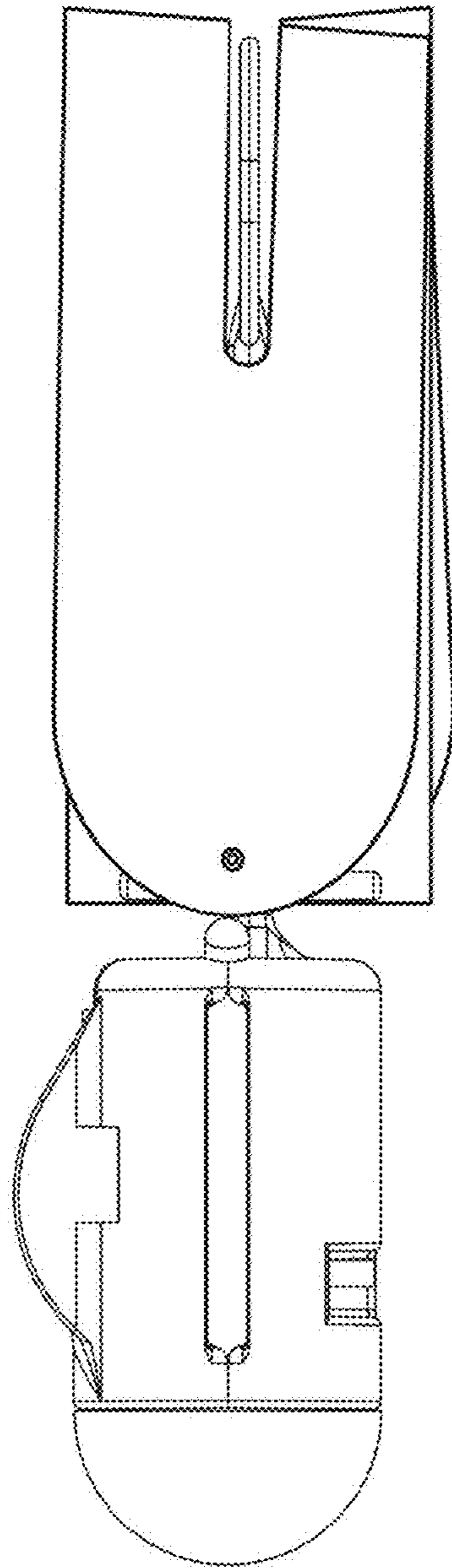


FIG. 3

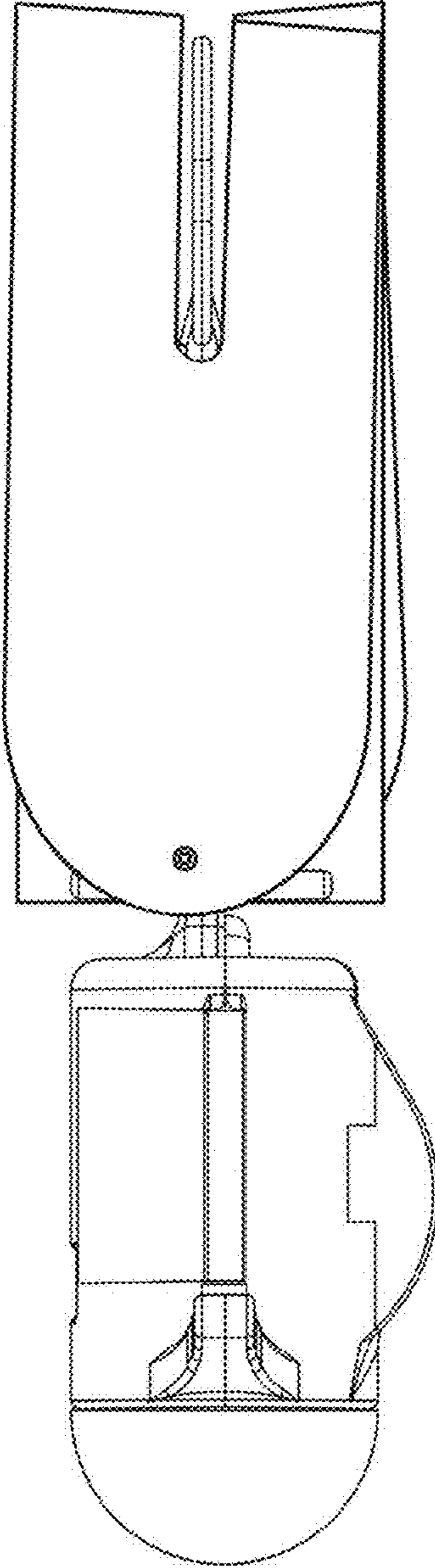


FIG. 4

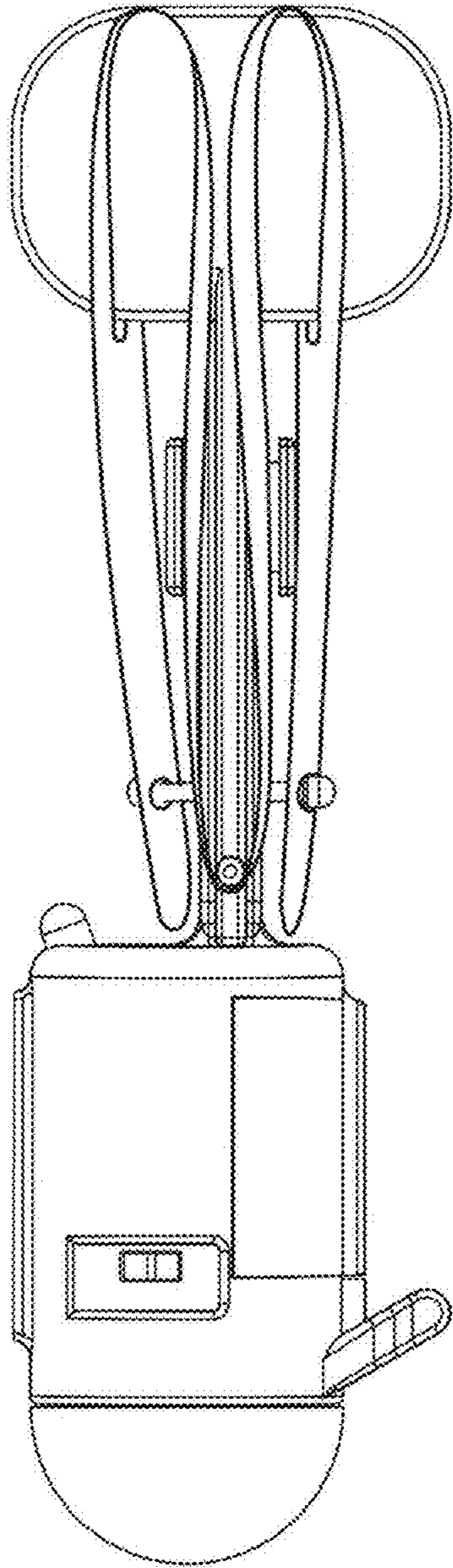


FIG. 5

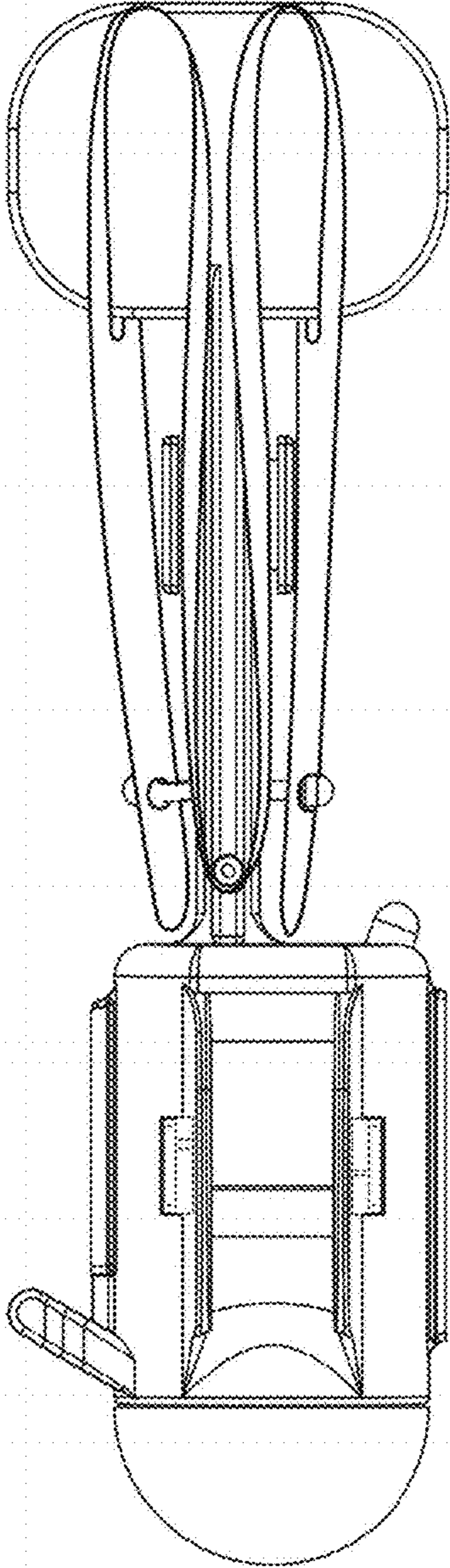


FIG. 6

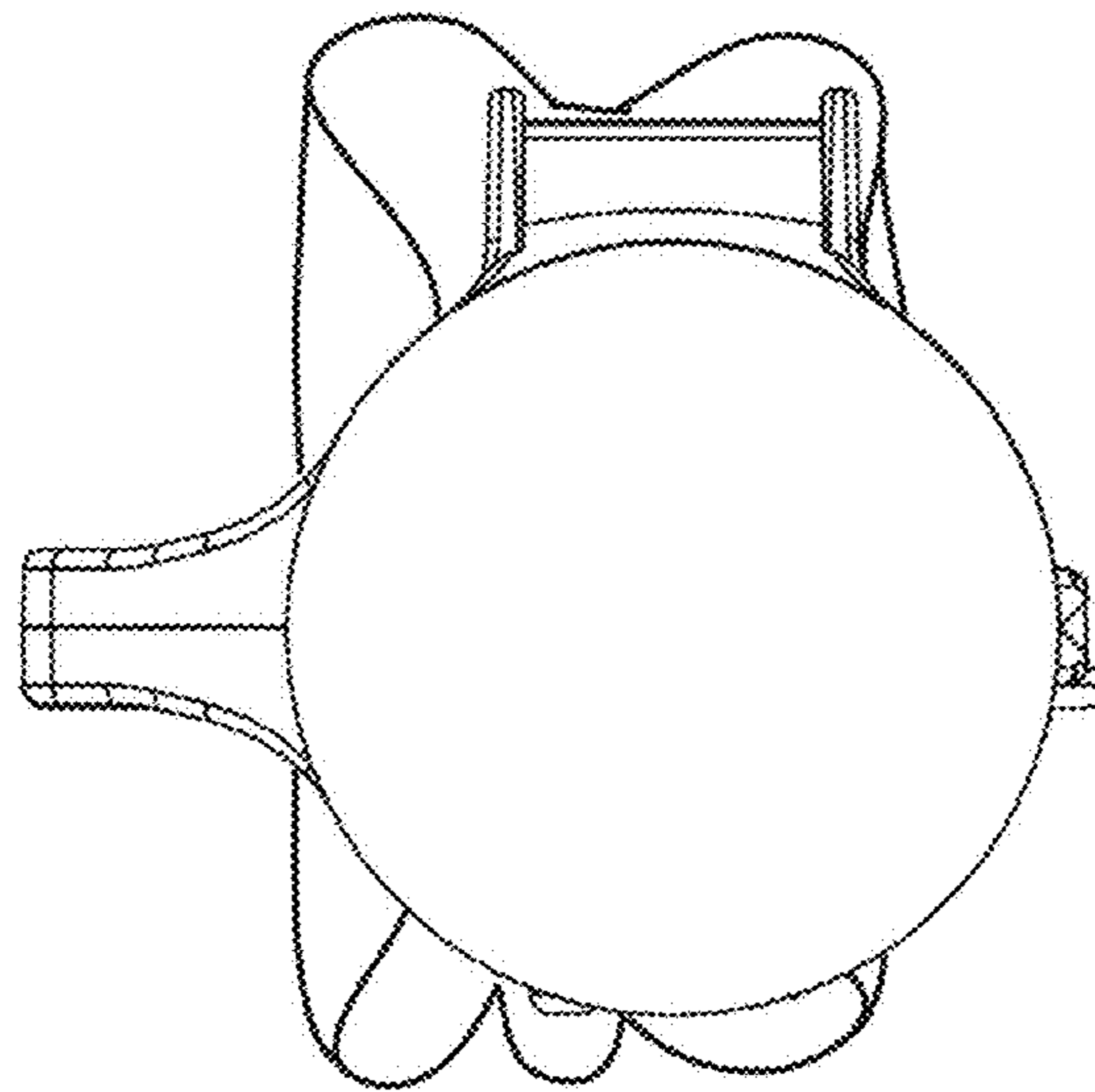


FIG. 7

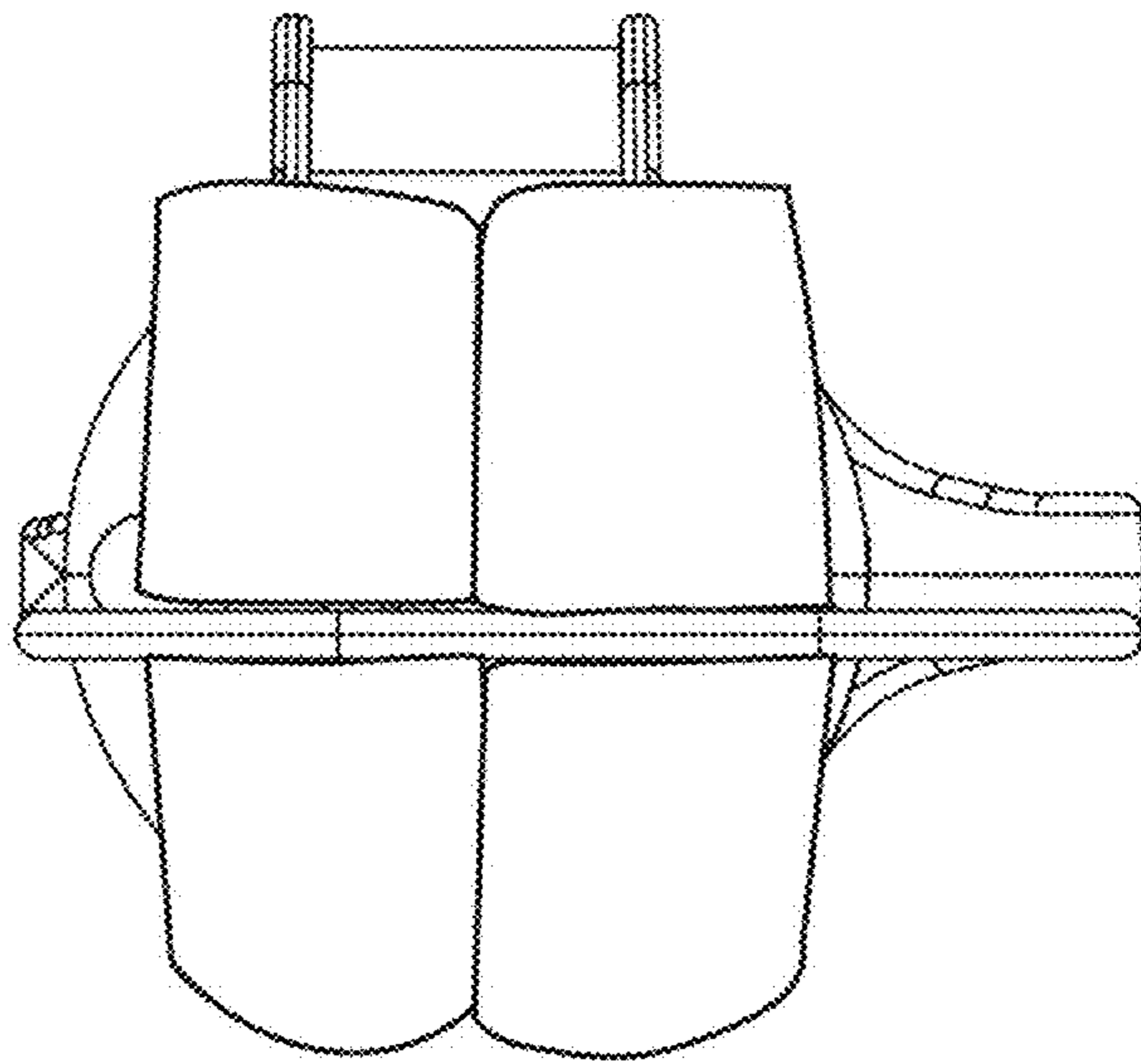


FIG. 8

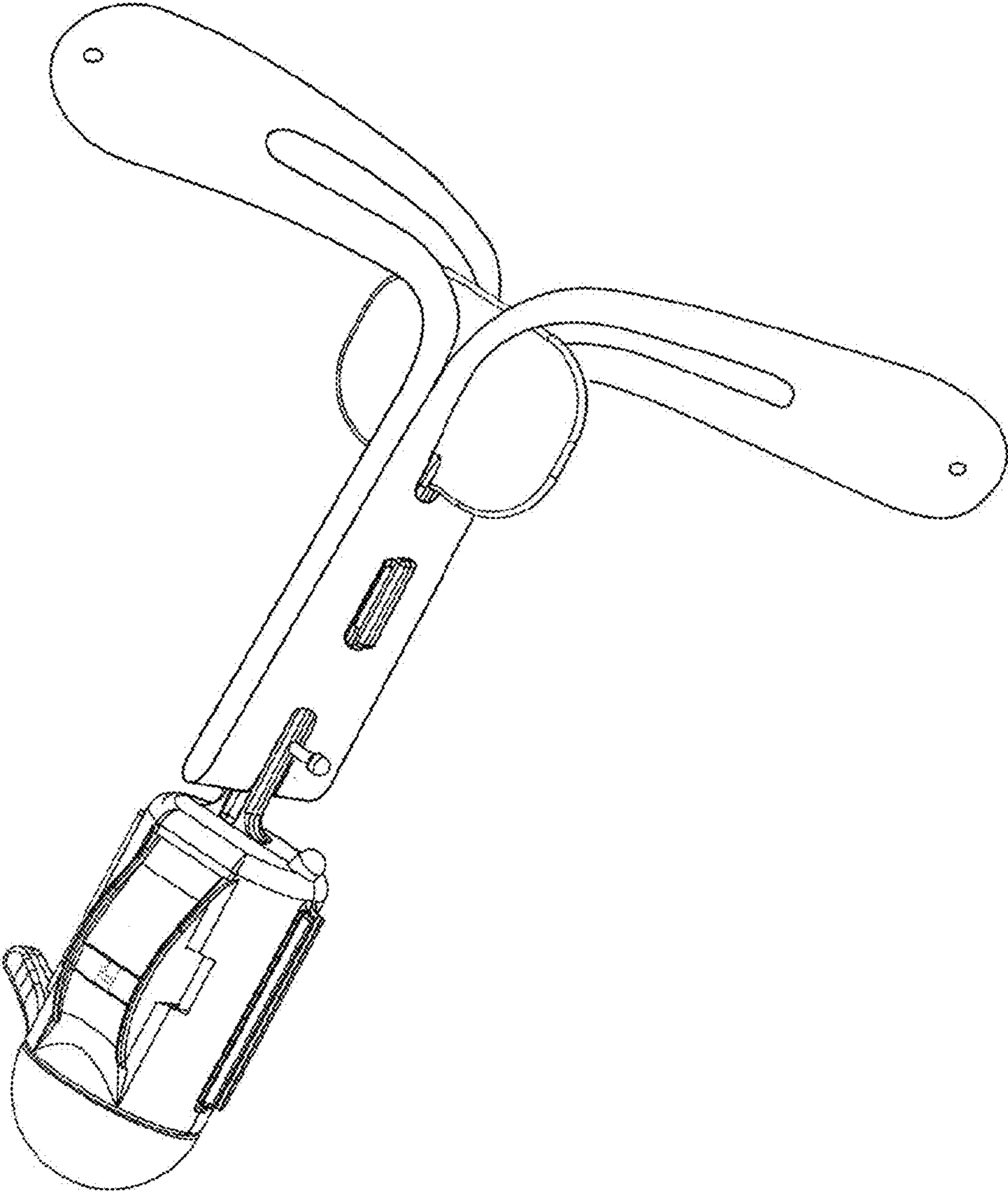


FIG. 9