



US00D735812S

(12) **United States Design Patent**  
**Delgatty**

(10) **Patent No.:** **US D735,812 S**

(45) **Date of Patent:** **\*\* Aug. 4, 2015**

(54) **MOTORIZED SCOOTER**

(71) Applicant: **Egological Mobility Solutions Inc.,**  
Aguora Hills, CA (US)

(72) Inventor: **Grant Delgatty,** Aguora Hills, CA (US)

(73) Assignee: **URBAN626, LLC,** Pasadena, CA (US)

(\*\*) Term: **14 Years**

(21) Appl. No.: **29/495,829**

(22) Filed: **Jul. 3, 2014**

(51) **LOC (10) Cl.** ..... **21-01**

(52) **U.S. Cl.**  
USPC ..... **D21/423**

(58) **Field of Classification Search**  
USPC ..... D21/419, 421, 423, 426-428, 435,  
D21/668-671, 760, 765, 771; D12/1, 8,  
D12/108, 111, 112, 113; 280/8, 14.21,  
280/14.25, 14.26, 87.041, 87.042, 200, 214,  
280/220, 221, 239, 263, 278, 287, 288.1,  
280/288.2, 288.4, 809; 180/180, 181, 227,  
180/228

CPC ..... B62K 3/002; B62K 9/00; B62K 9/02;  
B62K 13/00; B62K 2202/00

See application file for complete search history.

(56) **References Cited**

**U.S. PATENT DOCUMENTS**

3,486,765 A \* 12/1969 Turner ..... 280/278  
4,653,767 A \* 3/1987 Gajewski ..... 280/278  
D338,433 S \* 8/1993 Crooks, Sr. .... D12/112

D457,197 S \* 5/2002 Becker ..... D21/423  
D464,379 S \* 10/2002 Lin ..... D21/423  
D466,839 S \* 12/2002 Ou ..... D12/110  
6,588,787 B2 \* 7/2003 Ou ..... 280/287  
D483,821 S \* 12/2003 Yang ..... D21/662  
D487,908 S \* 3/2004 Mayer et al. .... D21/423  
D503,362 S \* 3/2005 Zhu et al. .... D12/111  
D511,719 S \* 11/2005 Chung ..... D12/111  
D513,629 S \* 1/2006 Sramek ..... D21/423  
D513,772 S \* 1/2006 Otis et al. .... D21/423  
6,986,522 B2 \* 1/2006 Sinclair et al. .... 280/287  
D522,076 S \* 5/2006 Casey ..... D21/687  
D586,265 S \* 2/2009 Lin et al. .... D12/111  
D641,667 S \* 7/2011 Ryan et al. .... D12/111  
D668,586 S \* 10/2012 Golias et al. .... D12/111

\* cited by examiner

*Primary Examiner* — Cynthia M Chin

(74) *Attorney, Agent, or Firm* — KPPB LLP

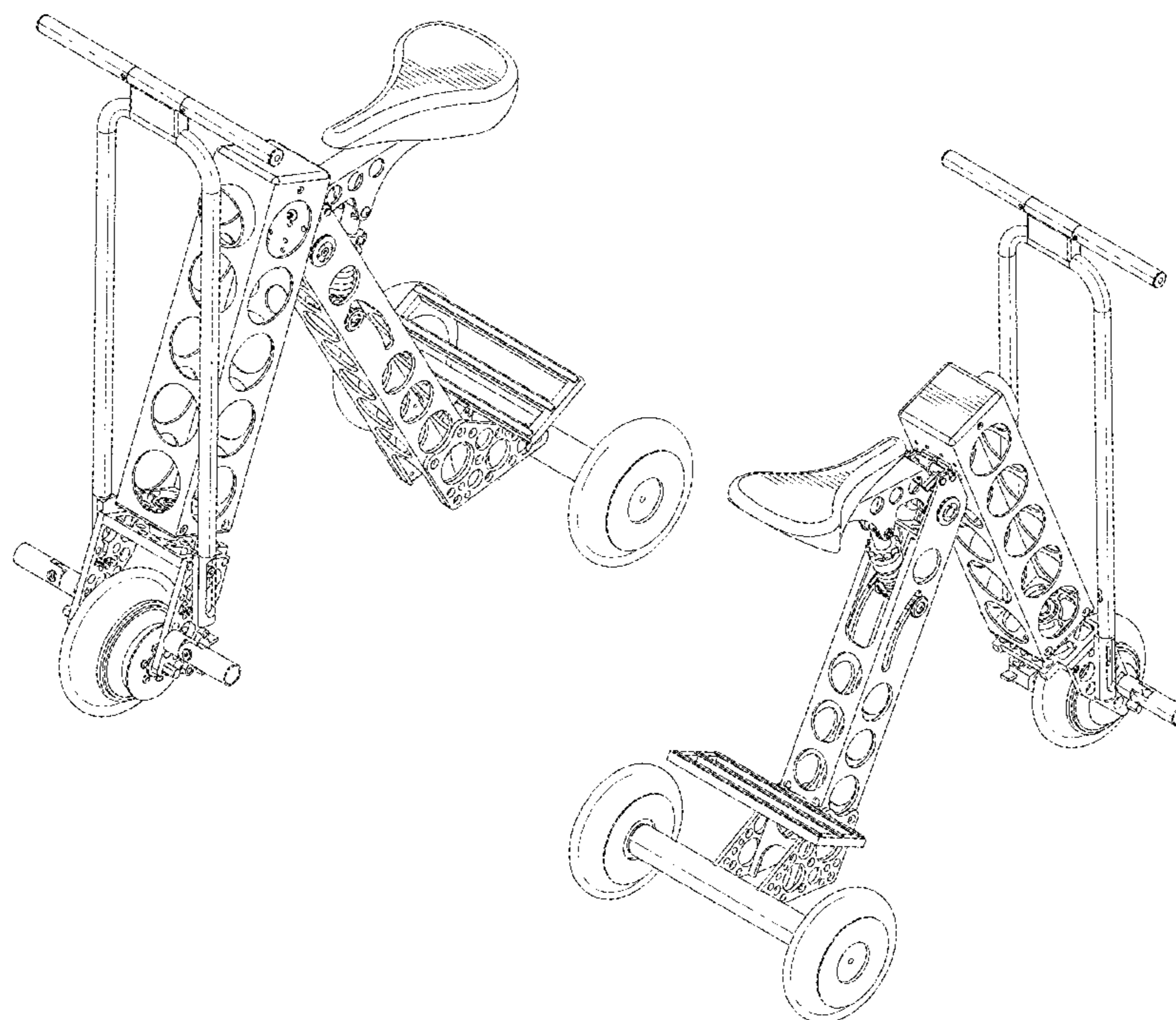
(57) **CLAIM**

The ornamental design for a motorized scooter, as shown and described.

**DESCRIPTION**

FIG. 1 is a front perspective view of a motorized scooter in accordance with my new design;  
FIG. 2 is a rear perspective view thereof;  
FIG. 3 is a first side view thereof;  
FIG. 4 is a second side view thereof;  
FIG. 5 is a front view thereof;  
FIG. 6 is rear view thereof;  
FIG. 7 is a top view thereof; and,  
FIG. 8 is a bottom view thereof.

**1 Claim, 5 Drawing Sheets**



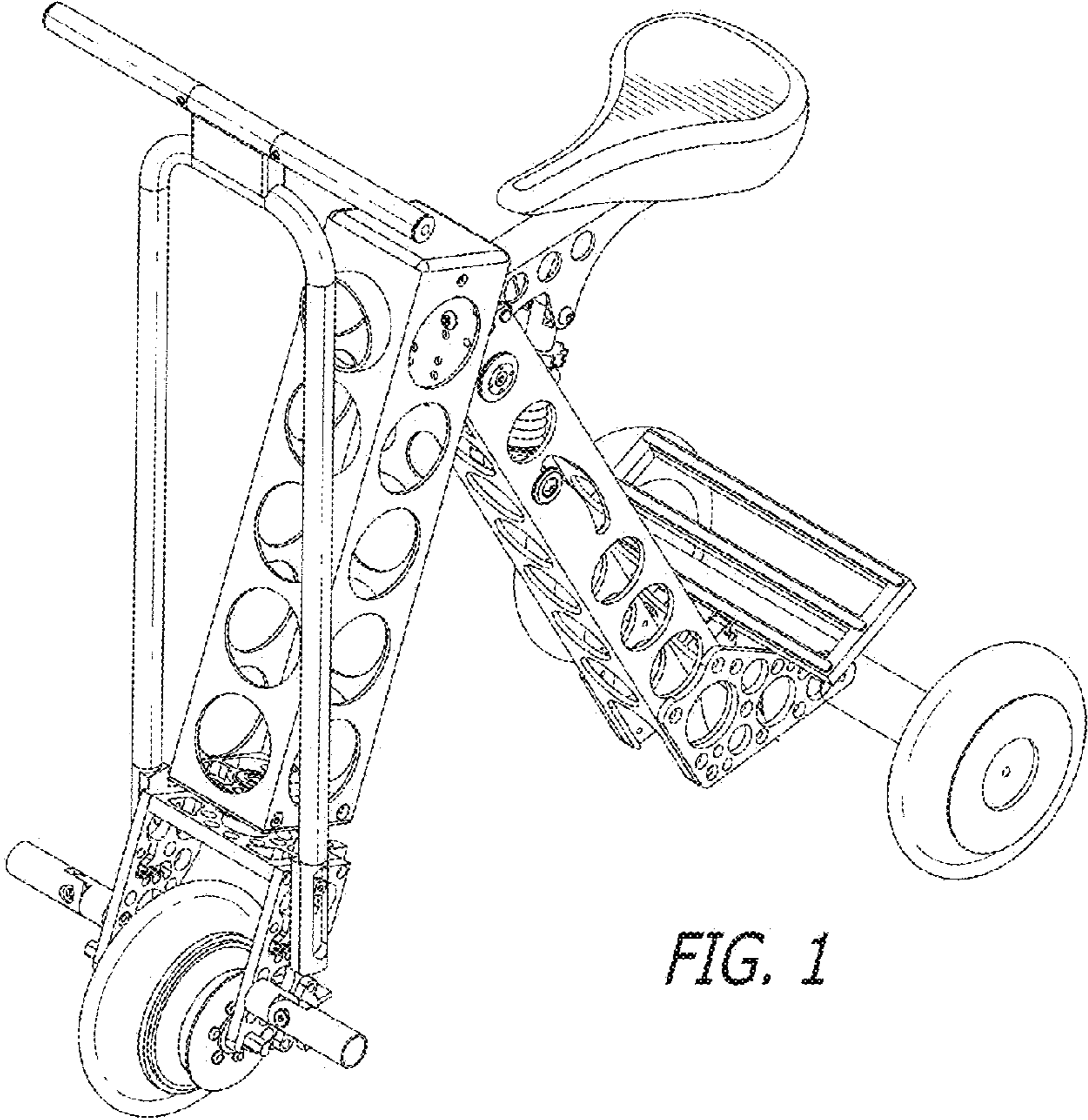


FIG. 1

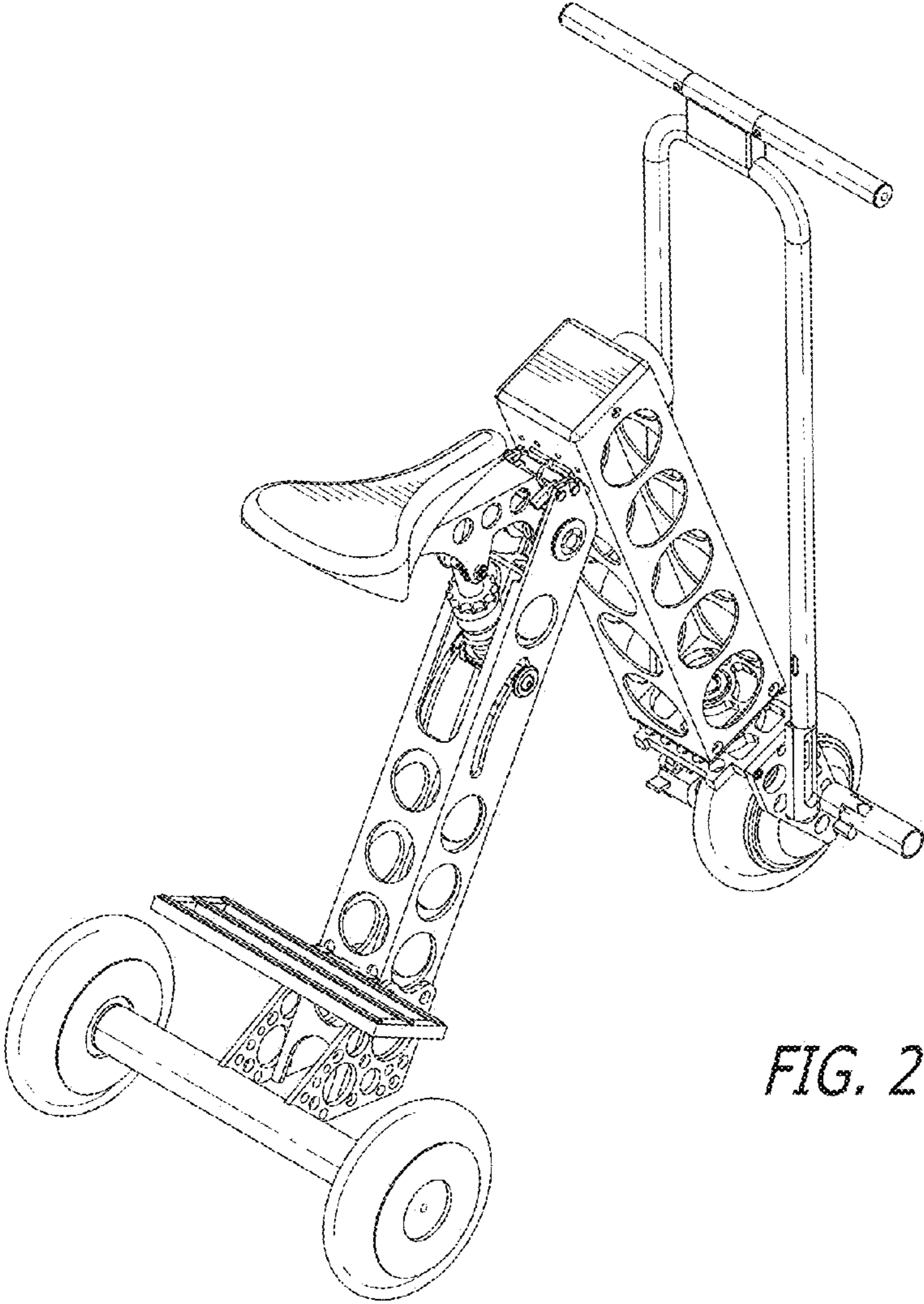


FIG. 2

FIG. 3

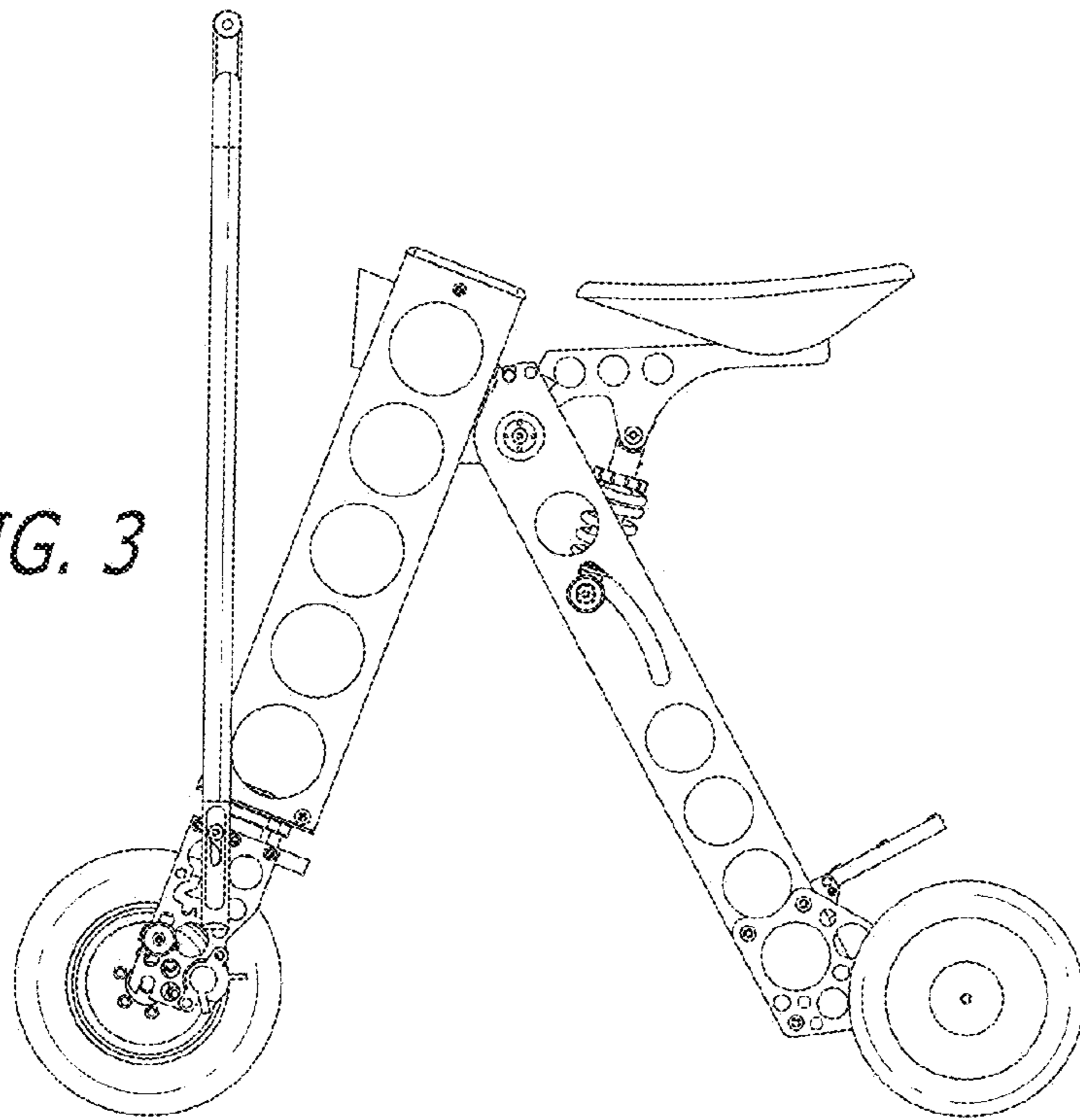
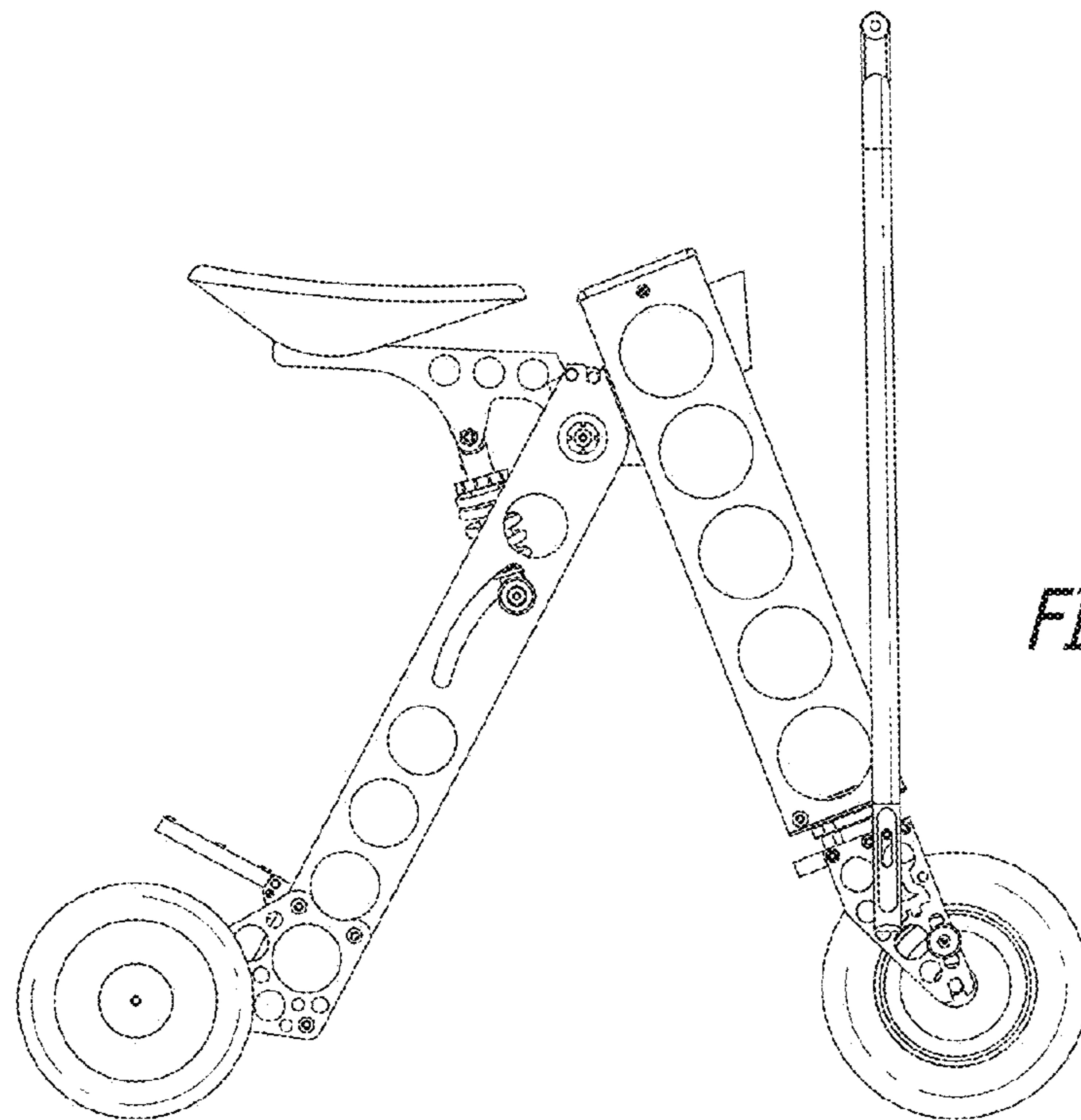


FIG. 4



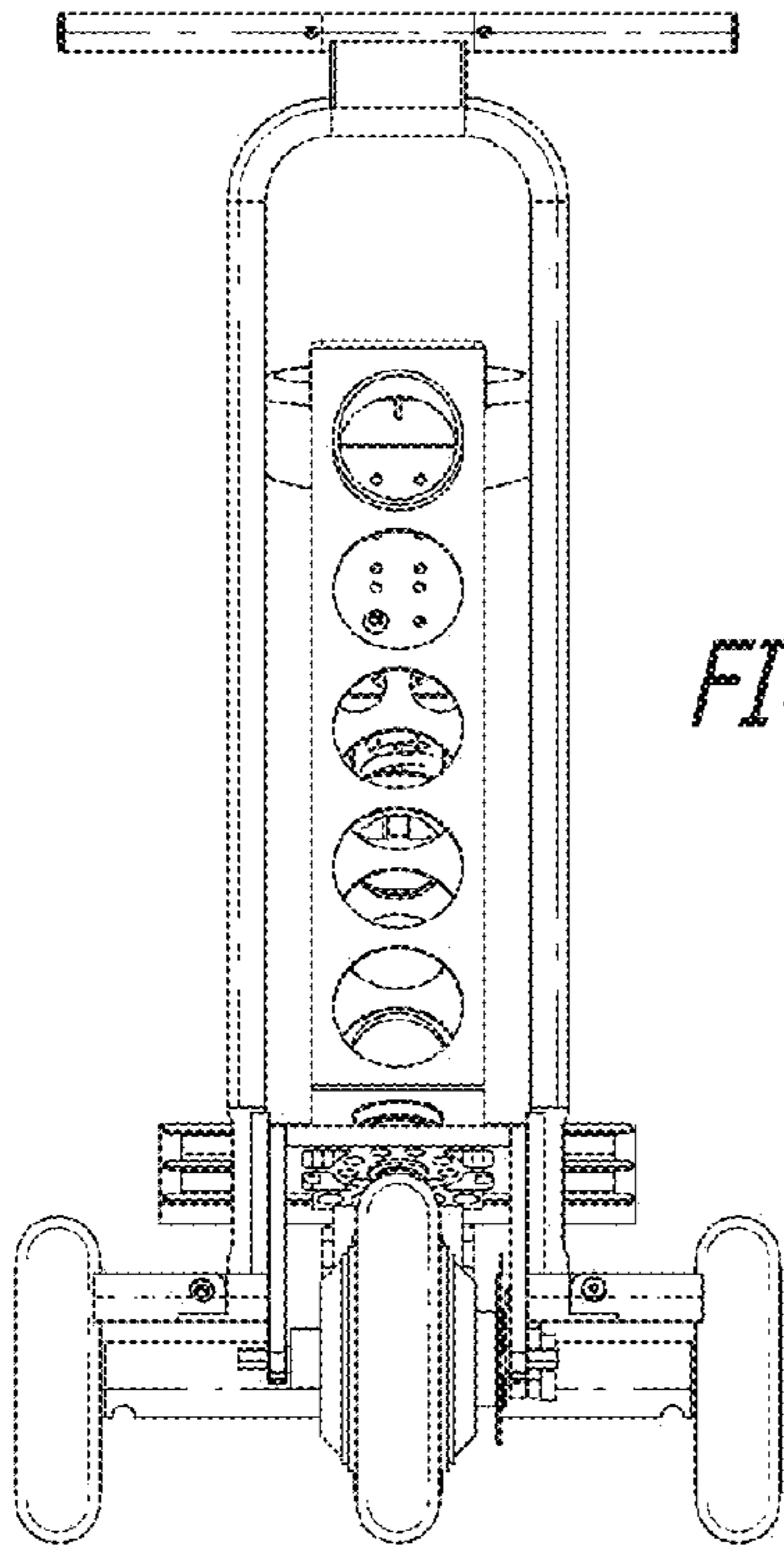


FIG. 5

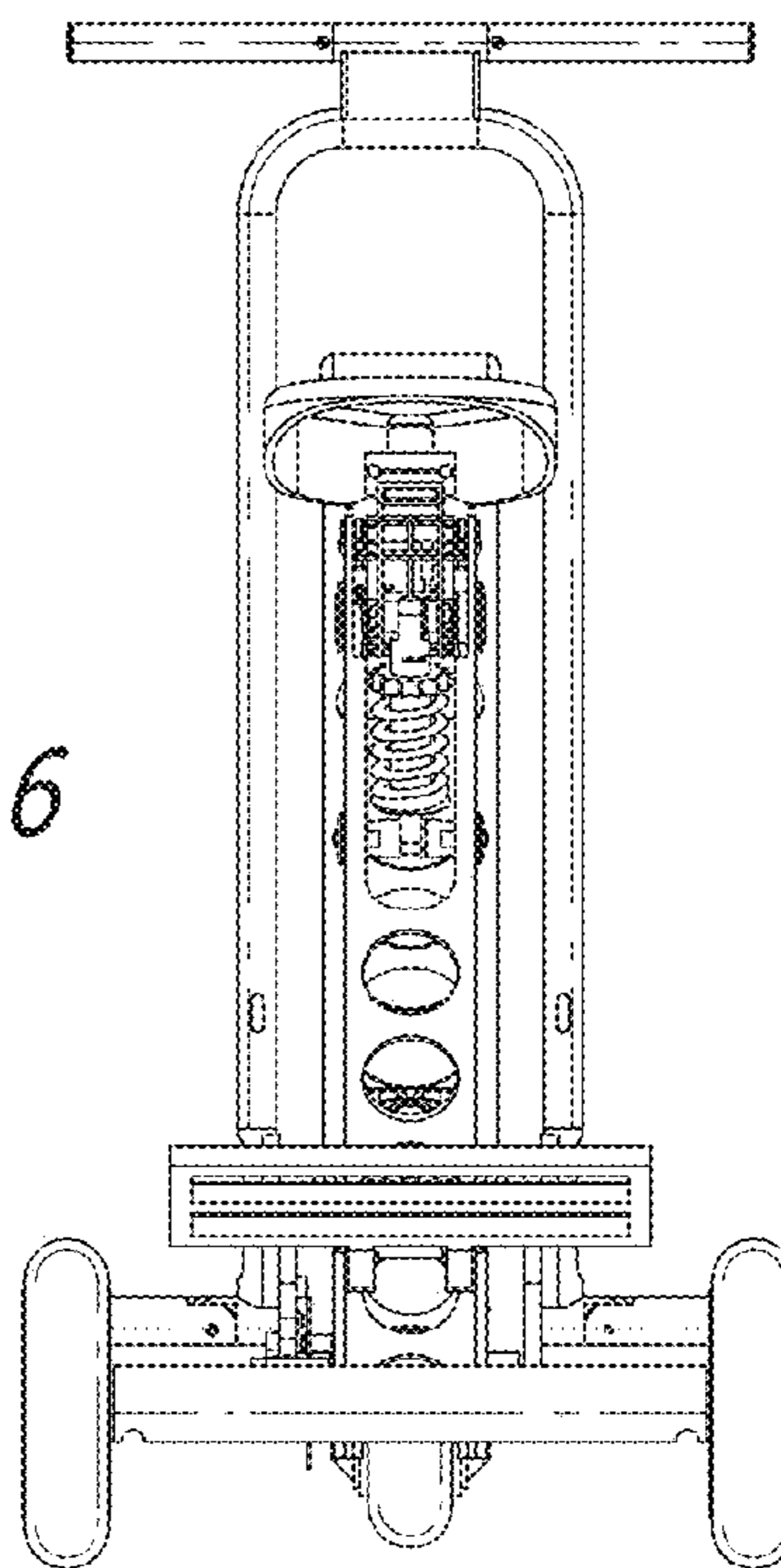


FIG. 6

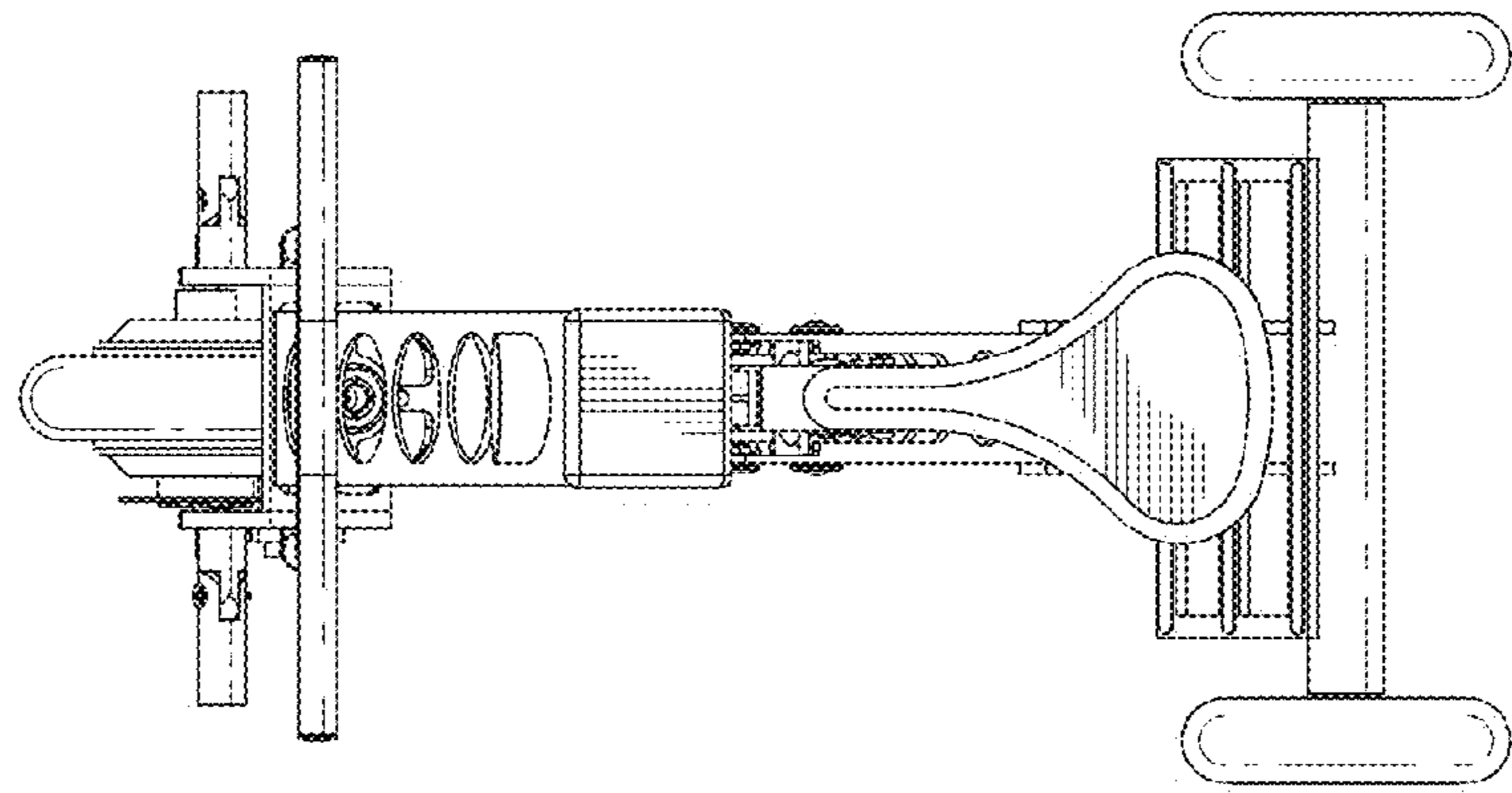


FIG. 7

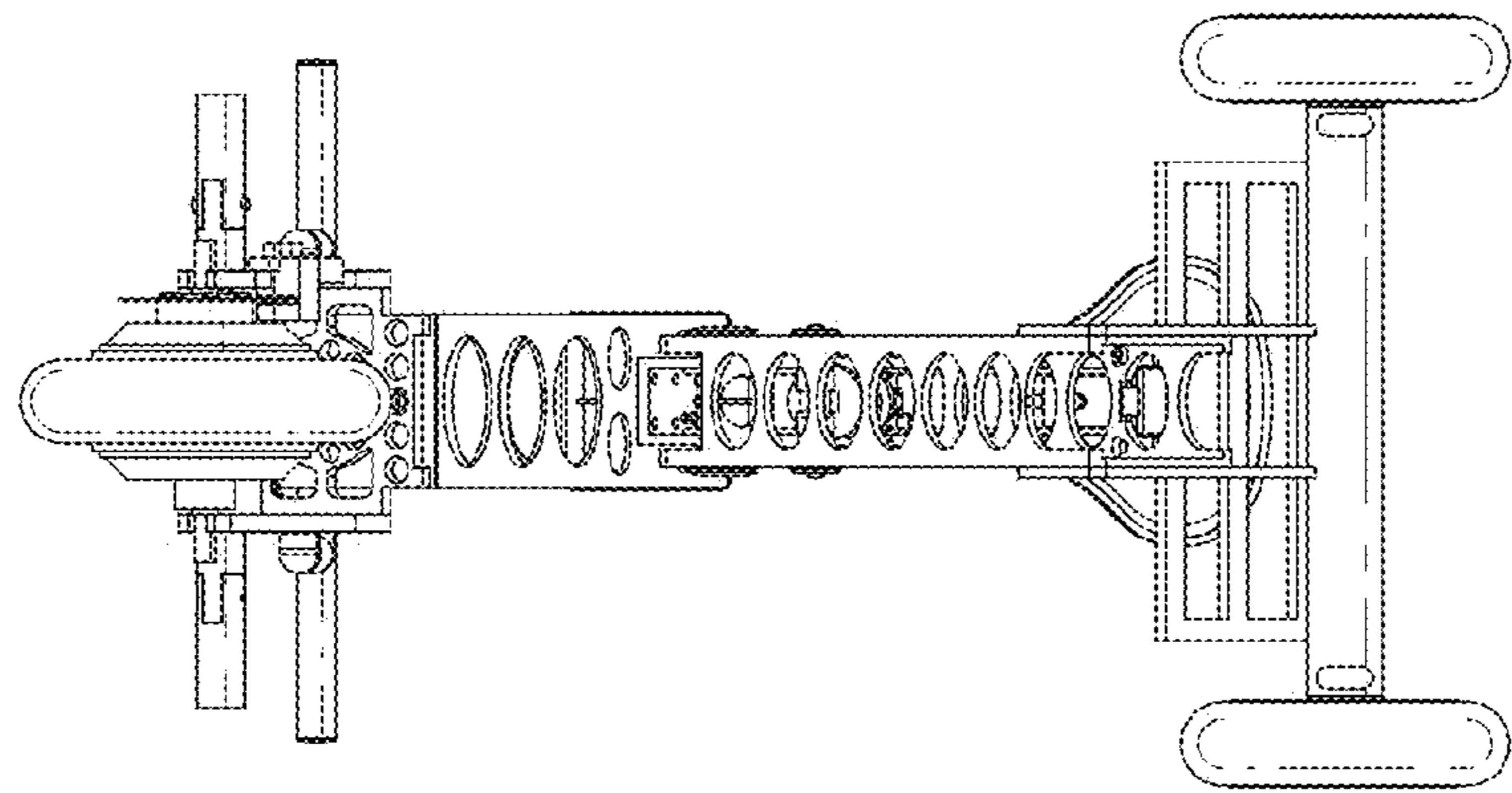


FIG. 8