



US00D735805S

(12) **United States Design Patent**
Haller

(10) **Patent No.:** **US D735,805 S**
(45) **Date of Patent:** **** Aug. 4, 2015**

(54) **ELECTRONIC DEVICE HOUSING FOR A TOUCH SCREEN REGISTER OR THE LIKE**

D706,766 S * 6/2014 Lee et al. D14/316
D714,788 S * 10/2014 Haller et al. D14/434
2013/0262248 A1* 10/2013 Kim et al. 705/17

(71) Applicant: **Elo Touch Solutions, Inc.**, Milpitas, CA (US)

(72) Inventor: **Jeffrey T. Haller**, Redwood City, CA (US)

(73) Assignee: **Elo Touch Solutions, Inc.**, Milpitas, CA (US)

(**) Term: **14 Years**

(21) Appl. No.: **29/464,846**

(22) Filed: **Aug. 21, 2013**

(51) **LOC (10) Cl.** **18-99**

(52) **U.S. Cl.**
USPC **D18/46**

(58) **Field of Classification Search**
USPC D18/4.1, 4.3, 4.4, 4.5, 4.6, 11, 12, 12.3,
D18/59, 99; D14/336, 371, 374, 375, 376,
D14/377, 388, 389; 235/1 D, 2, 7 R; 705/15,
705/16, 17

See application file for complete search history.

(56) **References Cited**

U.S. PATENT DOCUMENTS

6,034,866 A * 3/2000 Nobuchi et al. 361/679.26
D528,146 S * 9/2006 Fitch D18/4.4
D598,045 S * 8/2009 Iwata et al. D18/4.5
D615,120 S * 5/2010 Ono D18/4.5
D625,355 S * 10/2010 Branck et al. D18/12.3
D647,086 S * 10/2011 Haller et al. D14/336
D647,898 S * 11/2011 Haller et al. D14/336
D654,501 S * 2/2012 Haller et al. D14/375
D681,636 S * 5/2013 Haller D14/377
D688,673 S * 8/2013 Haller D14/451

OTHER PUBLICATIONS

Casio V-R100 Android Terminal [Retrieved from the Internet: <URL: http://www.cev.ie>. (dated Apr. 16, 2013) 6 pages.
CashRegisterStore.com :: Cash Registers :: Casio :: Casio V-R 100 :: Casio V-R100 Touch Screen Tablet [online] [retrieved Jul. 1, 2013]. Retrieved from the Internet: <URL: www.cashregisterstore.com/xcart/product.php?productid=4675&cat=2799&page=1>. (undated) 3 pages.

(Continued)

Primary Examiner — Eric Goodman
Assistant Examiner — Amy Wierenga
(74) *Attorney, Agent, or Firm* — Alston & Bird LLP

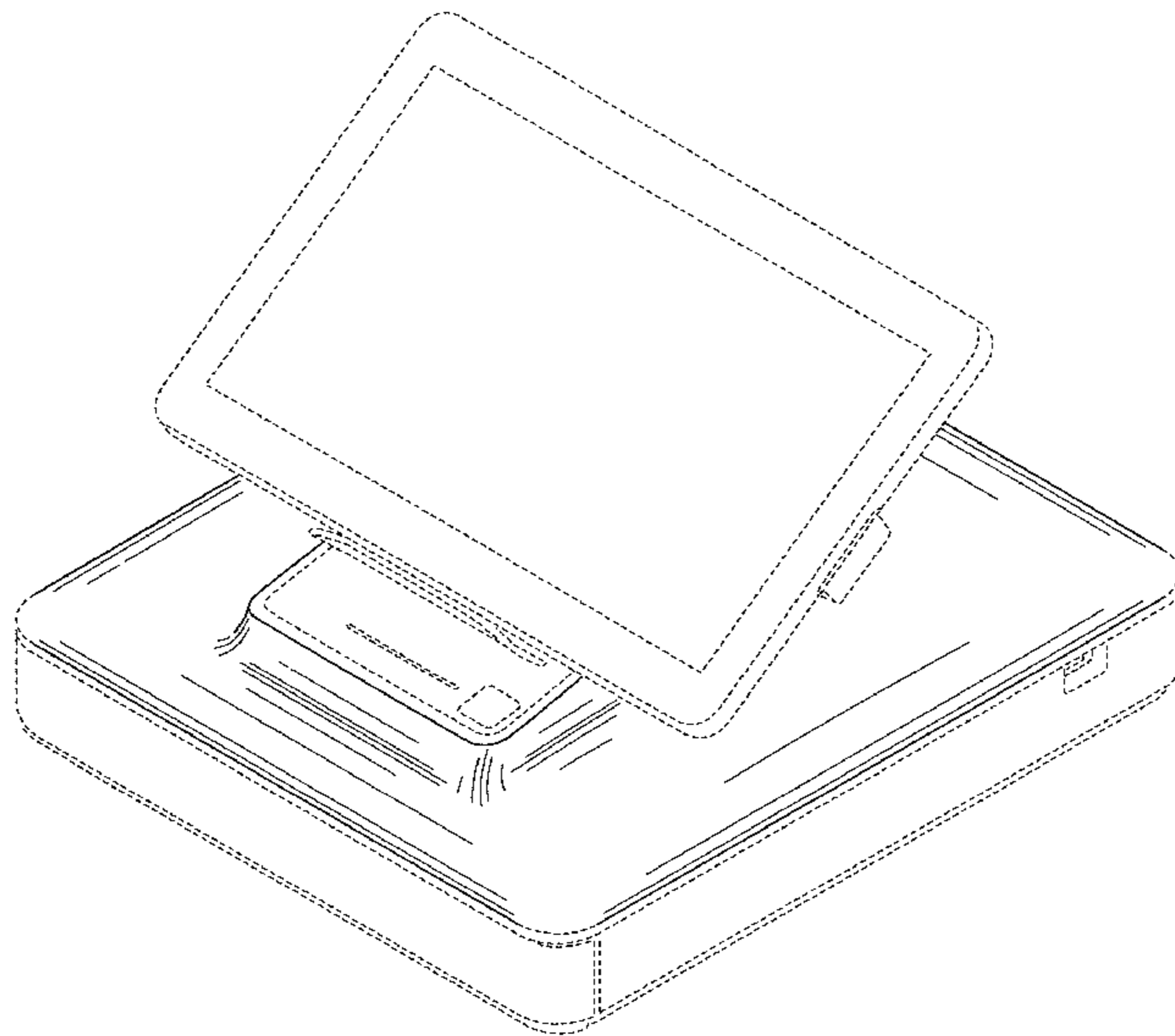
(57) **CLAIM**

I claim the ornamental design for an electronic device housing for a touch screen register or the like, as shown and described.

DESCRIPTION

FIG. 1 is a perspective view of an electronic device housing for a touch screen register or the like showing my new design; FIG. 2 is a front elevation view thereof; FIG. 3 is a rear elevation view thereof; FIG. 4 is a left side elevation view thereof; FIG. 5 is a right side elevation view thereof; FIG. 6 is a top plan view thereof; FIG. 7 is another perspective view thereof; FIG. 8 is a cross-sectional partial top plan view thereof taken along line 8-8 of FIG. 5; and, FIG. 9 is another right side elevation view thereof, shown with the touch screen in another position of use. The broken lines immediately adjacent shaded areas represent bounds of the claimed design, while all other broken lines are directed to environment or unclaimed features. The bottom of the design is unornamented. The broken lines form no part of the claimed design.

1 Claim, 9 Drawing Sheets



(56)

References Cited

OTHER PUBLICATIONS

Casio VR 100 Till EPOS Systems, Android App Suppliers, Software Company [online] [retrieved Jul. 1, 2013]. Retrieved from the Internet: <URL: www.casiovr100.co.uk>. (dated 2012) 4 pages.

POS Software and Hardware, Retail and Restaurant POS Systems, Security cameras, DVR, Recorders, Portable Inventory | International Point of Sale [online] [retrieved Jul. 1, 2013]. Retrieved from the Internet: <URL: www.internationalpointofsale.com/completepos.html>. (dated 2009) 4 pages.

Wholesale All in one touch POS machine touch screen terminal cash register wireless meals ordering set, \$397.1~418.0/Set | DHgate

[online] [retrieved Jul. 1, 2013]. Retrieved from the Internet: <URL: www.dhgate.com/product/all-in-one-touch-pos-machine-touch-screen/135165997.html>. (undated) 1 page.

Aliexpress.com:Buy 15" all in one touch screen cash register from Reliable touch screen cash register supplies on Professional touch screen POS System . . . [online] [retrieved Jul. 1, 2013]. Retrieved from the Internet: <URL: www.aliexpress.com/store/product/15-all-in-one-touch-screen-cash-register/803507_522289154.html>. (dated 1999-2013) 12 pages.

Posiflex XP3315 Series Electronic Cash Register (ECR) [online] [retrieved Jul. 1, 2013]. Retrieved from the Internet: <URL: www.posiflexusa.com/xp3315.php>. (dated 2013) 1 page.

* cited by examiner

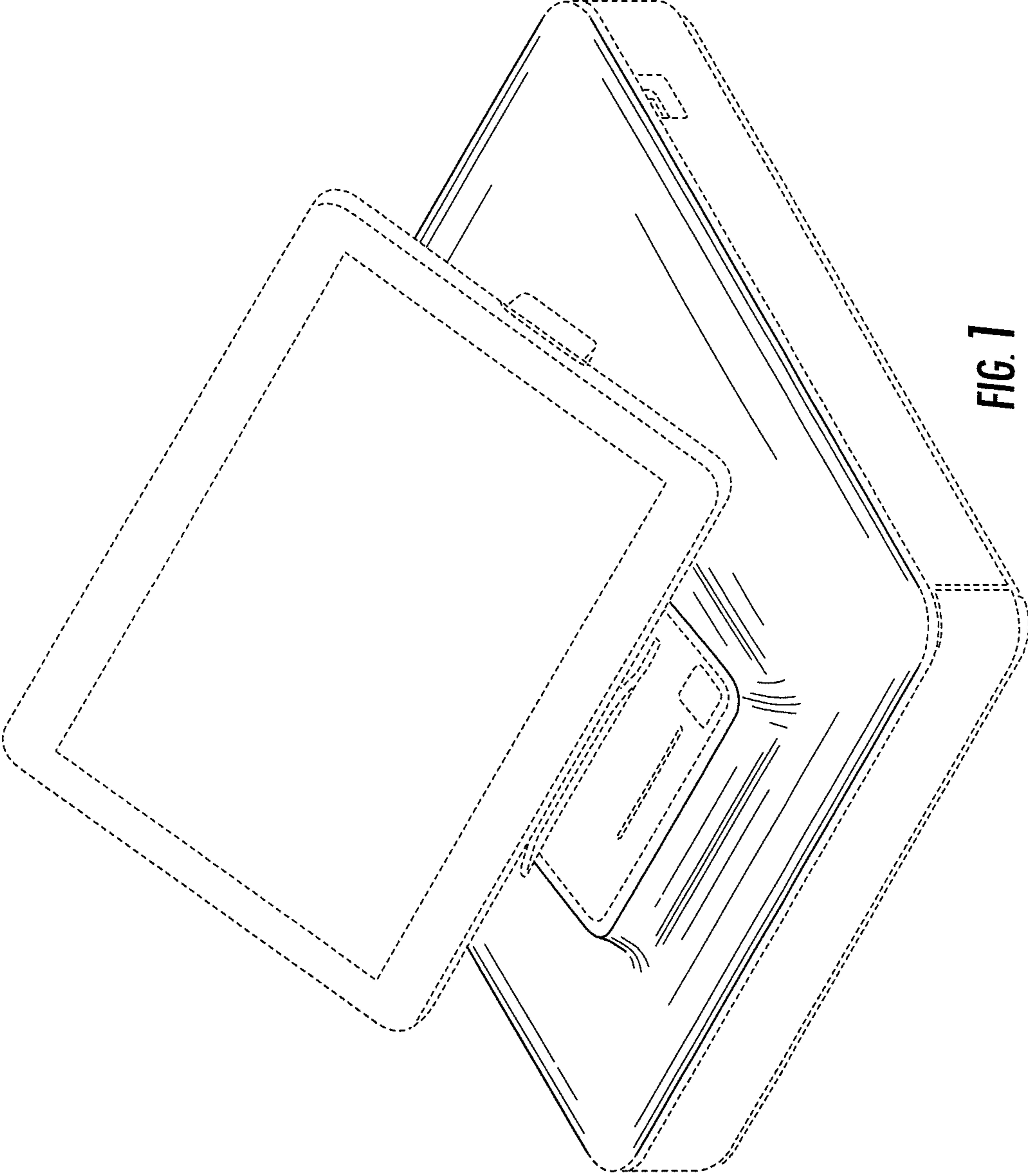


FIG. 1

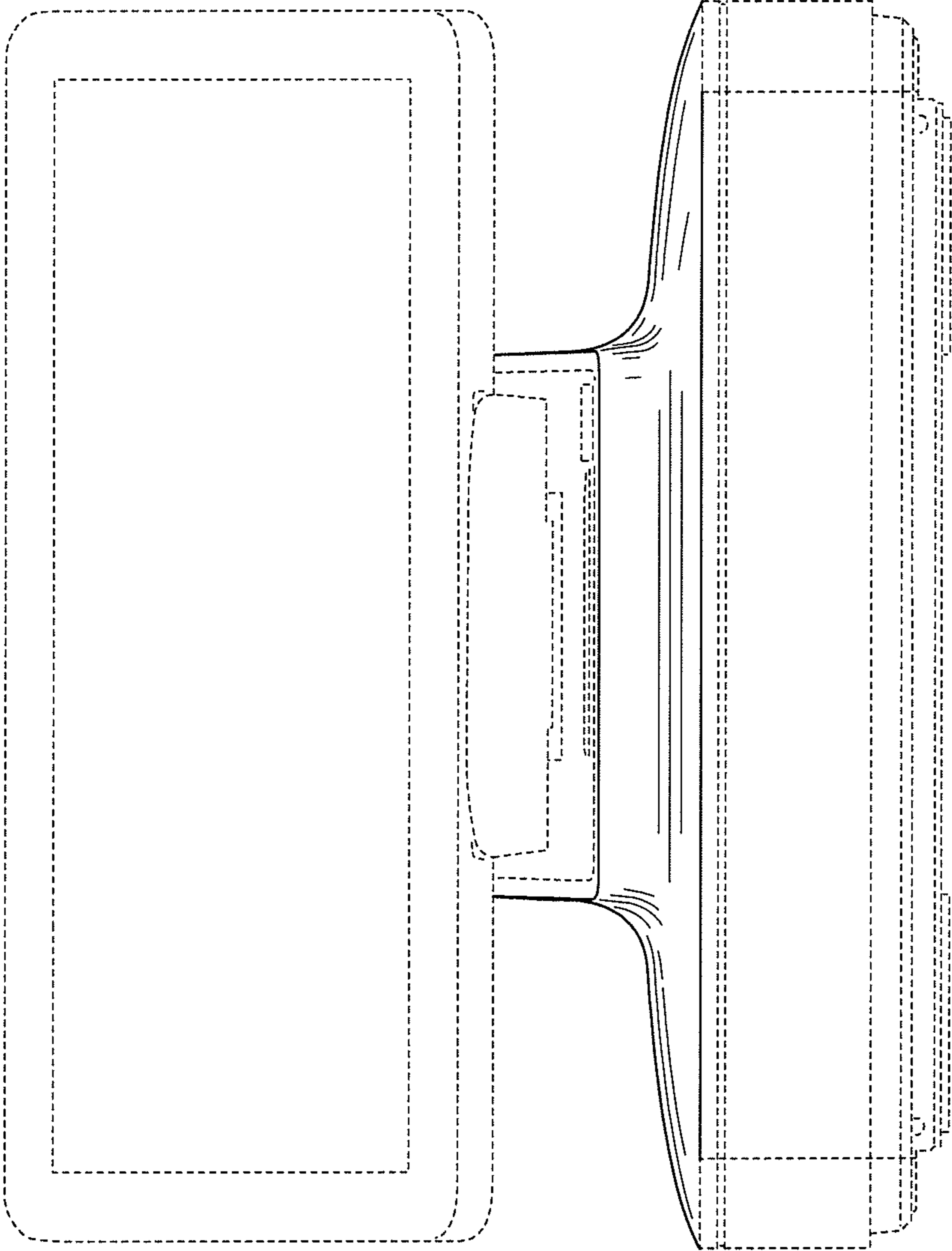


FIG. 2

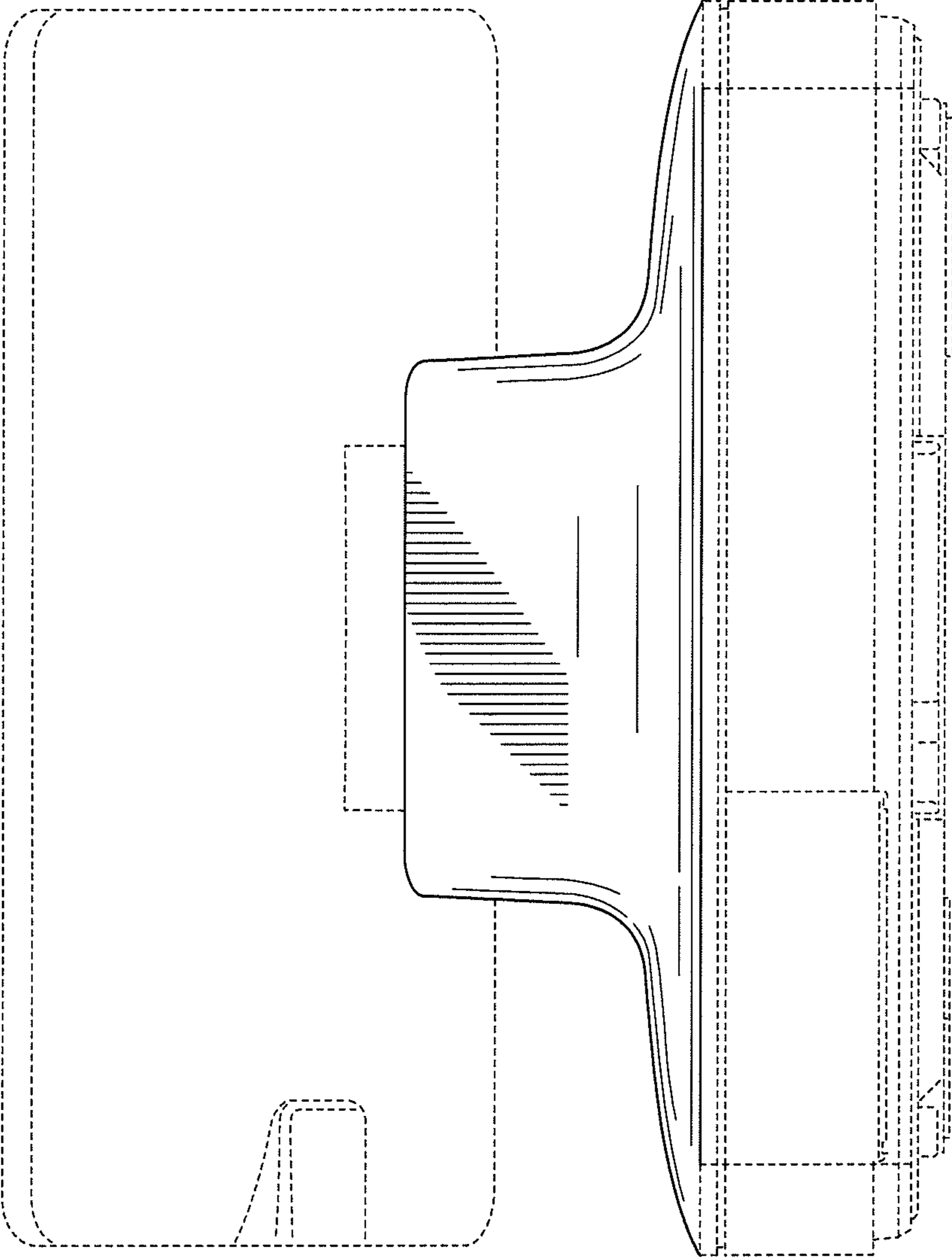


FIG. 3

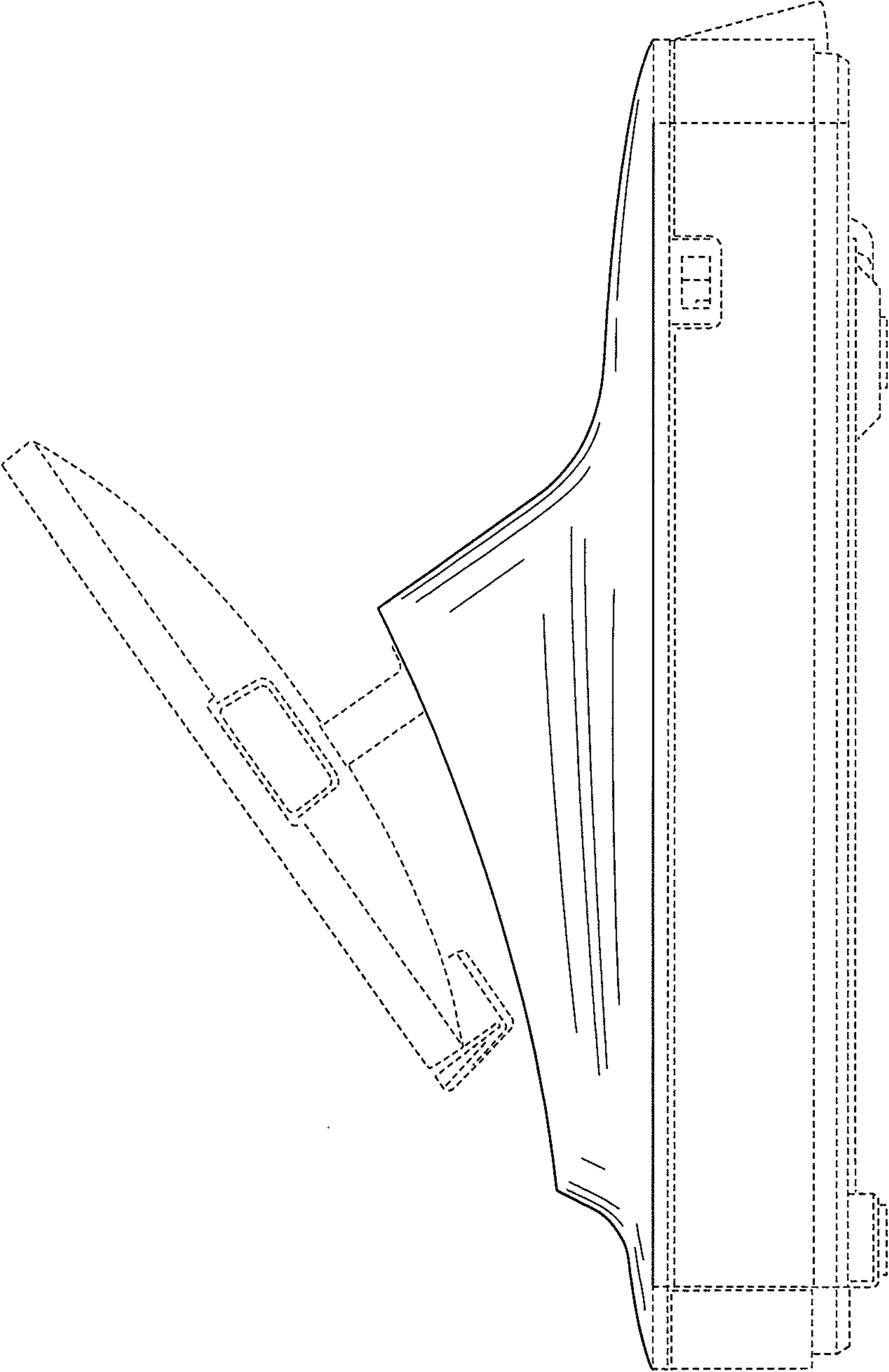


FIG. 4

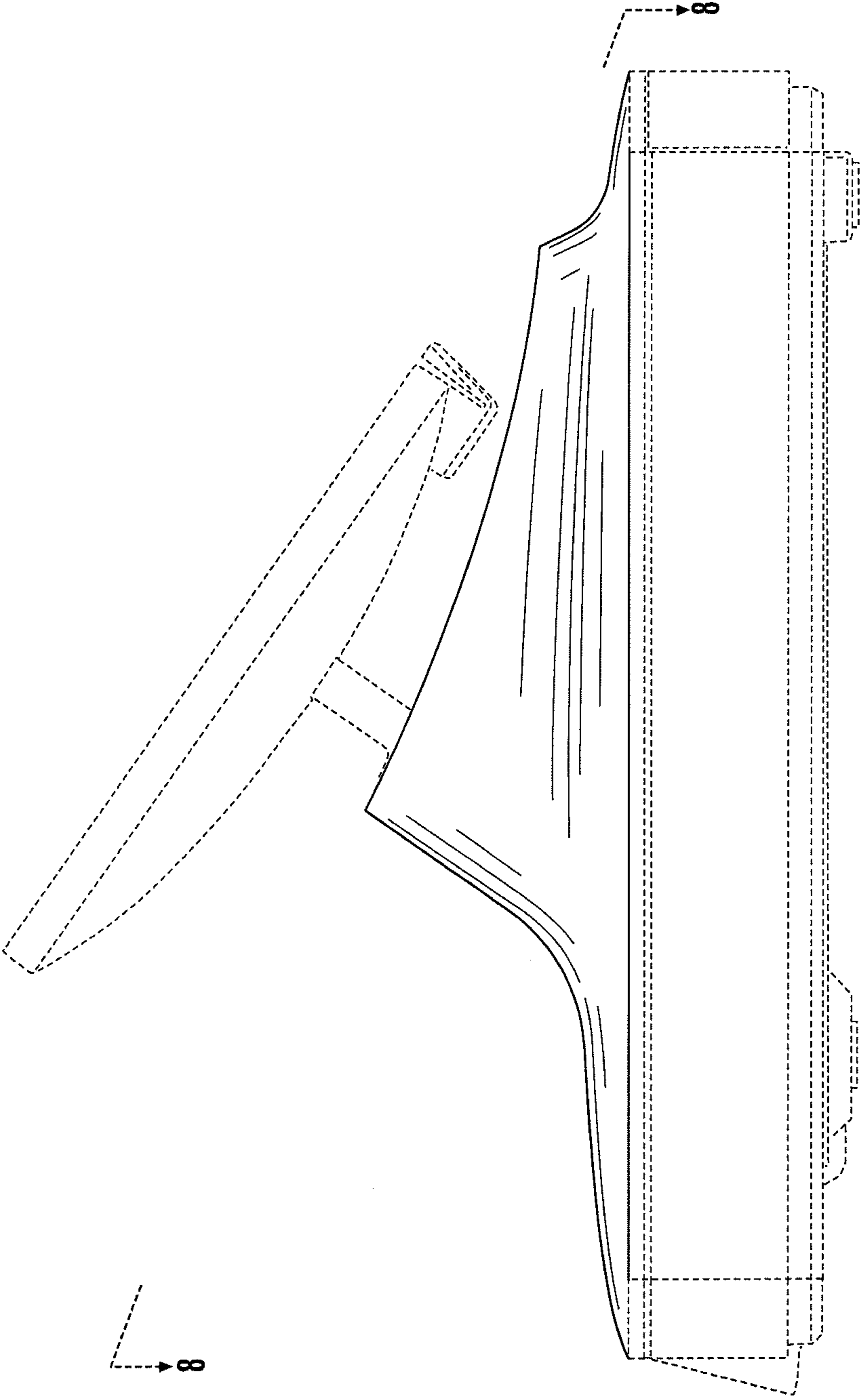


FIG. 5

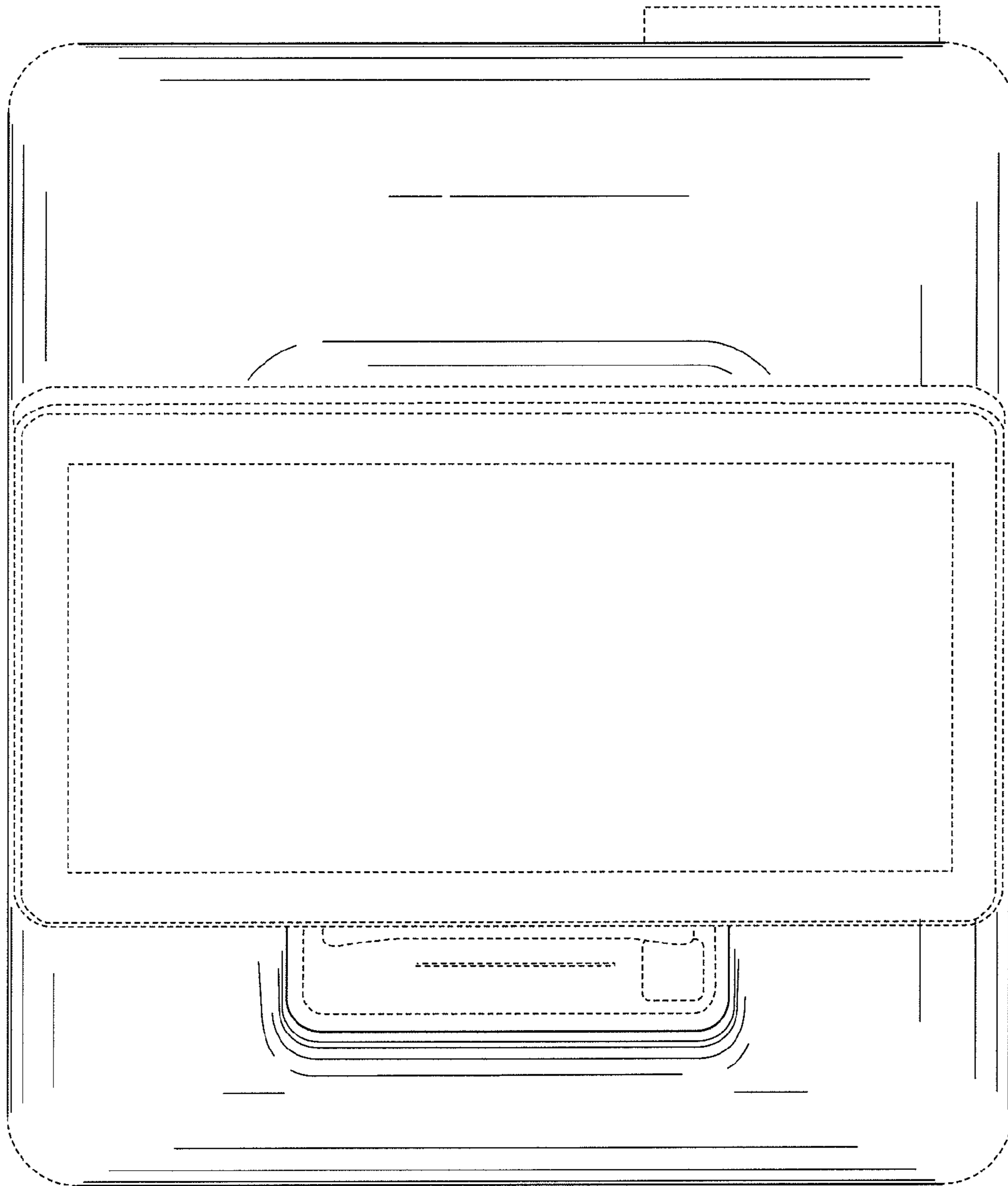


FIG. 6

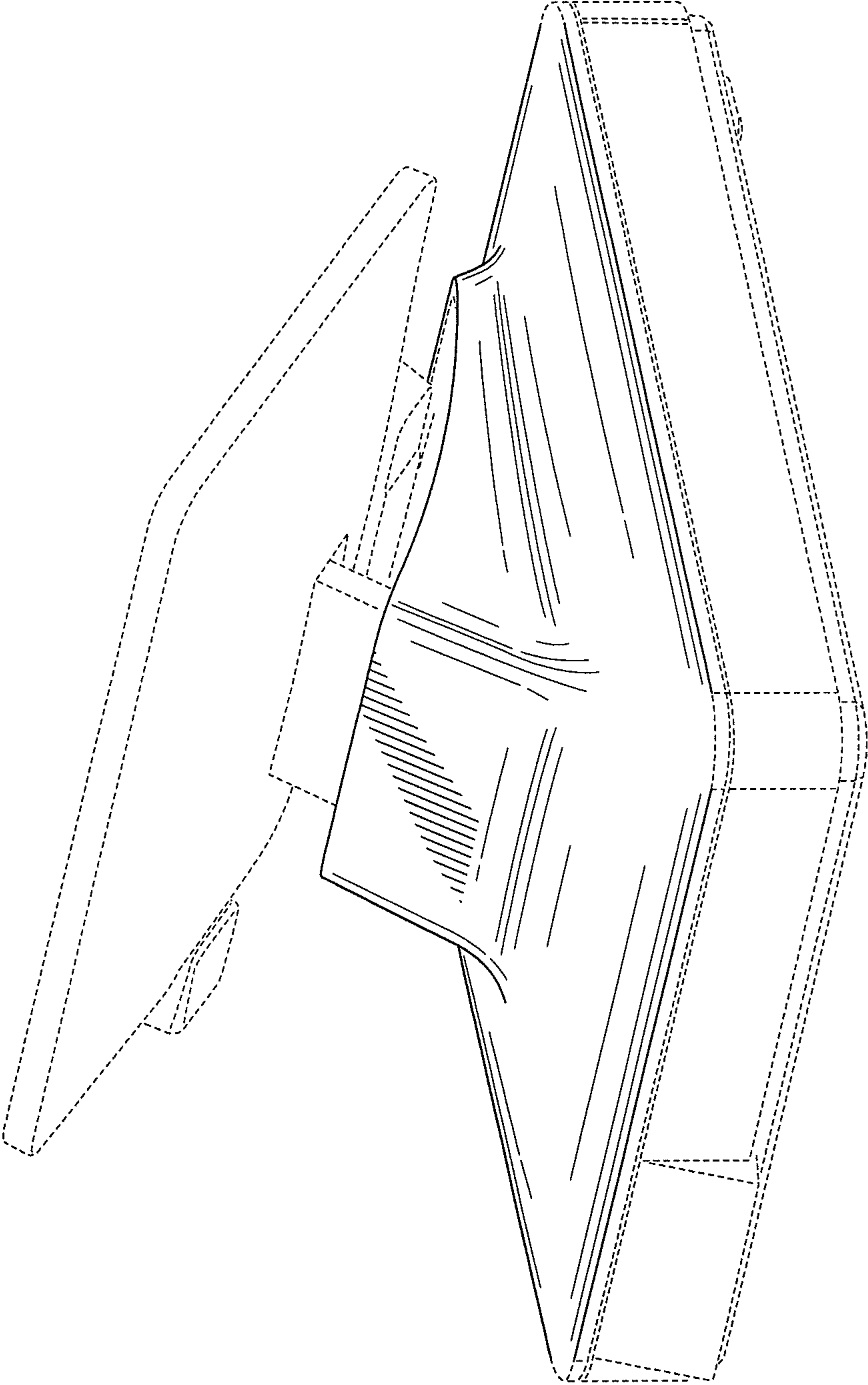


FIG. 7

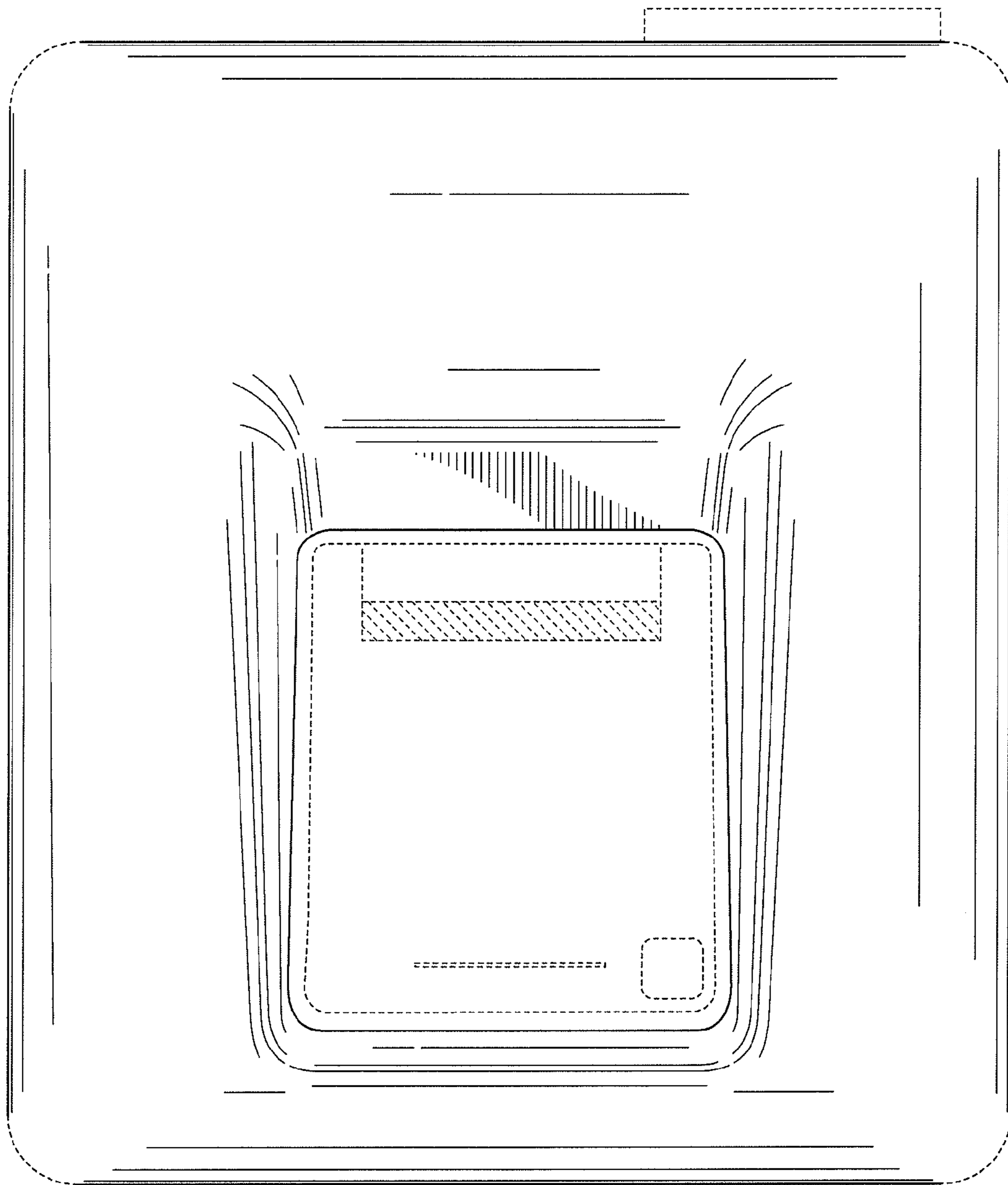


FIG. 8

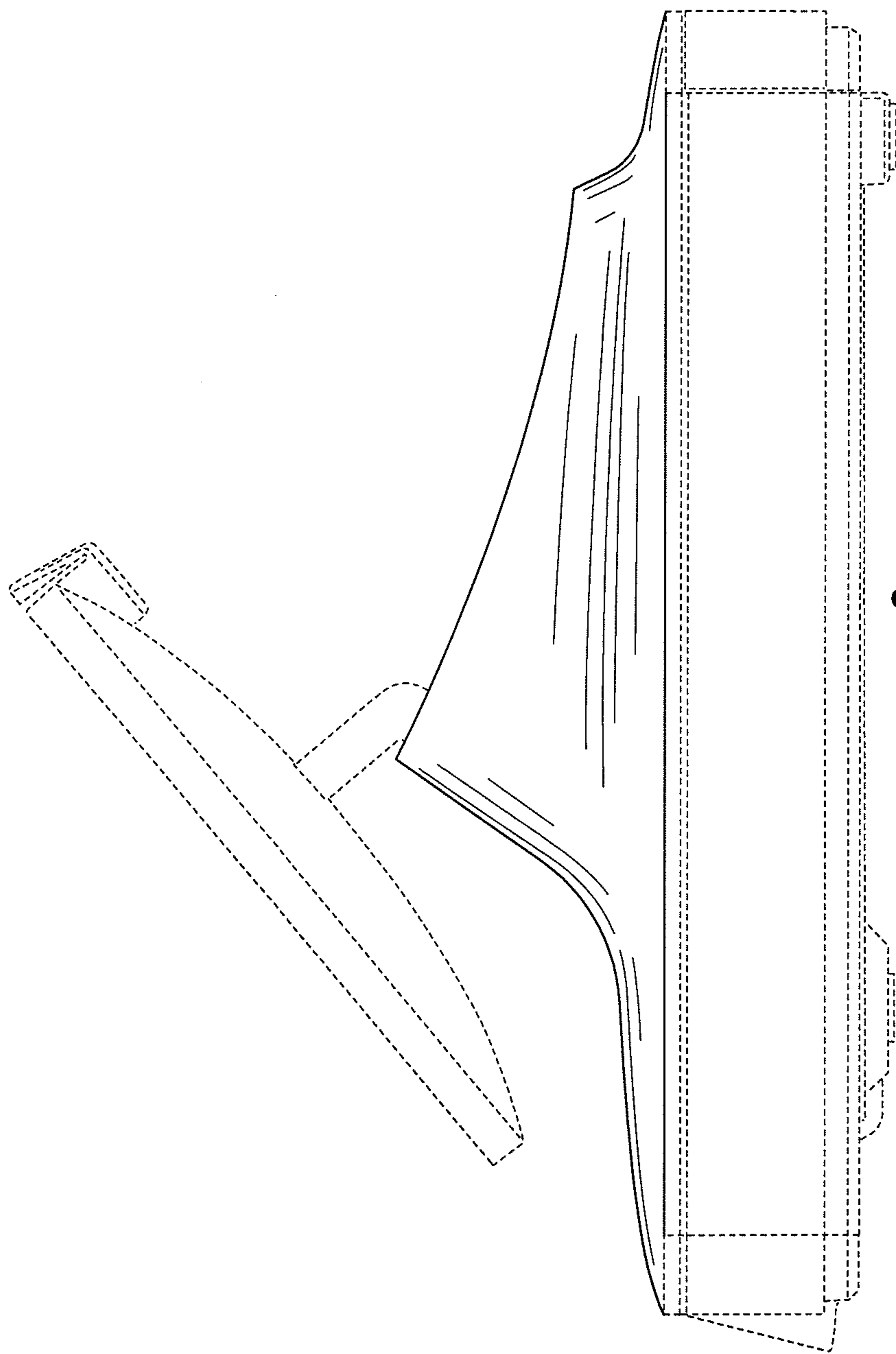


FIG. 9