

US00D735802S

(12) **United States Design Patent**  
**Lyons et al.**

(10) **Patent No.:** **US D735,802 S**

(45) **Date of Patent:** **\*\* Aug. 4, 2015**

(54) **POINT-OF-SALE DISPLAY**

(71) Applicant: **FIRST DATA CORPORATION**,  
Greenwood Village, CO (US)

(72) Inventors: **David Frederick Lyons**, Palo Alto, CA  
(US); **Christopher Loew**, Palo Alto, CA  
(US); **Leonard Speiser**, Mountain View,  
CA (US); **John Beatty**, Mountain View,  
CA (US); **Eric Fuhs**, Mountain View,  
CA (US)

(73) Assignee: **First Data Corporation**, Greenwood  
Village, CO (US)

(\*\*) Term: **14 Years**

(21) Appl. No.: **29/469,210**

(22) Filed: **Oct. 8, 2013**

(51) **LOC (10) Cl.** ..... **18-01**

(52) **U.S. Cl.**  
USPC ..... **D18/4.5; D18/4.6**

(58) **Field of Classification Search**  
USPC ..... D14/336, 371–376, 387, 126, 377, 378,  
D14/379, 381, 382, 383, 385, 386, 389, 451,  
D14/452; D18/3.1–3.3, 4.1–4.6, 6–8, 11,  
D18/12, 12.1–12.3; D21/324, 325, 332;  
D99/28, 34–36, 43; 235/1 E, 7 R, 12,  
235/22, 33, 51, 52, 2; 705/12, 15–18, 43  
CPC ..... G07G 1/0018  
See application file for complete search history.

(56) **References Cited**

**U.S. PATENT DOCUMENTS**

D510,577 S *	10/2005	Jobs et al. ....	D14/371
D624,895 S *	10/2010	Kasuga et al. ....	D14/126
D635,975 S *	4/2011	Seo et al. ....	D14/374
D659,660 S *	5/2012	Kumano ....	D14/126
D671,939 S *	12/2012	Chung ....	D14/374
D671,940 S *	12/2012	Kim ....	D14/374
D682,830 S *	5/2013	Taunay da Graca Couto .....	D14/385

D684,972 S *	6/2013	Benson et al. ....	D14/371
D687,821 S *	8/2013	Lee et al. ....	D14/341
D692,885 S *	11/2013	Cruz .....	D14/385
D698,785 S *	2/2014	Canizares et al. ....	D14/341
D700,605 S *	3/2014	Hong .....	D14/341

(Continued)

*Primary Examiner* — Carla Jobe Wright

*Assistant Examiner* — Holly E Thurman

(74) *Attorney, Agent, or Firm* — Sutherland Asbill &  
Brennan LLP

(57) **CLAIM**

The ornamental design for a point-of-sale display, as shown  
and described.

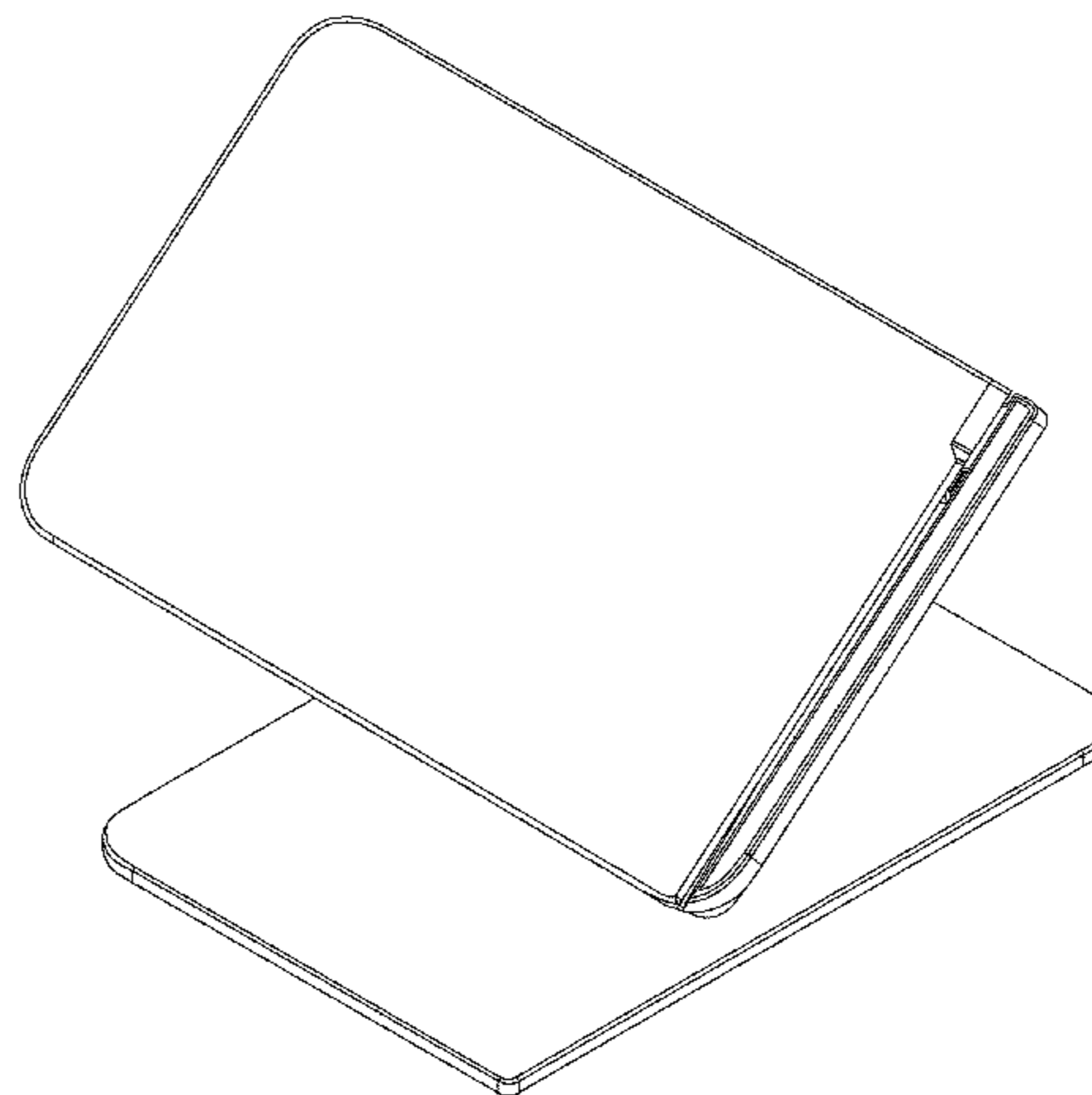
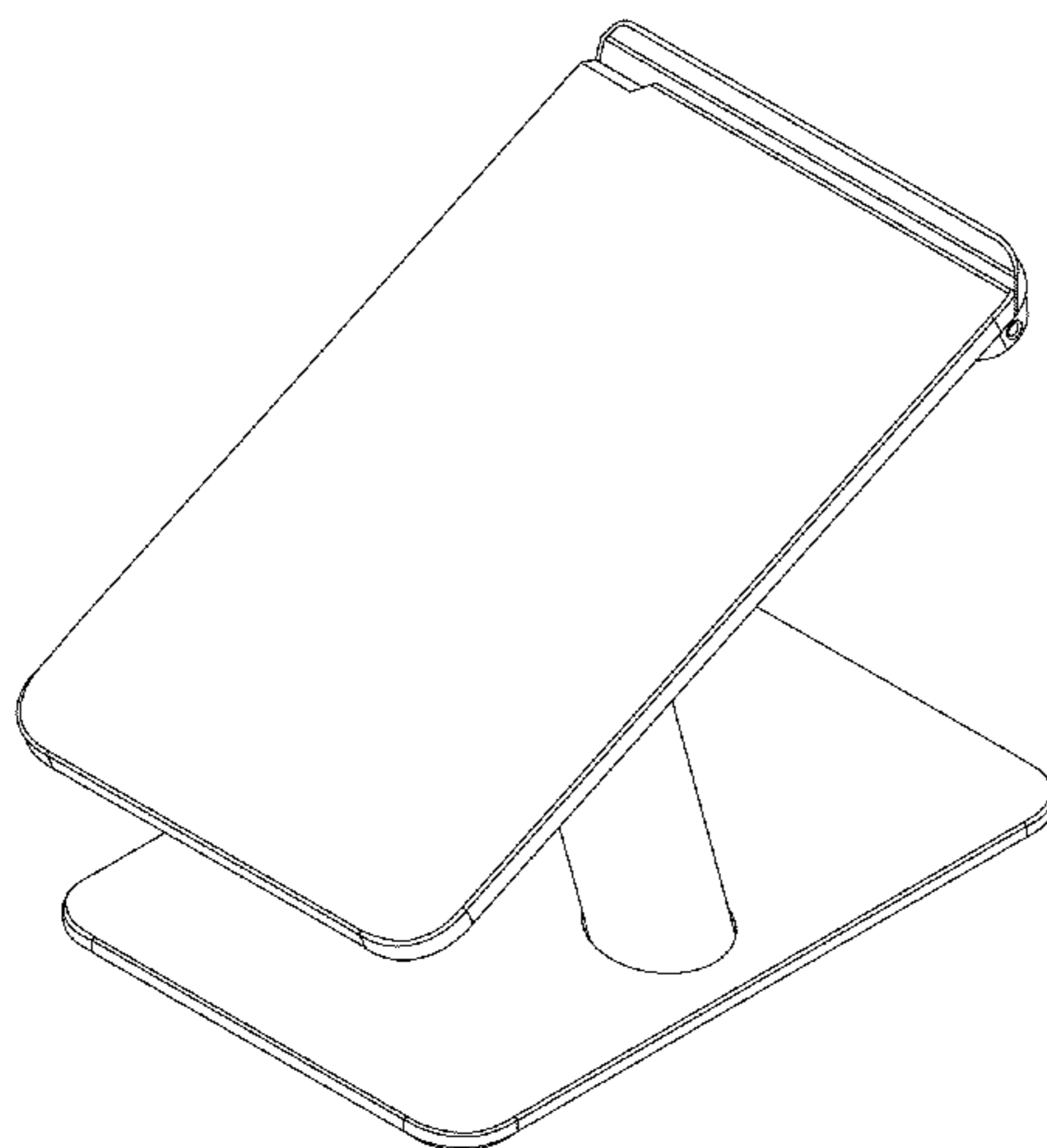
**DESCRIPTION**

FIG. 1 is a top plan view of a first configuration of the  
point-of-sale display showing our new design with the dis-  
play unit portion in a portrait position;  
FIG. 2 is a front view thereof;  
FIG. 3 is a rear view thereof;  
FIG. 4 is a right side view thereof;  
FIG. 5 is a left side view thereof;  
FIG. 6 is a left perspective view thereof; and  
FIG. 7 is a right-rear perspective view thereof.  
FIG. 8 is a top plan view of a second configuration of the  
point-of-sale display, showing the display unit portion in a  
landscape position;  
FIG. 9 is a front view thereof;  
FIG. 10 is a rear view thereof;  
FIG. 11 is a right side view thereof;  
FIG. 12 is a left side view thereof;  
FIG. 13 is a left perspective view thereof; and,  
FIG. 14 is a right-rear perspective view thereof.

The broken lines are included for the purpose of showing  
unclaimed environmental structure only and form no part of  
the claimed design.

The claimed point-of-sale display is used to process transac-  
tions.

**1 Claim, 14 Drawing Sheets**



# US D735,802 S

Page 2

---

(56)

## References Cited

### U.S. PATENT DOCUMENTS

D707,288 S *	6/2014	Branck et al. ....	D18/4.6
2005/0156024 A1 *	7/2005	Ichikawa et al. ....	235/379
2012/0145787 A1 *	6/2012	Lin .....	235/439
D702,230 S *	4/2014	Toh et al. ....	D14/341

\* cited by examiner

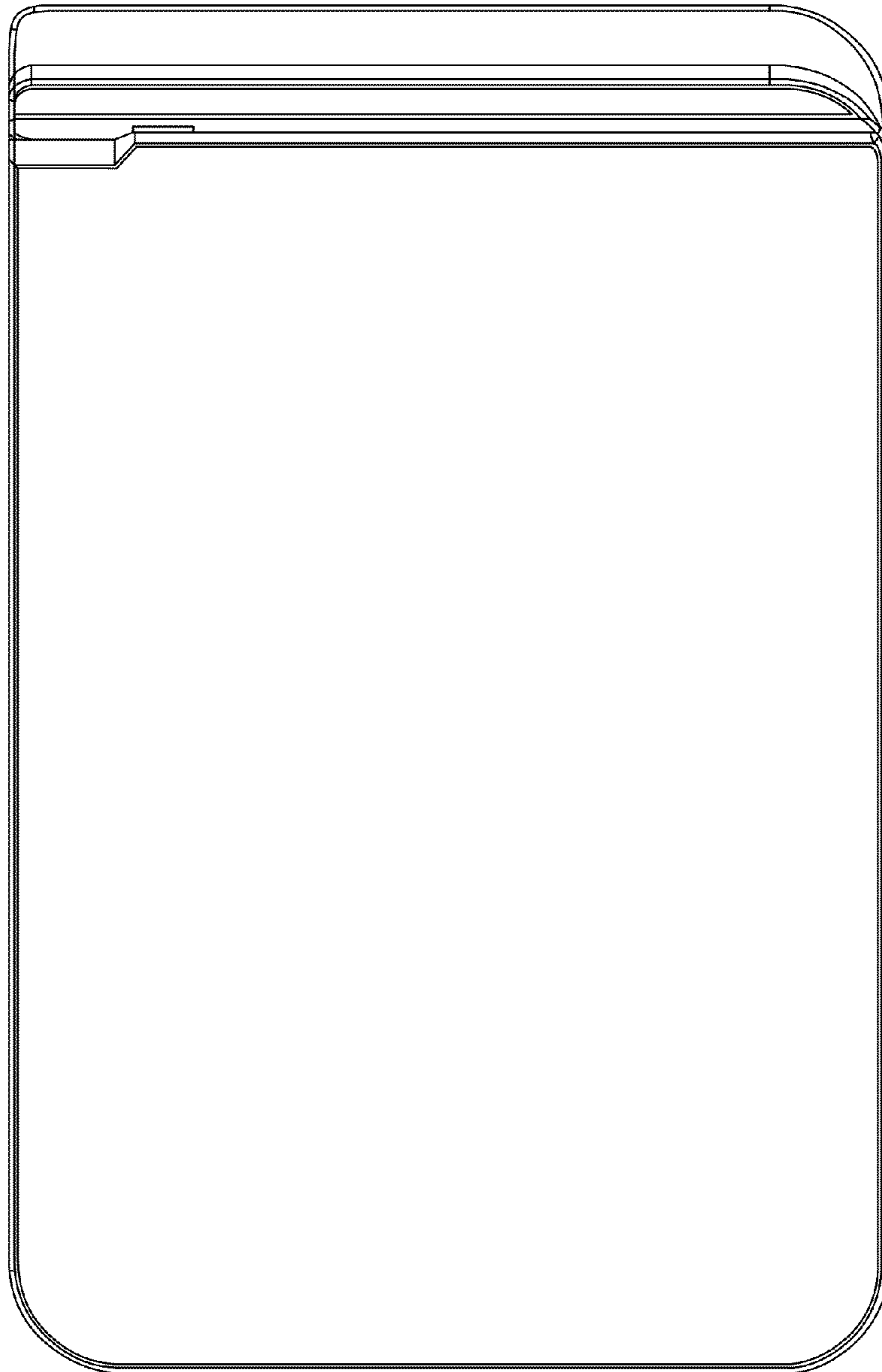


FIG. 1

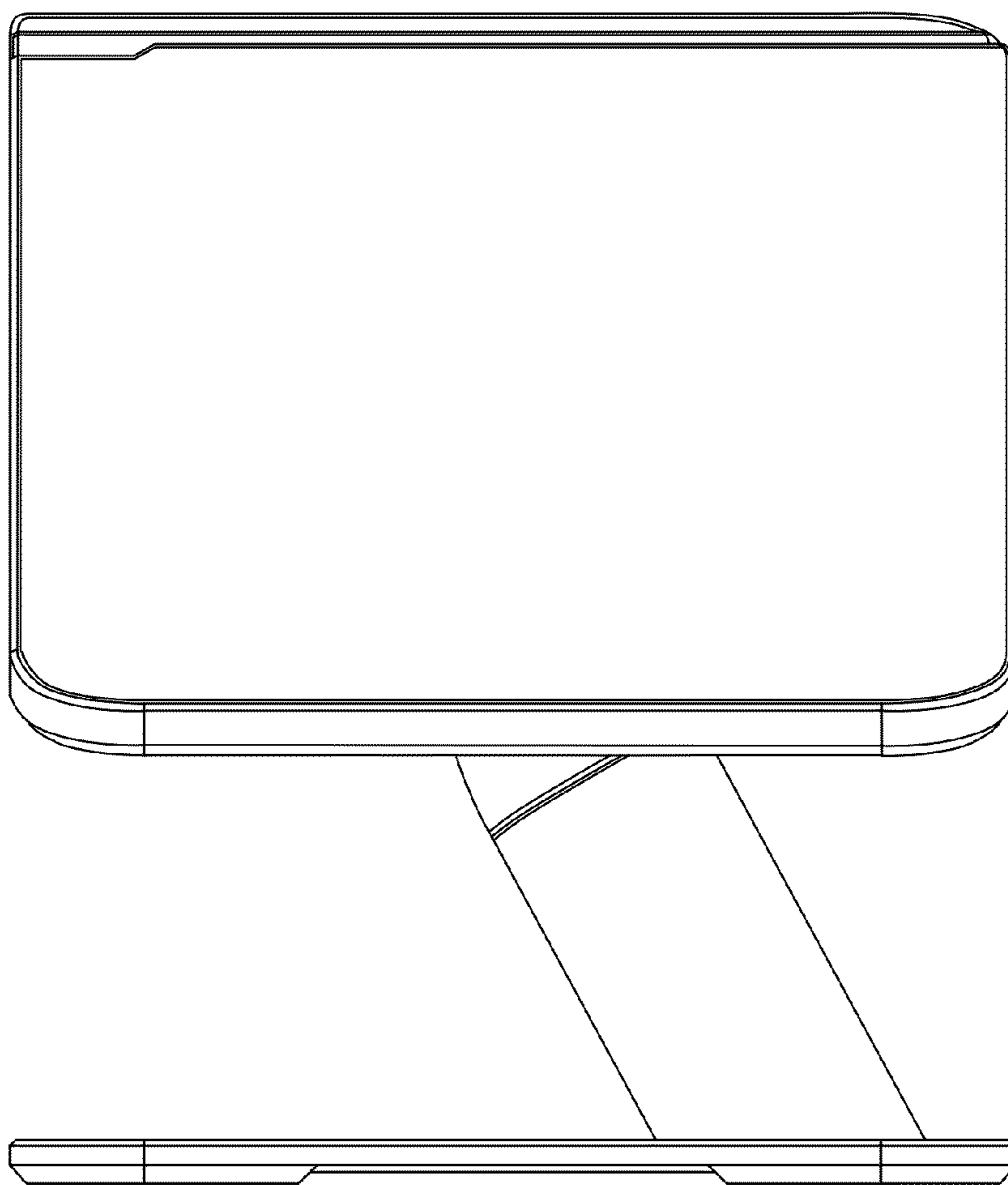


FIG. 2

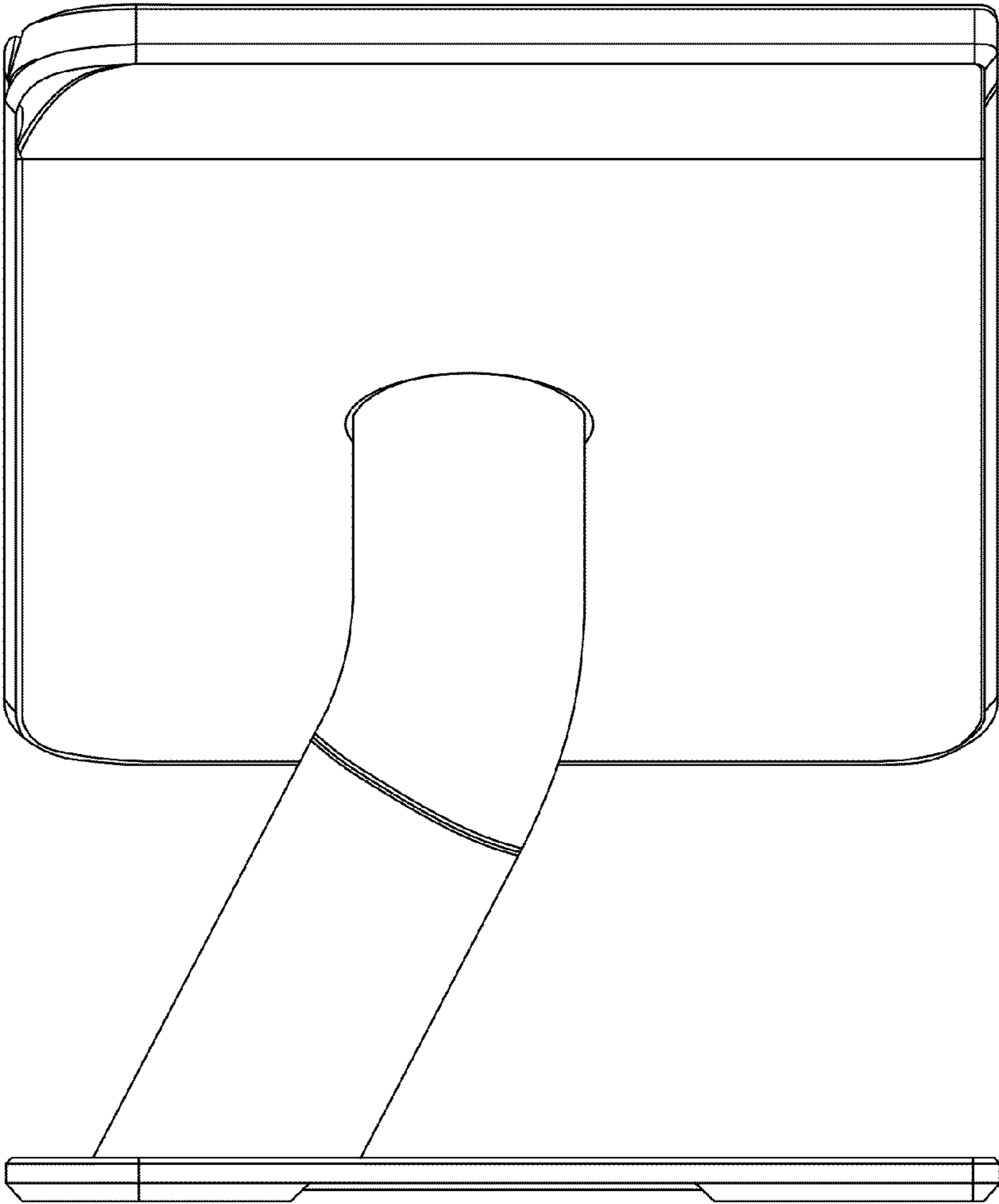


FIG. 3

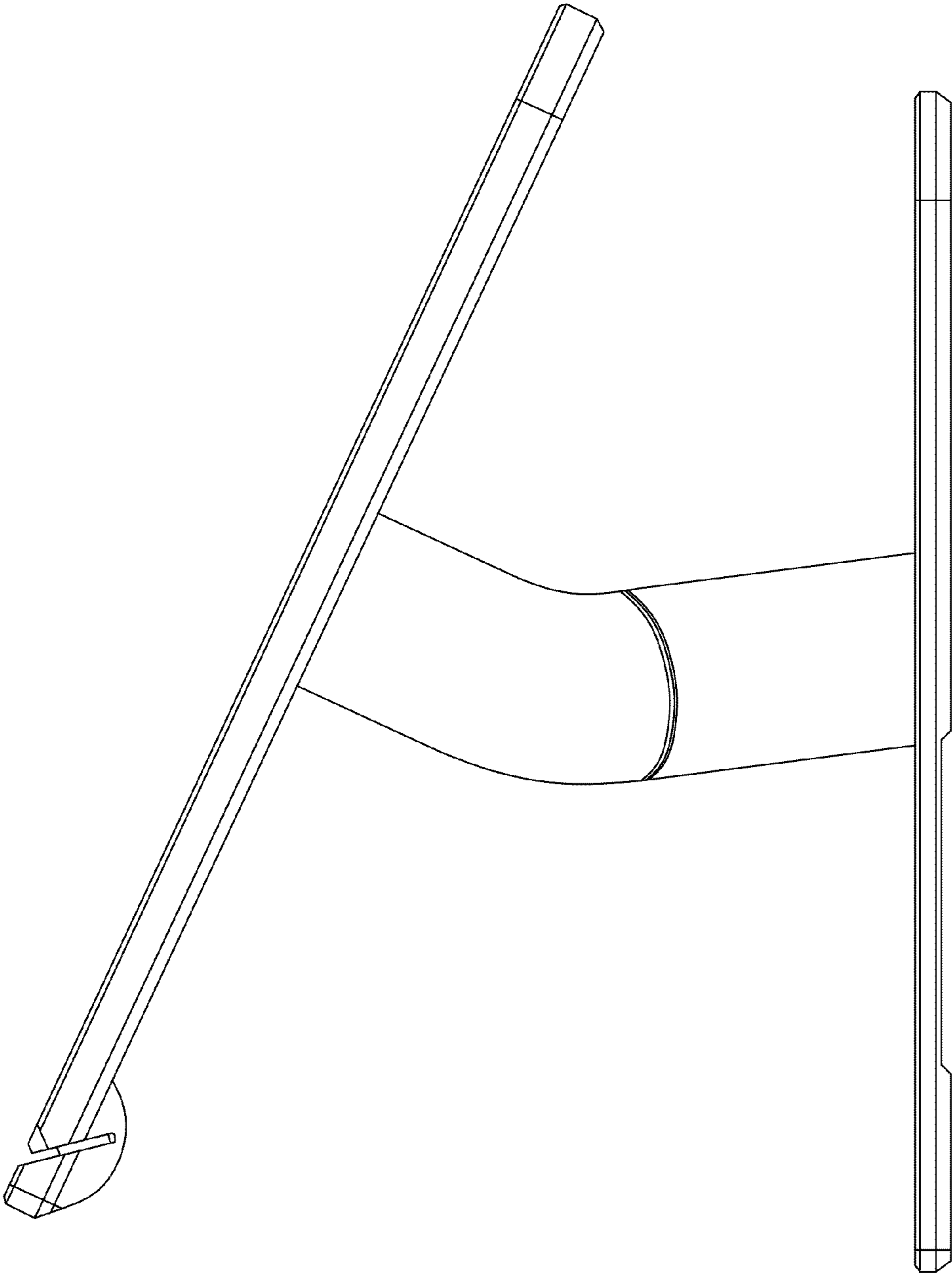


FIG. 4

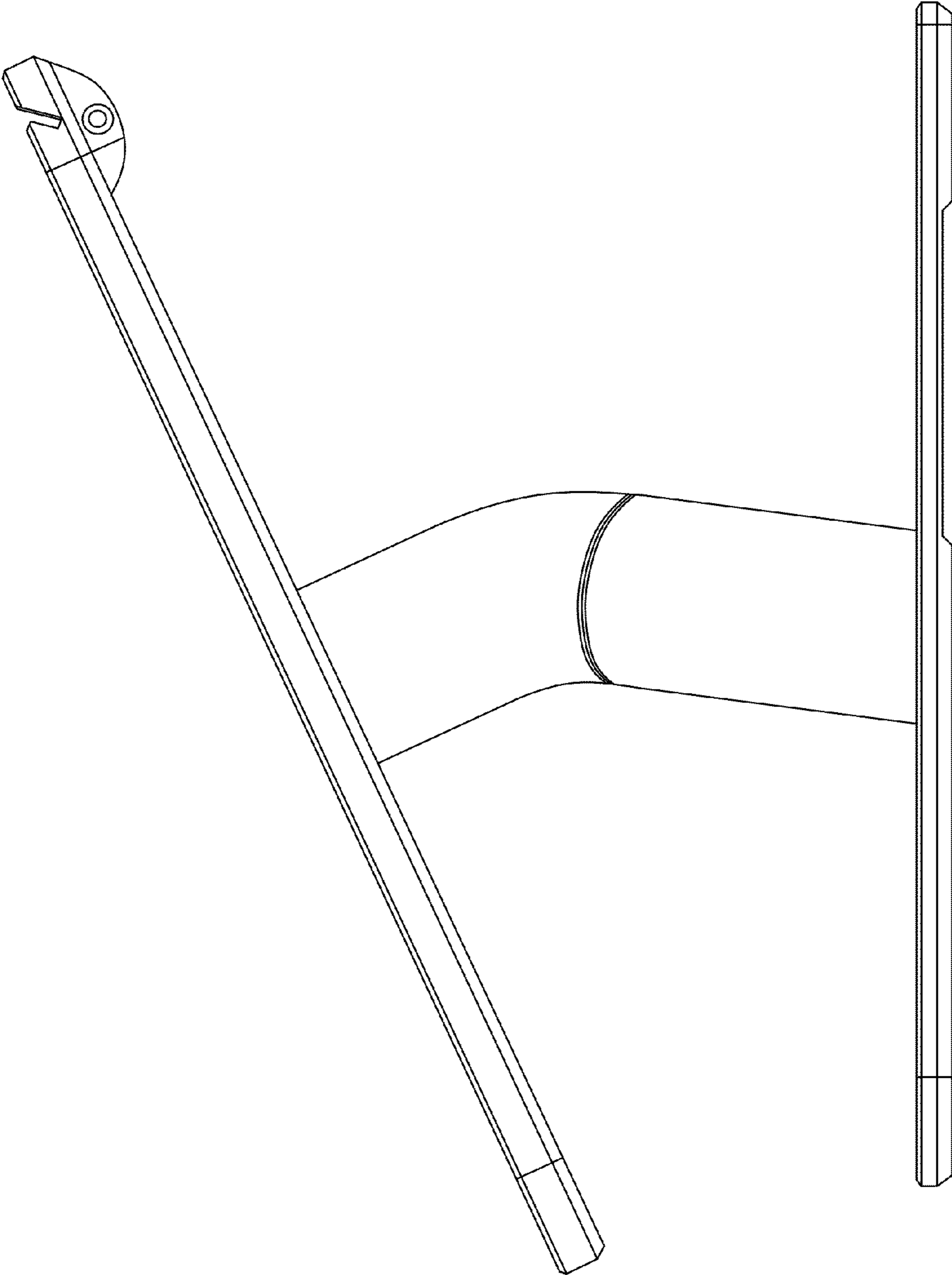


FIG. 5

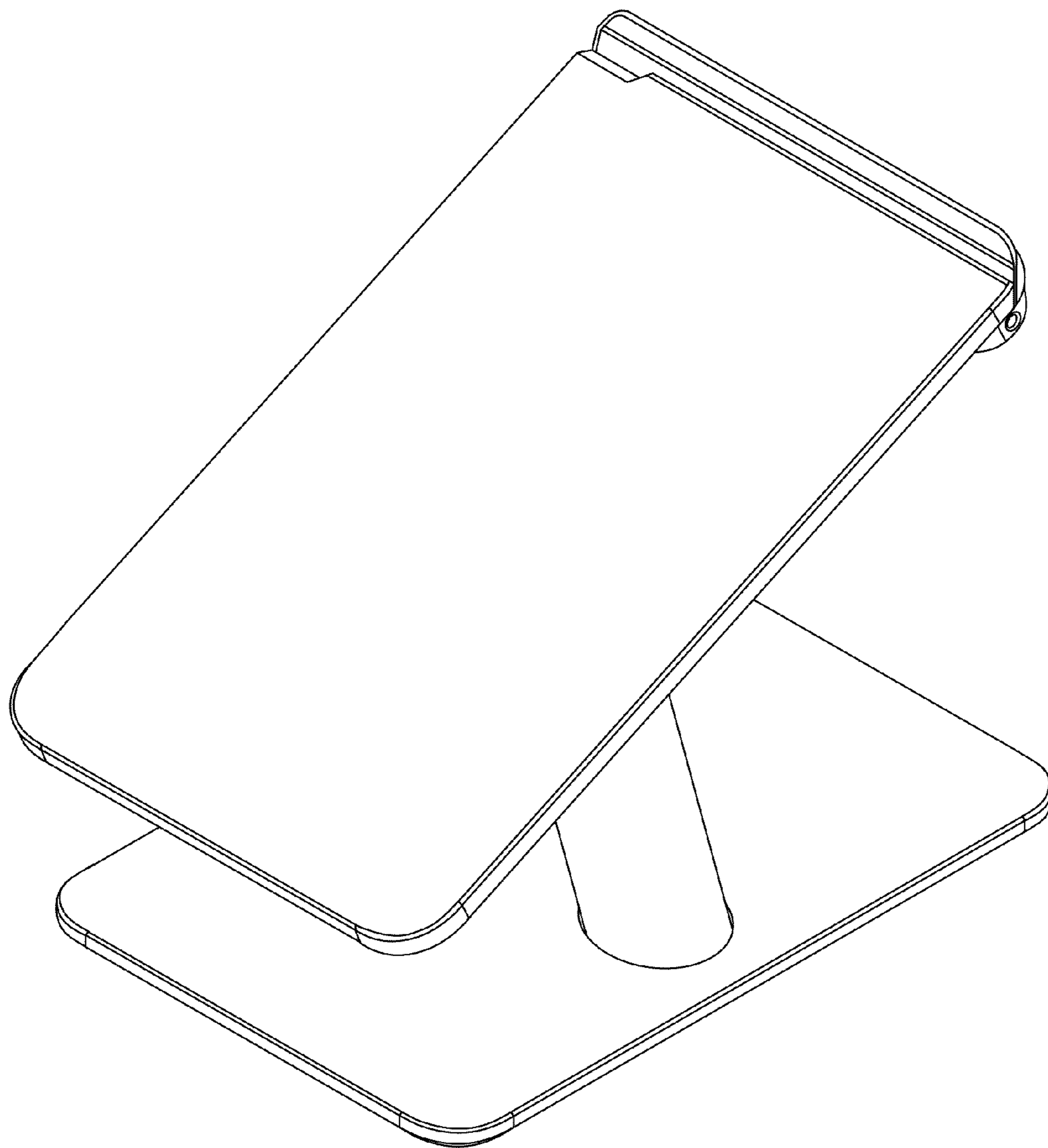


FIG. 6



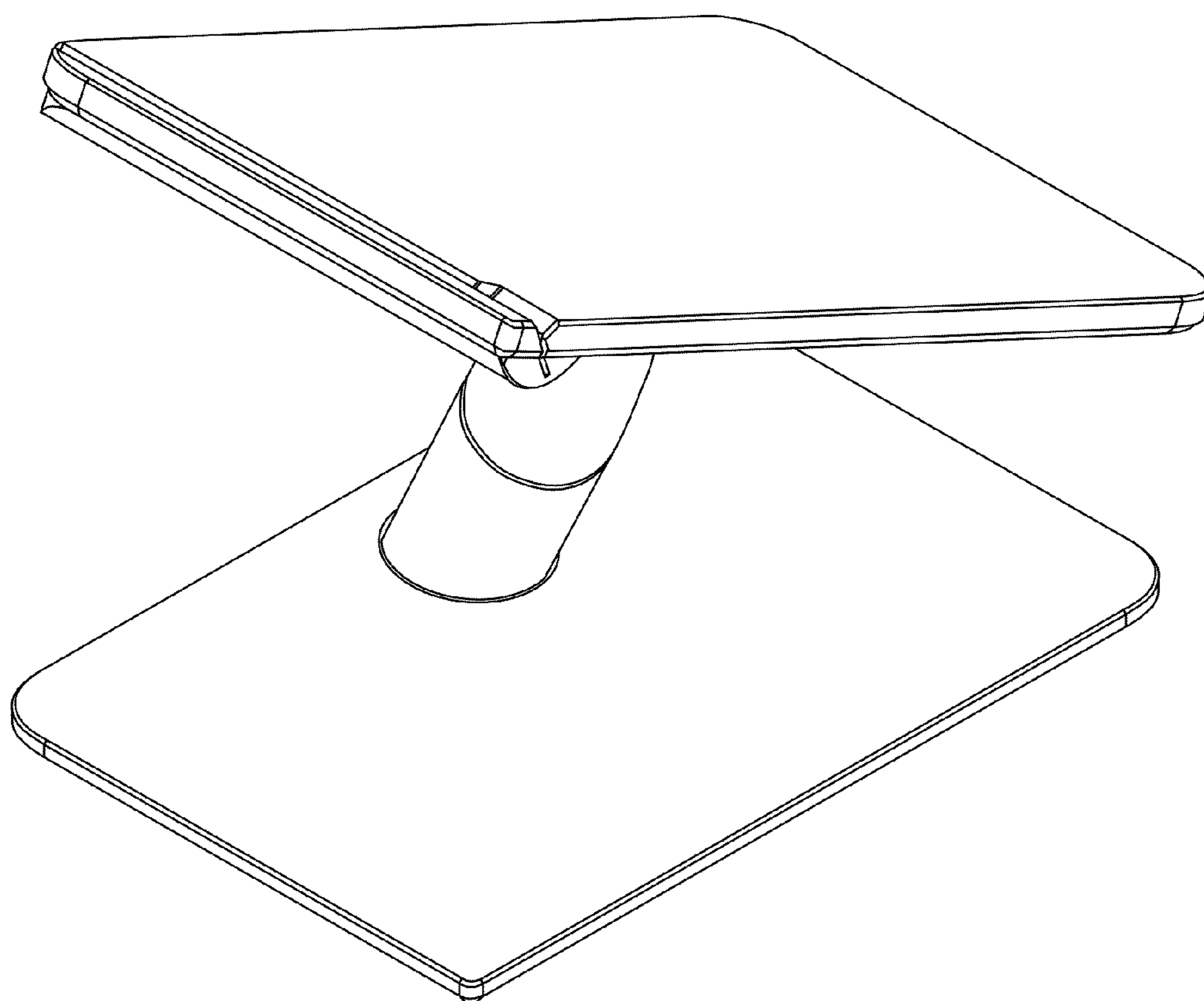


FIG. 7

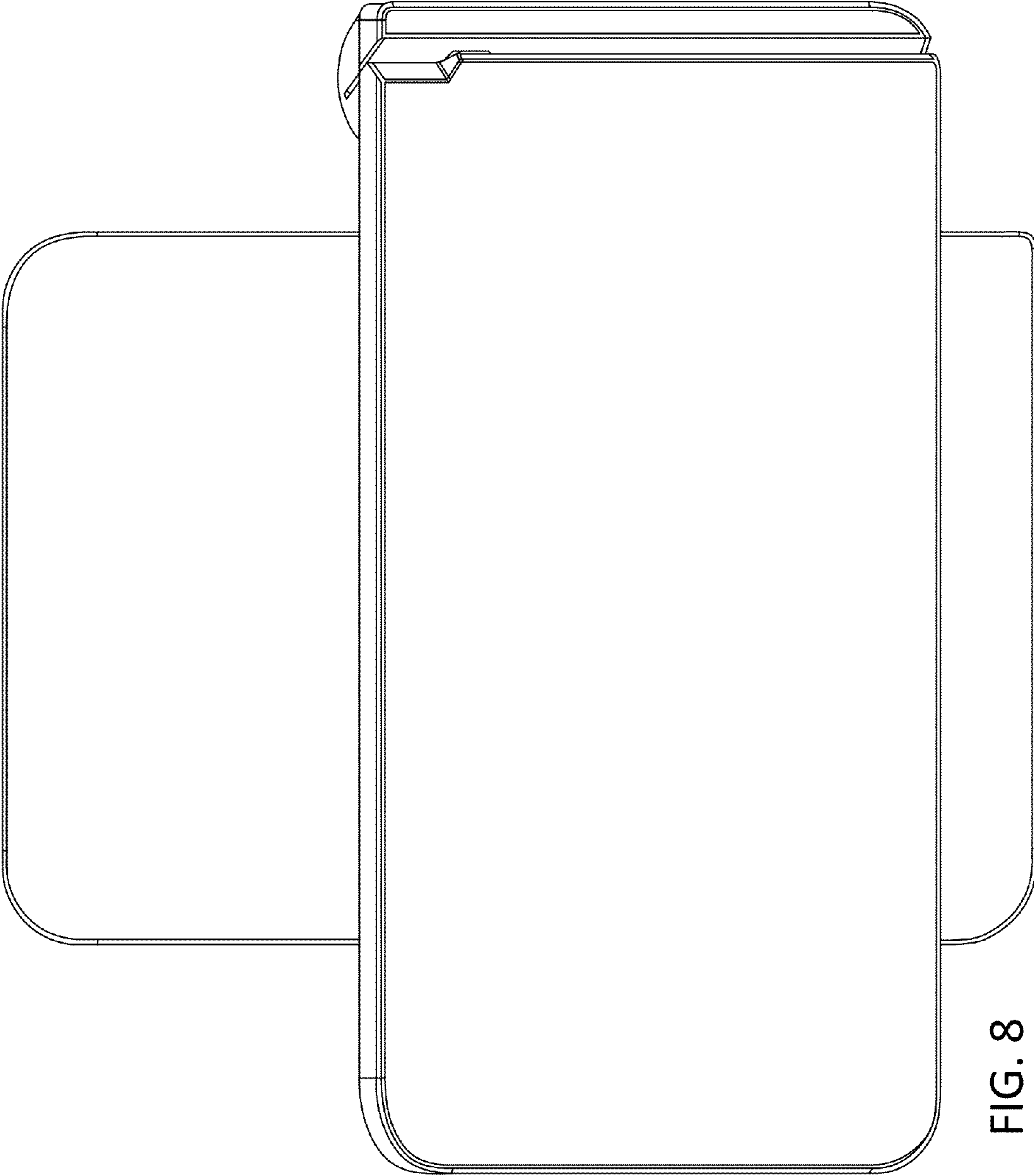


FIG. 8

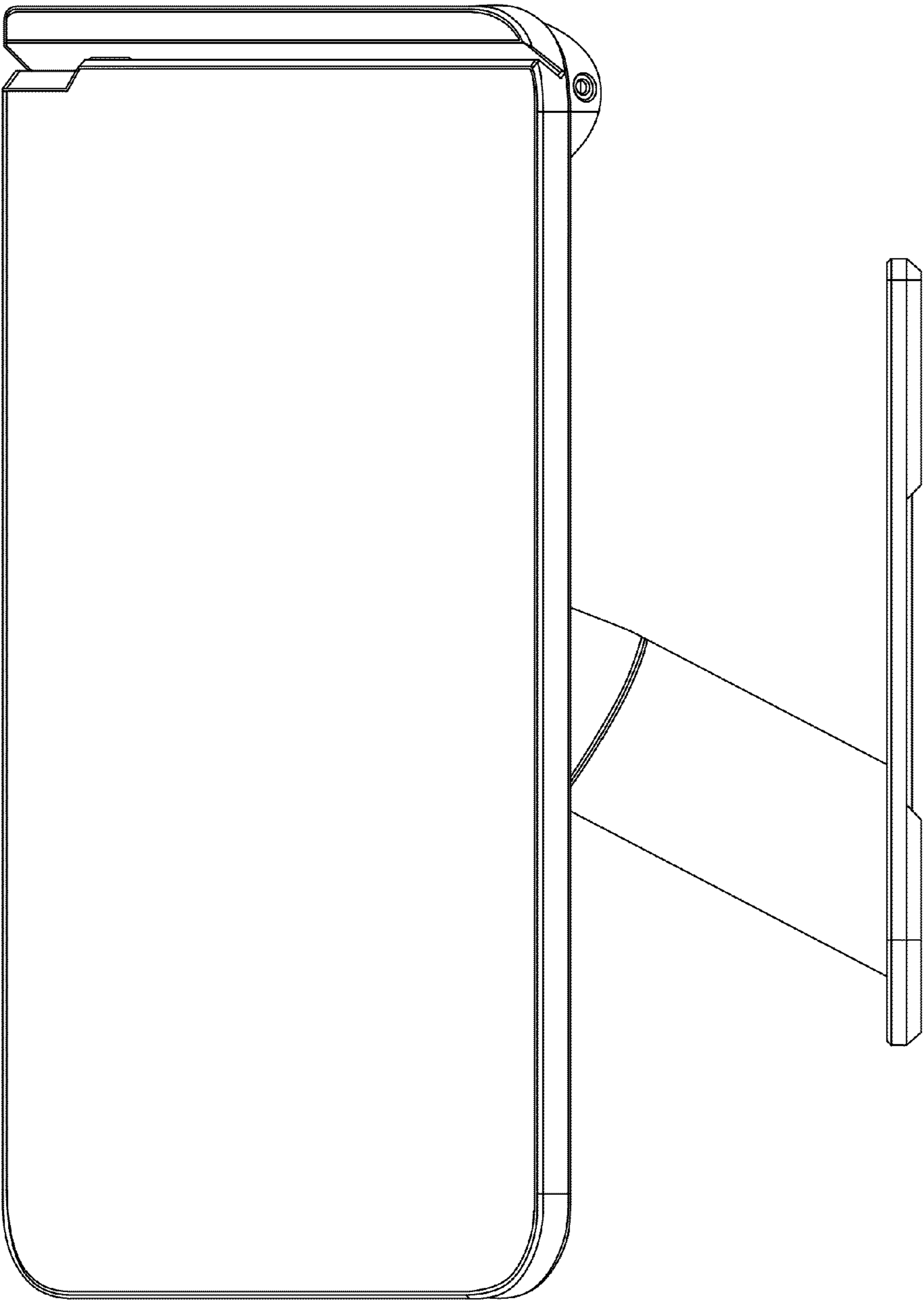


FIG. 9

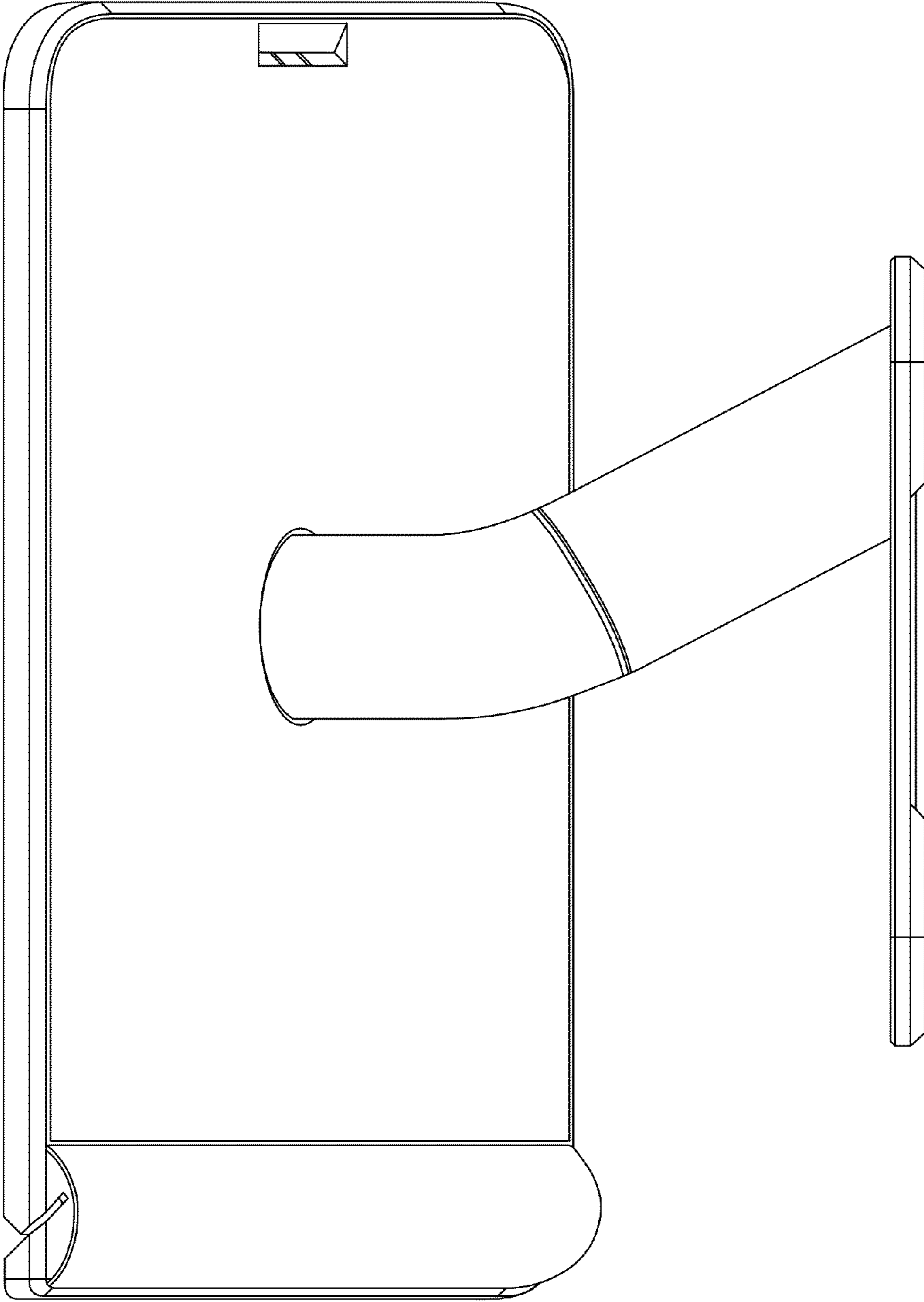


FIG. 10

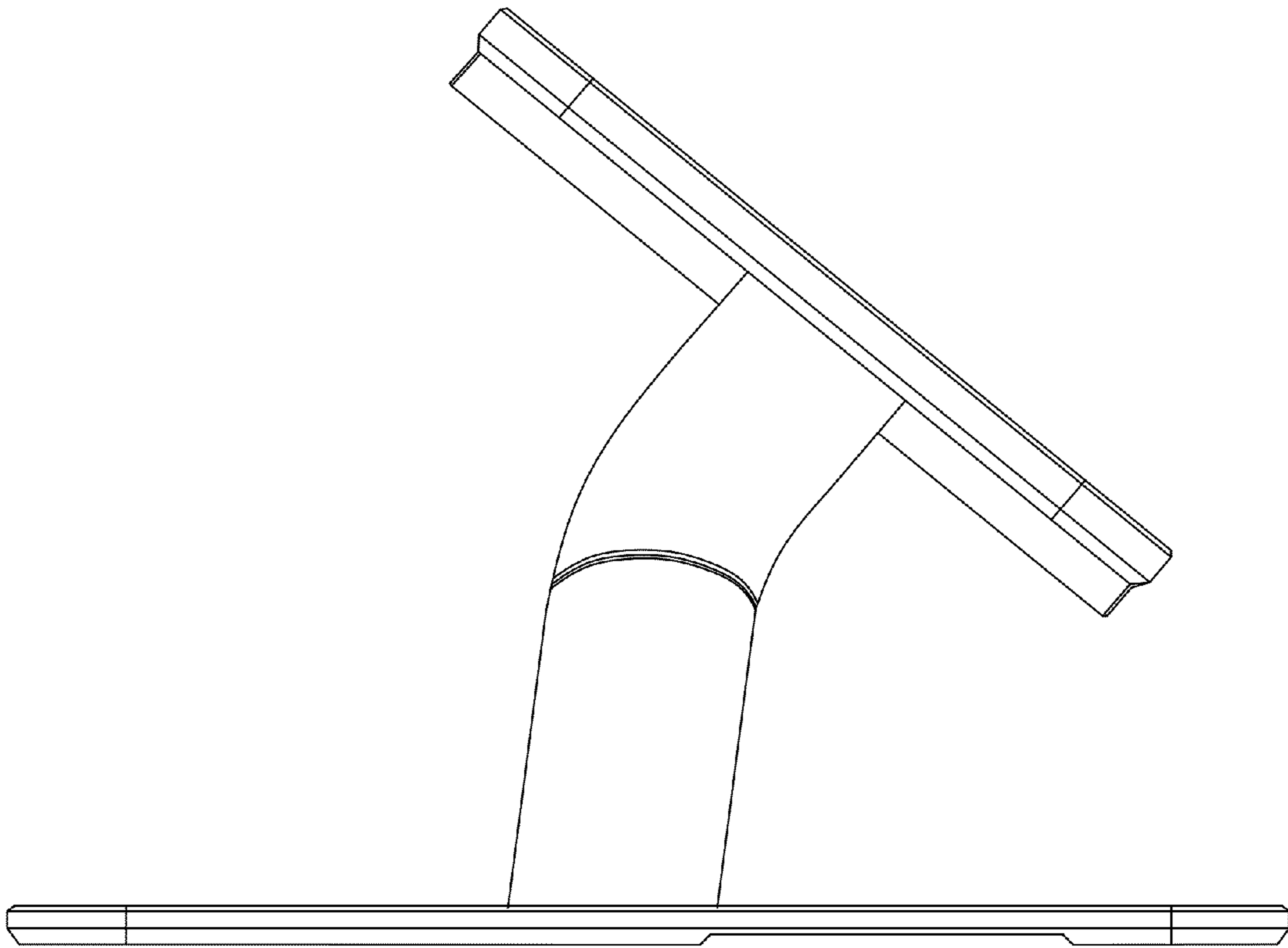


FIG. 11

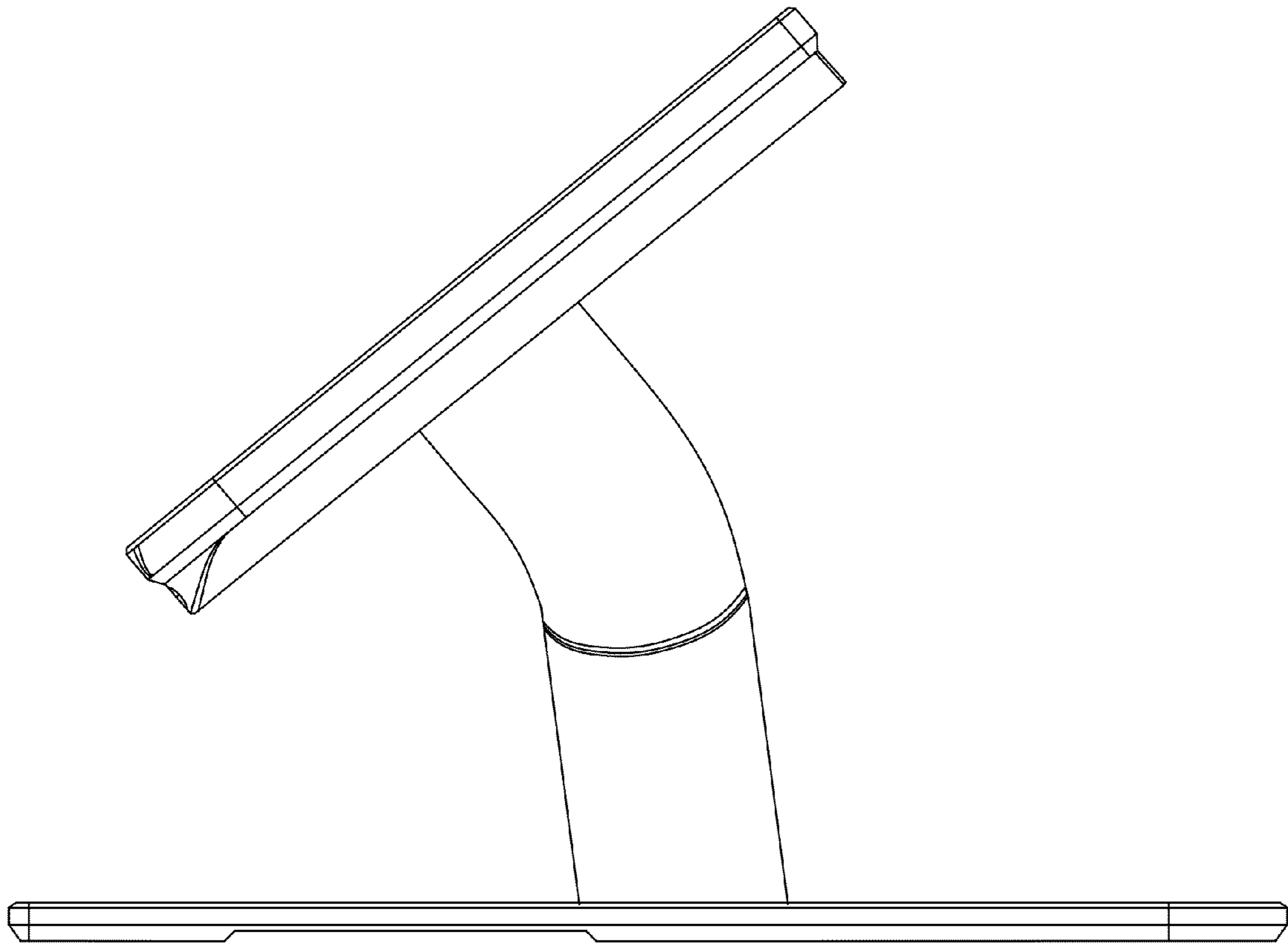


FIG. 12

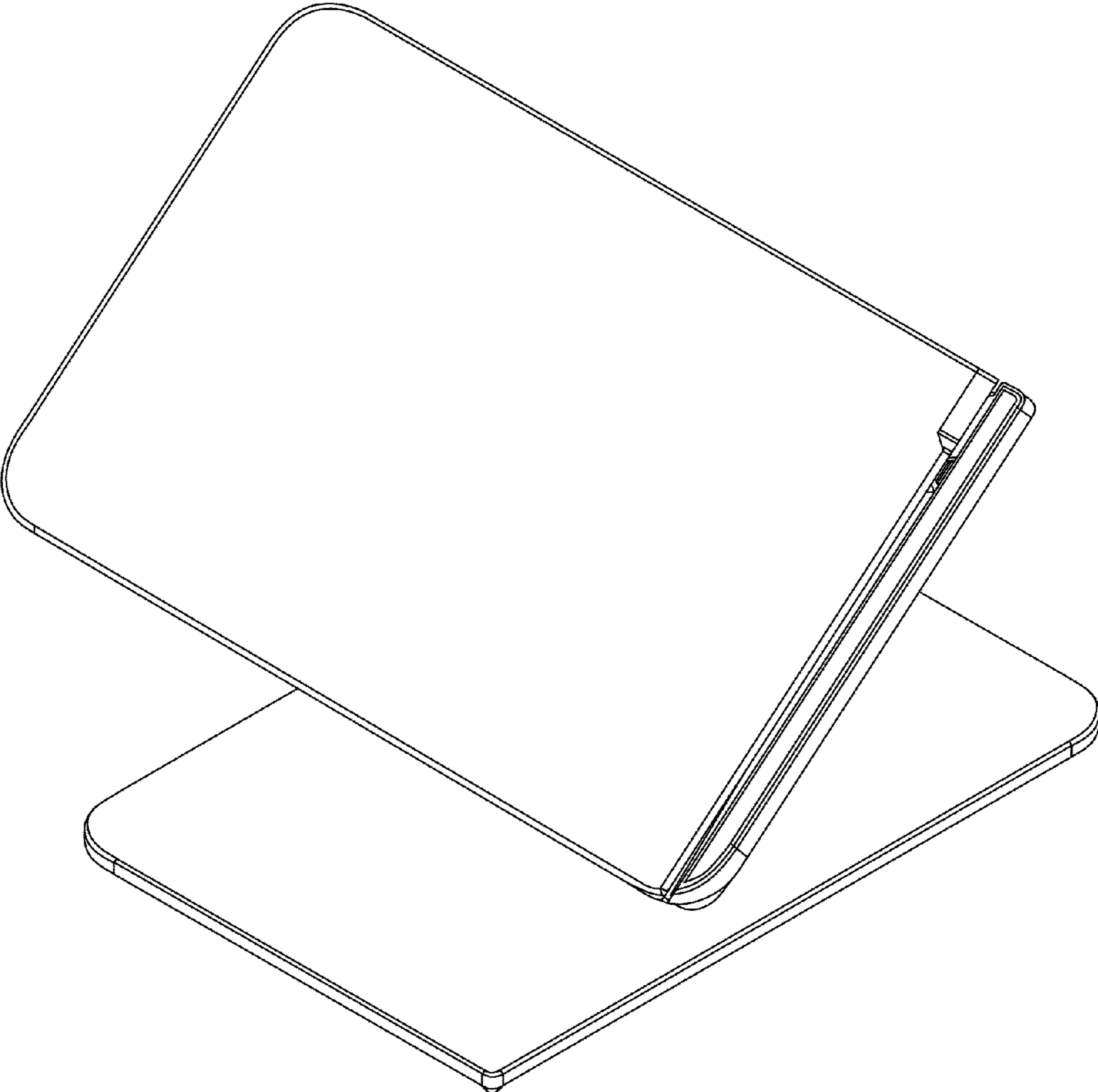


FIG. 13

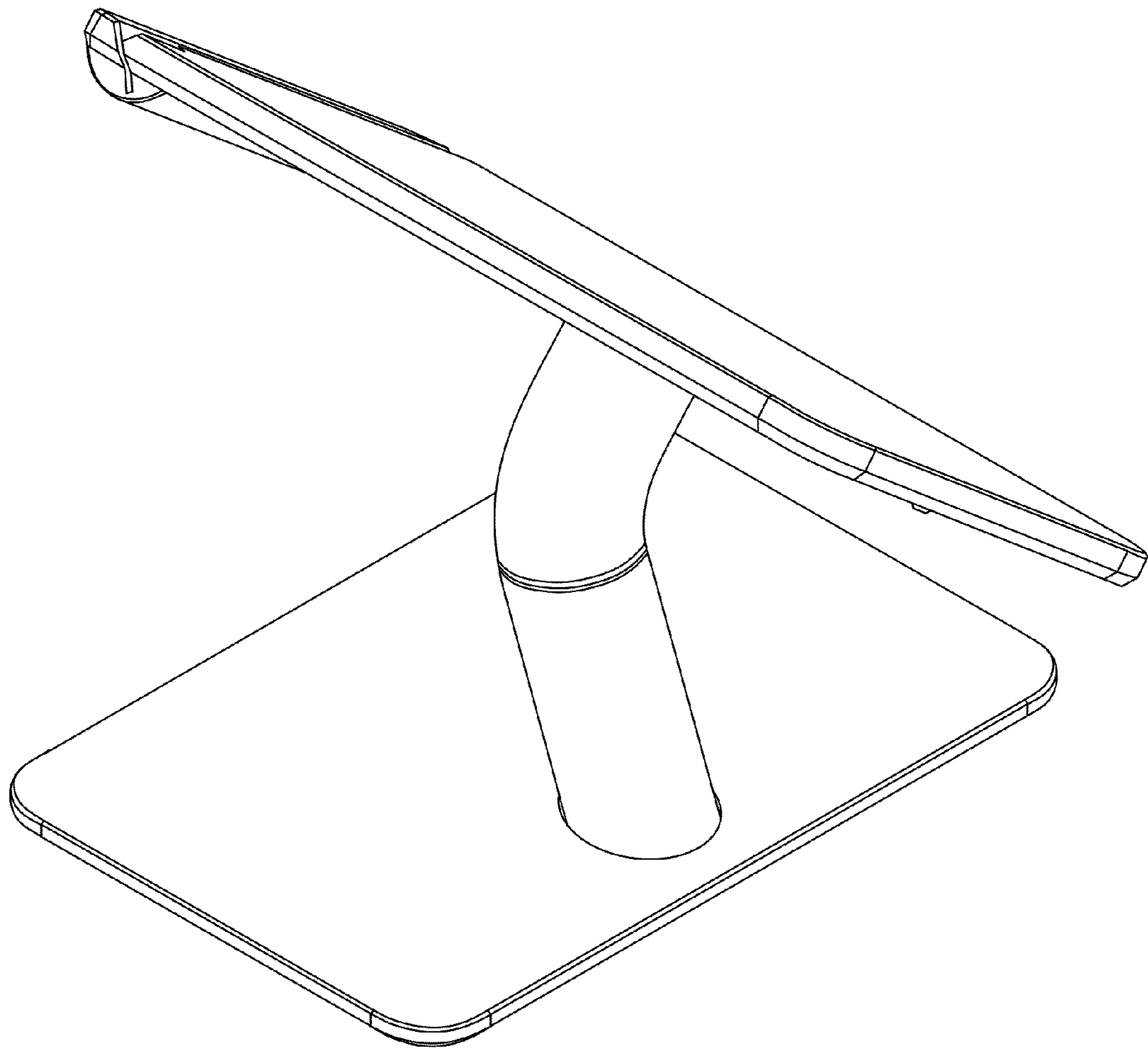


FIG. 14