



US00D735800S

(12) **United States Design Patent**  
**Earley**

(10) **Patent No.:** **US D735,800 S**

(45) **Date of Patent:** **\*\* Aug. 4, 2015**

- (54) **TEMPLE FOR GLASSES**
- (71) Applicant: **William J. Earley**, Watkinsville, GA (US)
- (72) Inventor: **William J. Earley**, Watkinsville, GA (US)
- (73) Assignee: **Tifosi Optics, Inc.**, Watkinsville, GA (US)
- (\*\*) Term: **14 Years**
- (21) Appl. No.: **29/473,180**
- (22) Filed: **Nov. 19, 2013**
- (51) **LOC (10) Cl.** ..... **16-06**
- (52) **U.S. Cl.**  
USPC ..... **D16/335**
- (58) **Field of Classification Search**  
USPC ..... D16/101, 300-342, 900; D29/109-110;  
351/41, 44, 51-52, 62, 158, 92,  
351/103-123, 140-153, 63, 59, 45-46;  
2/426-432, 447-449, 441, 434-437,  
2/13, 15; D21/483, 659-661; D14/372  
CPC ..... G02C 2200/08; G02C 1/06; G02C 5/14;  
G02C 5/16  
See application file for complete search history.

8,292,425	B2 *	10/2012	Takeshi	.....	351/110
D689,116	S *	9/2013	Chen	.....	D16/311
D697,548	S *	1/2014	Earley	.....	D16/326
D698,853	S *	2/2014	Lee et al.	.....	D16/311
D704,250	S *	5/2014	Miera	.....	D16/313
D710,432	S *	8/2014	Votel et al.	.....	D16/326
D727,405	S *	4/2015	Damin et al.	.....	D16/326

\* cited by examiner

*Primary Examiner* — Raphael Barkai

(74) *Attorney, Agent, or Firm* — Smith Risely Tempel Santos LLC; Gregory Scott Smith

(57) **CLAIM**

The ornamental design for a temple for glasses, as shown and described.

**DESCRIPTION**

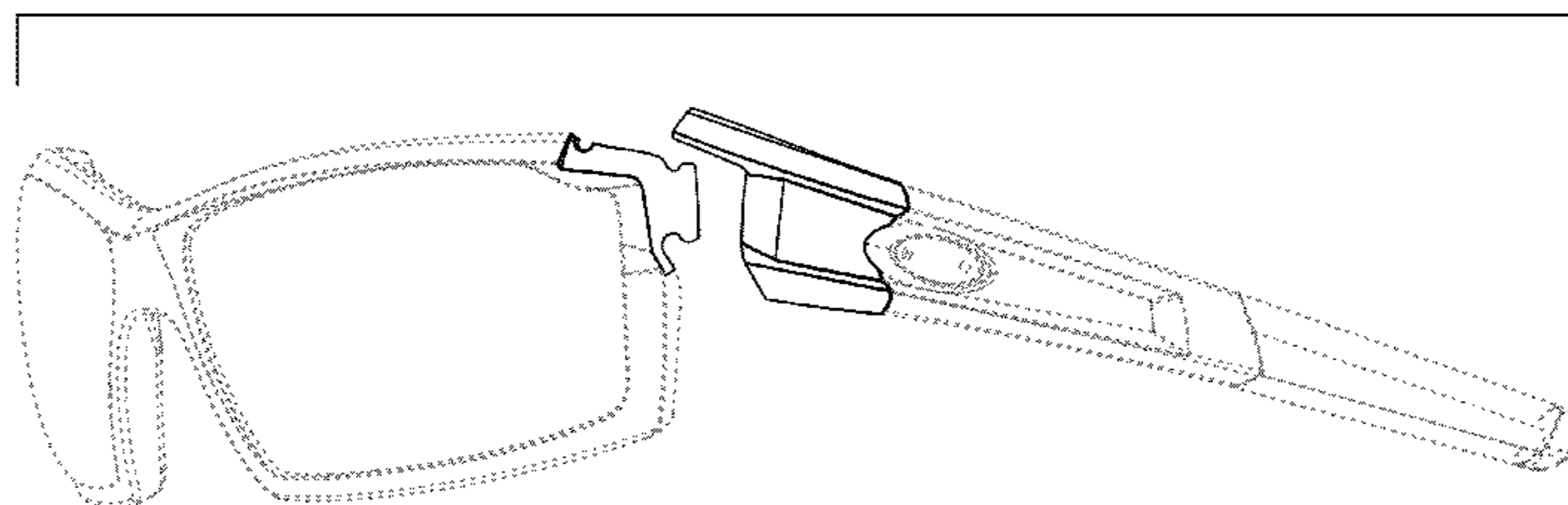
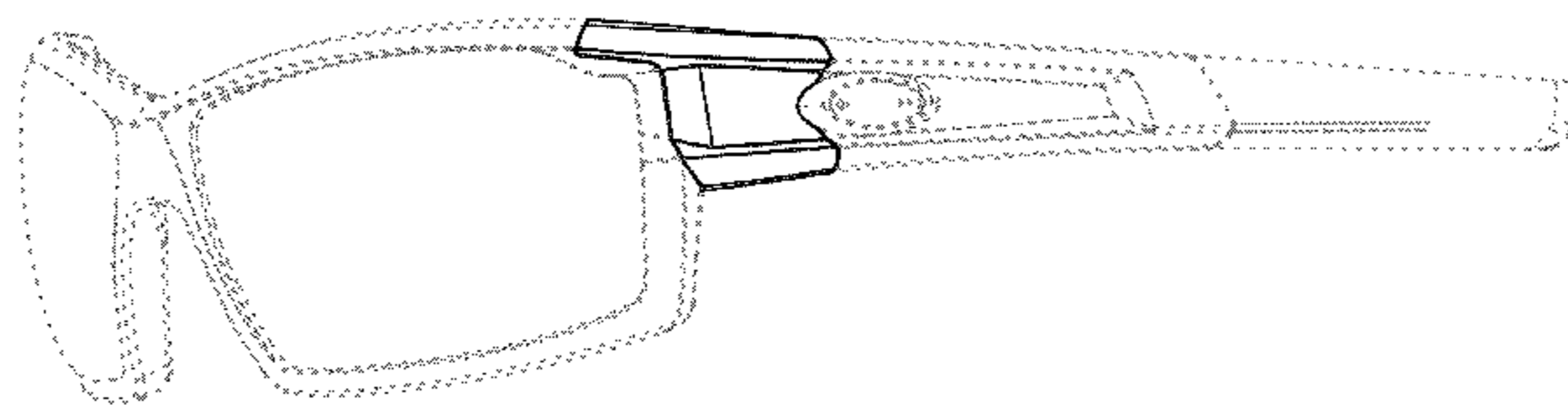
FIG. 1 is top plan view of a temple for glasses;  
 FIG. 2 is a bottom plan view of a temple for glasses;  
 FIG. 3 is a rear elevation view of a temple for glasses;  
 FIG. 4 is a front elevation view of a temple for glasses;  
 FIG. 5 is a right side perspective view of a temple for glasses, the left side view being a mirrored image;  
 FIG. 6 is a right side perspective view of a temple for glasses as viewed from the inside of the glasses, the left side view being a mirrored image;  
 FIG. 7 is a right side elevation view of a temple for glasses, the left side view being a mirrored image; and  
 FIG. 8 is right side elevation view of a temple for glasses as seen in view 8-8 of FIG. 1, the left side view being a mirrored image;  
 FIG. 9 is a right side elevation exploded view of the components of a temple for glasses, the left side view being a mirrored image; and  
 FIG. 10 is a right side elevation exploded view showing a temple for glasses as viewed from the inside of the glasses, the left side view being a mirrored image.  
 The broken and grayed lines throughout the drawings form no part of the claim.

**1 Claim, 10 Drawing Sheets**

(56) **References Cited**

U.S. PATENT DOCUMENTS

4,998,815	A *	3/1991	Lin	.....	351/106
5,642,178	A *	6/1997	Leonardi et al.	.....	351/111
5,898,469	A *	4/1999	Wang	.....	351/86
D554,689	S *	11/2007	Jannard et al.	.....	D16/326
D604,759	S *	11/2009	Rohrbach et al.	.....	D16/326
D648,771	S *	11/2011	Rohrbach	.....	D16/326
D649,579	S *	11/2011	Thixton	.....	D16/321
D652,442	S *	1/2012	Yee et al.	.....	D16/326
D658,706	S *	5/2012	Sheldon	.....	D16/326
D661,339	S *	6/2012	Thixton et al.	.....	D16/321
D663,764	S *	7/2012	Serlenga	.....	D16/326
D664,183	S *	7/2012	Stepan et al.	.....	D16/309



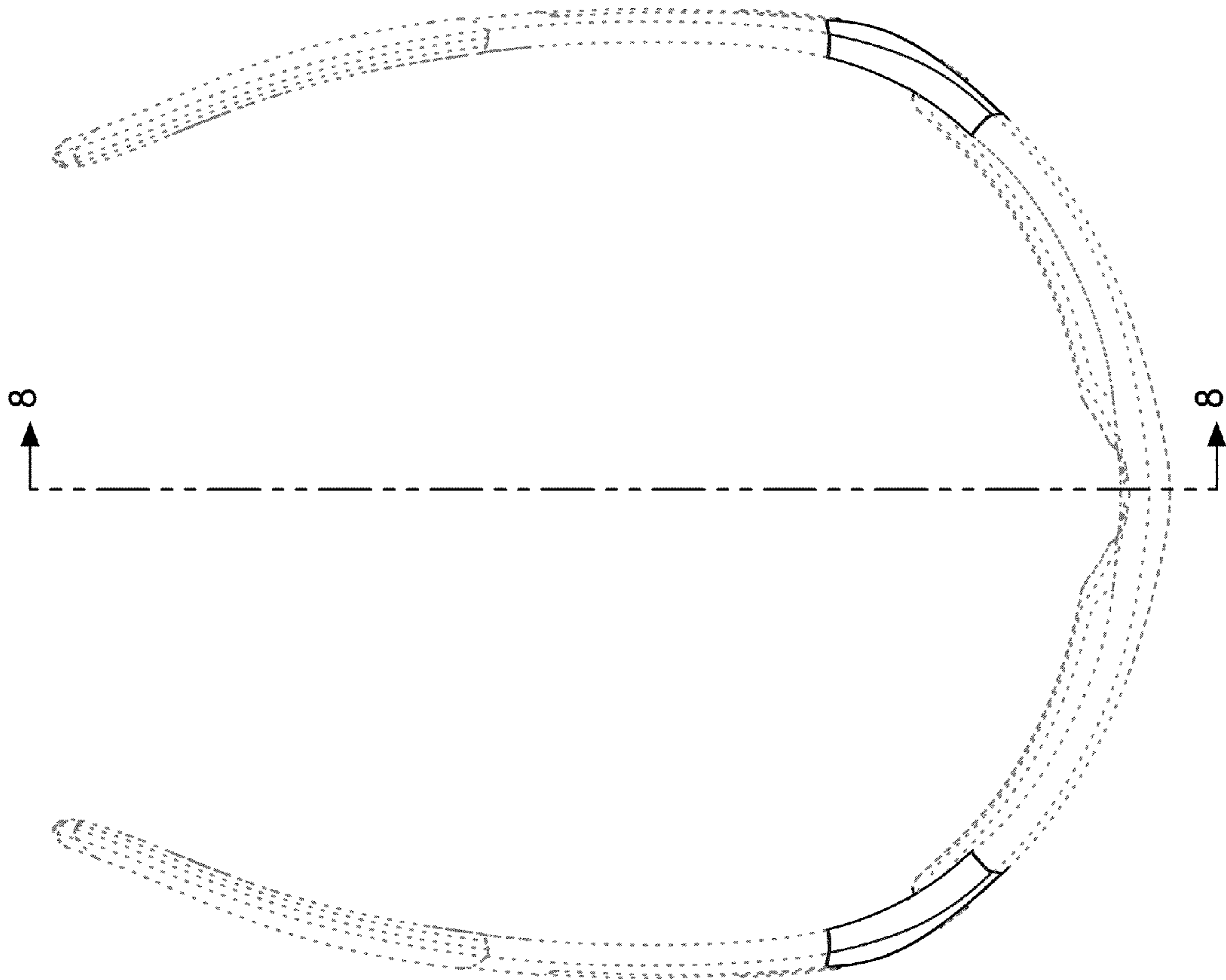


FIG. 1

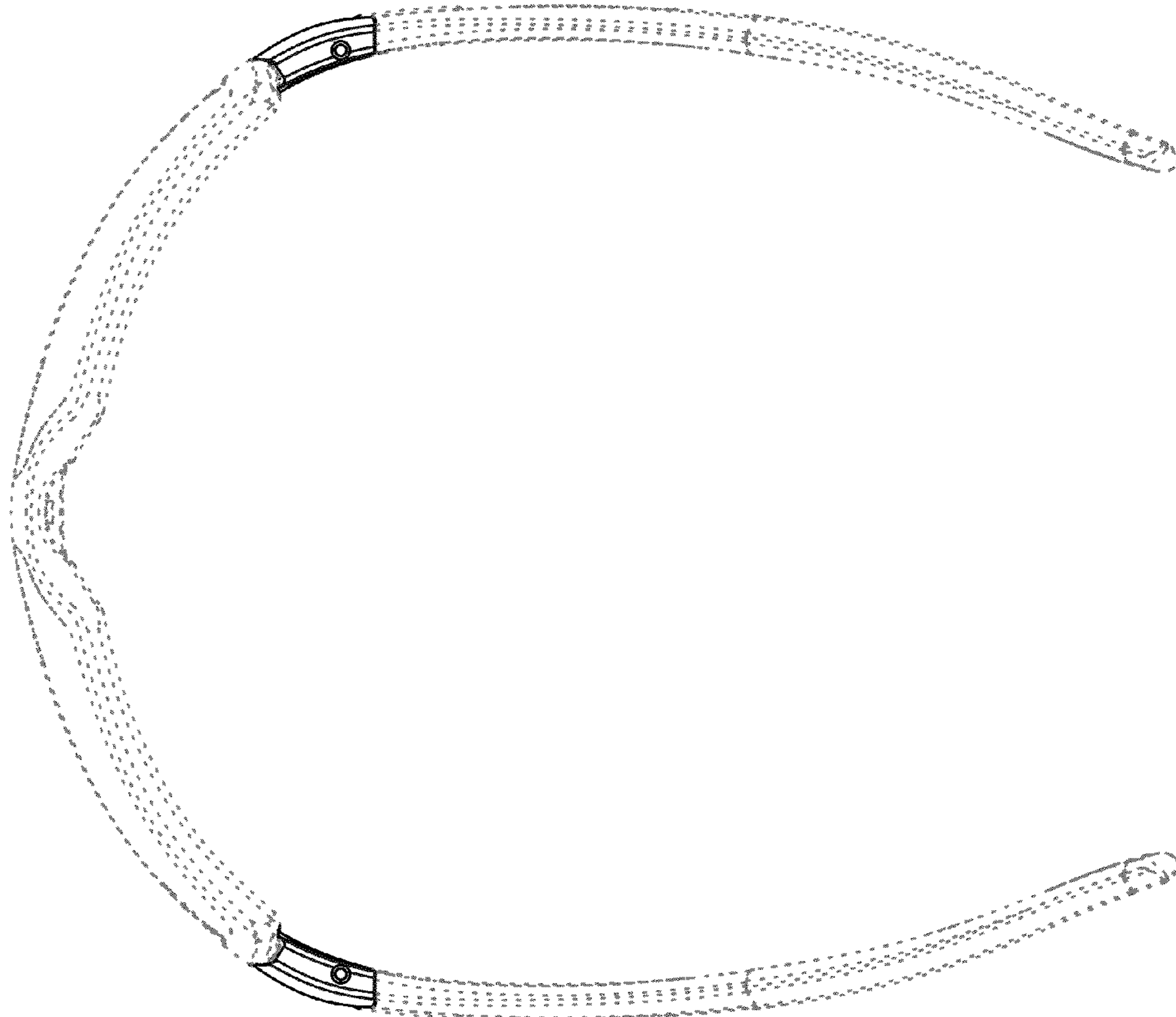


FIG. 2

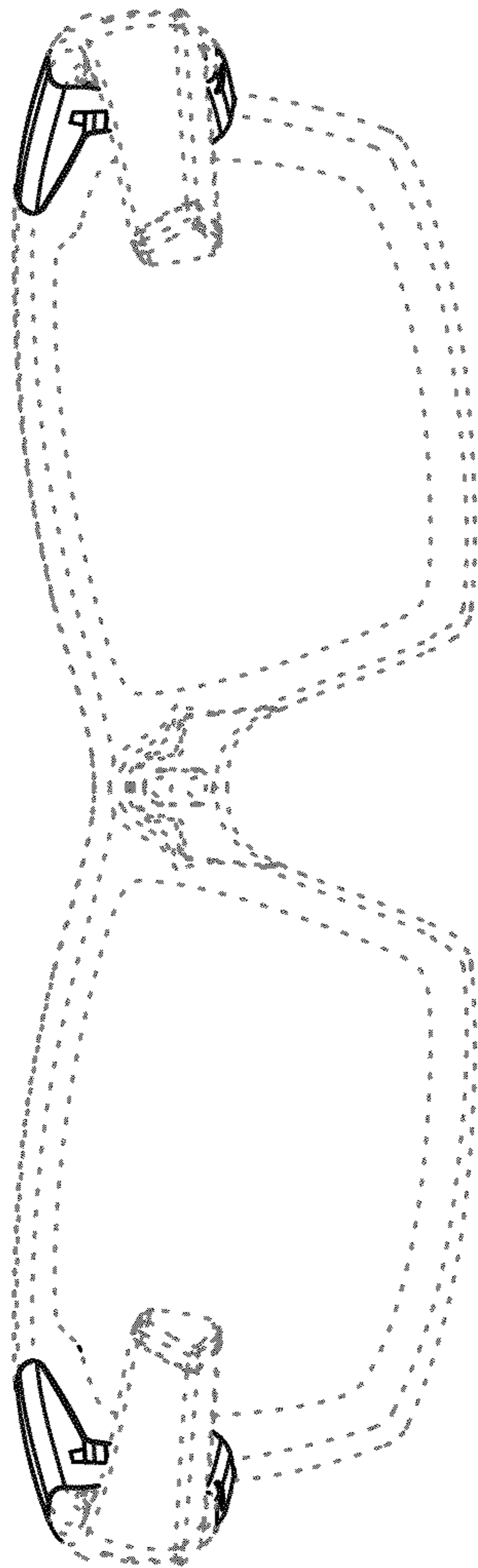


FIG. 3

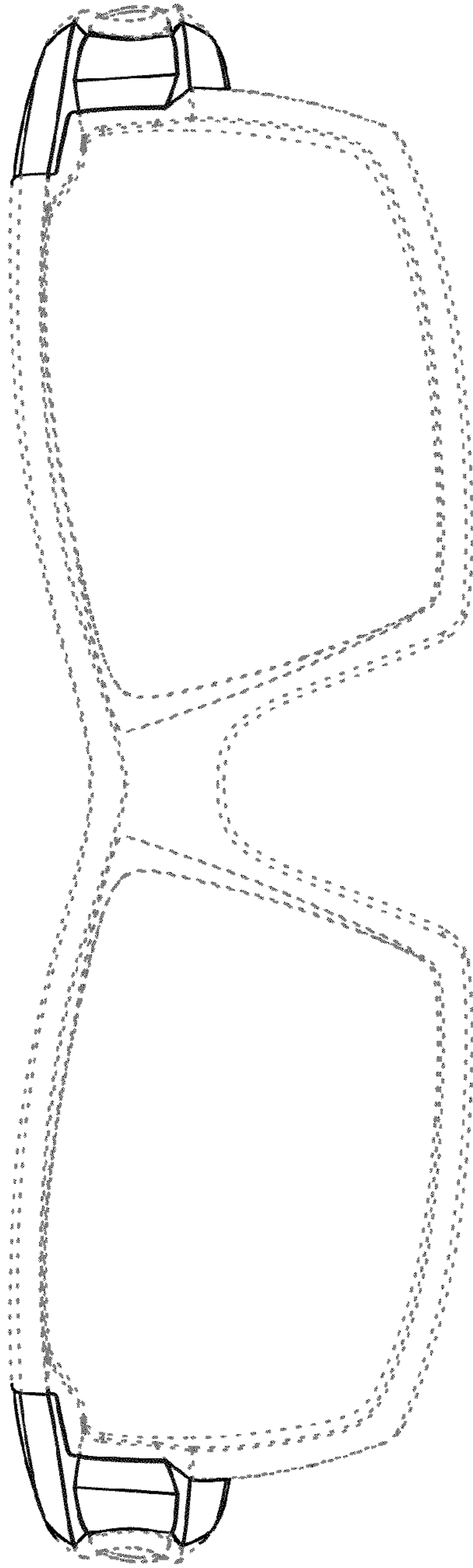


FIG. 4

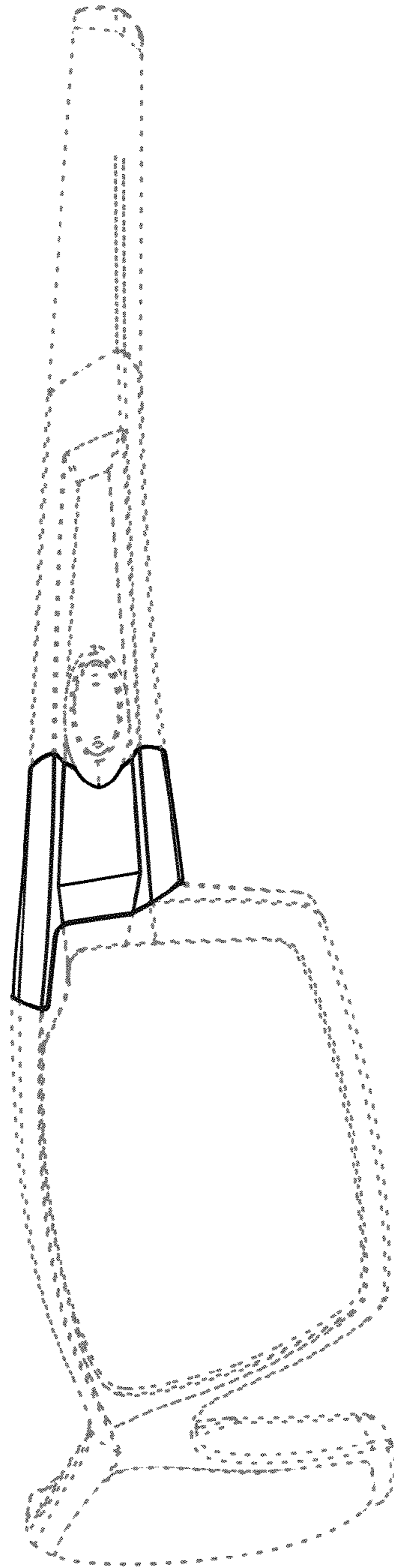


FIG. 5

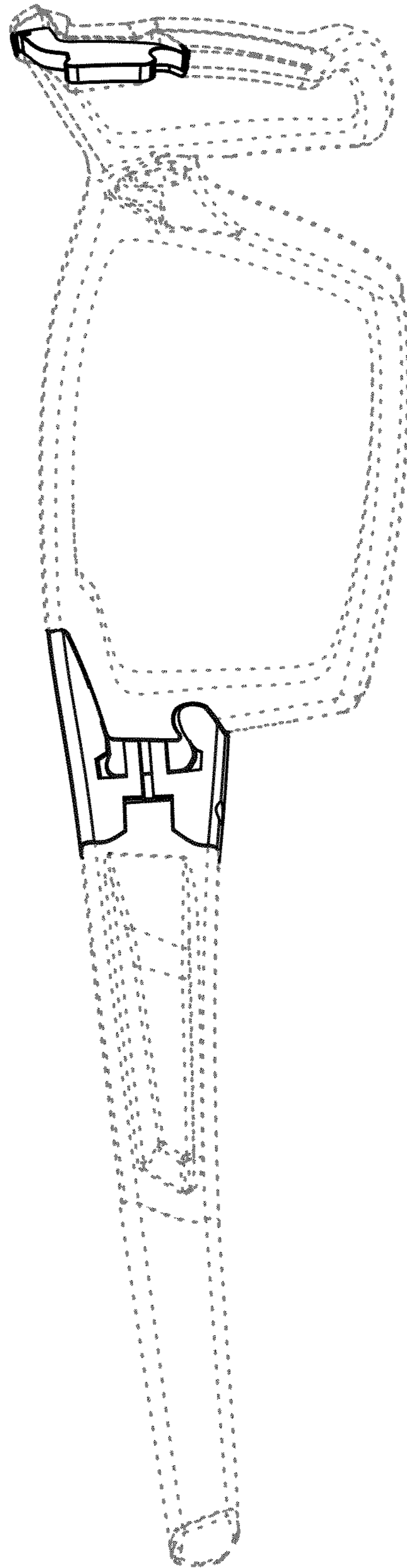


FIG. 6

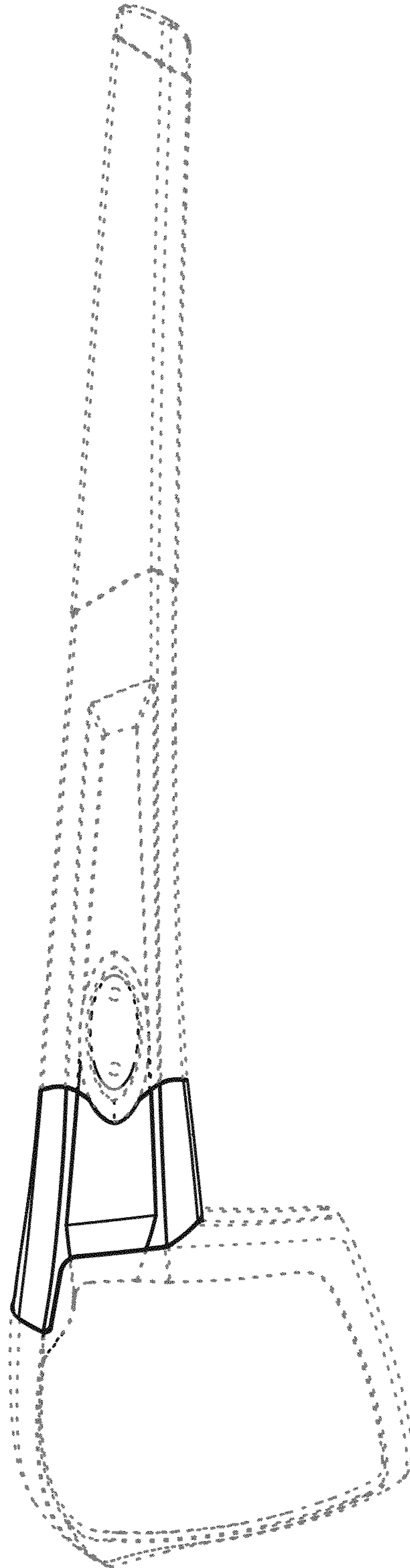


FIG. 7



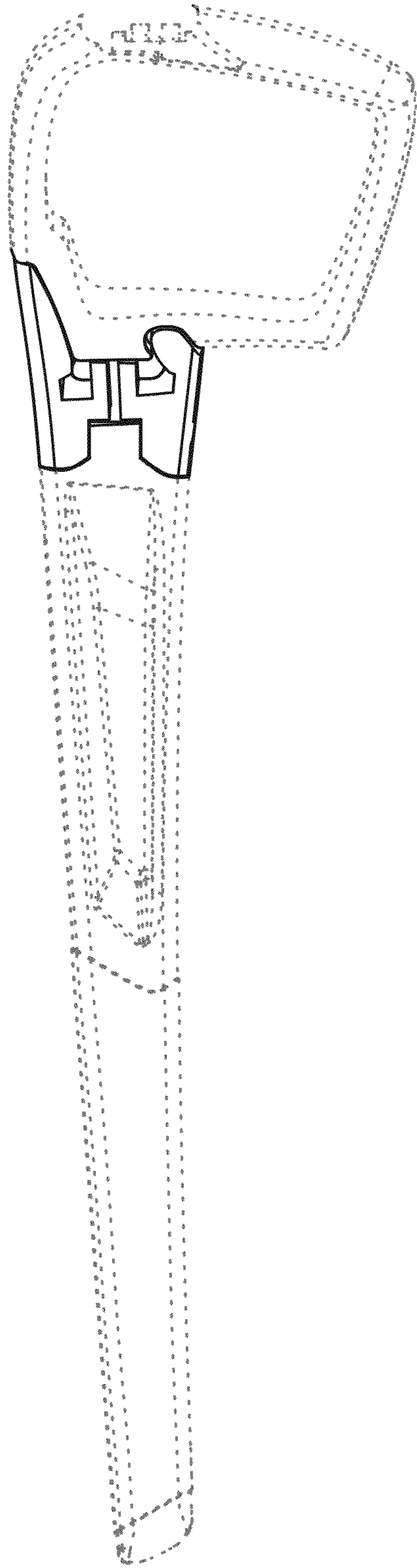


FIG. 8

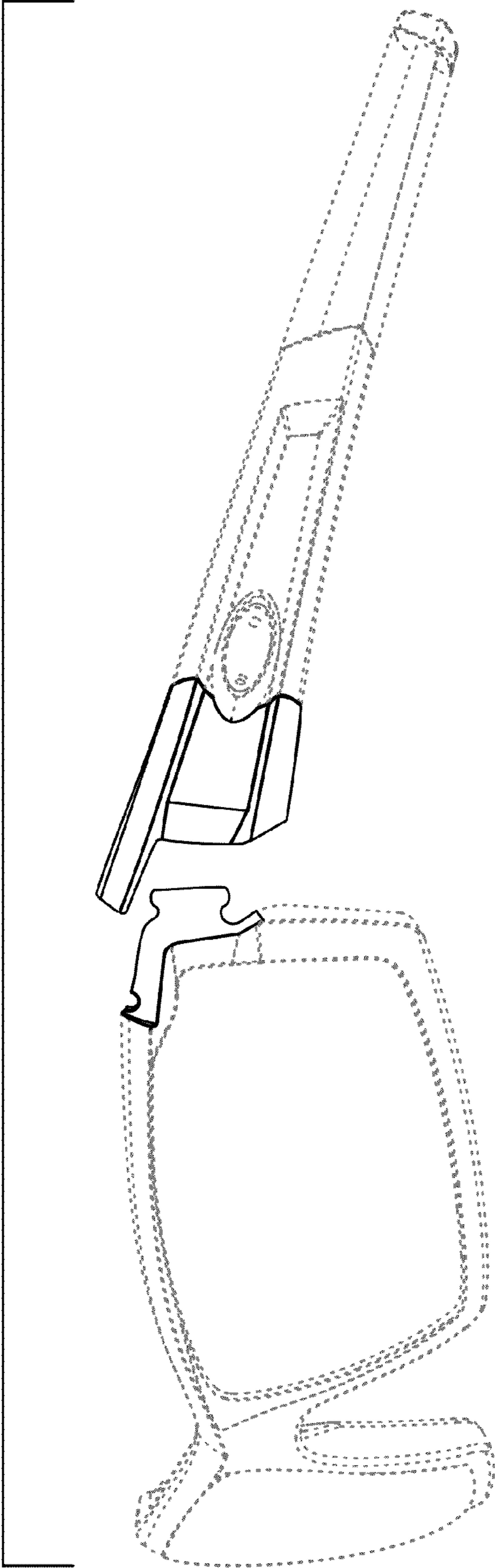


FIG. 9

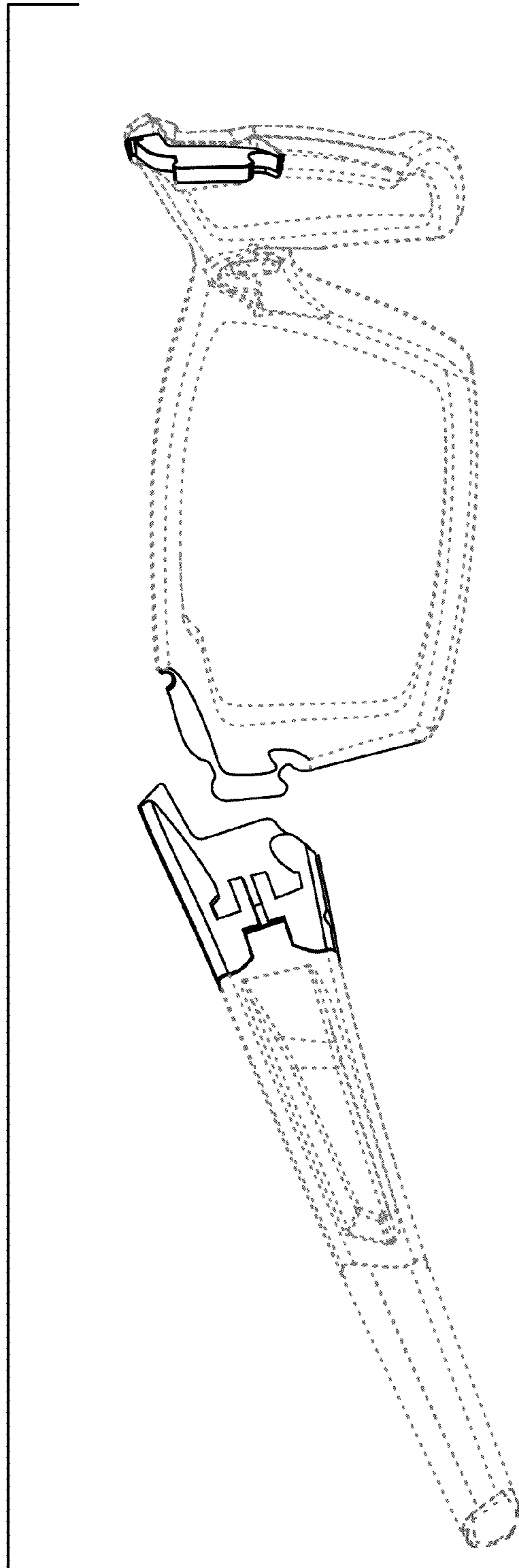


FIG. 10