



US00D735797S

(12) **United States Design Patent**  
**Aquino**

(10) **Patent No.:** **US D735,797 S**

(45) **Date of Patent:** **\*\* Aug. 4, 2015**

(54) **SUNGLASSES WITH REMOVABLE CLIP**

(71) Applicant: **Gabe A. Aquino**, Great Falls, VA (US)

(72) Inventor: **Gabe A. Aquino**, Great Falls, VA (US)

(\*\*) Term: **14 Years**

(21) Appl. No.: **29/471,118**

(22) Filed: **Oct. 28, 2013**

(51) **LOC (10) Cl.** ..... **16-06**

(52) **U.S. Cl.**  
USPC ..... **D16/326; D16/309**

(58) **Field of Classification Search**  
USPC ..... D16/101, 300-342, 900; D29/109-110;  
351/41, 44, 51-52, 62, 158, 92,  
351/103-123, 140-153, 63, 59, 45-46;  
2/426-432, 447-449, 441, 434-437,  
2/13, 15; D21/483, 659-661; D14/372  
CPC ..... G02C 2200/08; G02C 1/06  
See application file for complete search history.

(56) **References Cited**

**U.S. PATENT DOCUMENTS**

D173,868 S \* 1/1955 Belgard ..... D16/326  
D369,375 S \* 4/1996 Jannard et al. .... D16/326

D409,219 S \* 5/1999 Huang ..... D16/303  
D427,622 S \* 7/2000 Conway ..... D16/326  
D555,707 S \* 11/2007 Hou ..... D16/326  
D581,450 S \* 11/2008 Moritz ..... D16/326  
D601,181 S \* 9/2009 Fuchs ..... D16/315  
D616,016 S \* 5/2010 Markovitz et al. .... D16/326  
D630,674 S \* 1/2011 Markovitz ..... D16/326  
8,020,988 B2 \* 9/2011 Ogren et al. .... 351/153  
D675,665 S \* 2/2013 Faber et al. .... D16/326

\* cited by examiner

*Primary Examiner* — Raphael Barkai

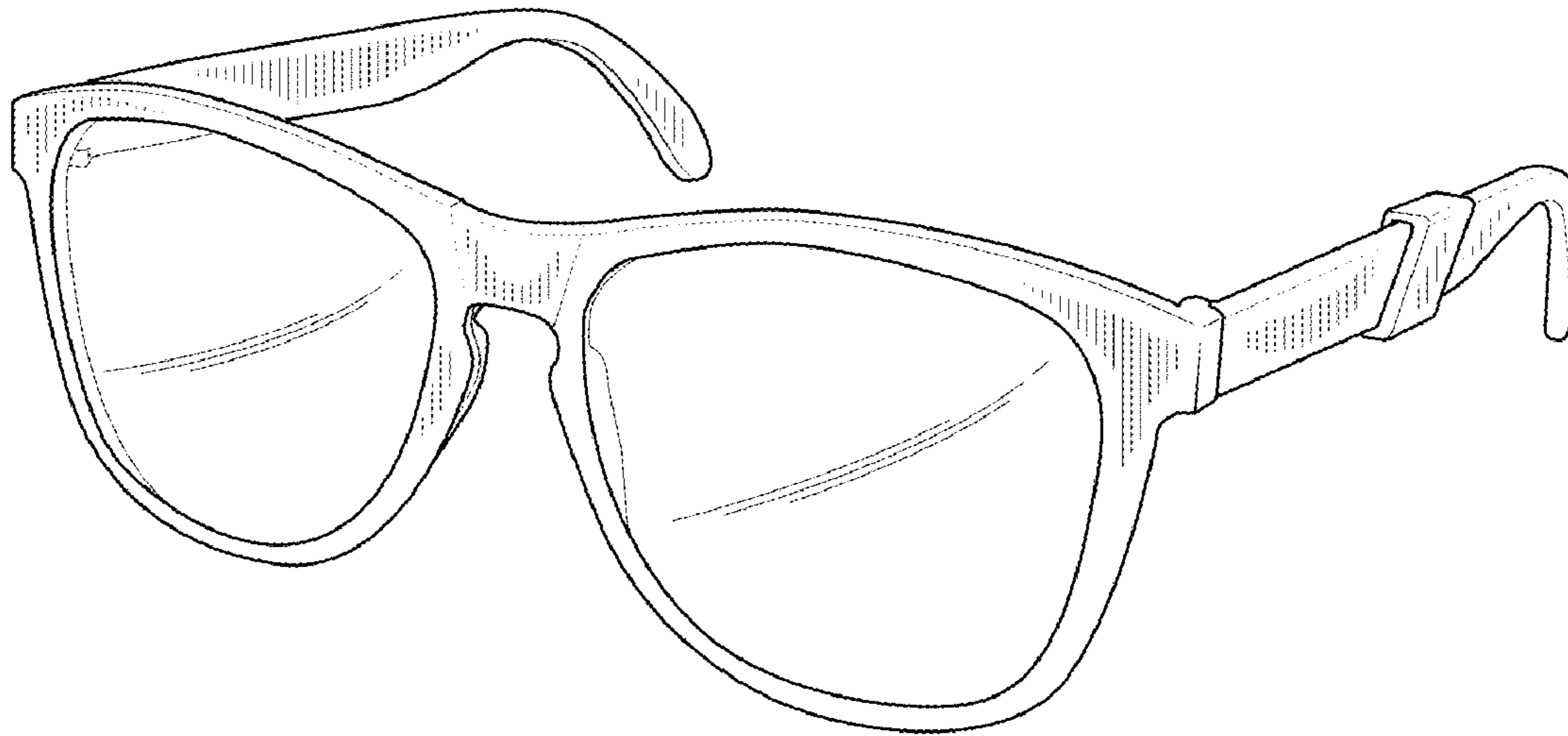
(57) **CLAIM**

The ornamental design for sunglasses with removable clip, as shown and described.

**DESCRIPTION**

FIG. 1 is a perspective front view of the sunglasses with removable clip;  
FIG. 2 is a front view of the sunglasses with removable clip;  
FIG. 3 is a rear view of the sunglasses with removable clip;  
FIG. 4 is a left view of the sunglasses with removable clip;  
FIG. 5 is a right view of the sunglasses with removable clip;  
FIG. 6 is a top view of the sunglasses with removable clip;  
and,  
FIG. 7 is a bottom view of the sunglasses with removable clip.

**1 Claim, 3 Drawing Sheets**



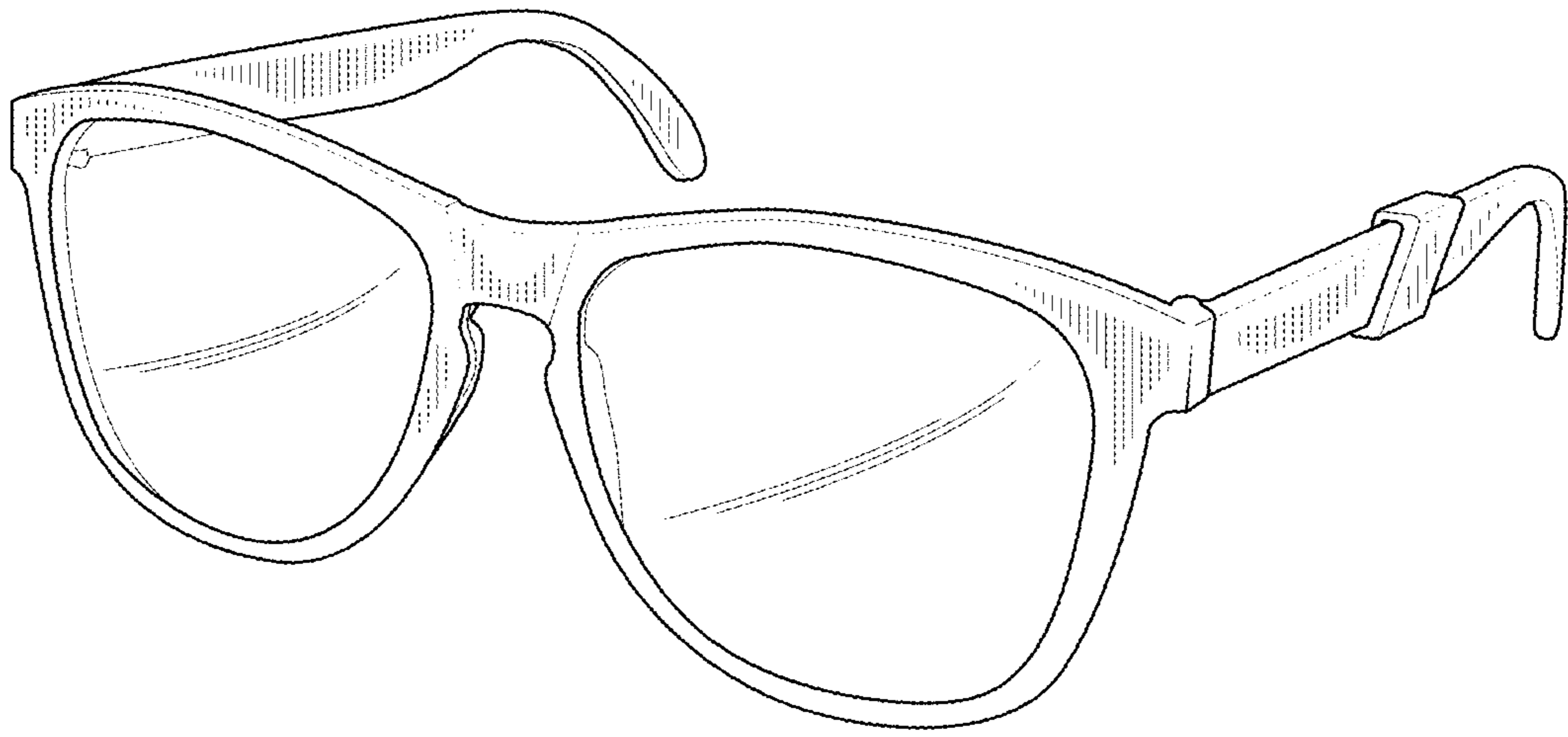


FIG. 1

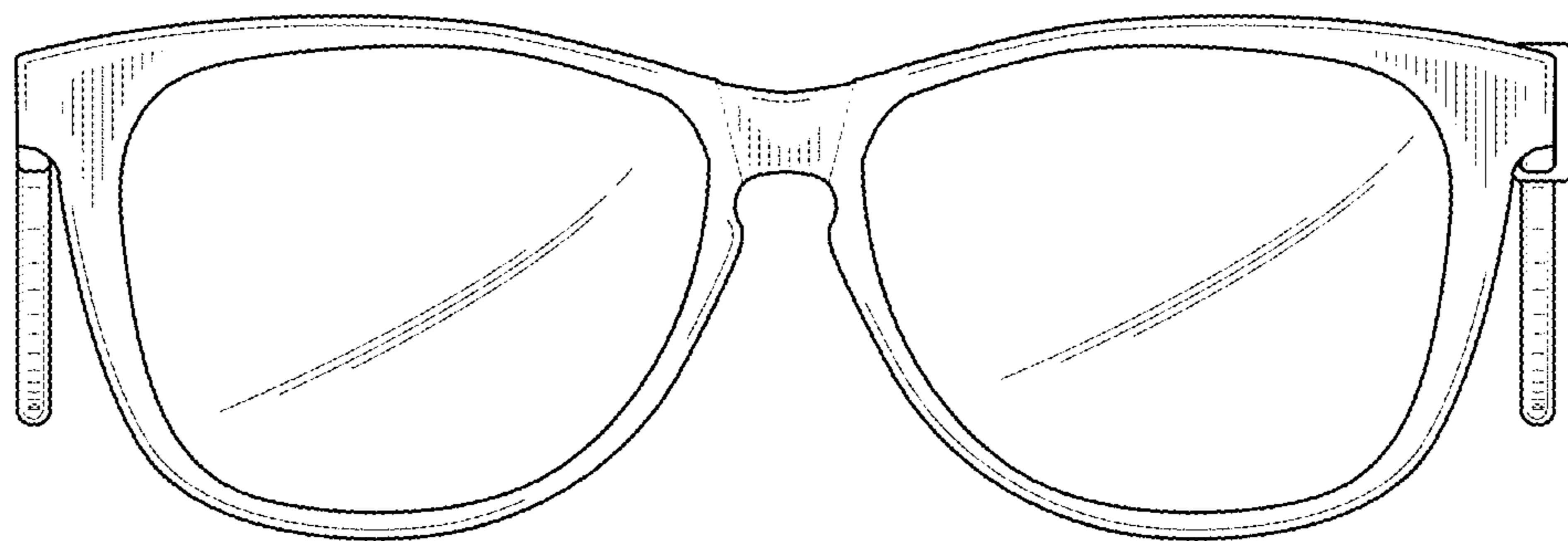


FIG. 2

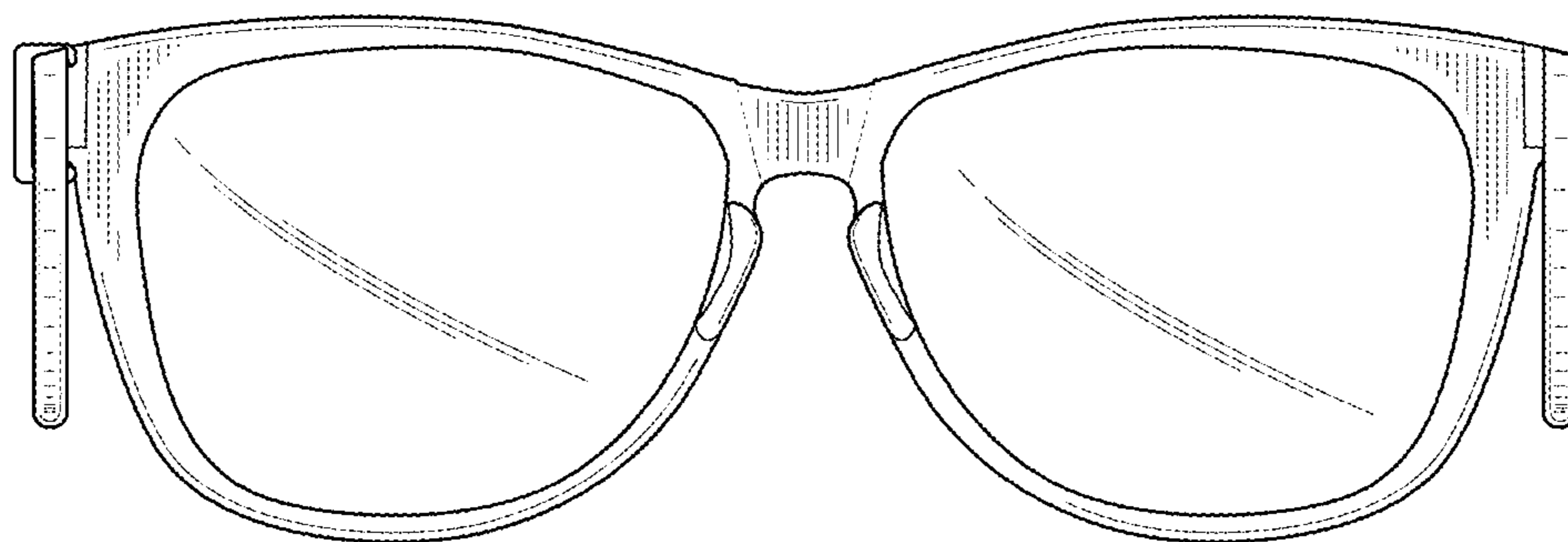


FIG. 3

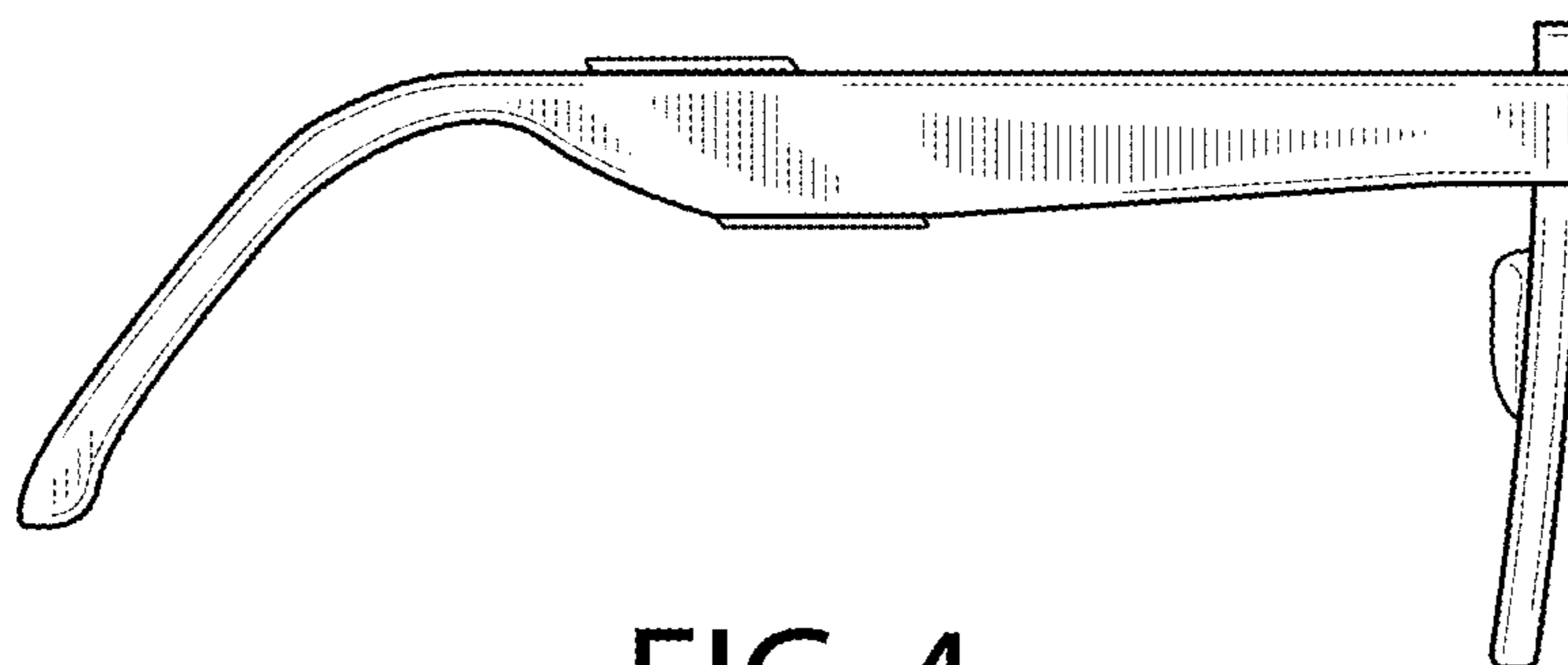


FIG. 4

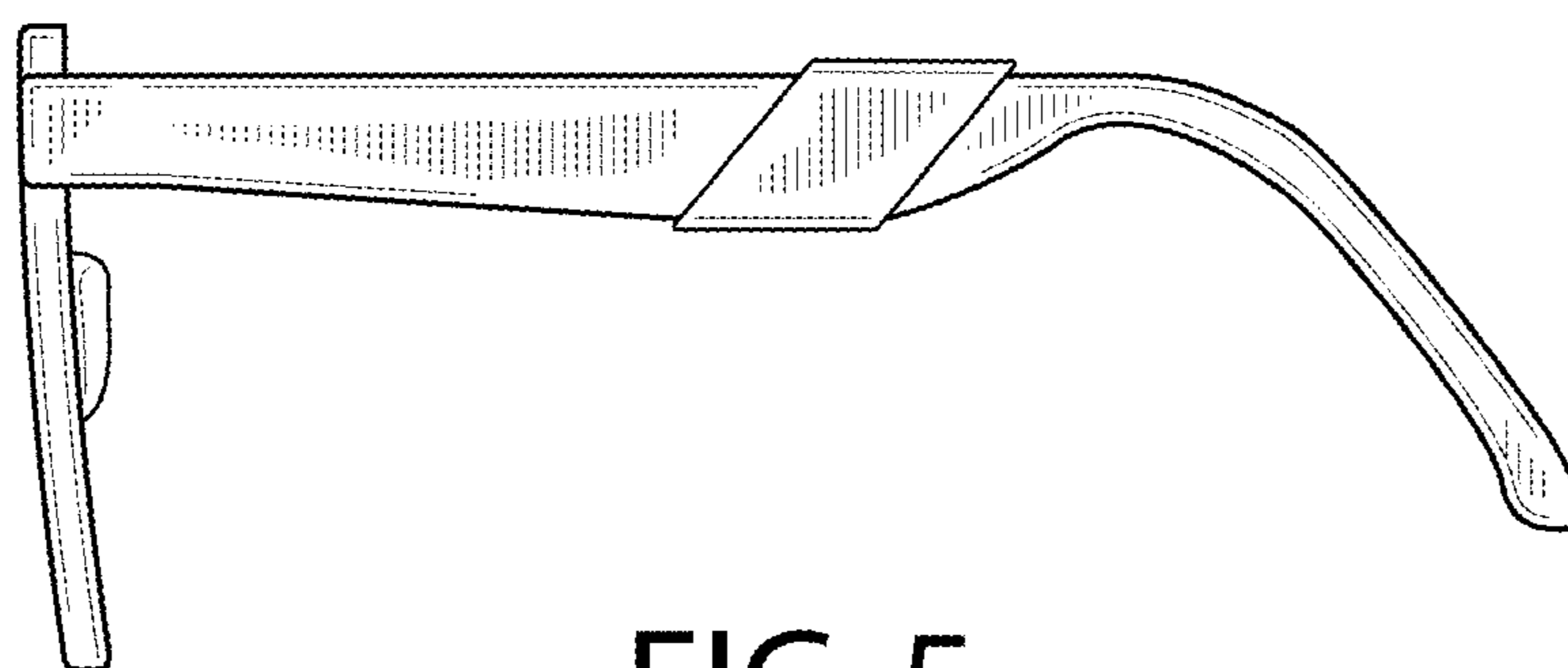


FIG. 5

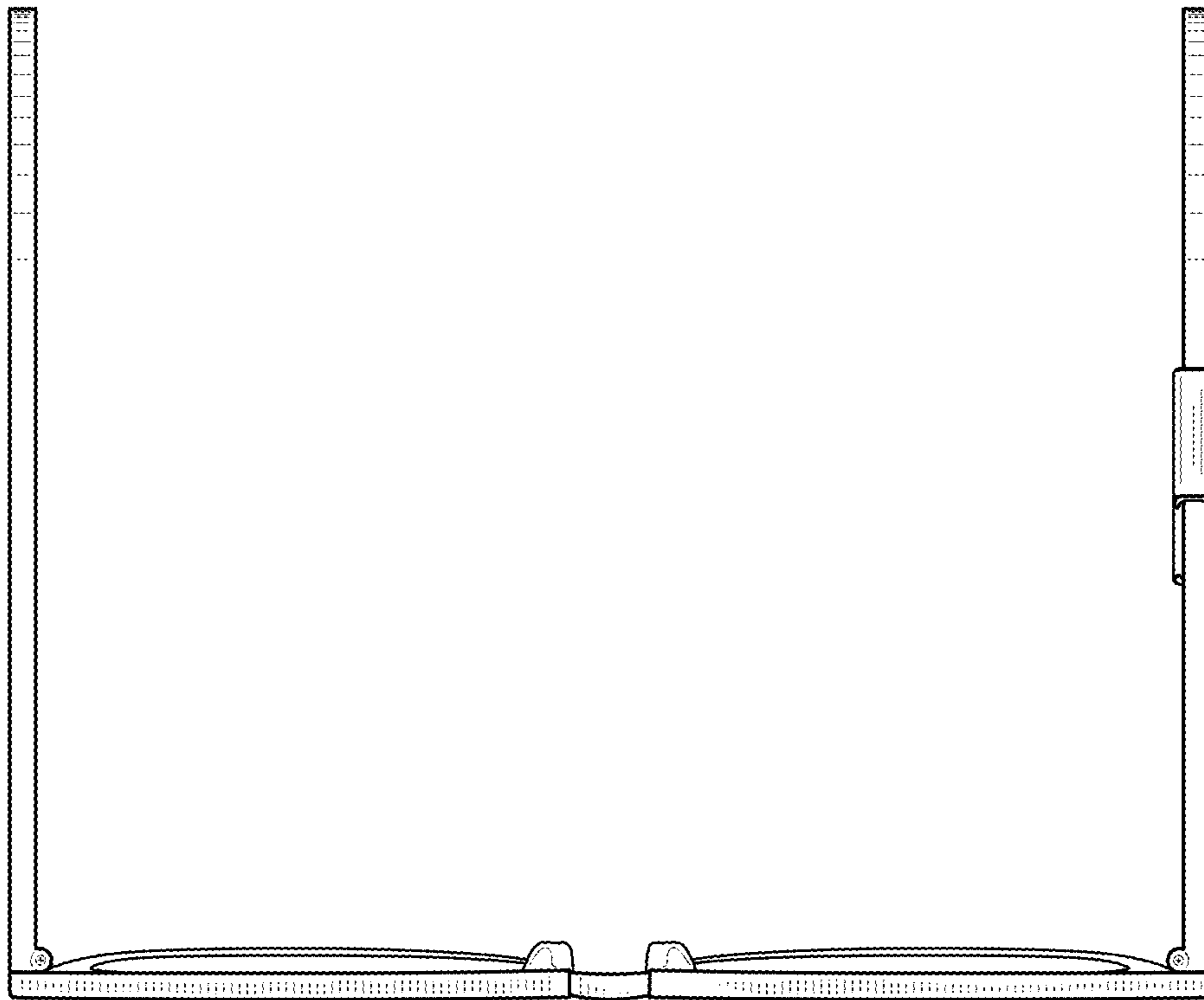


FIG. 6

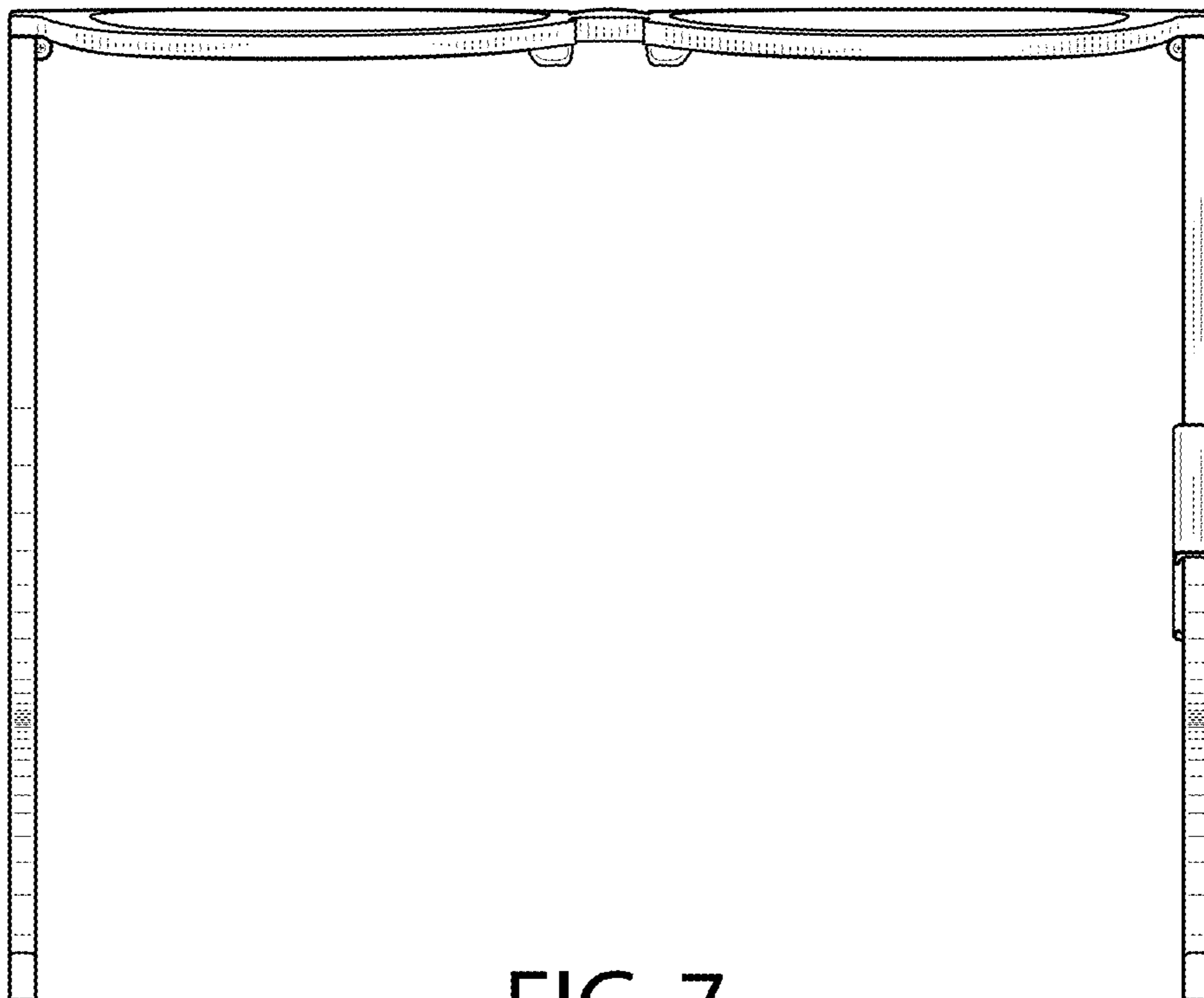


FIG. 7