



US00D735796S

(12) **United States Design Patent**  
**Earley**

(10) **Patent No.:** **US D735,796 S**

(45) **Date of Patent:** **\*\* Aug. 4, 2015**

(54) **CONFIGURABLE GLASSES**

(71) Applicant: **William J. Earley**, Watkinsville, GA  
(US)

(72) Inventor: **William J. Earley**, Watkinsville, GA  
(US)

(73) Assignee: **Tifosi Optics, Inc.**, Watkinsville, GA  
(US)

(\*\*) Term: **14 Years**

(21) Appl. No.: **29/473,174**

(22) Filed: **Nov. 19, 2013**

(51) **LOC (10) Cl.** ..... **16-06**

(52) **U.S. Cl.**  
USPC ..... **D16/321**; D16/326

(58) **Field of Classification Search**  
USPC ..... D16/101, 300–342, 900; D29/109–110;  
351/41, 44, 51–52, 62, 158, 92,  
351/103–123, 140–153, 63, 59, 45–46;  
2/426–432, 447–449, 441, 434–437,  
2/13, 15; D21/483, 659–661; D14/372  
CPC ..... G02C 2200/08; G02C 1/06; G02C 5/14;  
G02C 5/16

See application file for complete search history.

(56) **References Cited**

**U.S. PATENT DOCUMENTS**

4,998,815	A	*	3/1991	Lin	.....	351/106
5,642,178	A	*	6/1997	Leonardi et al.	.....	351/111
D554,689	S	*	11/2007	Jannard et al.	.....	D16/326
D604,759	S	*	11/2009	Rohrbach et al.	.....	D16/326
D648,771	S	*	11/2011	Rohrbach	.....	D16/326
D649,579	S	*	11/2011	Thixton	.....	D16/321
D652,442	S	*	1/2012	Yee et al.	.....	D16/326
D658,706	S	*	5/2012	Sheldon	.....	D16/326
D661,339	S	*	6/2012	Thixton et al.	.....	D16/321

D663,764	S	*	7/2012	Serlenga	.....	D16/326
8,292,425	B2	*	10/2012	Takeshi	.....	351/110
D697,548	S	*	1/2014	Earley	.....	D16/326
D698,853	S	*	2/2014	Lee et al.	.....	D16/311

\* cited by examiner

*Primary Examiner* — Raphael Barkai

(74) *Attorney, Agent, or Firm* — Smith Risley Tempel Santos LLC; Gregory Scott Smith

(57) **CLAIM**

The ornamental design for a configurable glasses, as shown and described.

**DESCRIPTION**

FIG. 1 is top plan view of my design for the configurable glasses;

FIG. 2 is a bottom plan view of the configurable glasses;

FIG. 3 is a rear elevation view of the configurable glasses;

FIG. 4 is a front elevation view of the configurable glasses;

FIG. 5 is a right side perspective view of the configurable glasses, the left side view being a mirrored image;

FIG. 6 is a right side perspective view of the configurable glasses as viewed from the inside of the glasses, the left side view being a mirrored image;

FIG. 7 is a right side elevation view of the configurable glasses, the left side view being a mirrored image; and

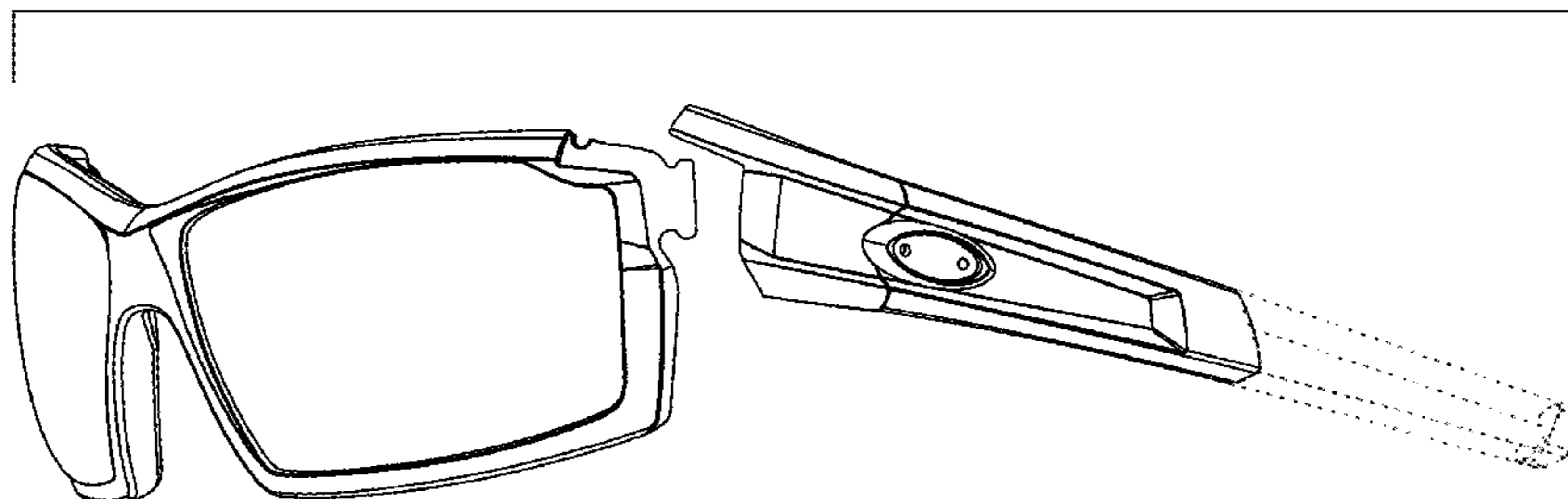
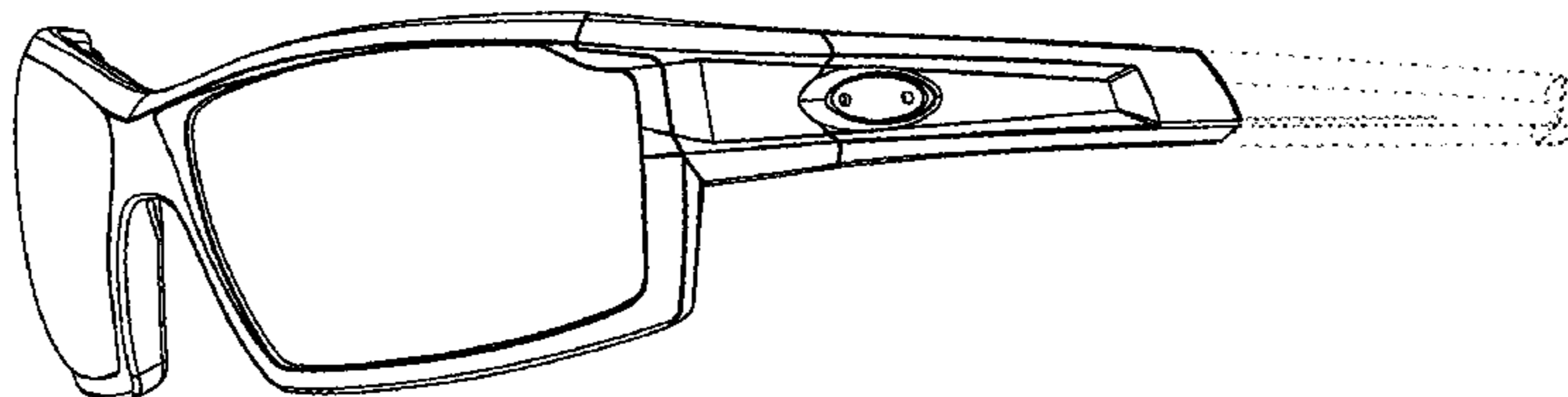
FIG. 8 is right side elevation view of the configurable glasses as seen in view 8-8 of FIG. 1, the left side view being a mirrored image;

FIG. 9 is a right side elevation exploded view of the components configurable glasses, the left side view being a mirrored image; and,

FIG. 10 is a right side elevation exploded view of the configurable glasses as viewed from the inside of the glasses, the left side view being a mirrored image.

The broken and grayed lines throughout the drawings form no part of the claim.

**1 Claim, 10 Drawing Sheets**



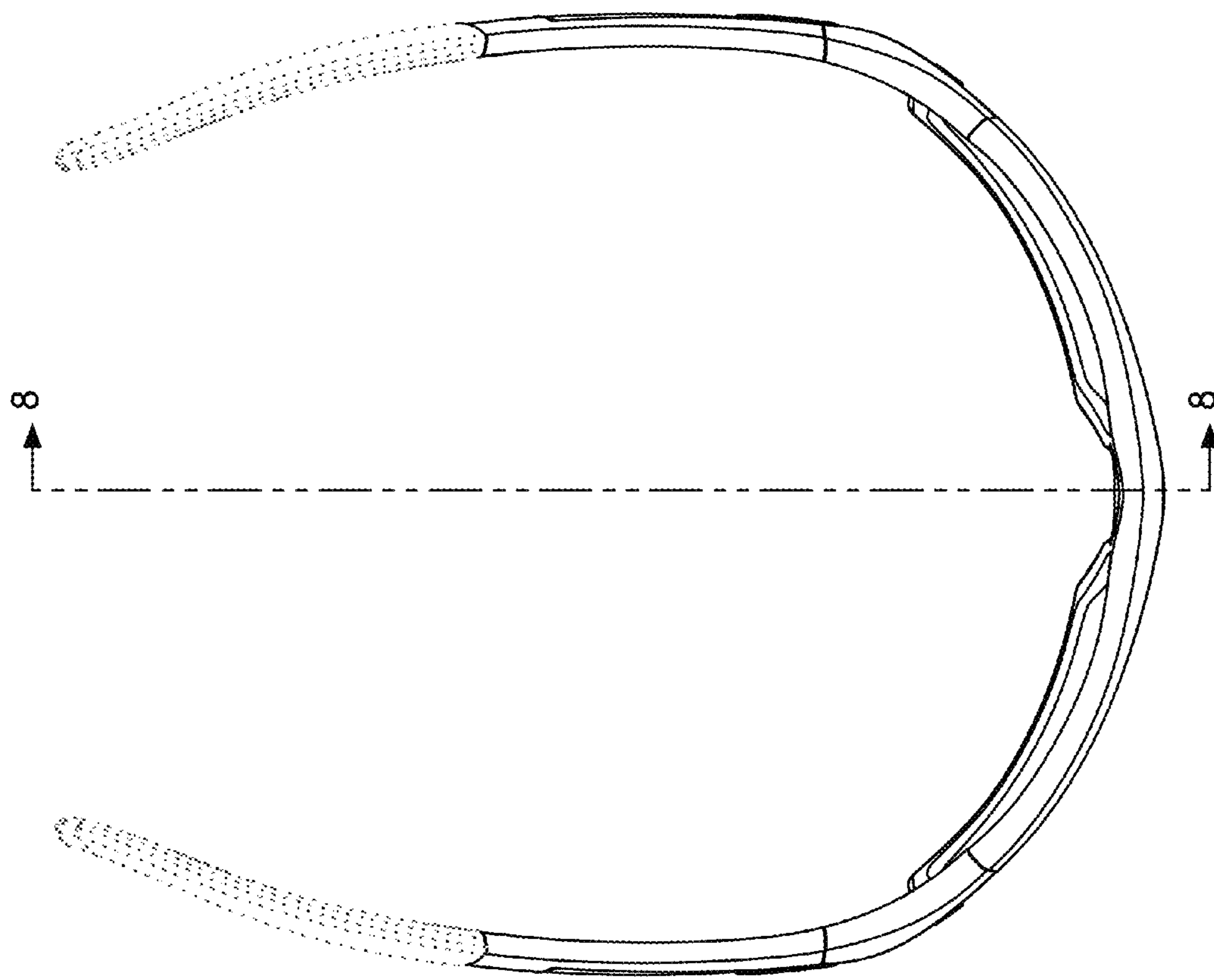


FIG. 1

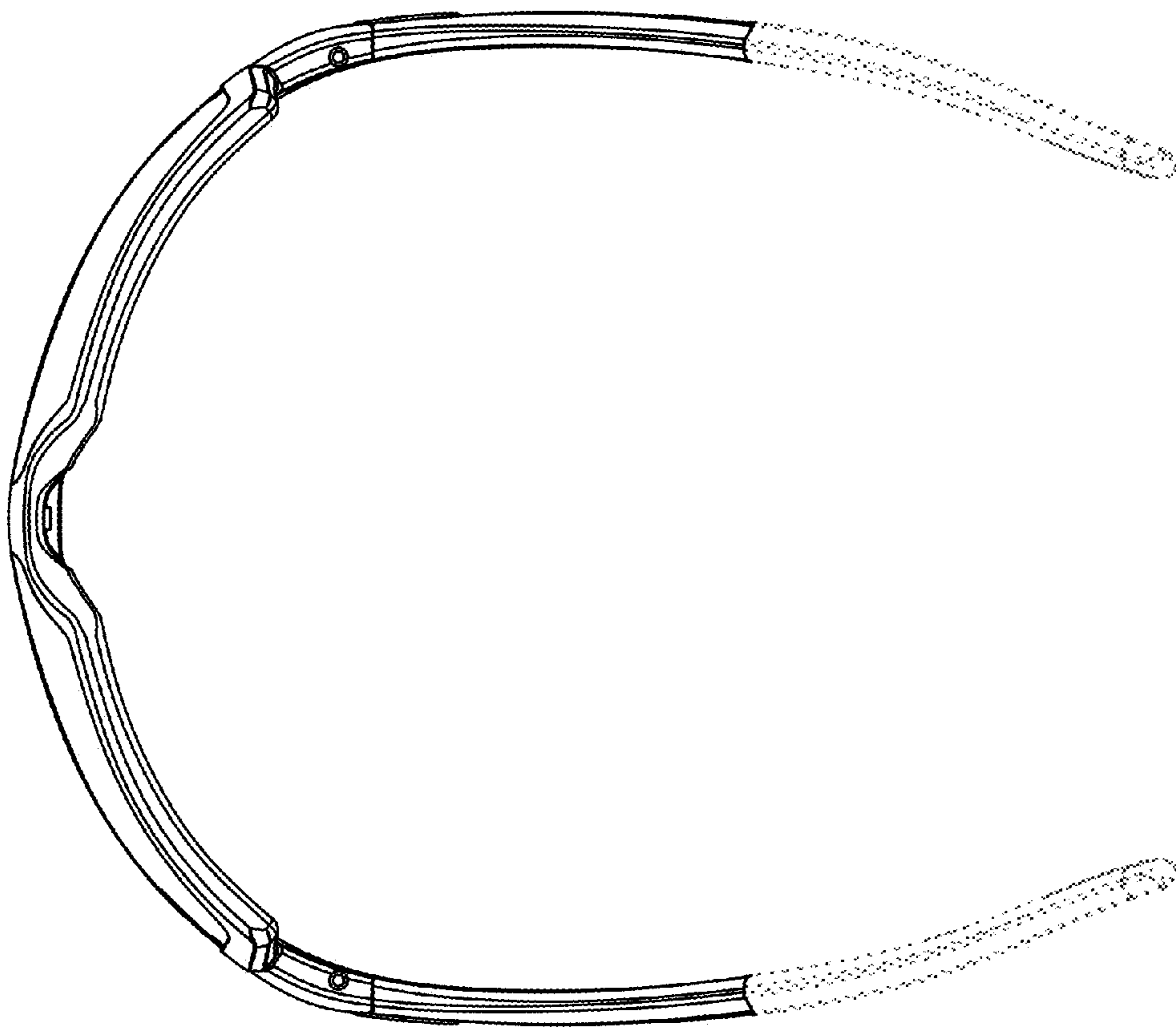


FIG. 2

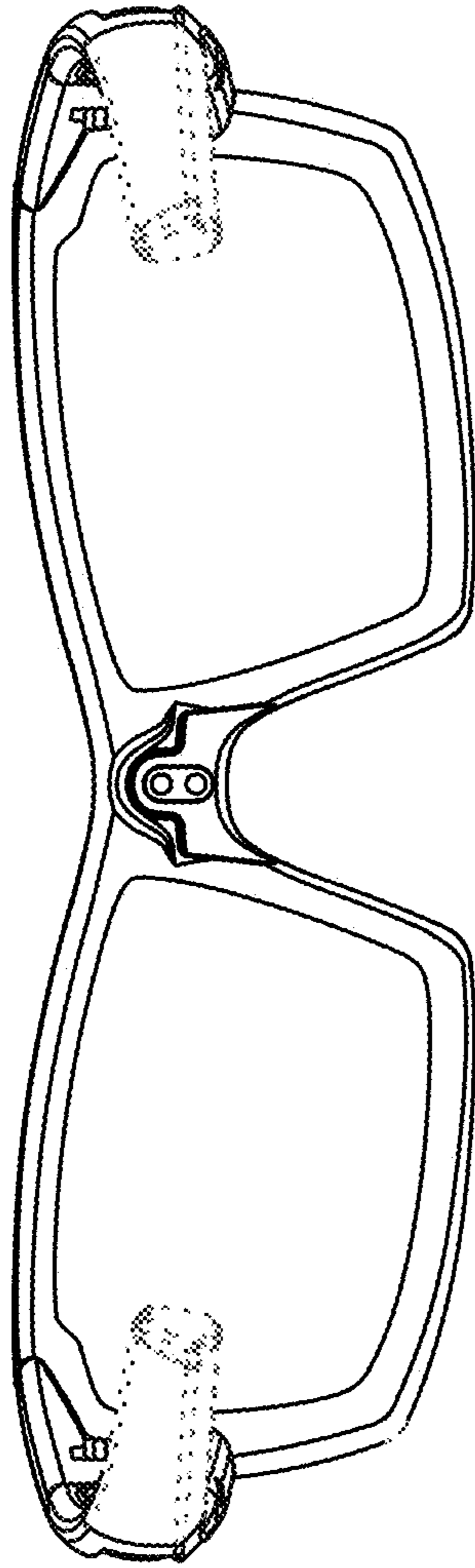


FIG. 3

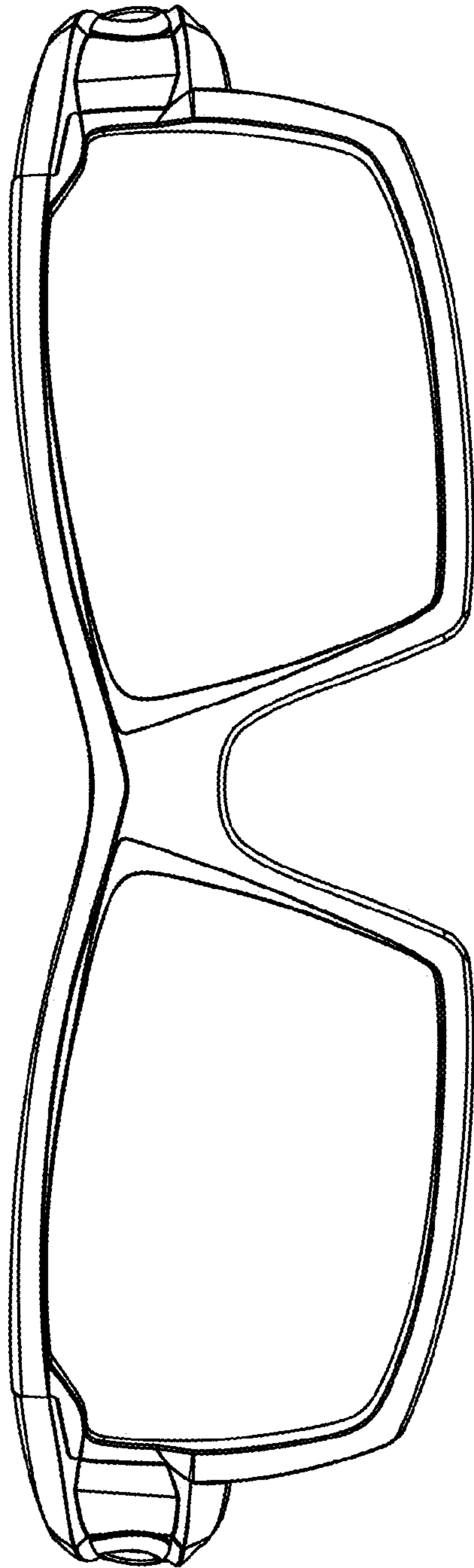


FIG. 4

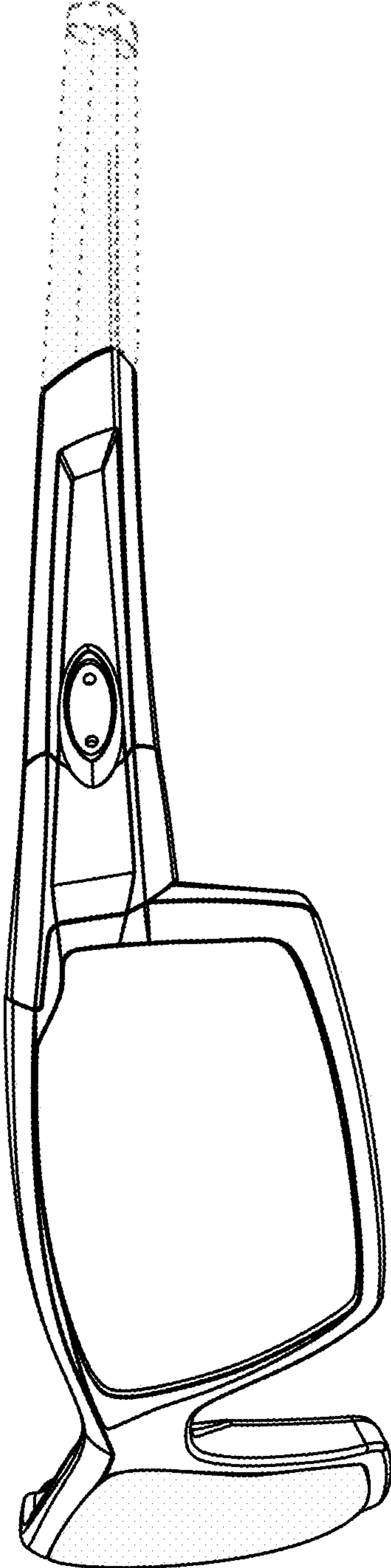


FIG. 5



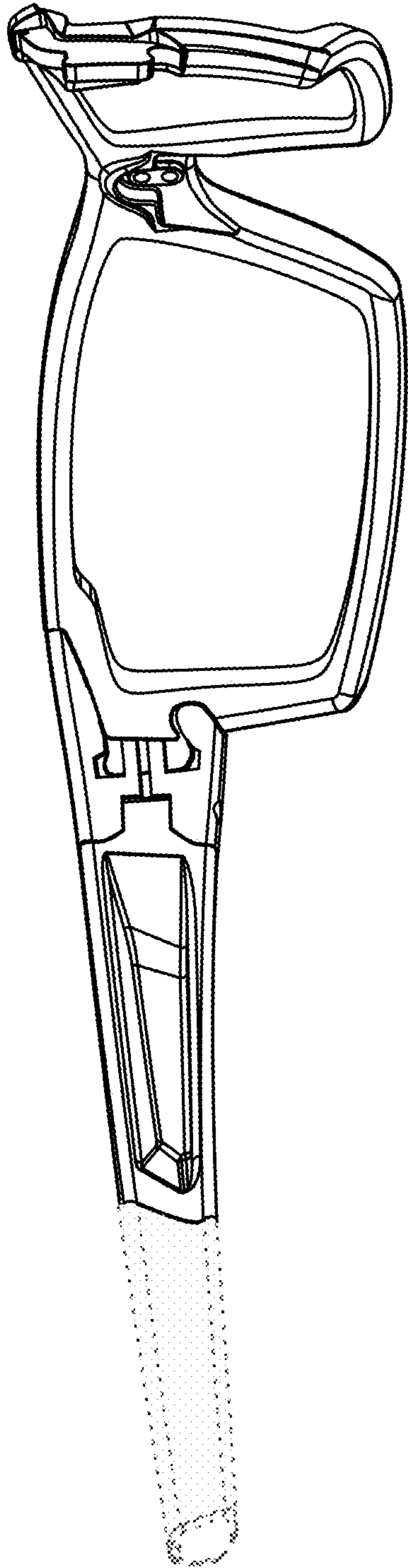


FIG. 6

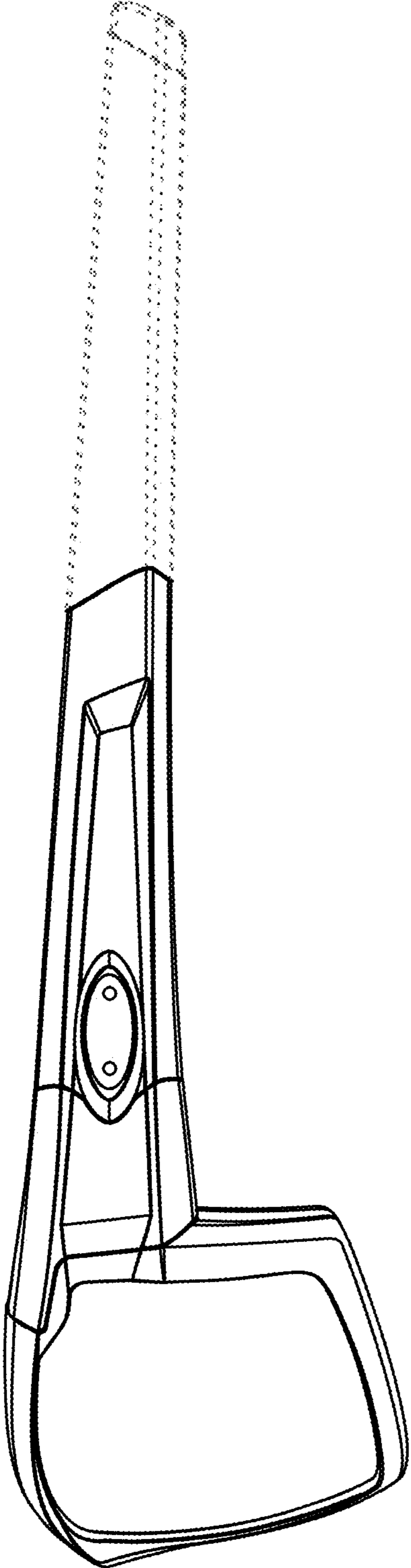


FIG. 7



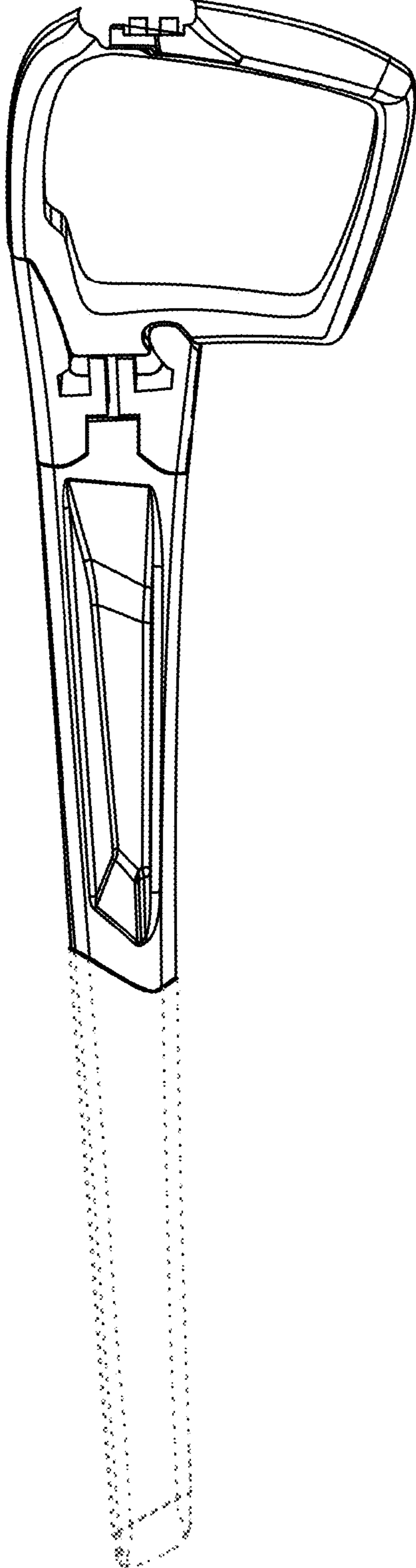


FIG. 8

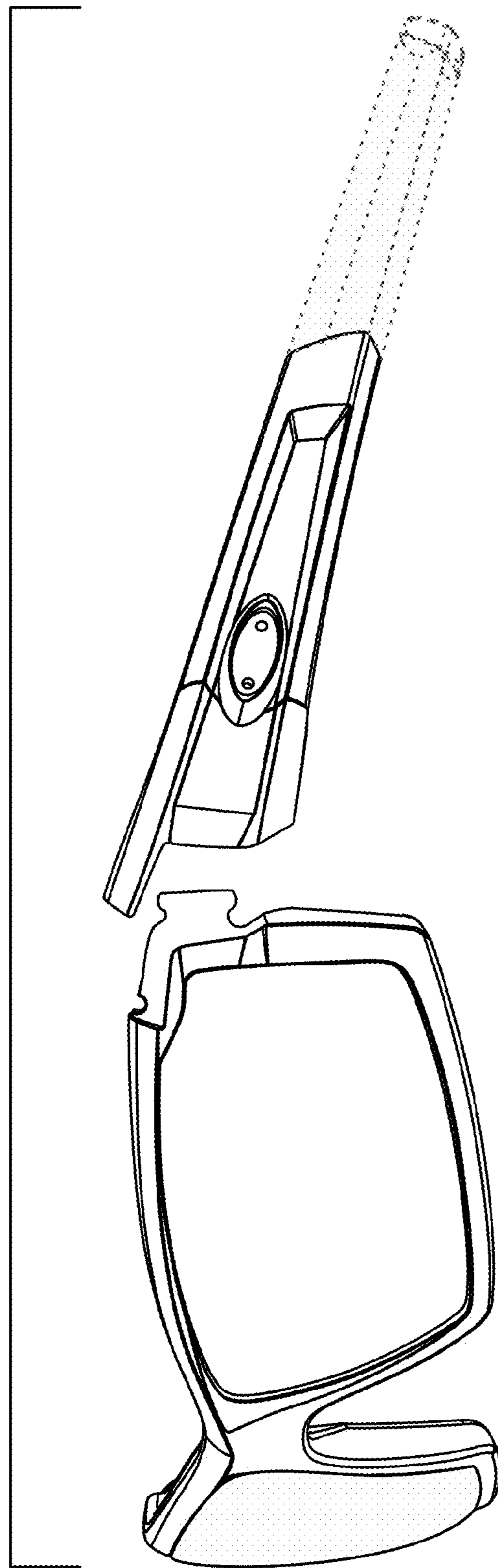


FIG. 9

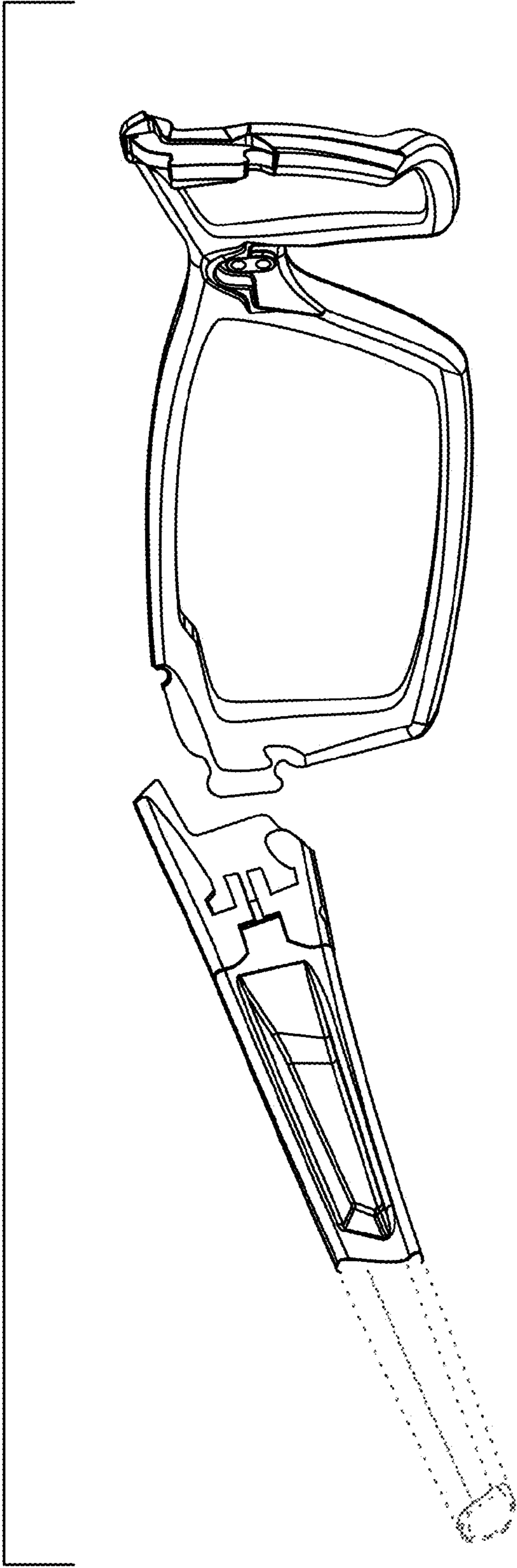


FIG. 10