



US00D735795S

(12) **United States Design Patent**
McGinn et al.

(10) **Patent No.:** **US D735,795 S**

(45) **Date of Patent:** **** Aug. 4, 2015**

(54) **EYEWEAR BROW BAR**

(71) Applicant: **Revision Military S.a.r.L.**, Luxembourg
(LU)

(72) Inventors: **Michael James McGinn**, Montreal
(CA); **Stéphane Lebel**, St. Redempteur
(CA); **Dominic Giroux Bernier**,
Montreal (CA)

(73) Assignee: **Revision Military S.a.r.l.**, Luxembourg
(LU)

(**) Term: **14 Years**

(21) Appl. No.: **29/443,066**

(22) Filed: **Jan. 11, 2013**

(51) **LOC (10) Cl.** **16-06**

(52) **U.S. Cl.**
USPC **D16/320**

(58) **Field of Classification Search**
USPC D16/320, 333, 332, 325, 326, 328, 321,
D16/318, 310, 309, 306, 300, 335, 334, 136,
D16/330, 336, 338, 340, 341, 339, 301, 303,
D16/322, 323, 327, 329, 311; 24/58;
D19/176, 187, 115, 116, 133; 2/12,
2/442, 445, 447, 448; 351/124, 69, 41,
351/65, 76, 78, 79, 87, 88; 401/92;
383/210; D22/108, 199; D6/654.2, 641
CPC G02C 5/126; G02C 5/12; G02C 5/122;
G02C 5/124; G02C 5/02; G02C 1/06; G02C
2200/08; G02C 5/006; G02C 5/008; G02C
3/00; G02C 1/04; G02C 5/146; G02C 5/2263;
G02C 7/02

See application file for complete search history.

(56) **References Cited**

U.S. PATENT DOCUMENTS

D537,098 S *	2/2007	Sheldon et al.	D16/311
D547,787 S *	7/2007	Lee	D16/311
D616,485 S *	5/2010	Thixton	D16/314
D622,303 S *	8/2010	Thixton	D16/314
D636,807 S *	4/2011	Lebel	D16/314
D683,385 S *	5/2013	Xia	D16/309

* cited by examiner

Primary Examiner — Robert M Spear

Assistant Examiner — Eliza Bennett-Hattan

(74) *Attorney, Agent, or Firm* — Wolf, Greenfield & Sacks,
P.C.

(57) **CLAIM**

The ornamental design for an eyewear brow bar, as shown and described.

DESCRIPTION

FIG. 1 is a top, front, right side perspective view of an eyewear brow bar;

FIG. 2 is a front elevational view thereof;

FIG. 3 is a rear elevational view thereof;

FIG. 4 is a left side elevational view thereof;

FIG. 5 is a right side elevational view thereof;

FIG. 6 is a top plan view thereof;

FIG. 7 is a bottom plan view thereof;

FIG. 8 is an enlarged detail view of a portion of FIG. 1;

FIG. 9 is an enlarged detail view of a portion of FIG. 2;

FIG. 10 is an enlarged detail view of a portion of FIG. 3;

FIG. 11 is an enlarged detail view of a portion of FIG. 4;

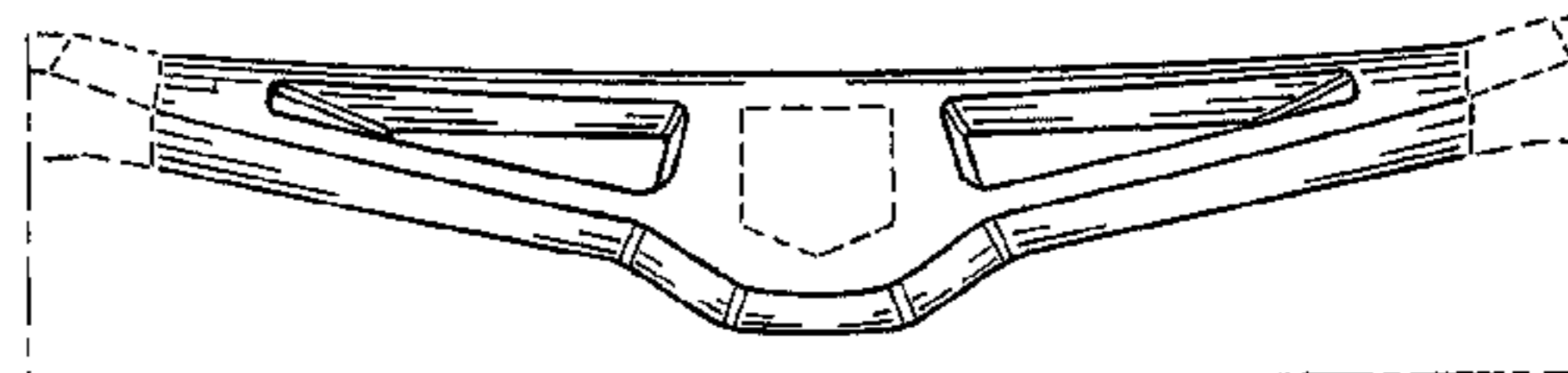
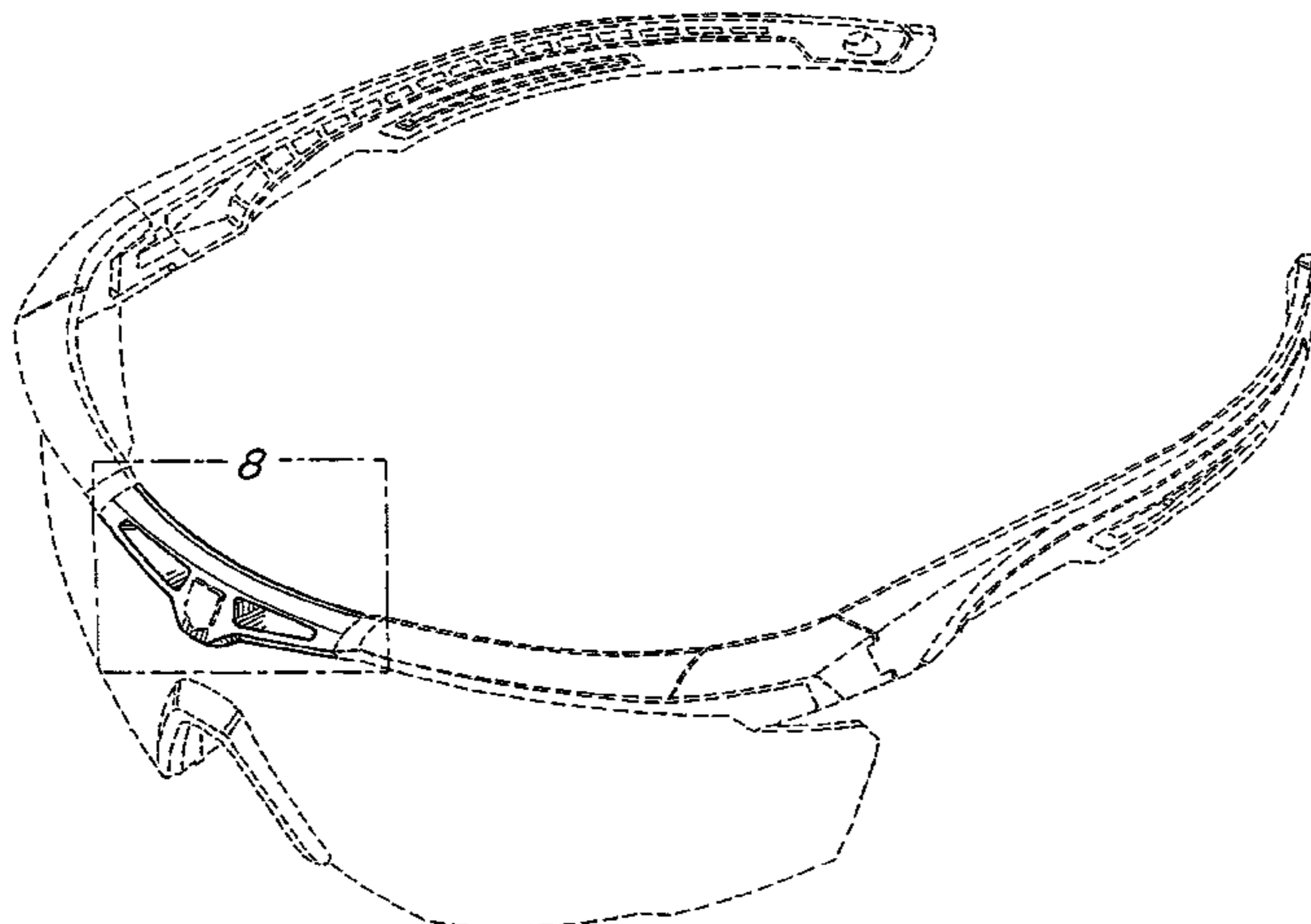
FIG. 12 is an enlarged detail view of a portion of FIG. 5;

FIG. 13 is an enlarged detail view of a portion of FIG. 6; and,

FIG. 14 is an enlarged detail view of a portion of FIG. 7.

The broken lines shown depict environmental subject matter only and form no part of the claimed design. The dash-dot-dash broken lines shown in the drawings define various boundaries of the claimed design and form no part of the claimed design.

1 Claim, 8 Drawing Sheets



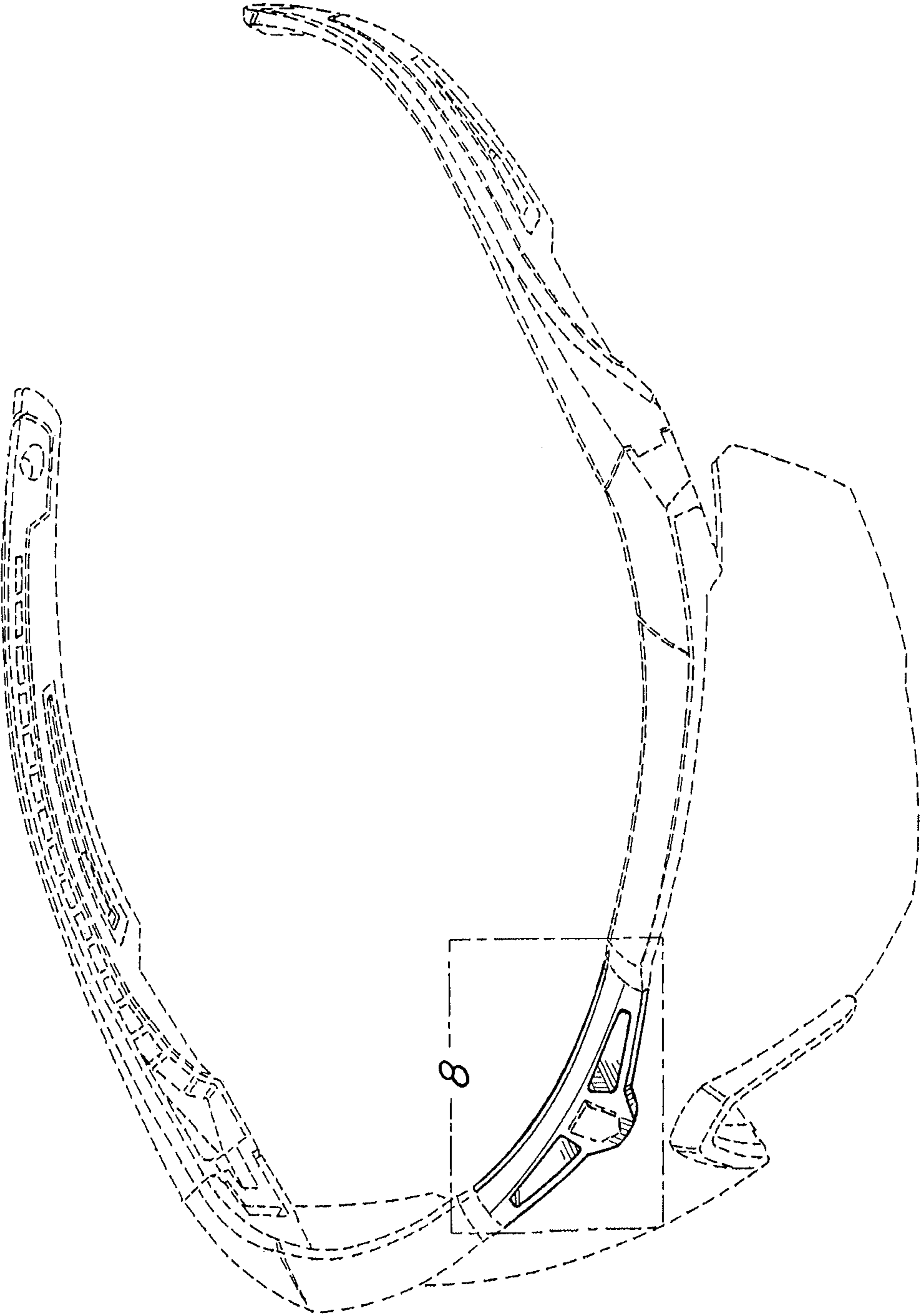


Fig. 1

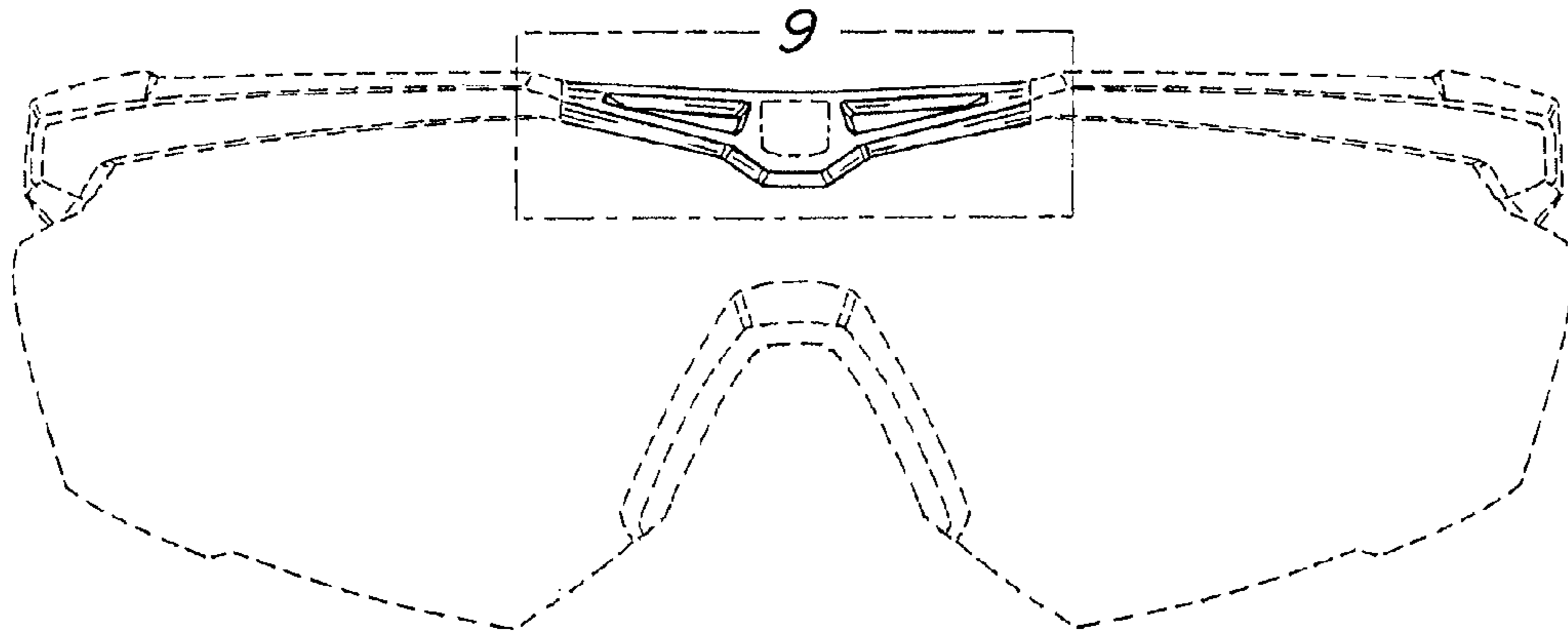


Fig. 2

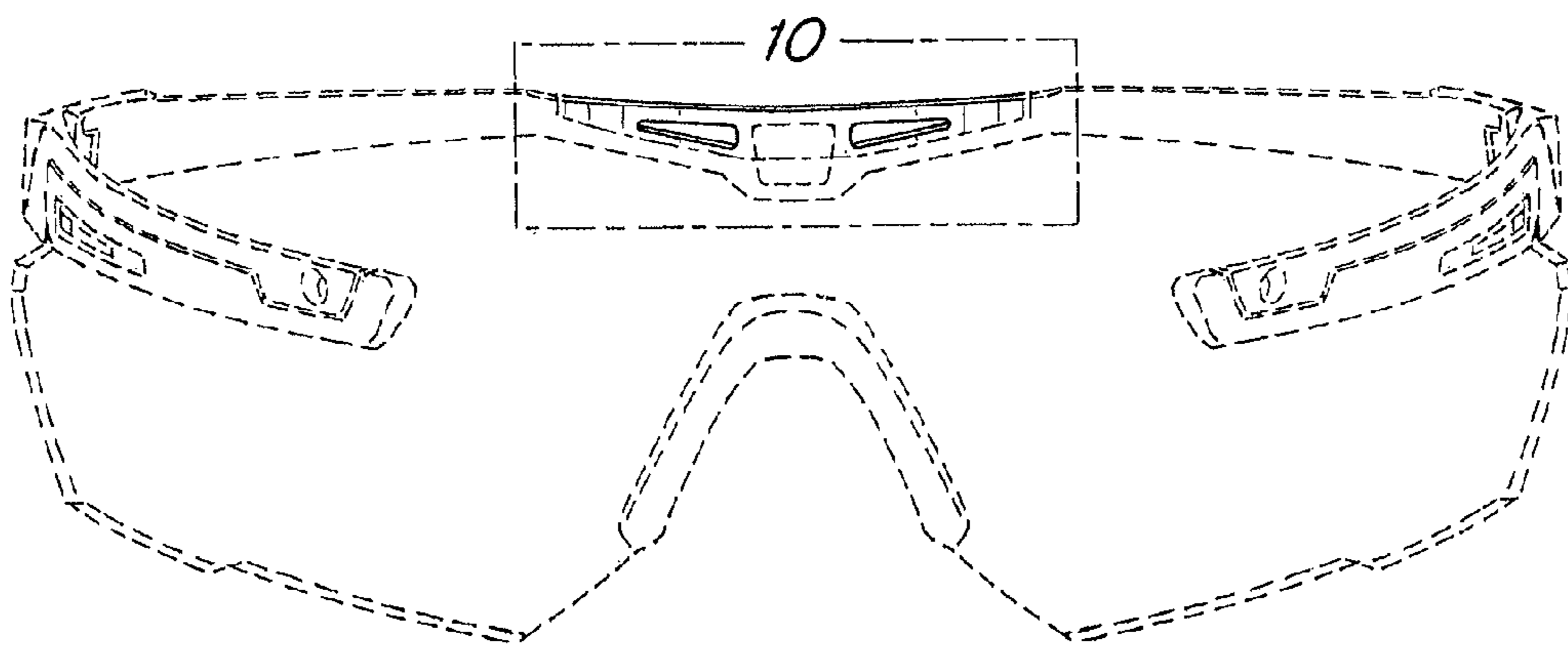


Fig. 3

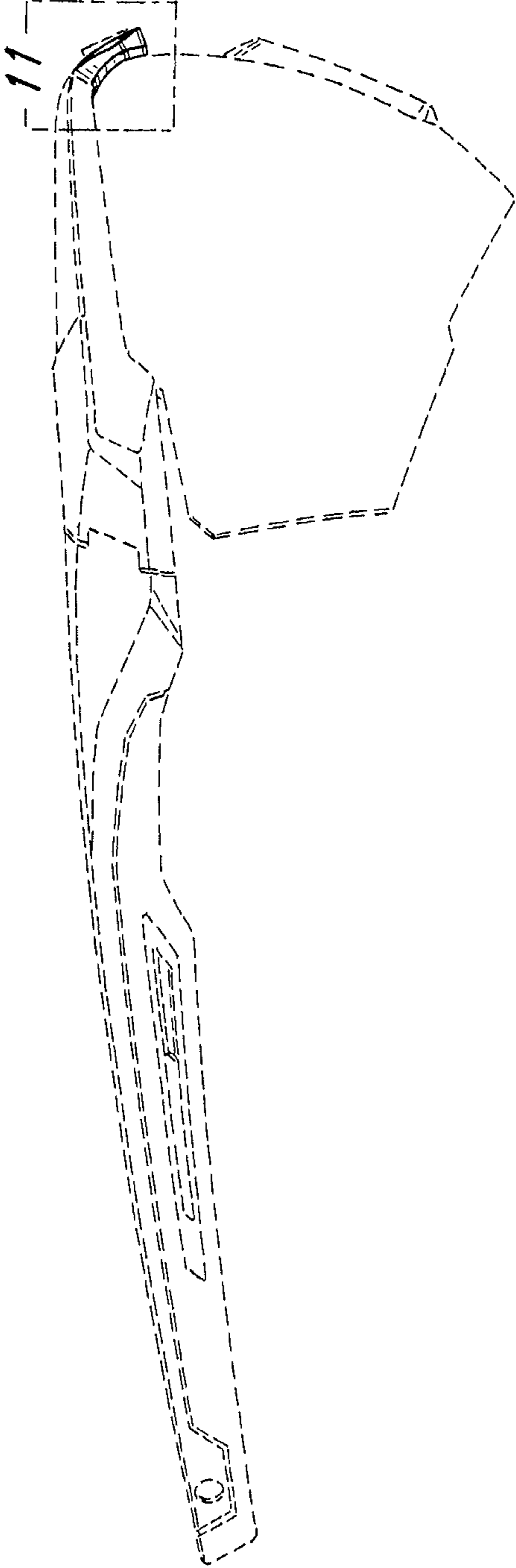


Fig. 4

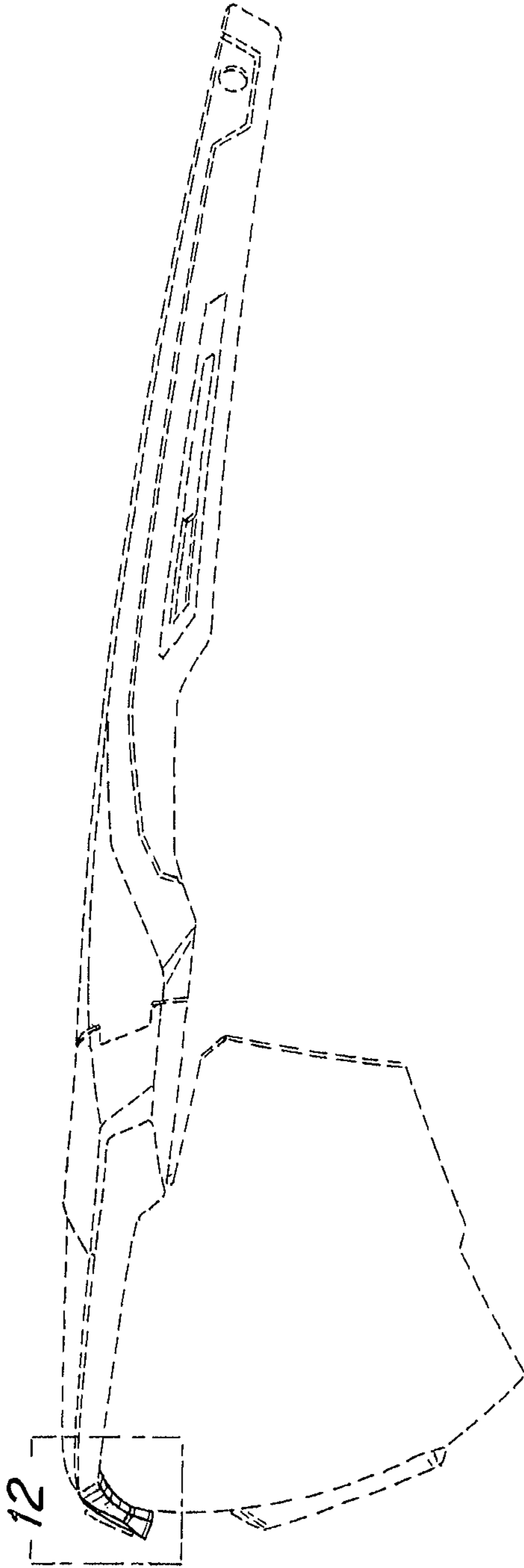
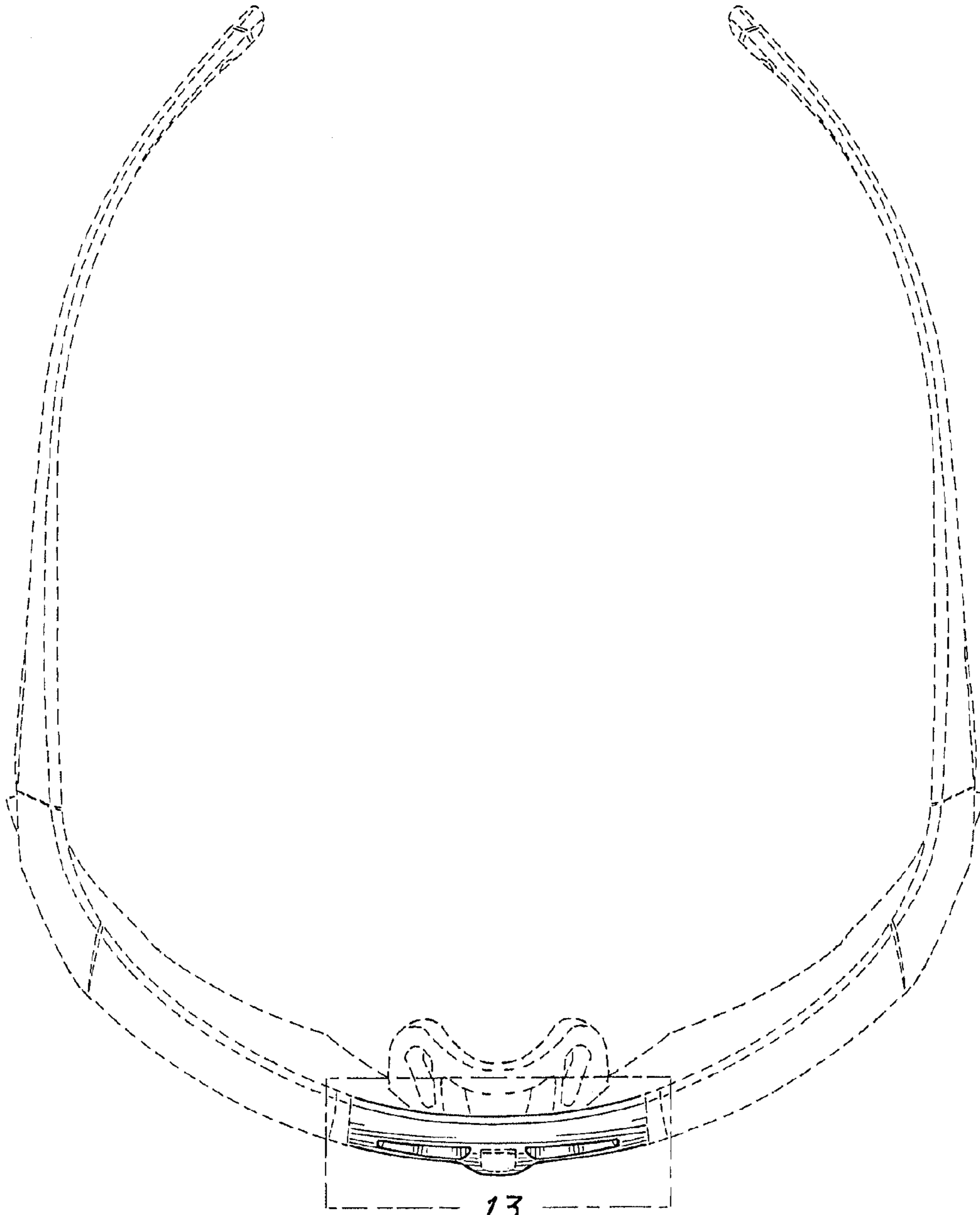


Fig. 5



13
Fig. 6

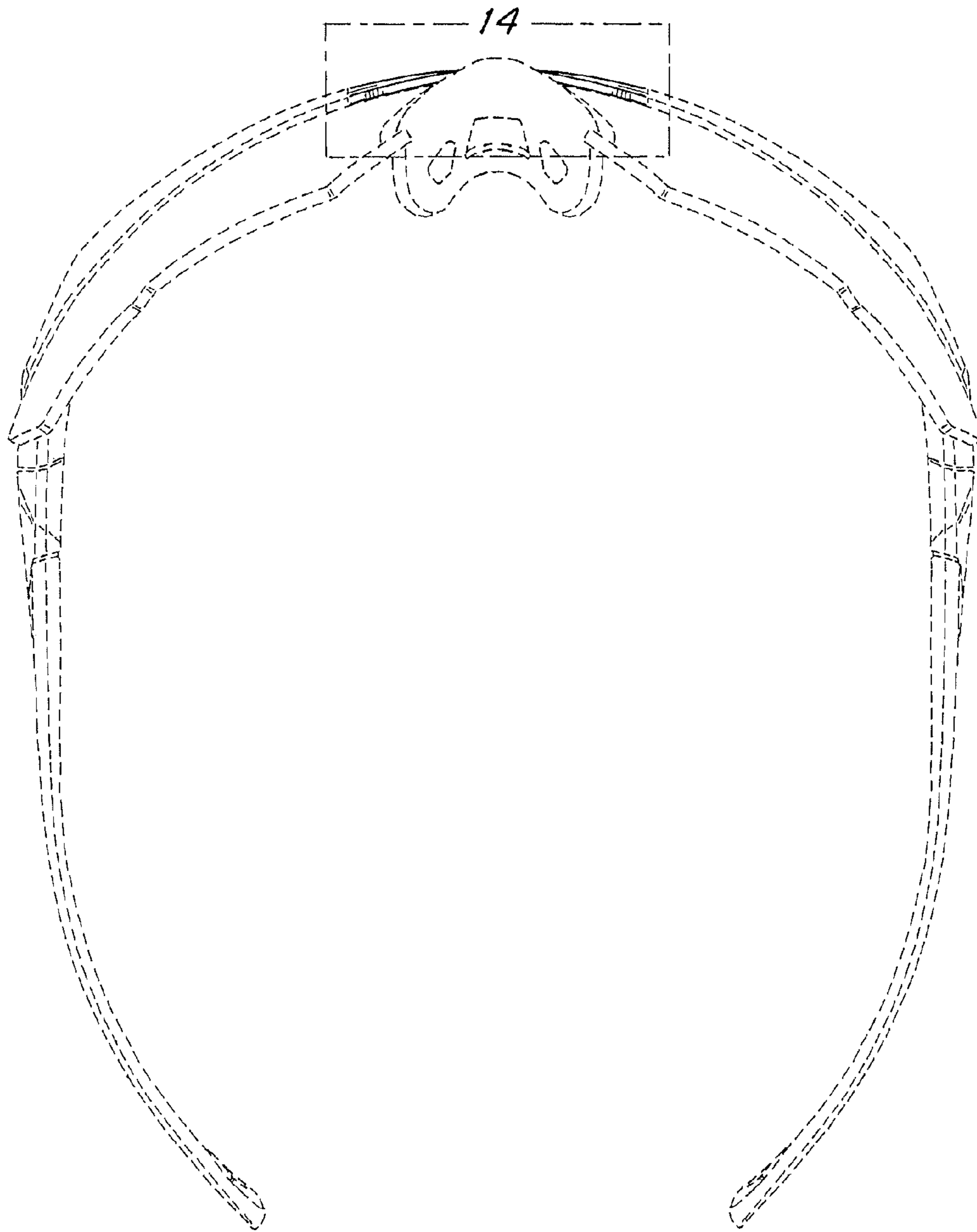


Fig. 7

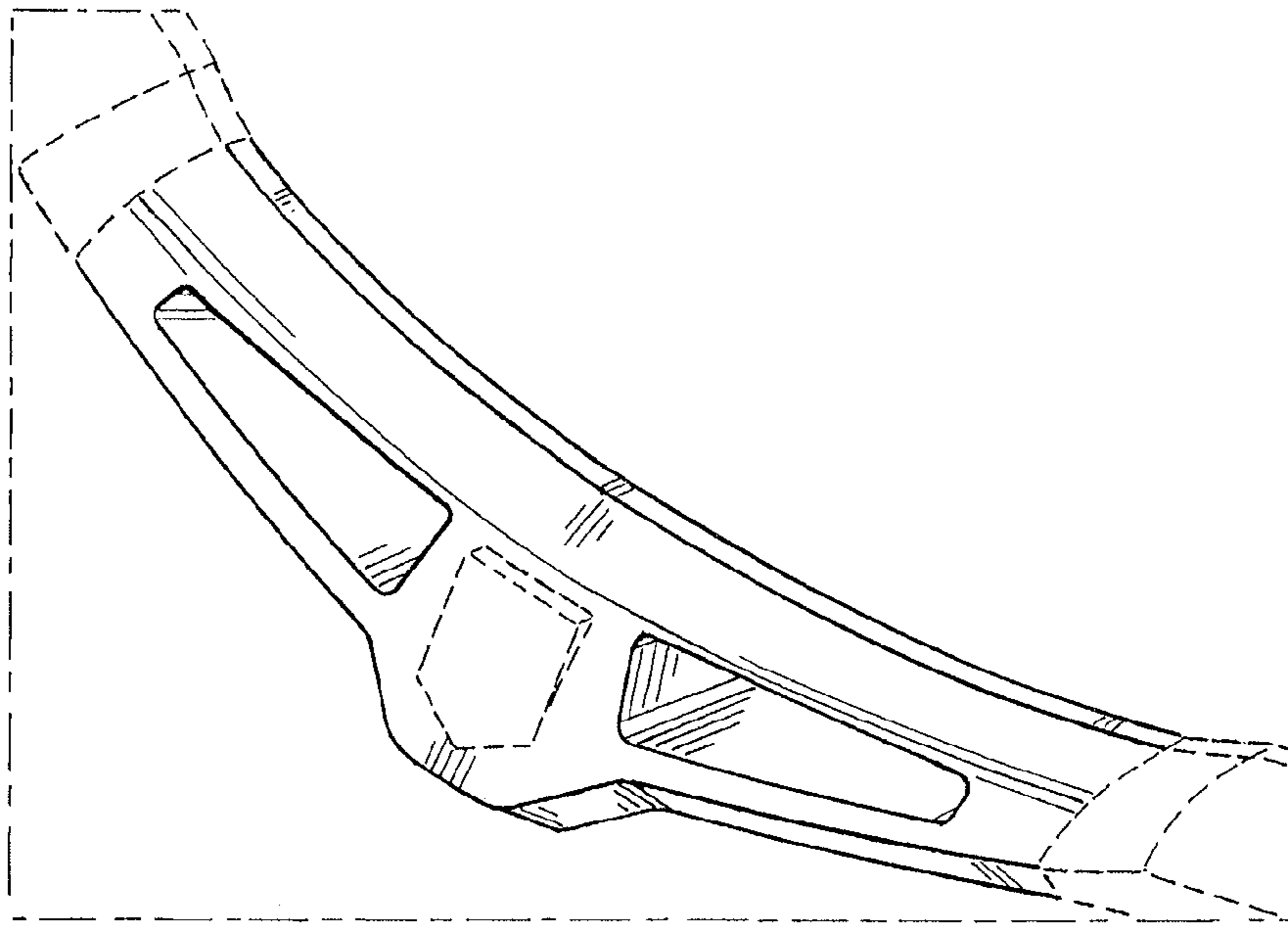


Fig. 8

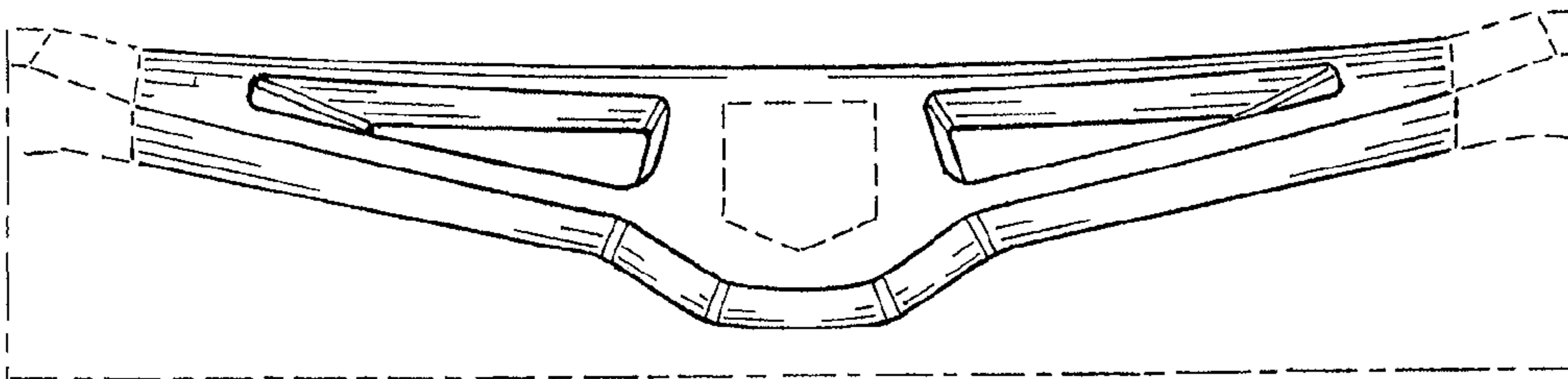


Fig. 9

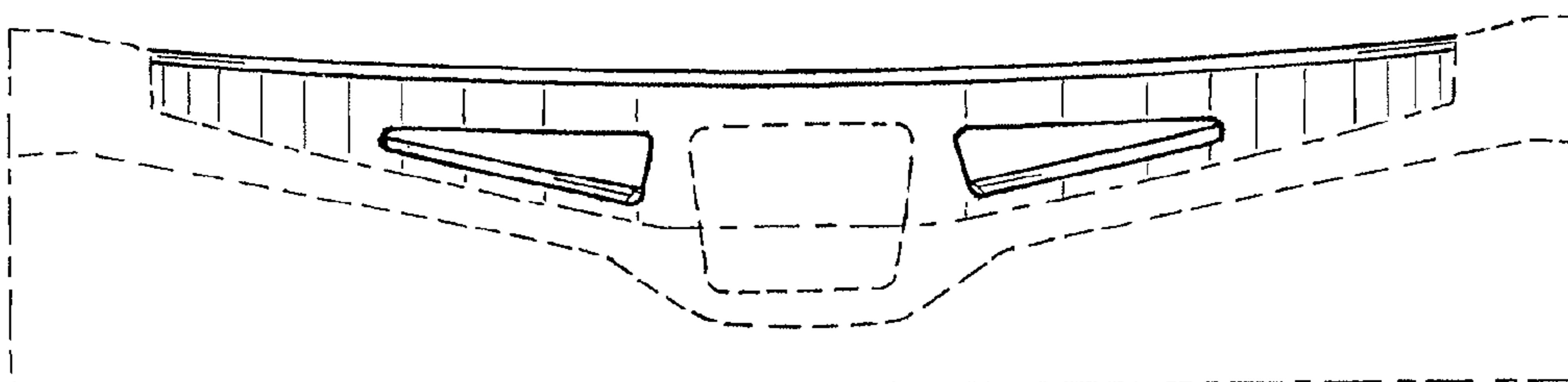


Fig. 10

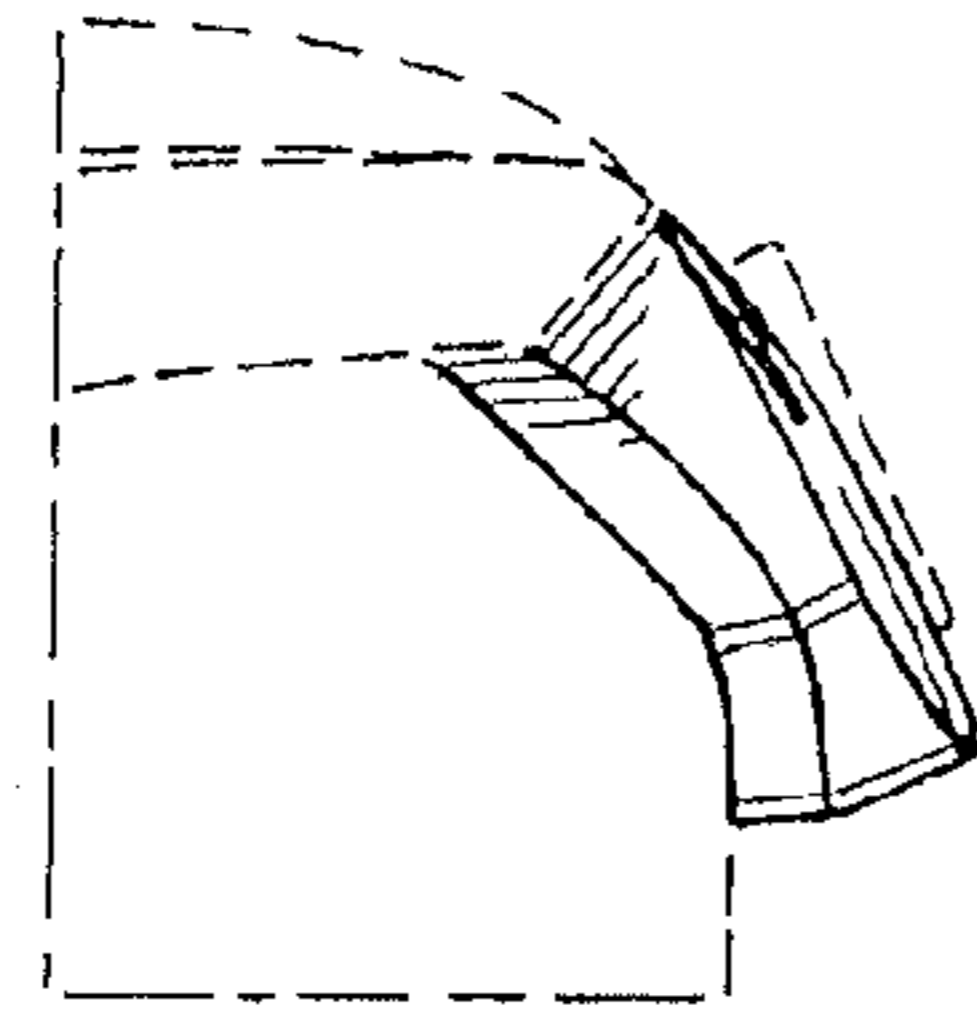


Fig. 11

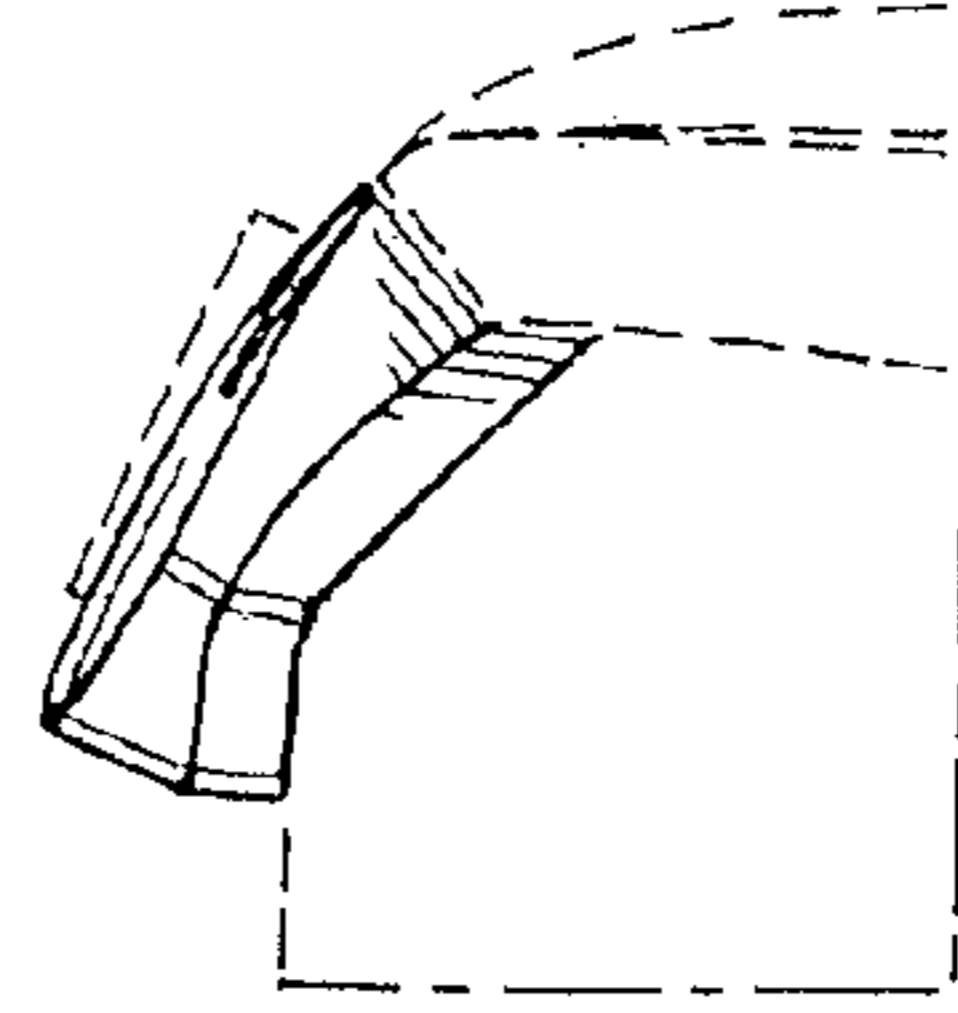


Fig. 12

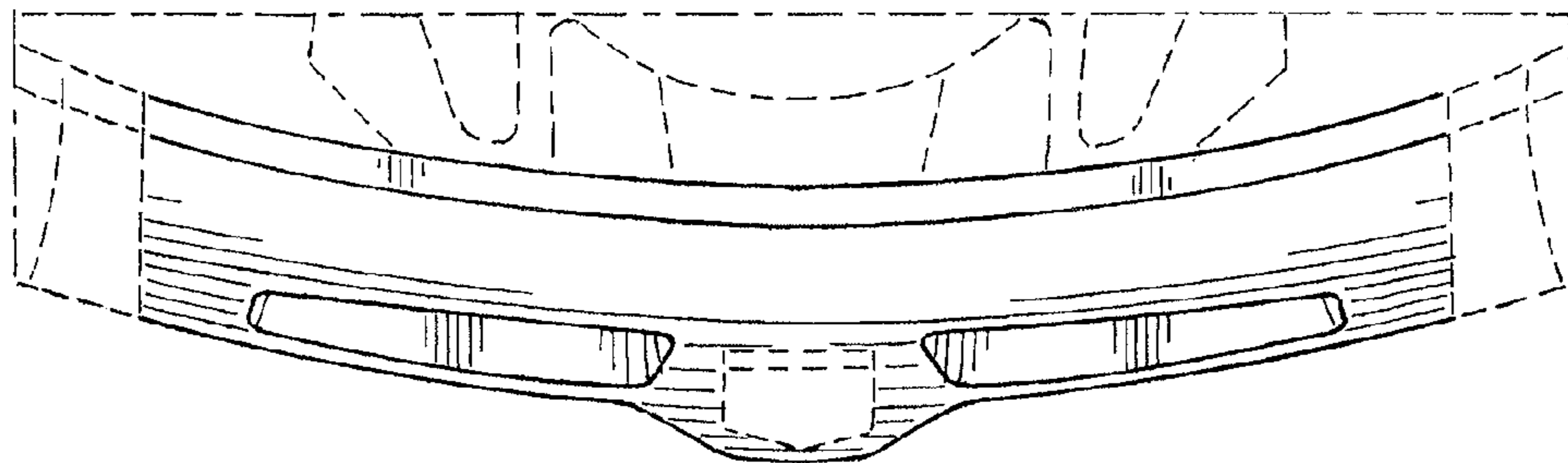


Fig. 13

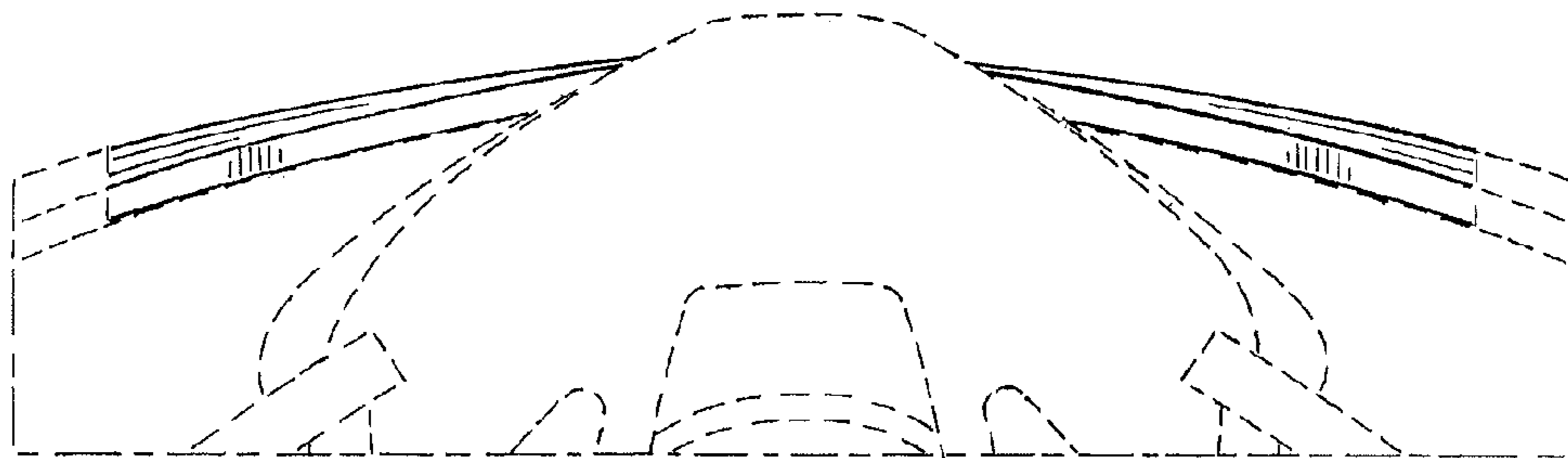


Fig. 14