



US00D735791S

(12) **United States Design Patent**
Morohoshi

(10) **Patent No.:** **US D735,791 S**

(45) **Date of Patent:** **** Aug. 4, 2015**

(54) **PROJECTOR**

(71) Applicant: **Hiroshi Morohoshi**, Ohta-ku (JP)

(72) Inventor: **Hiroshi Morohoshi**, Ohta-ku (JP)

(73) Assignee: **RICOH COMPANY, LTD.**, Tokyo (JP)

(**) Term: **14 Years**

(21) Appl. No.: **29/459,340**

(22) Filed: **Jun. 28, 2013**

(30) **Foreign Application Priority Data**

Jan. 8, 2013 (JP) 2013-000093

(51) **LOC (10) Cl.** **16-02**

(52) **U.S. Cl.**
USPC **D16/230**

(58) **Field of Classification Search**
USPC D16/221, 225, 230–231, 234, 235;
D21/514; 353/115, 119, 122
See application file for complete search history.

(56) **References Cited**

U.S. PATENT DOCUMENTS

D428,619 S *	7/2000	Saeki et al.	D16/230
D434,430 S *	11/2000	Saeki et al.	D16/231
D454,360 S *	3/2002	Shimizu et al.	D16/230
D464,074 S *	10/2002	Miyazaki	D16/230
D473,253 S *	4/2003	Shimamoto	D16/231

D475,729 S *	6/2003	Shiota et al.	D16/230
D506,770 S *	6/2005	Saeki et al.	D16/230
D577,051 S *	9/2008	Yamamizu	D16/230
D578,150 S *	10/2008	Sakamaki et al.	D16/230
7,841,721 B2 *	11/2010	Momose et al.	353/54
D663,346 S *	7/2012	Fujikawa et al.	D16/230
D711,453 S *	8/2014	Fujii et al.	D16/230

* cited by examiner

Primary Examiner — Wan Laymon

(74) *Attorney, Agent, or Firm* — Oblon, McClelland, Maier & Neustadt, L.L.P.

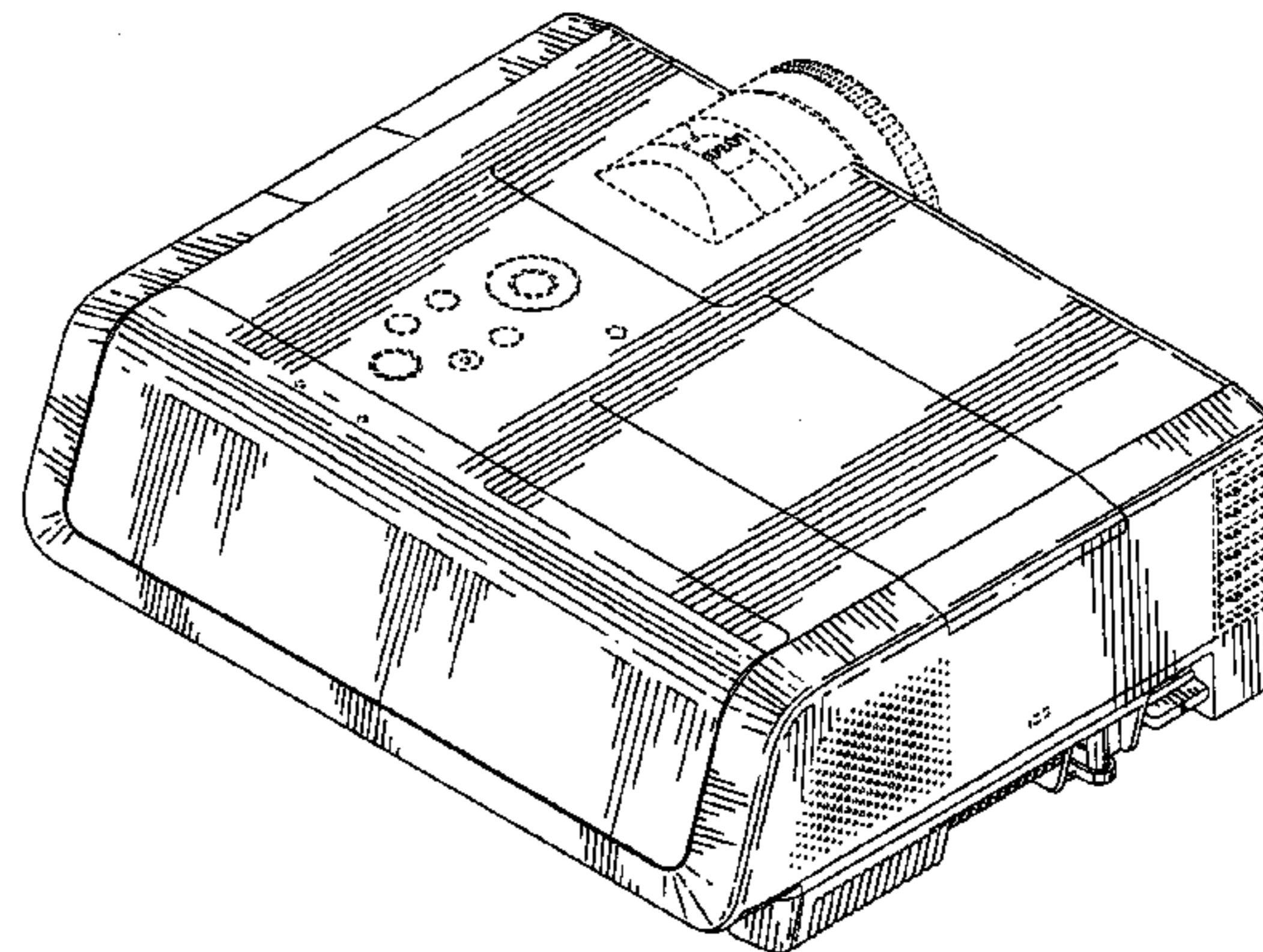
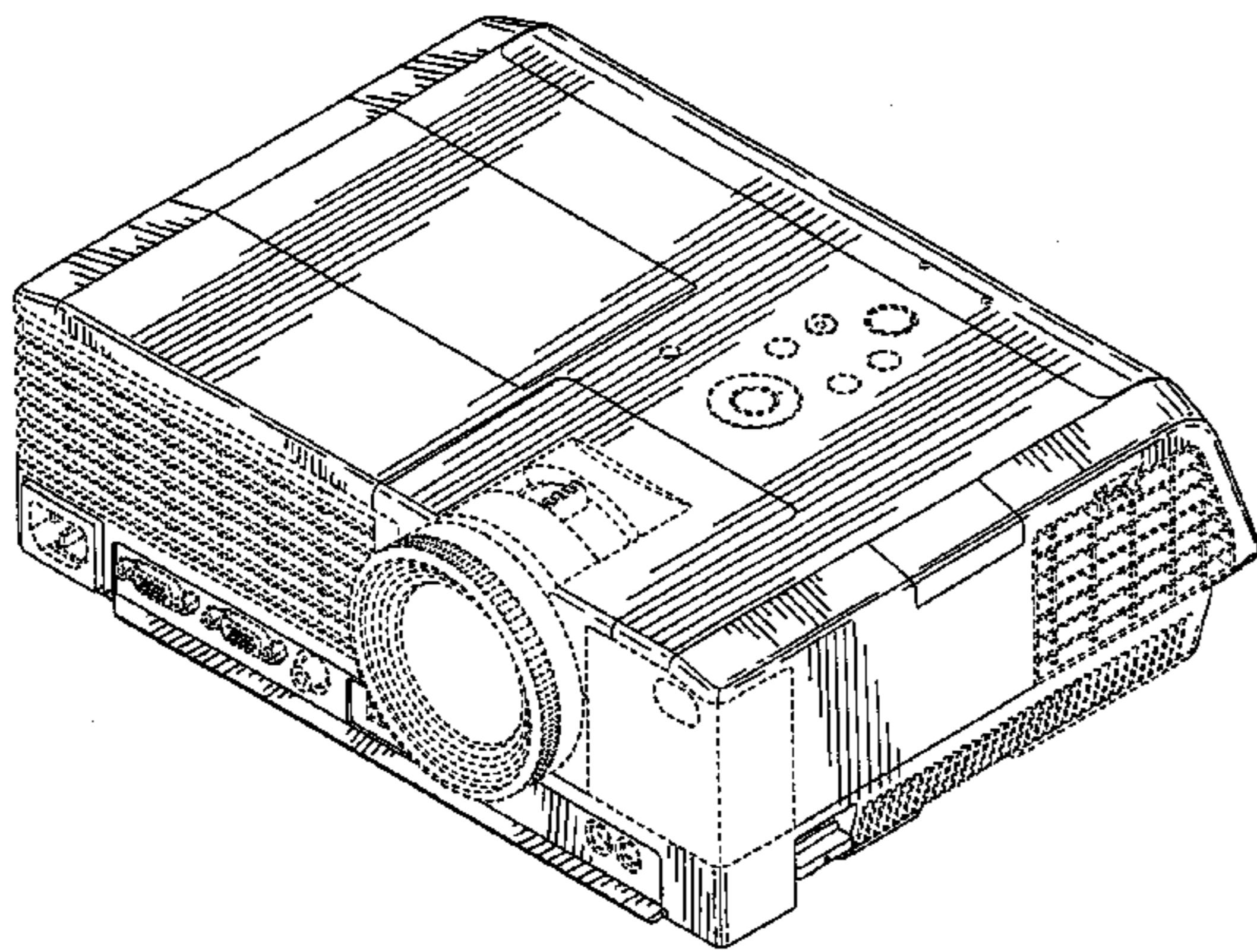
(57) **CLAIM**

The ornamental design for a projector, as shown and described.

DESCRIPTION

FIG. 1 is a front elevational view of a projector;
FIG. 2 is a rear elevational view thereof;
FIG. 3 is a left side elevational view thereof;
FIG. 4 is a right side elevational view thereof;
FIG. 5 is a top plan view thereof;
FIG. 6 is a bottom plan view thereof;
FIG. 7 is a front, top, and right side perspective view thereof;
and,
FIG. 8 is a rear, top, and left side perspective view thereof.
The broken lines in the drawings depict environmental subject matter only and form no part of the claimed design.

1 Claim, 4 Drawing Sheets



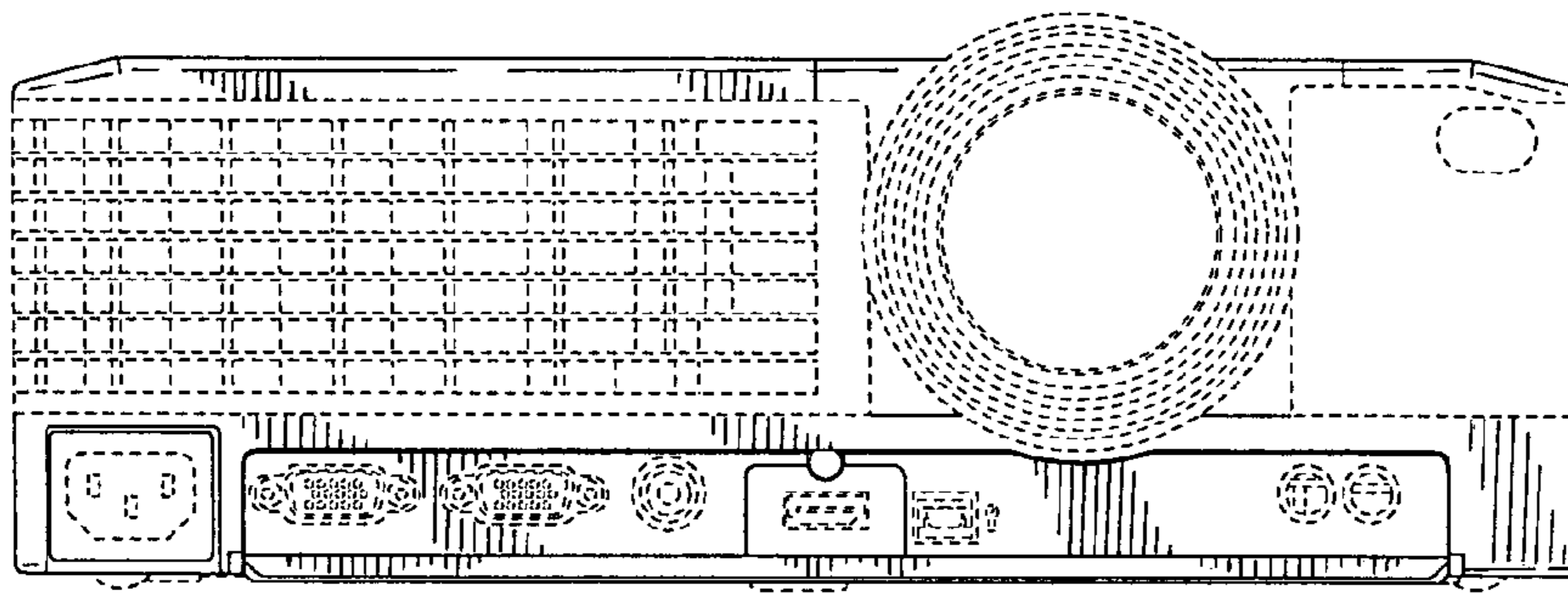


Fig. 1

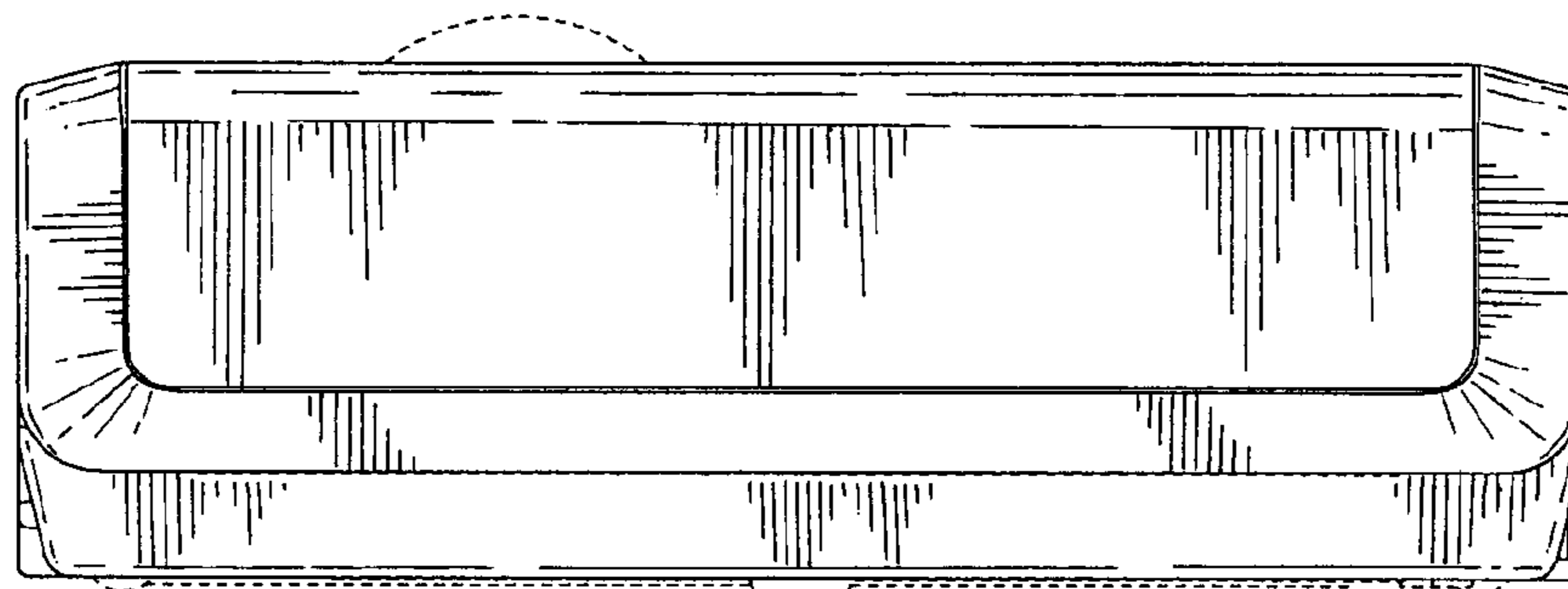


Fig. 2

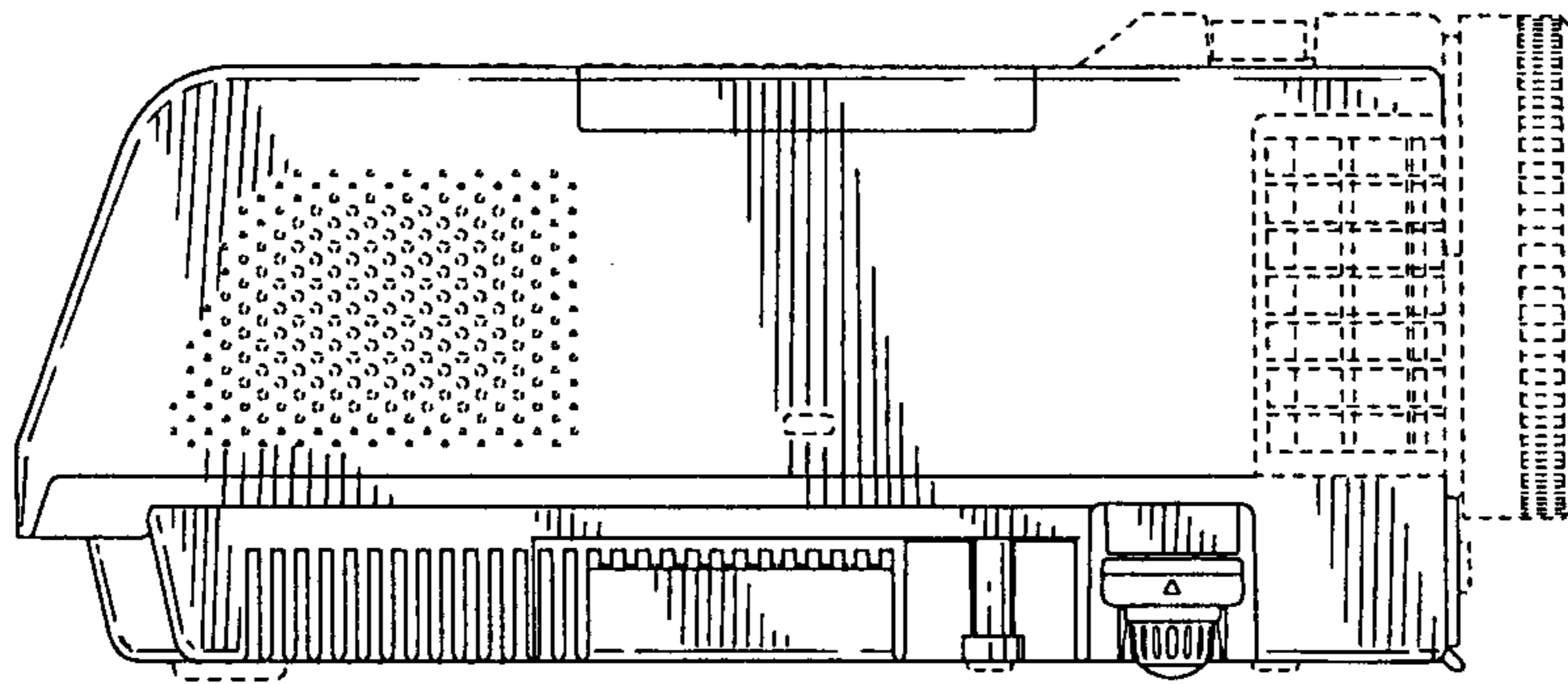


Fig. 3

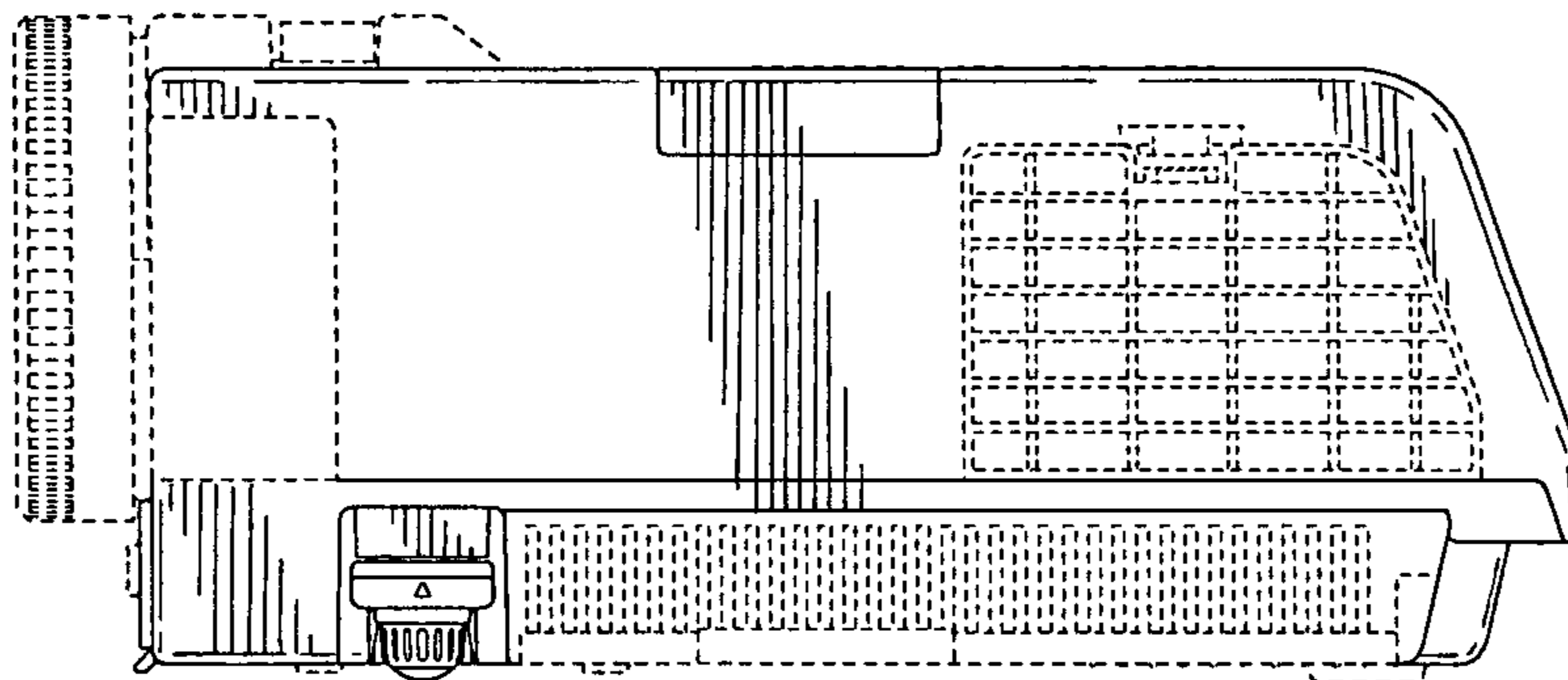


Fig. 4

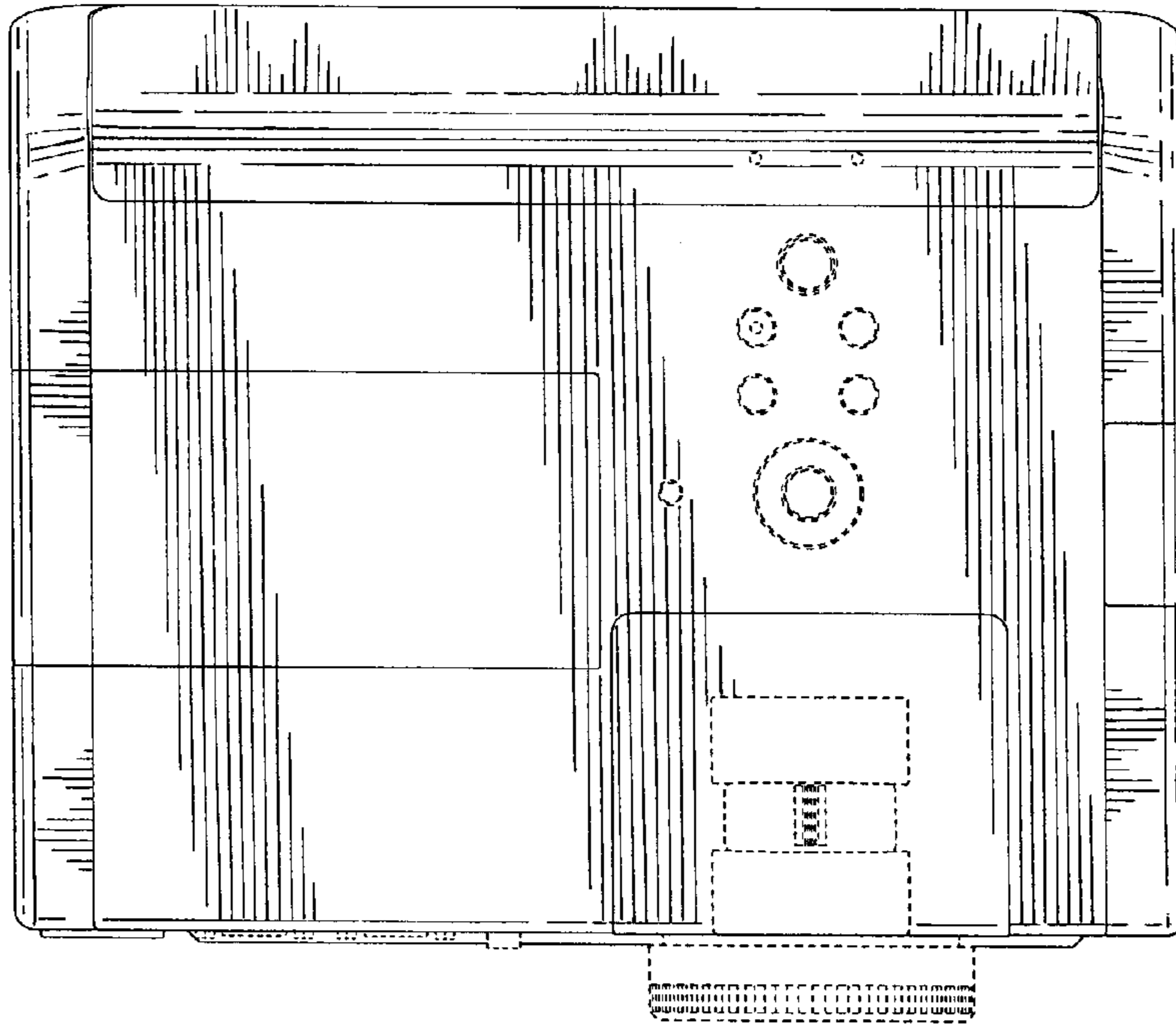


Fig. 5

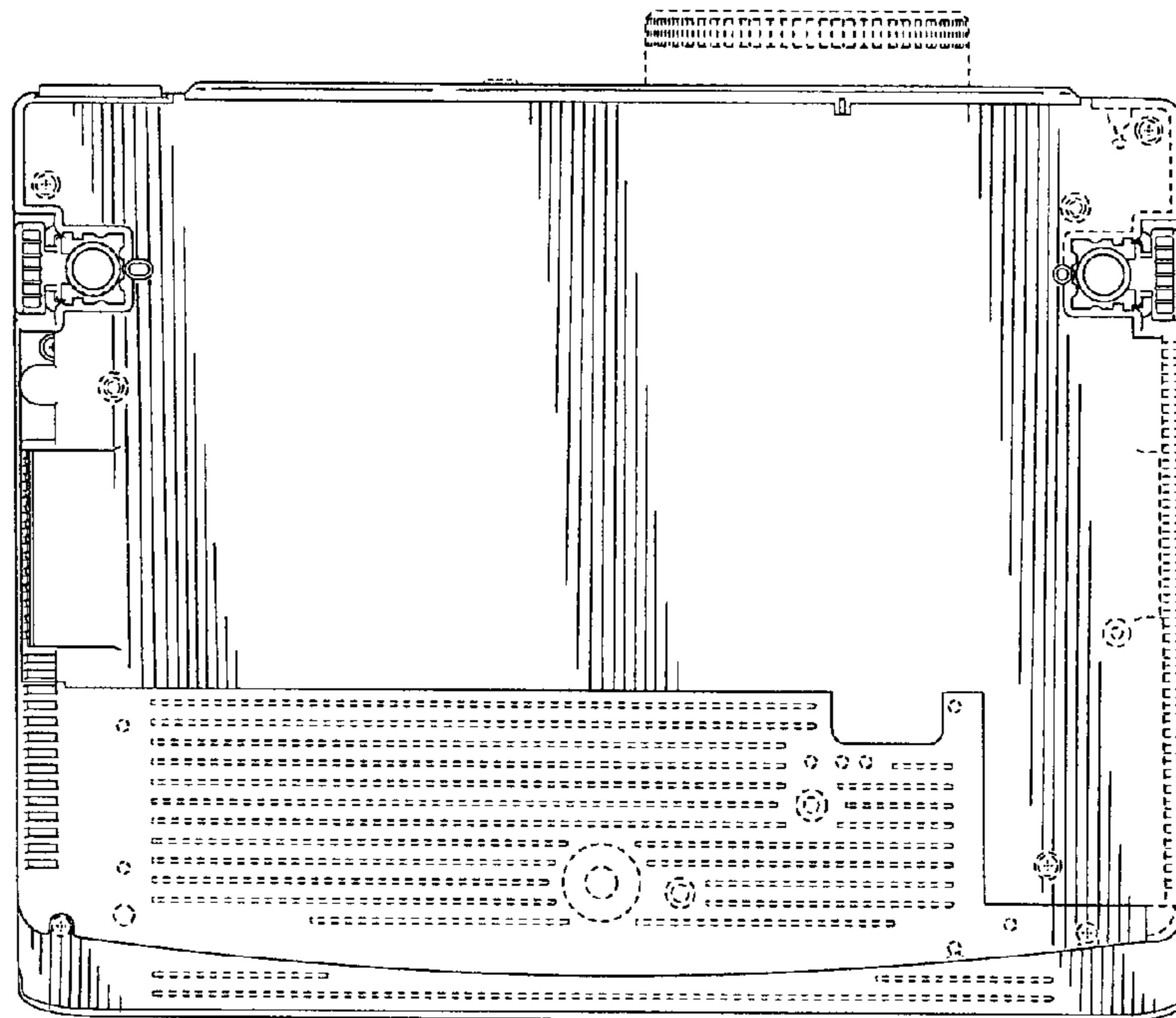


Fig. 6

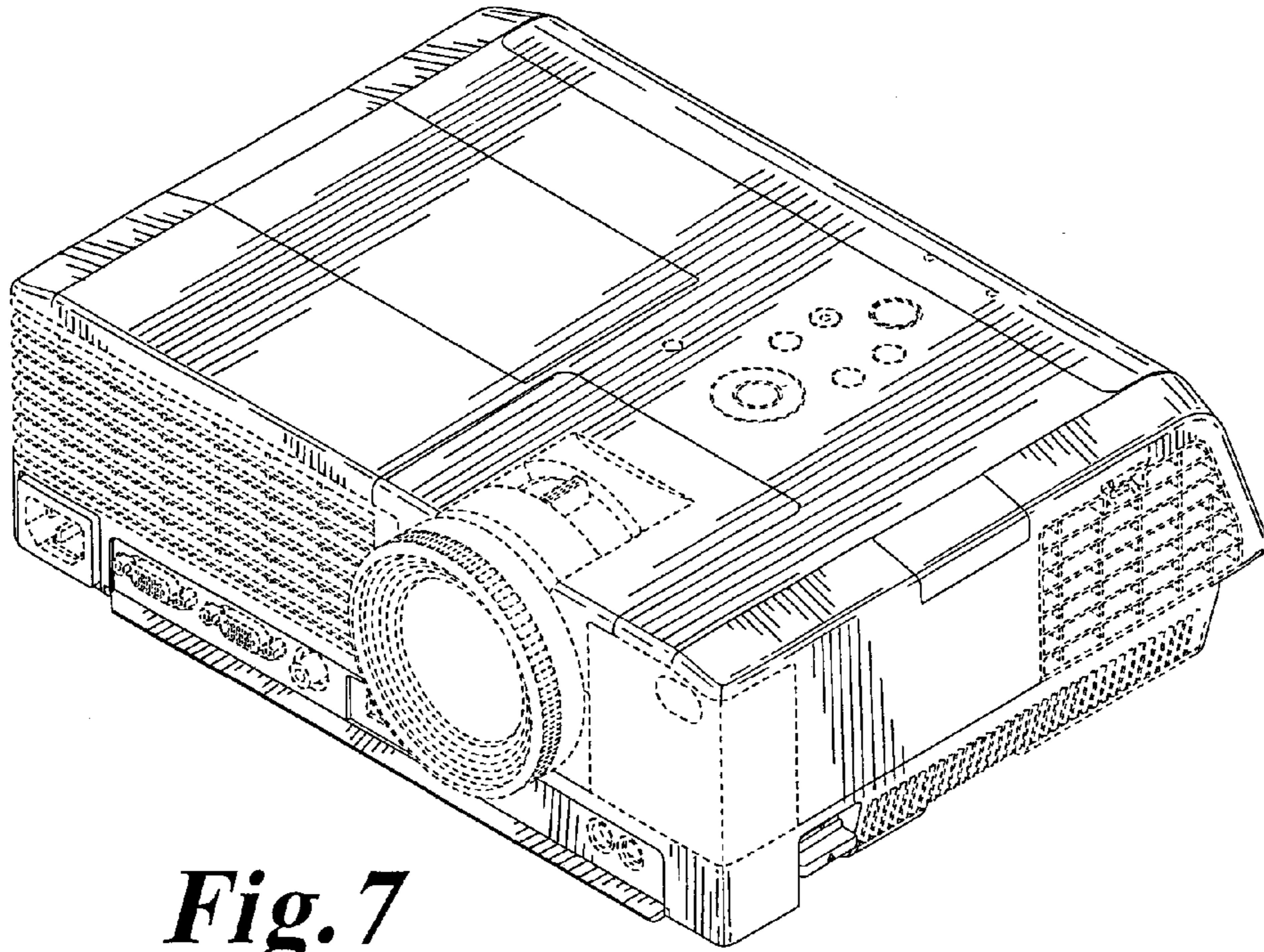


Fig. 7

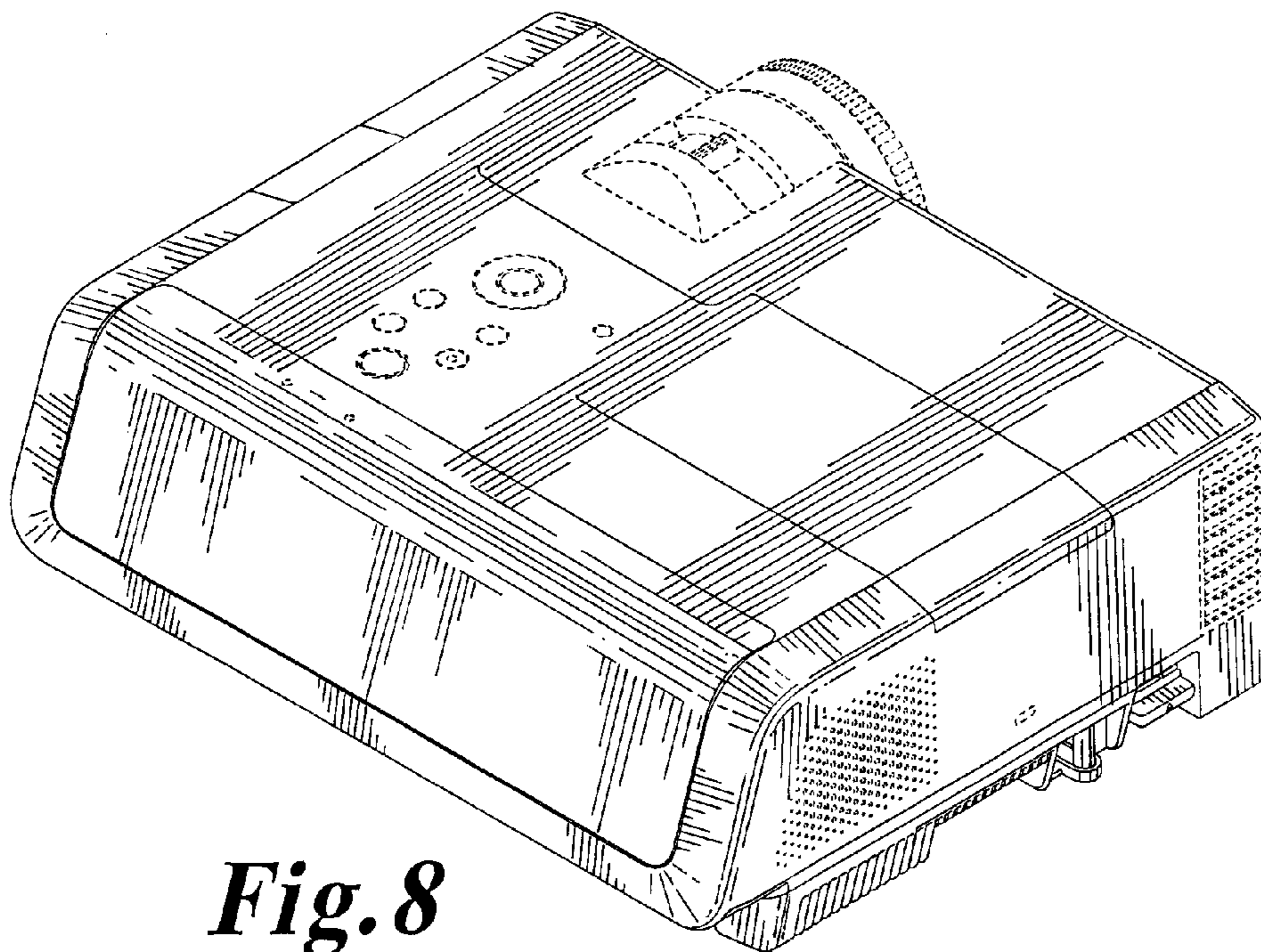


Fig. 8