



US00D735787S

(12) **United States Design Patent**
Hassan et al.

(10) **Patent No.:** **US D735,787 S**
(45) **Date of Patent:** **** Aug. 4, 2015**

- (54) **TAPERED NOZZLE**
- (71) Applicant: **Victor Equipment Company**, Denton, TX (US)
- (72) Inventors: **Khalid Hassan**, Denton, TX (US);
Glenn K. Redding, Flower Mound, TX (US); **Ross Fleischmann**, Denton, TX (US)
- (73) Assignee: **Victor Equipment Company**, Denton, TX (US)
- (**) Term: **14 Years**
- (21) Appl. No.: **29/503,030**
- (22) Filed: **Sep. 22, 2014**
- (51) **LOC (10) Cl.** **15-09**
- (52) **U.S. Cl.**
USPC **D15/144**
- (58) **Field of Classification Search**
USPC D8/29.1, 30; D15/144, 144.1, 144.2;
219/70, 137.44, 137.52
See application file for complete search history.

D446,231	S	*	8/2001	Kuraoka et al.	D15/144
D446,530	S	*	8/2001	Kuraoka et al.	D15/144
D456,680	S	*	5/2002	Cheng	D8/29.1
D492,709	S	*	7/2004	Horner-Richardson et al.	D15/144
D501,632	S	*	2/2005	Hewett et al.	D8/30
D584,150	S	*	1/2009	Gibson et al.	D9/453
D633,384	S	*	3/2011	Tanaka	D9/447
D639,903	S	*	6/2011	Plotzitzka et al.	D23/213
D644,714	S	*	9/2011	Mauchle et al.	D23/213
D670,356	S	*	11/2012	Sanwald	D23/213
D673,850	S	*	1/2013	Wadt	D9/448
D675,108	S	*	1/2013	Muhl et al.	D9/724
D716,965	S	*	11/2014	Fruscella	D24/224
D719,200	S	*	12/2014	Hassan	D15/144
D720,784	S	*	1/2015	Hassan	D15/144
D721,111	S	*	1/2015	Hassan	D15/144
2003/0209530	A1	*	11/2003	Stuart et al.	219/137.61
2007/0000895	A1	*	1/2007	Giese	219/137.61
2008/0230529	A1	*	9/2008	Rich	219/137.61
2008/0272101	A1	*	11/2008	Oh et al.	219/137.61
2009/0188896	A1	*	7/2009	Khakhalev et al.	219/74
2011/0266259	A1	*	11/2011	Kachline	219/75
2014/0091071	A1	*	4/2014	Dingeldein	219/137.42

* cited by examiner

Primary Examiner — Patricia Palasik
(74) *Attorney, Agent, or Firm* — Kacvinsky Daisak Bluni PLLC

(56) **References Cited**
U.S. PATENT DOCUMENTS

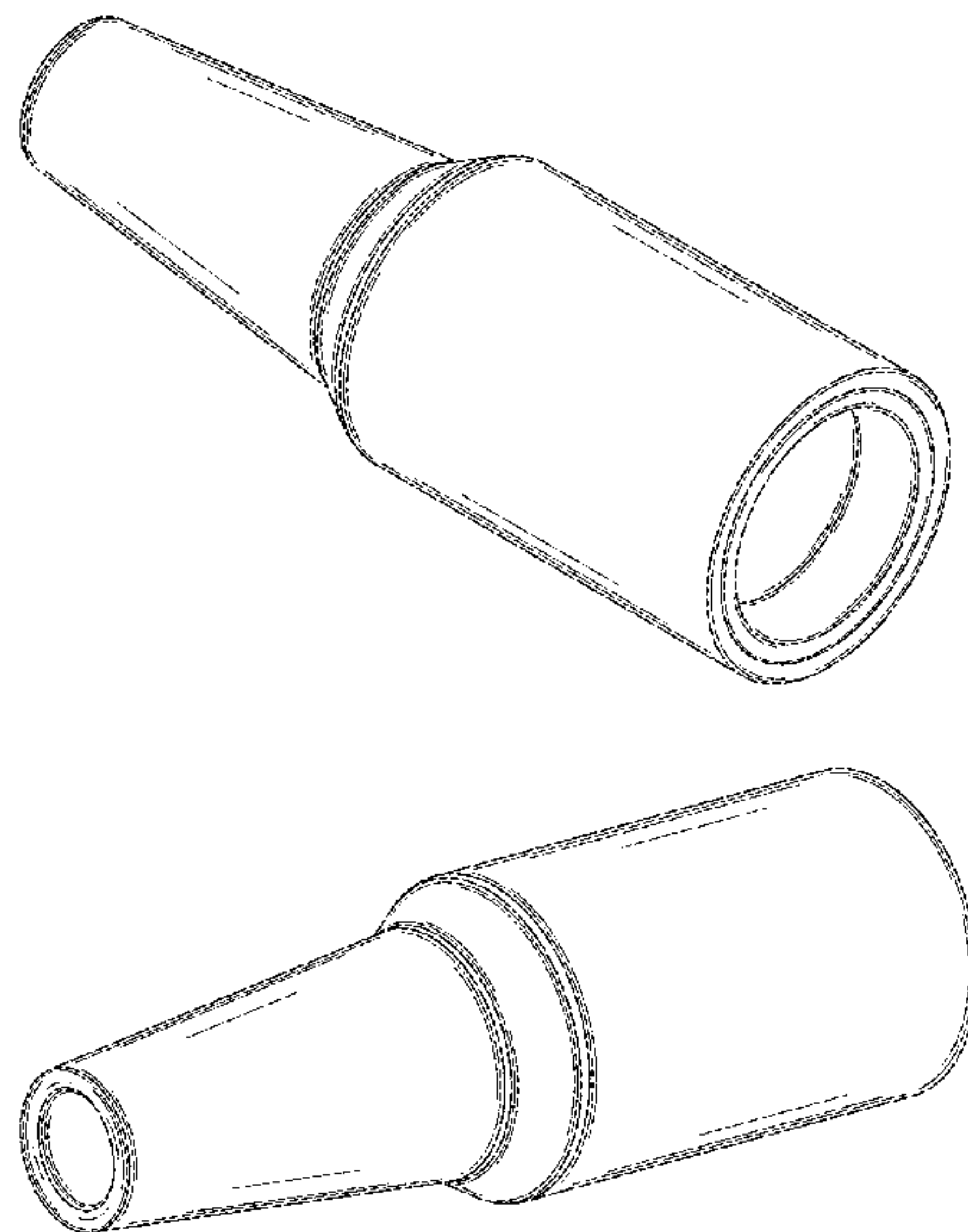
2,500,639	A	*	3/1950	Lerner	222/215
D198,964	S	*	8/1964	Dash	D24/115
D269,519	S	*	6/1983	Braun	D15/144
4,748,990	A	*	6/1988	Brown et al.	132/320
D300,265	S	*	3/1989	Brown et al.	D28/7
4,916,270	A	*	4/1990	West et al.	219/70
D338,159	S	*	8/1993	Densky et al.	D9/724
D365,345	S	*	12/1995	Carkhuff	D15/144
D369,648	S	*	5/1996	Fowler	D23/213
D384,484	S	*	9/1997	Ibarra et al.	D34/39
D417,459	S	*	12/1999	Shintani et al.	D15/144
D420,374	S	*	2/2000	Zigliotto	D15/144

(57) **CLAIM**
The ornamental design for a tapered nozzle, as shown and described.

DESCRIPTION

FIG. 1 is a rear perspective view of the tapered nozzle;
FIG. 2 is a front perspective view thereof;
FIG. 3 is a side view thereof;
FIG. 4 is a front view thereof; and,
FIG. 5 is a rear view thereof.

1 Claim, 5 Drawing Sheets



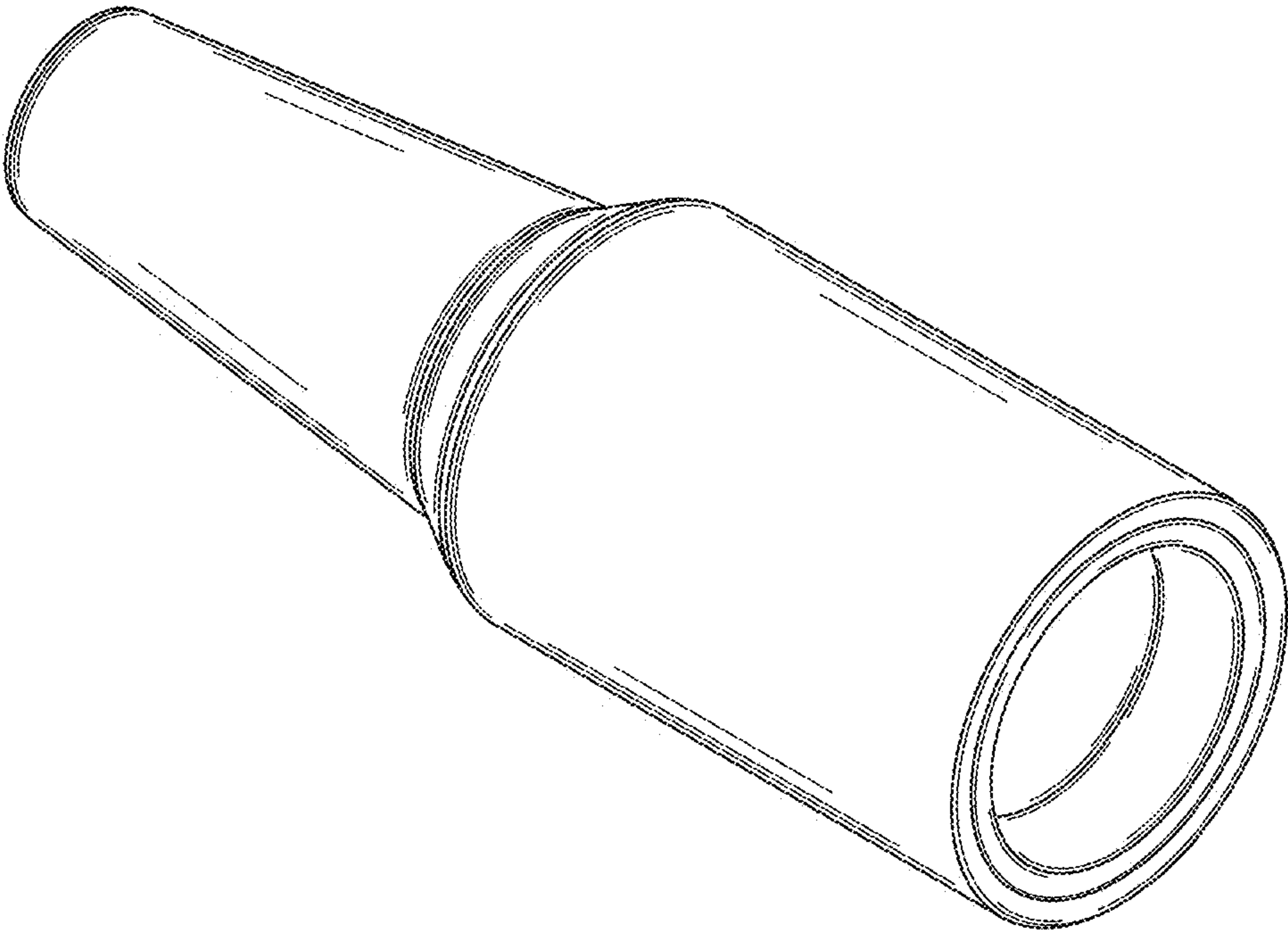


FIG. 1

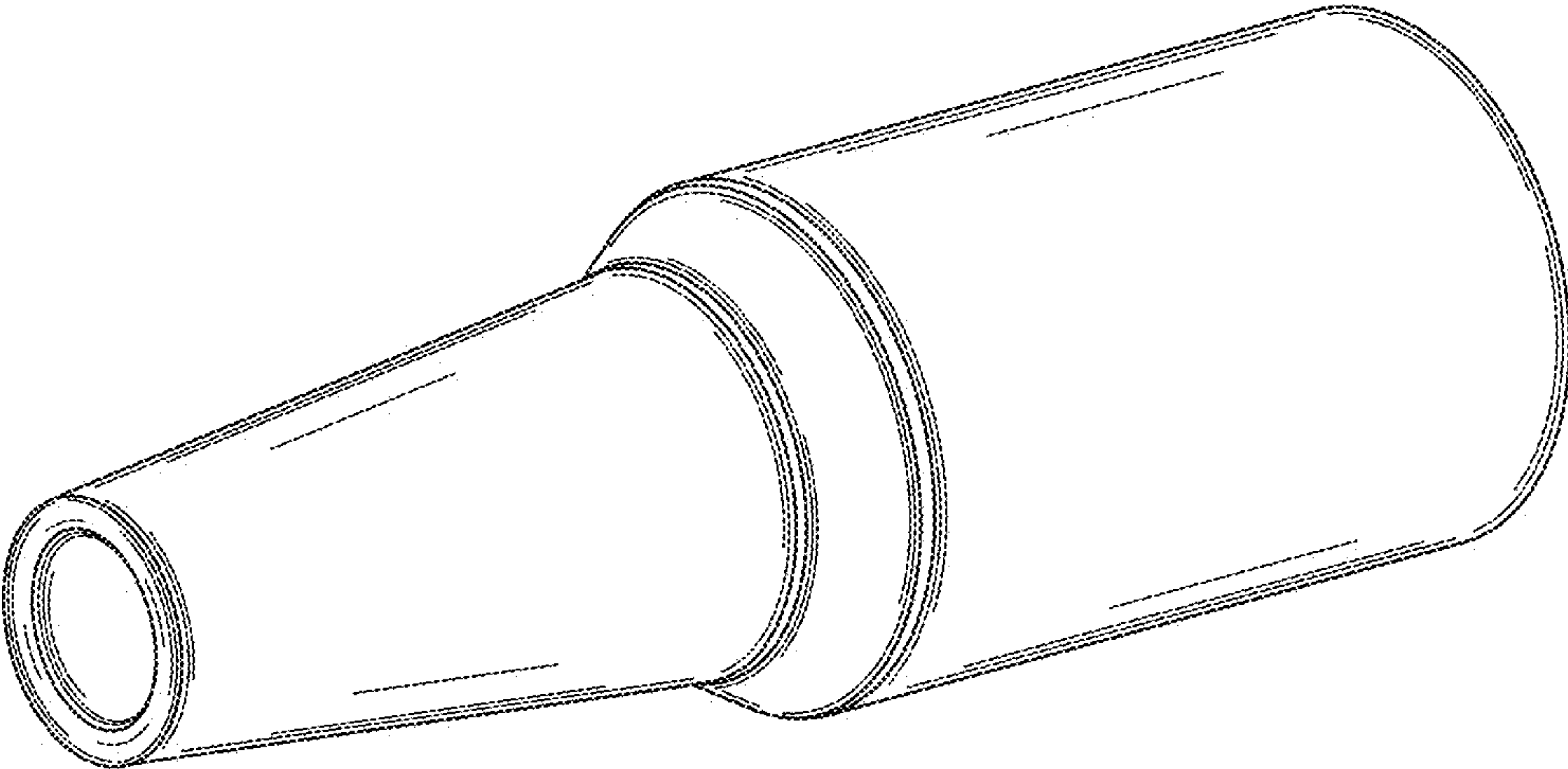


FIG. 2

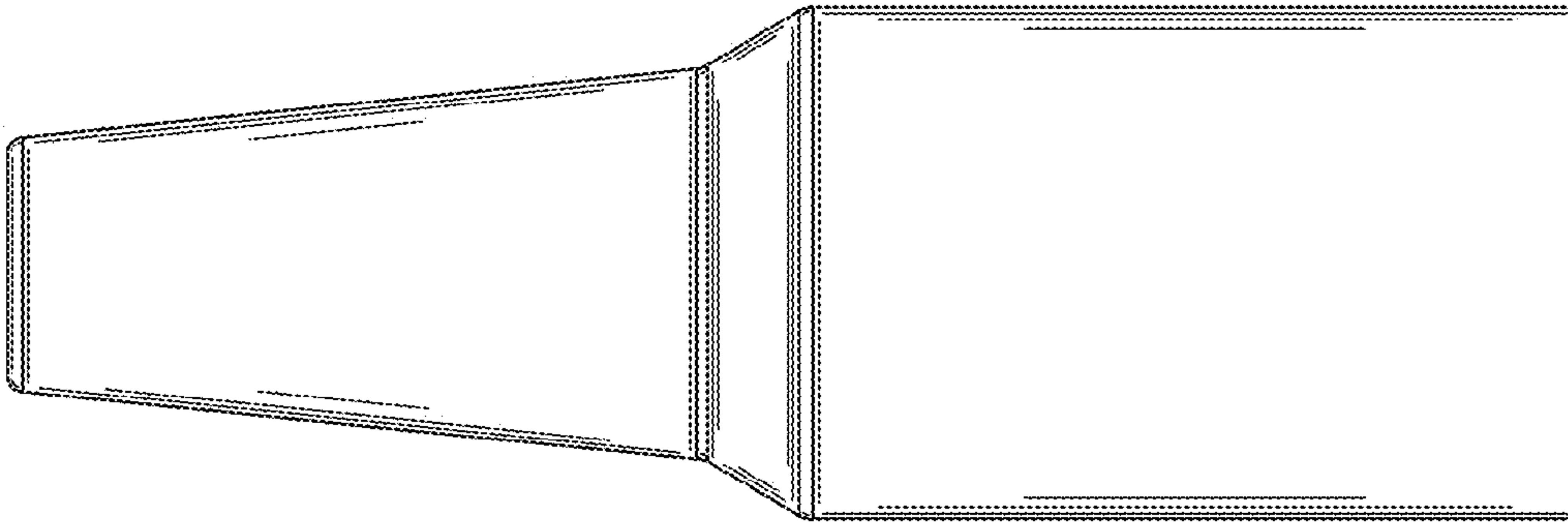


FIG. 3

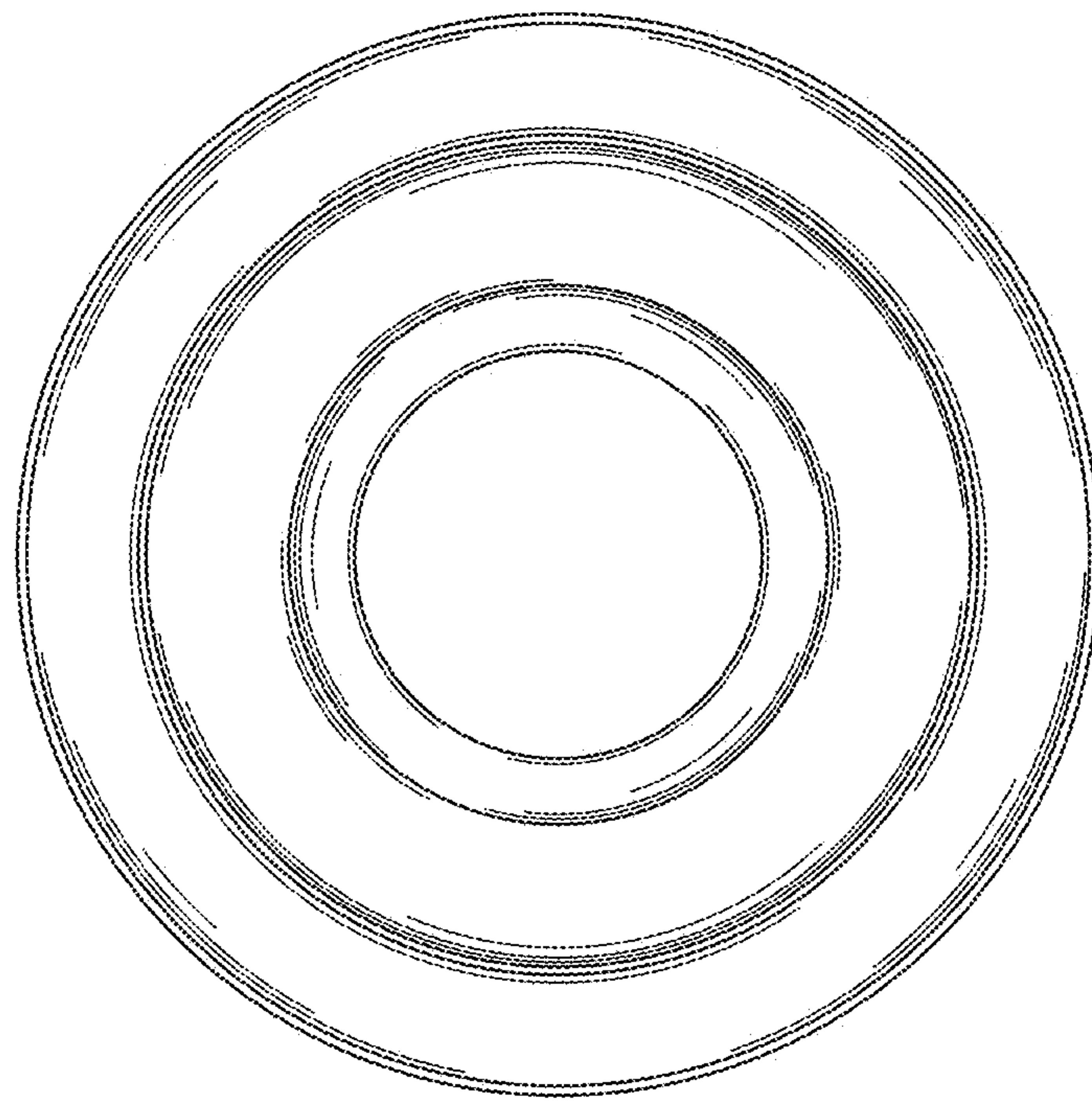


FIG. 4

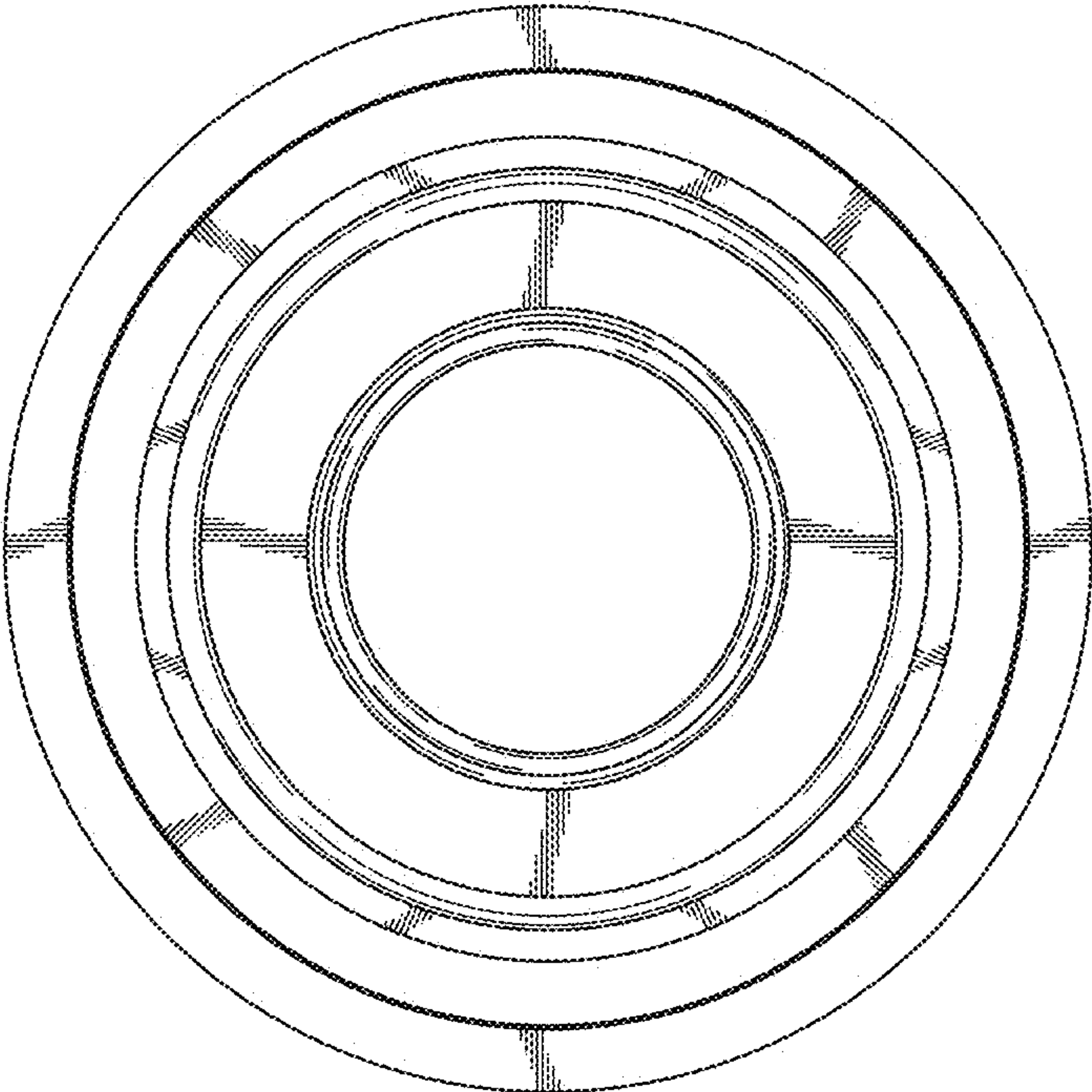


FIG. 5