



US00D735784S

(12) **United States Design Patent**
O'Malley

(10) **Patent No.:** **US D735,784 S**

(45) **Date of Patent:** **** Aug. 4, 2015**

(54) **MILL TOOL**

(71) Applicant: **ELEMENT SIX LIMITED**, County Clare (IE)

(72) Inventor: **Dermot Francis O'Malley**, Shannon (IE)

(73) Assignee: **Element Six Limited**, County Clare (IE)

(**) Term: **14 Years**

(21) Appl. No.: **29/473,995**

(22) Filed: **Nov. 27, 2013**

(30) **Foreign Application Priority Data**

| | | |
|---------------|------|----------------|
| Jul. 19, 2013 | (GB) | 1312954.9 |
| Nov. 27, 2013 | (EM) | 002352872-0001 |
| Nov. 27, 2013 | (EM) | 002352872-0002 |
| Nov. 27, 2013 | (EM) | 002352872-0003 |

(51) **LOC (10) Cl.** **15-09**

(52) **U.S. Cl.**
USPC **D15/131; D15/139**

(58) **Field of Classification Search**
USPC D15/128, 131, 138, 139, 140
See application file for complete search history.

(56) **References Cited**

U.S. PATENT DOCUMENTS

| | | | | |
|-----------|-----|---------|------------------|----------|
| 1,591,967 | A * | 7/1926 | Emerson | 451/474 |
| 1,603,739 | A * | 10/1926 | Borgeson | 408/229 |
| 1,747,713 | A * | 2/1930 | Havlista | 407/42 |
| 3,451,721 | A * | 6/1969 | Speirs et al. | 299/39.8 |
| 4,844,666 | A * | 7/1989 | Tsujimura et al. | 407/34 |
| 5,074,356 | A * | 12/1991 | Neff | 166/55.7 |
| D682,898 | S * | 5/2013 | Fujii | D15/139 |

| | | | | |
|-----------|------|--------|---------------|----------|
| 8,499,834 | B2 * | 8/2013 | Guidry et al. | 166/298 |
| 8,702,352 | B2 * | 4/2014 | Sjoo | 407/40 |
| D706,844 | S * | 6/2014 | Qiu et al. | D15/139 |
| 8,820,848 | B2 * | 9/2014 | Rotsch et al. | 299/39.4 |
| 8,974,155 | B2 * | 3/2015 | Dressler | 407/59 |

OTHER PUBLICATIONS

U.S. Appl. No. 29/480,831, Notice of Allowance mailed May 19, 2015, 12 pages.

U.S. Appl. No. 29/480,832, Notice of Allowance mailed May 13, 2015, 11 pages.

* cited by examiner

Primary Examiner — Patricia Palasik

(74) *Attorney, Agent, or Firm* — Dean W. Russell; Michael A. Bertelson; Kilpatrick Townsend & Stockton LLP

(57) **CLAIM**

The ornamental design for a mill tool, as shown and described.

DESCRIPTION

FIG. 1 is a front elevational view of a mill tool showing my new design;

FIG. 2 is a top elevational view thereof;

FIG. 3 is a back side elevational view thereof;

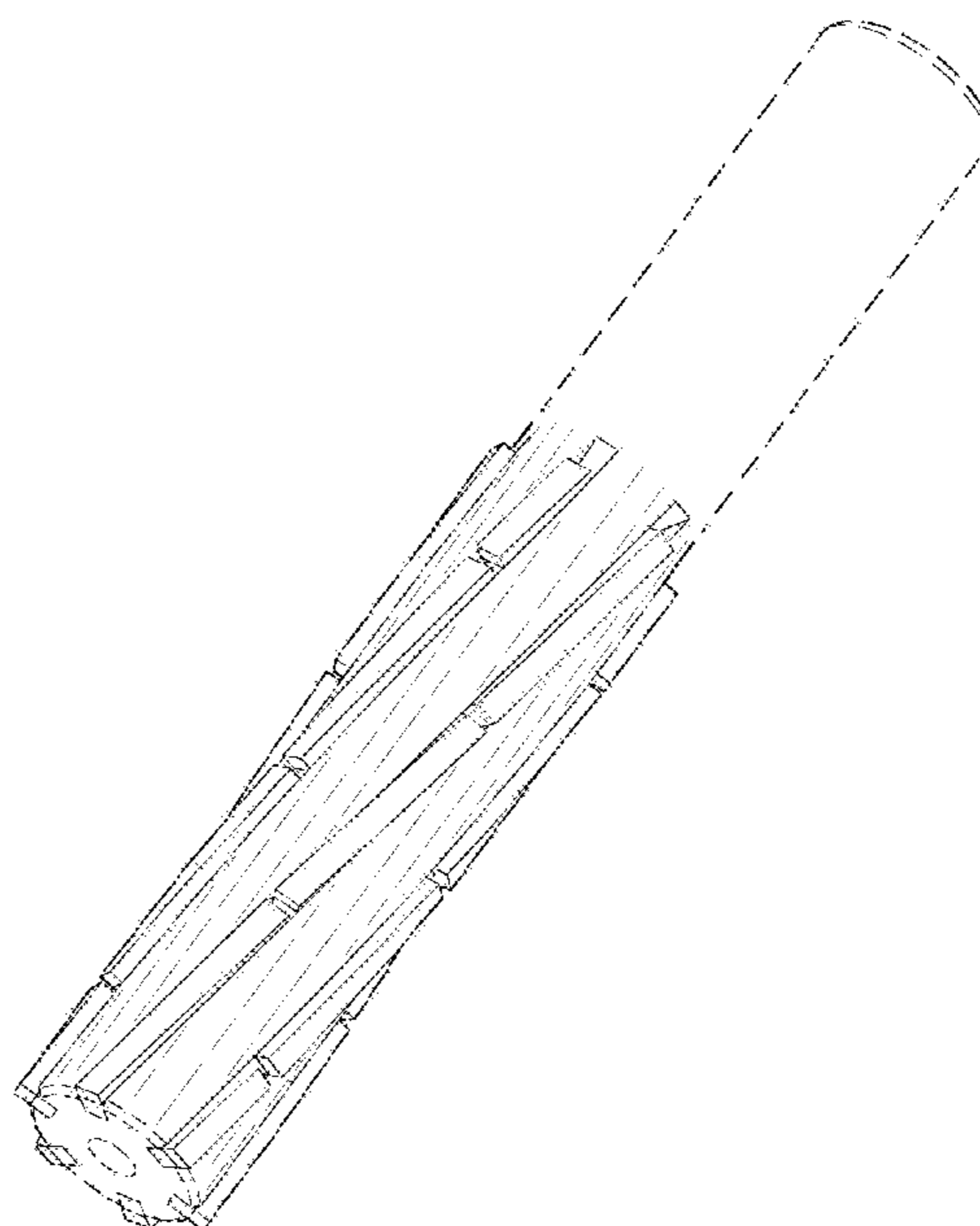
FIG. 4 is a left side elevational view thereof;

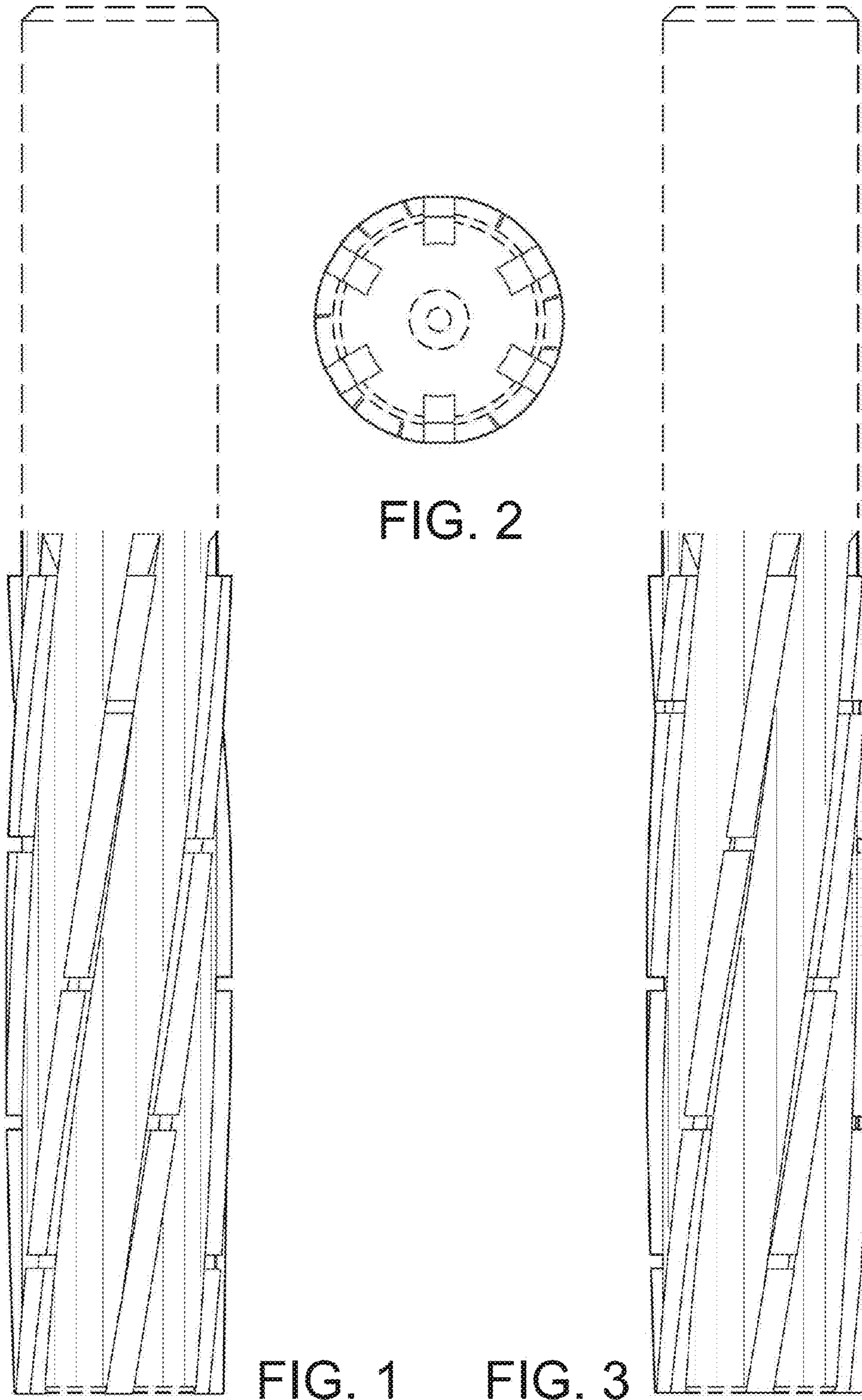
FIG. 5 is a right elevational view thereof; and,

FIG. 6 is a perspective view thereof.

The broken lines illustrate environmental structures and boundaries of the claimed design, and form no part of the claimed design.

1 Claim, 3 Drawing Sheets





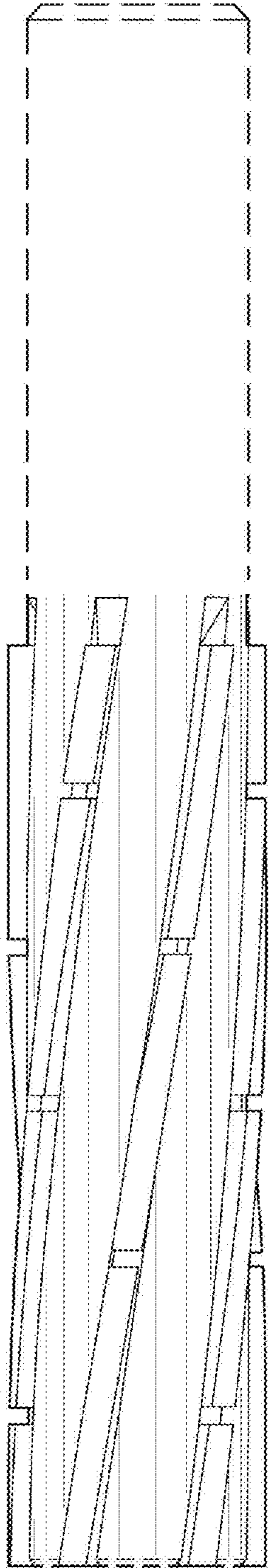


FIG. 4

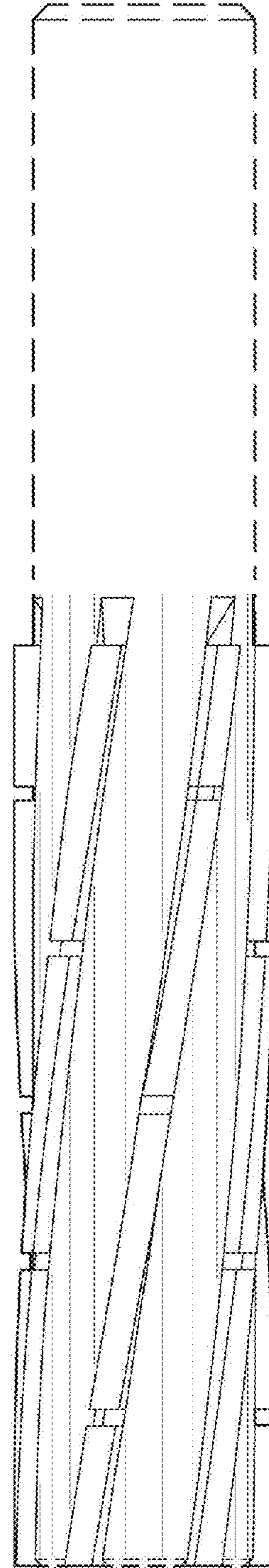


FIG. 5

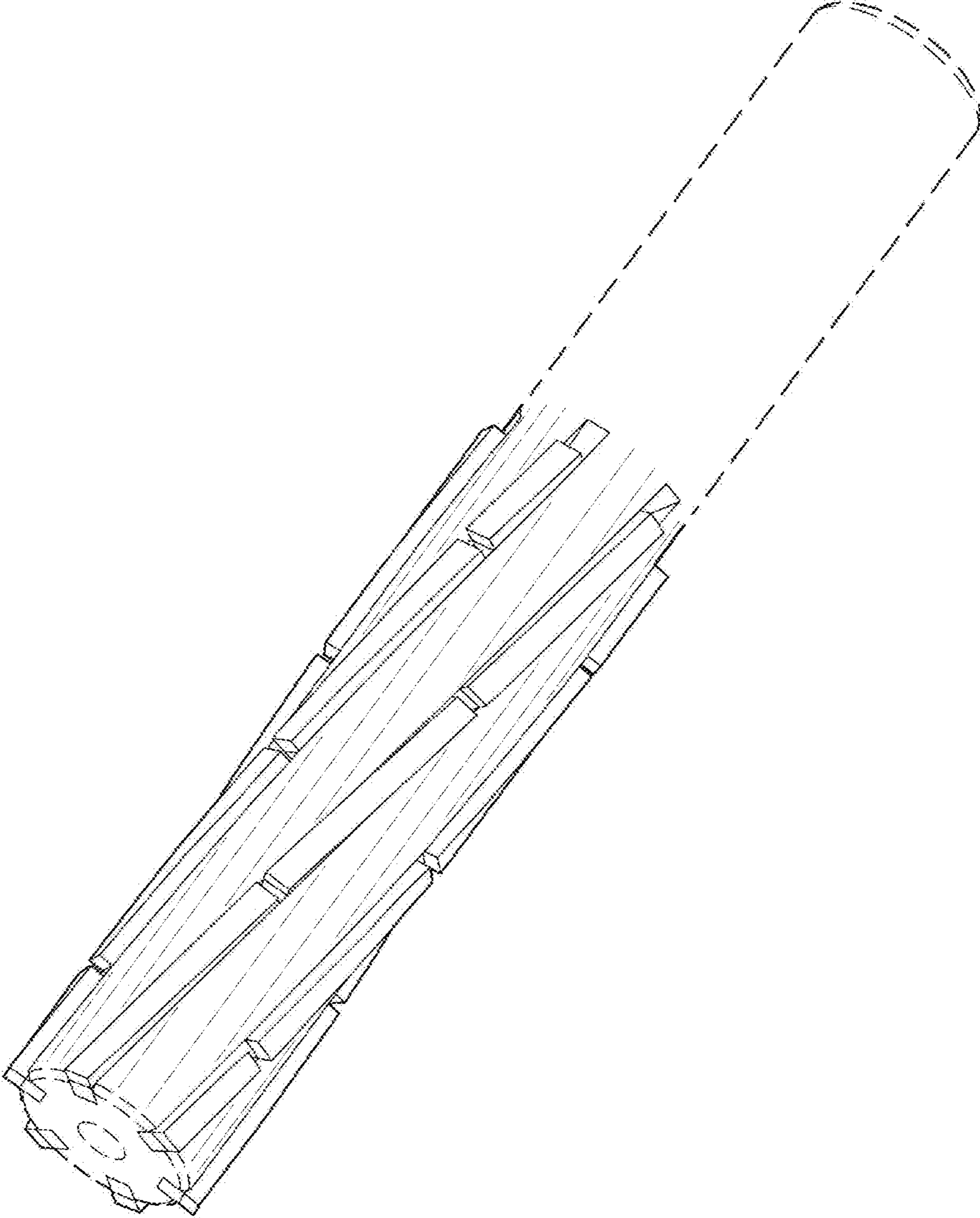


FIG. 6