



US00D735783S

(12) **United States Design Patent**
McConnell

(10) **Patent No.:** **US D735,783 S**
(45) **Date of Patent:** **** Aug. 4, 2015**

(54) **COMBINED APPLIANCE CABINET**
INTERIOR LINER AND DOOR BIN WITH
COLOR

(71) Applicant: **Whirlpool Corporation**, Benton Harbor,
MI (US)

(72) Inventor: **Jessica McConnell**, St. Joseph, MI (US)

(73) Assignee: **Whirlpool Corporation**, Benton Harbor,
MI (US)

(**) Term: **14 Years**

(21) Appl. No.: **29/450,169**

(22) Filed: **Mar. 15, 2013**

(51) **LOC (10) Cl.** **15-07**

(52) **U.S. Cl.**
USPC **D15/89**

(58) **Field of Classification Search**
USPC D15/79, 81, 84, 85, 86, 88, 89, 91
CPC F25D 2323/02; F25D 2323/021; F25D
2317/06; F25D 2317/062; F25D 2323/121;
F25D 2323/122; F25D 2331/806; F25D
2400/36; F25D 13/02; F25D 13/04; F25D
11/02; F25D 11/025

See application file for complete search history.

(56) **References Cited**

U.S. PATENT DOCUMENTS

D508,249 S *	8/2005	Seok et al.	D15/86
D511,177 S *	11/2005	Jackovin et al.	D15/89
D511,179 S *	11/2005	Tunzi	D15/89
D518,832 S *	4/2006	Park et al.	D15/85
D616,001 S	5/2010	Yang et al.	
D629,819 S *	12/2010	Placke et al.	D15/89
D639,315 S *	6/2011	Yang et al.	D15/85
D647,927 S *	11/2011	Lee et al.	D15/85
D654,515 S *	2/2012	Hwang et al.	D15/85
D655,321 S *	3/2012	Lee et al.	D15/86
D658,214 S	4/2012	Seo et al.	
D668,696 S	10/2012	Seo et al.	
D671,151 S	11/2012	Seo et al.	
D671,572 S	11/2012	Seo et al.	

D674,417 S	1/2013	Seo et al.	
D685,010 S	6/2013	Seo et al.	
D707,735 S *	6/2014	Cho et al.	D15/91
D710,401 S *	8/2014	Ringemann et al.	D15/85
D710,402 S *	8/2014	Jeon et al.	D15/86
D716,851 S *	11/2014	Seo et al.	D15/89
D718,346 S *	11/2014	Cho et al.	D15/81
D718,349 S *	11/2014	Cho et al.	D15/85

* cited by examiner

Primary Examiner — Ian Simmons
Assistant Examiner — Khawaja Anwar

(57) **CLAIM**

I claim the ornamental design for a combined appliance cabinet interior liner and door bin with color, as shown and described.

DESCRIPTION

FIG. 1 is a perspective view of the outside of a refrigerator of the present invention;
 FIG. 2 is a front plan view of the outside of a refrigerator of the present invention;
 FIG. 3 is a right side plan view of the outside of a refrigerator of the present invention;
 FIG. 4 is a top plan view of the outside of a refrigerator of the present invention;
 FIG. 5 is a bottom plan view of the outside of a refrigerator of the present invention;
 FIG. 6 is a front perspective view with the cabinet doors open of the present invention;
 FIG. 7 is a front plan view of the cabinet interior of the present invention;
 FIG. 8 is a perspective view of the right side of the cabinet interior of the present invention;
 FIG. 9 is a perspective view of the left side of the cabinet interior of the present invention;
 FIG. 10 is a perspective view of the right door of the present invention;
 FIG. 11 is a plan view of the right door of the present invention;
 FIG. 12 is a perspective view of the left door of the present invention;
 FIG. 13 is a plan view of the left door of the present invention;

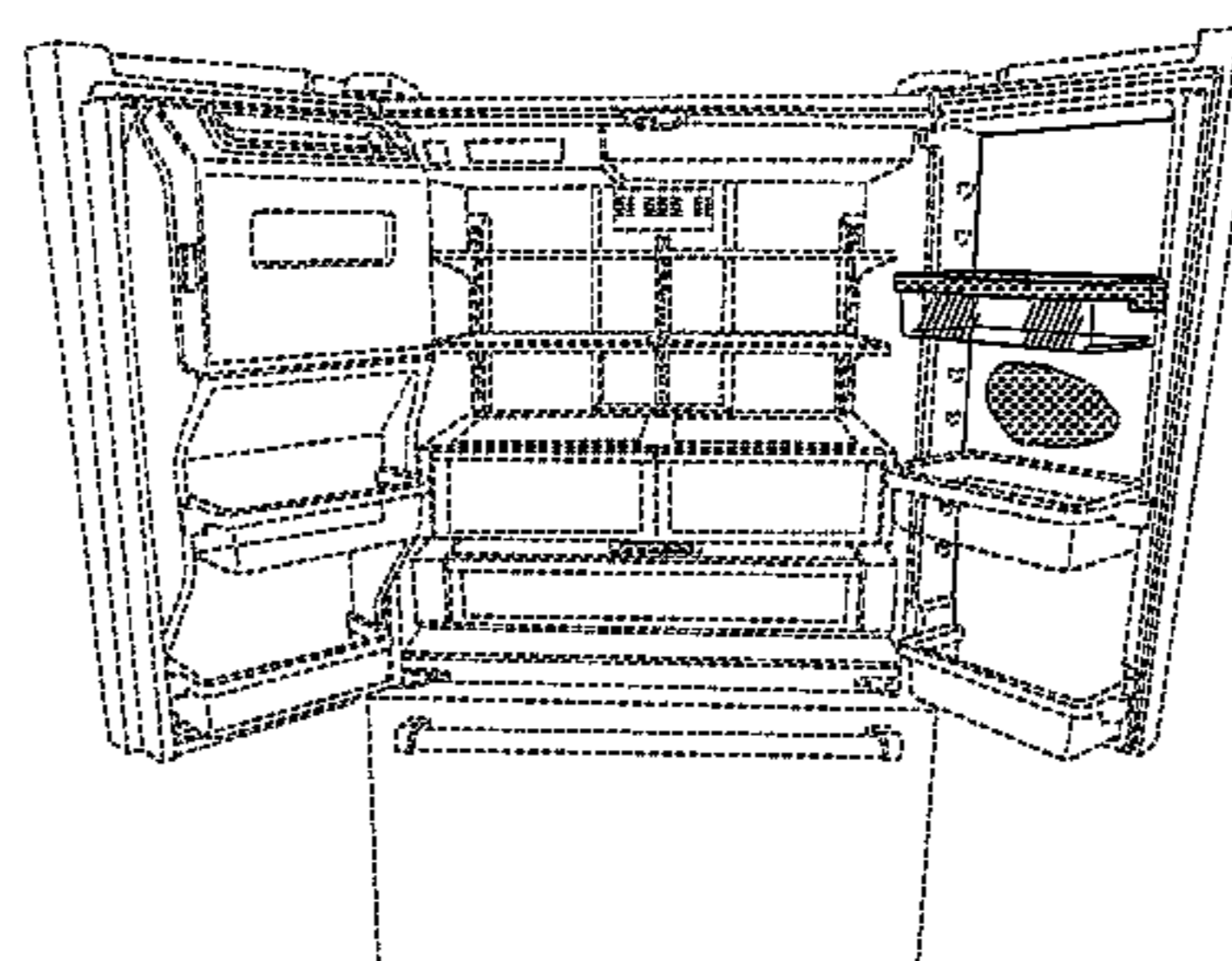
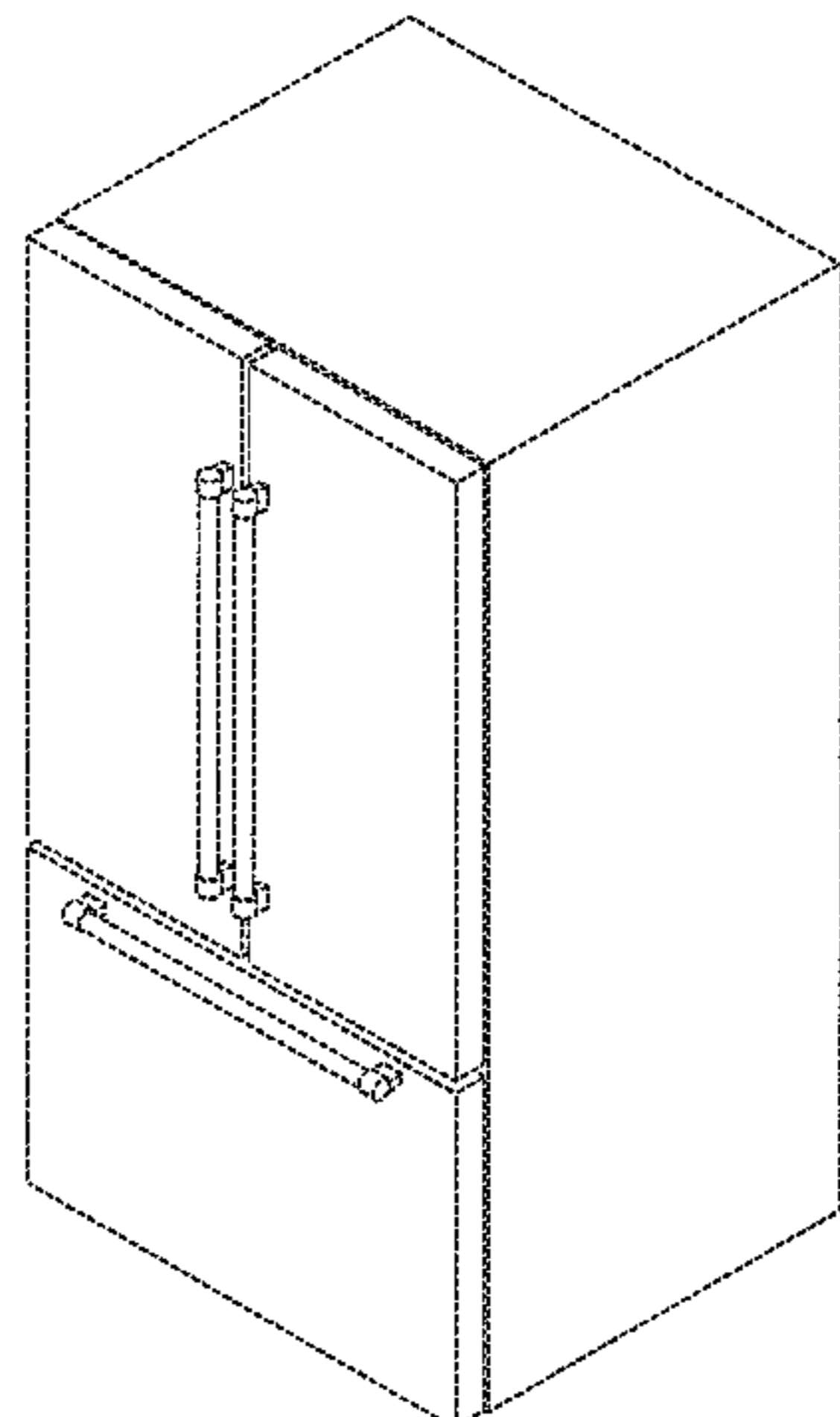


FIG. 14 is a front perspective view with the cabinet doors and freezer drawer open of the present invention;
 FIG. 15 is a perspective view of the interior of the freezer of the present invention;
 FIG. 16 is a perspective view of the outside of a refrigerator of an alternative embodiment of the present invention;
 FIG. 17 is a front plan view of the outside of a refrigerator of an alternative embodiment of the present invention;
 FIG. 18 is a right side plan view of the outside of a refrigerator of an alternative embodiment of the present invention;
 FIG. 19 is a top plan view of the outside of a refrigerator of an alternative embodiment of the present invention;
 FIG. 20 is a bottom plan view of the outside of a refrigerator of an alternative embodiment of the present invention;
 FIG. 21 is a front perspective view with the cabinet doors open of an alternative embodiment of the present invention;
 FIG. 22 is a front plan view of the cabinet interior of an alternative embodiment of the present invention;
 FIG. 23 is a perspective view of the right side of the cabinet interior of an alternative embodiment of the present invention;
 FIG. 24 is a perspective view of the left side of the cabinet interior of an alternative embodiment of the present invention;
 FIG. 25 is a perspective view of the right door of an alternative embodiment of the present invention;
 FIG. 26 is a plan view of the right door of an alternative embodiment of the present invention;
 FIG. 27 is a perspective view of the left door of an alternative embodiment of the present invention;
 FIG. 28 is a plan view of the left door of an alternative embodiment of the present invention;

FIG. 29 is a front perspective view with the cabinet doors and freezer drawer open of an alternative embodiment of the present invention; and,

FIG. 30 is a perspective view of the interior of the freezer of an alternative embodiment of the present invention.

The broken lines in the figures are to show an environment and form no part of the claimed design.

The shaded portions within the dot-dash-dot-dash lines on the right door liner of the appliance represent the color silver, where the color silver has the following color characteristics according to the CIELAB System:

25 degree angle	L 75.18	a +.21	b +2.70
45 degree angle	L 59.40	a -1.59	b -2.33
75 degree angle	L 49.36	a -2.96	b -5.82

The shaded portions of the trim of the door bin of the appliance represent an aluminum color, where the aluminum color has the following color characteristics according to the CIELAB System:

Illuminant A/10			
25 degrees	L .55	a .06	b .07
45 degrees	L .25	a .04	b .05
75 degrees	L .15	a .03	b .05

1 Claim, 28 Drawing Sheets

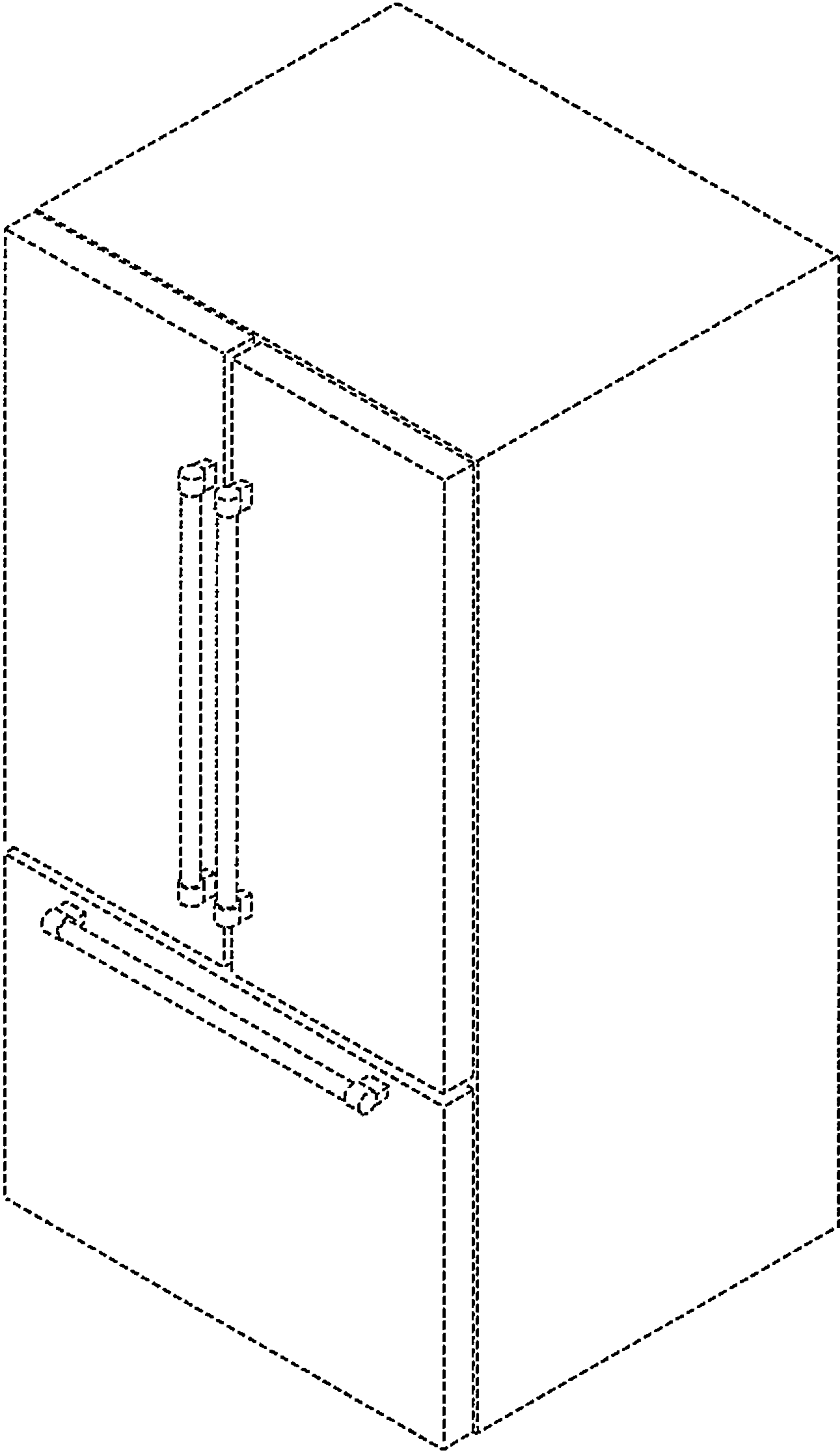


FIG. 1

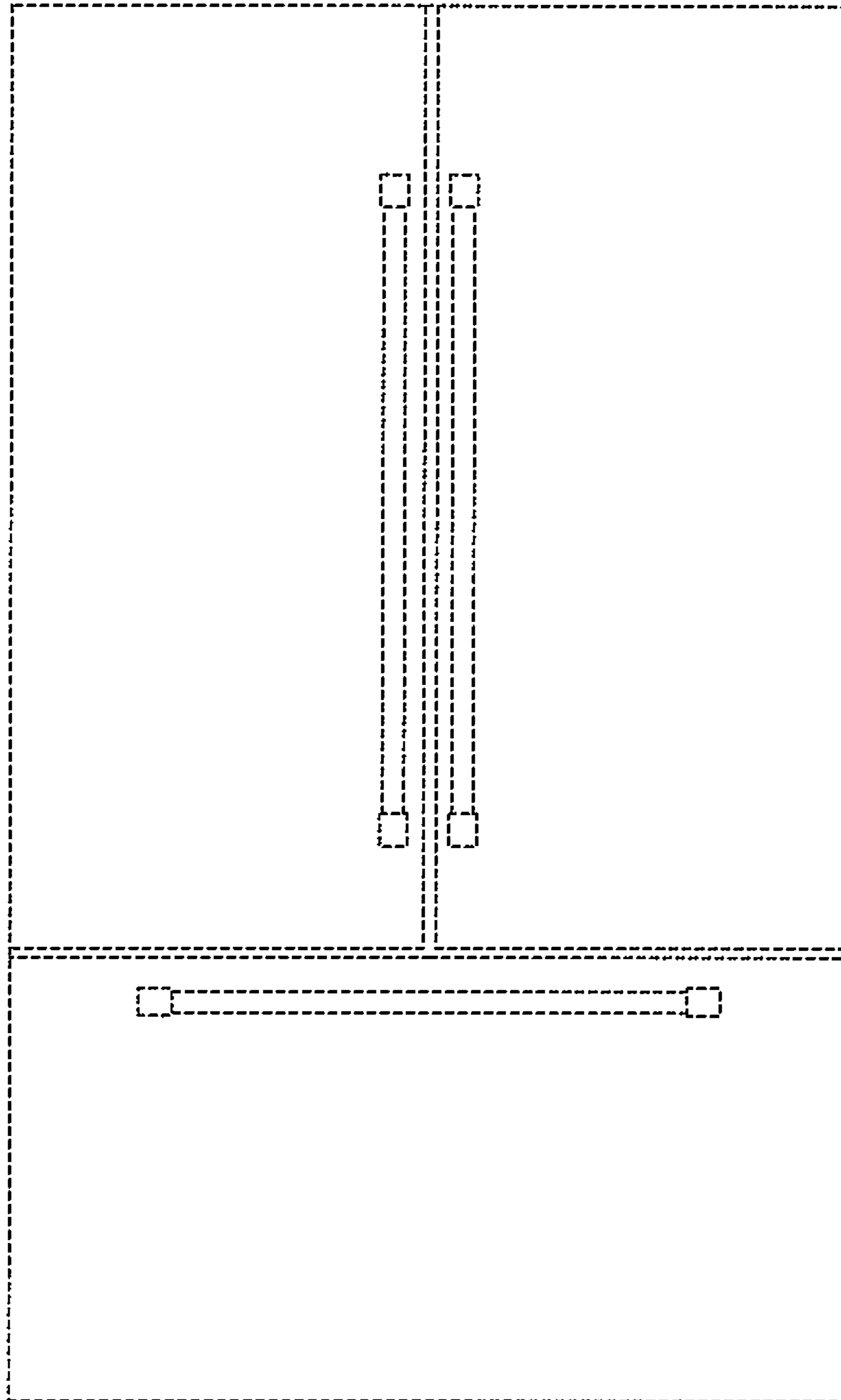


FIG. 2

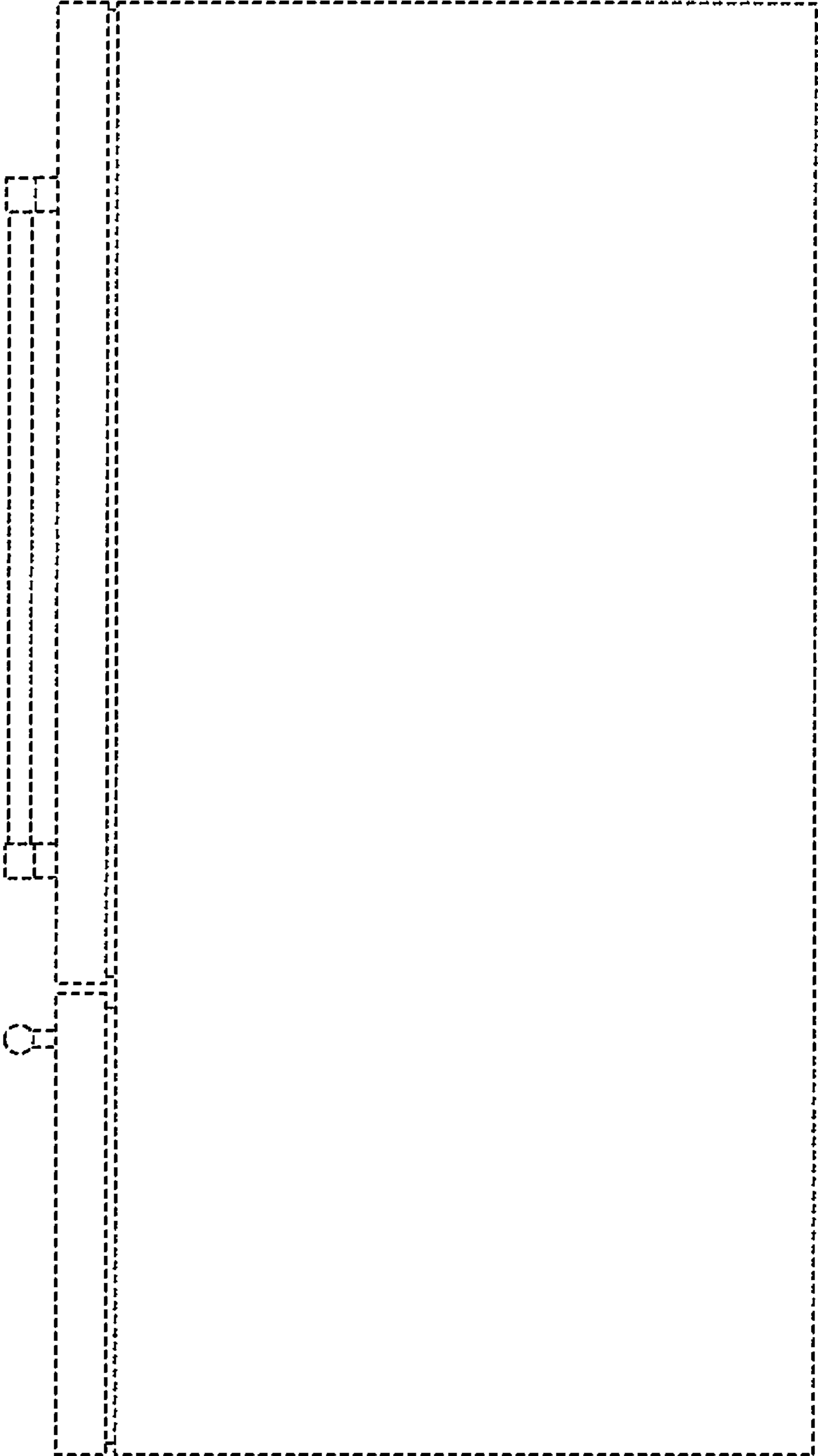


FIG. 3

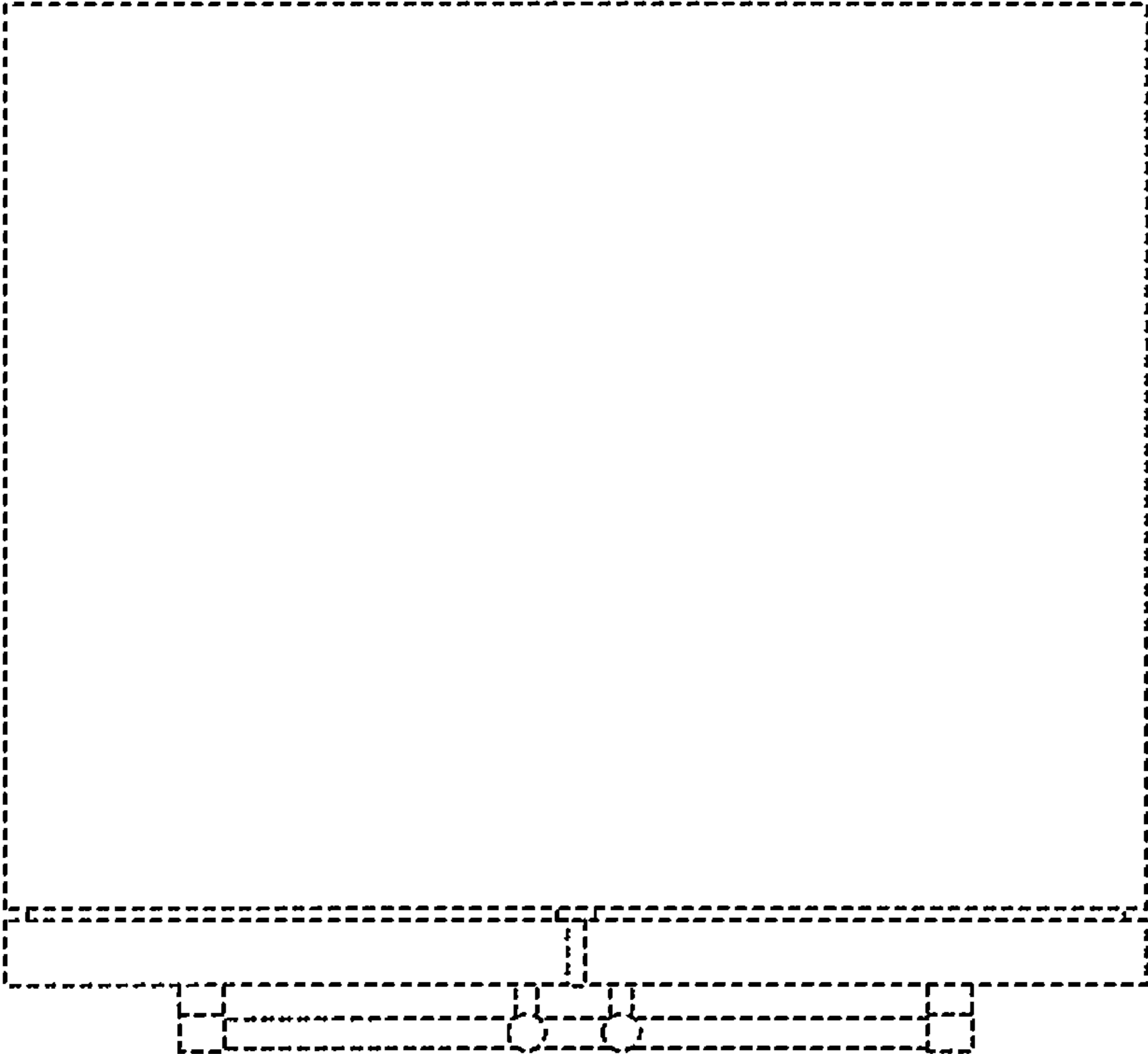


FIG. 4

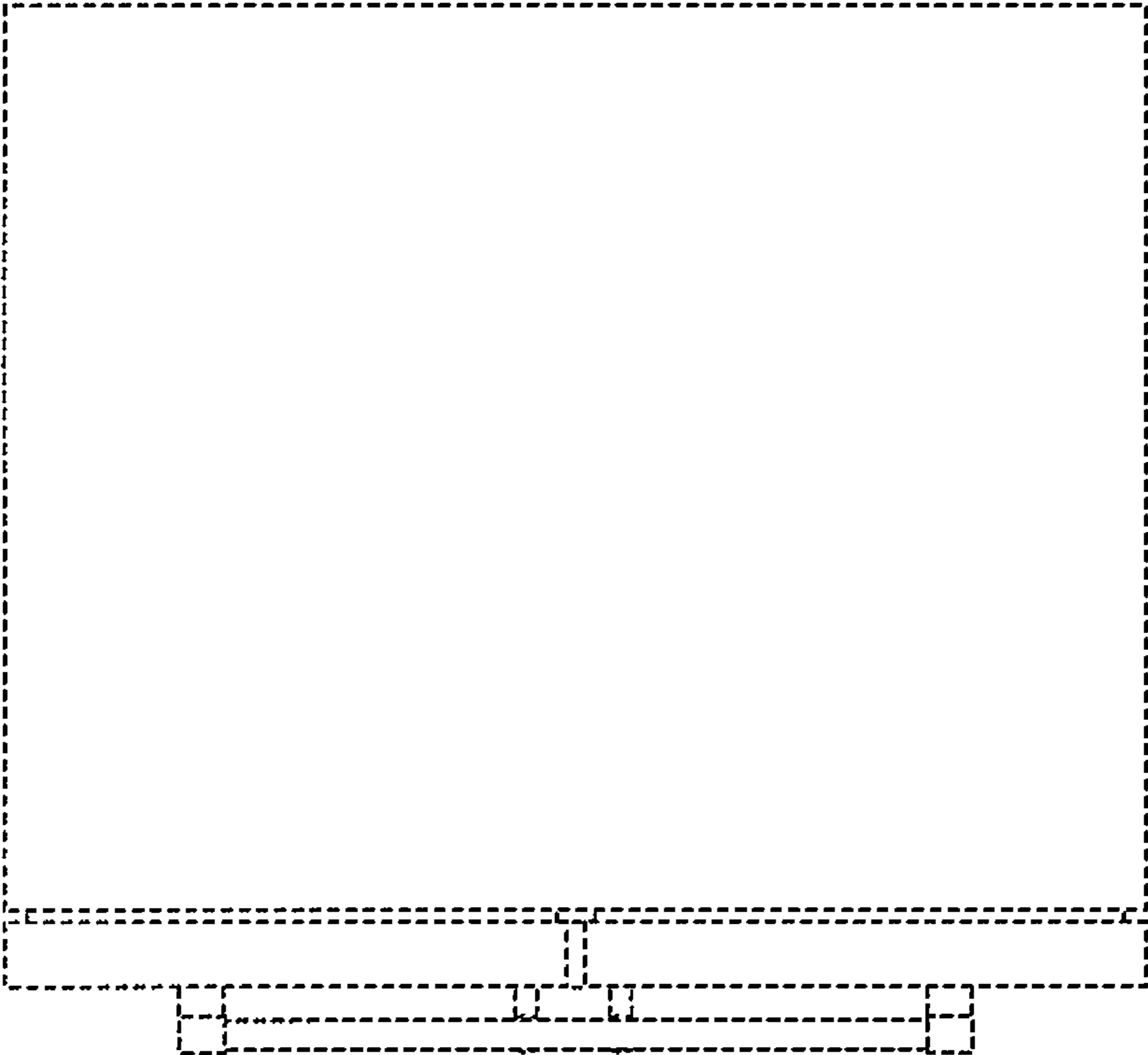


FIG. 5

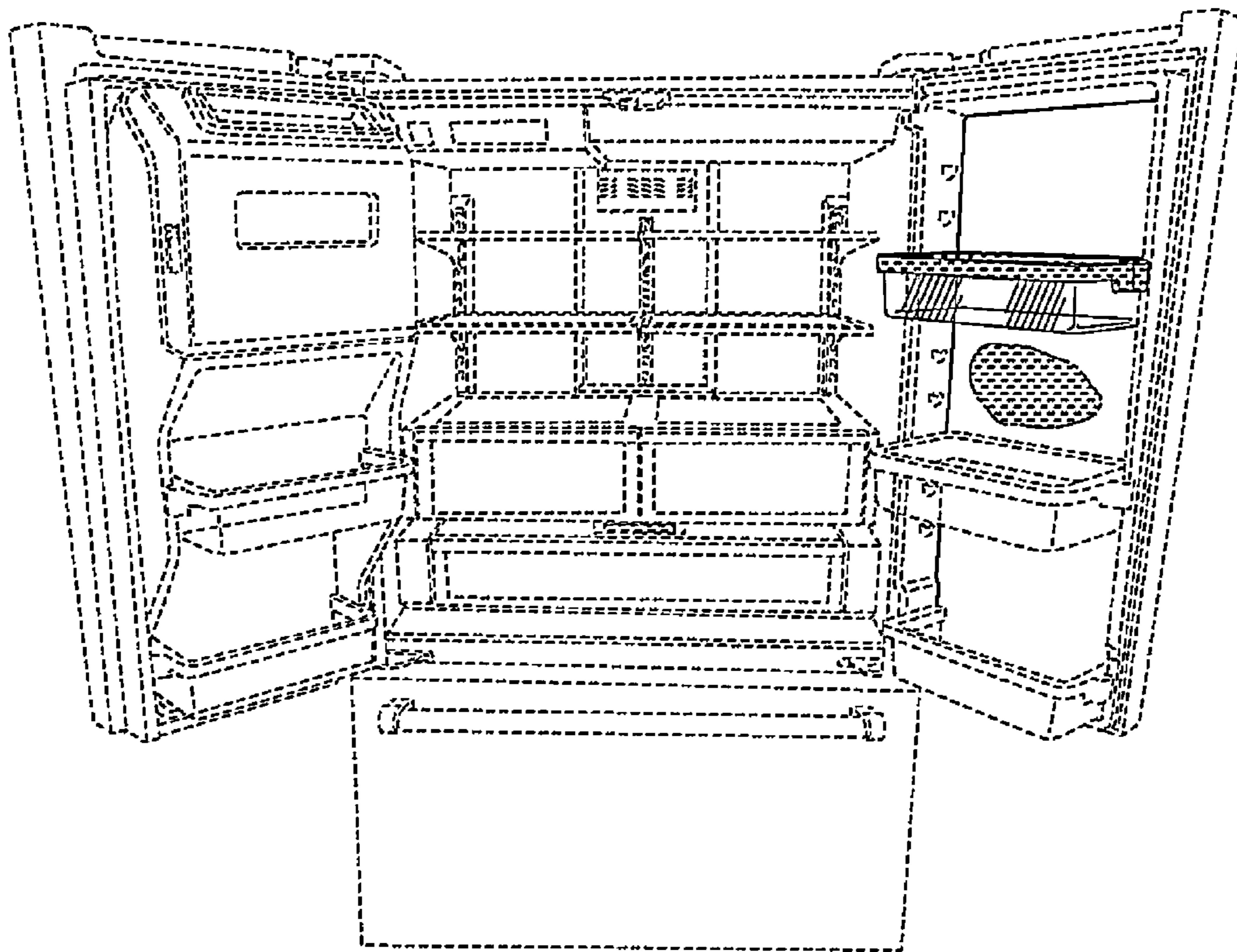


FIG. 6

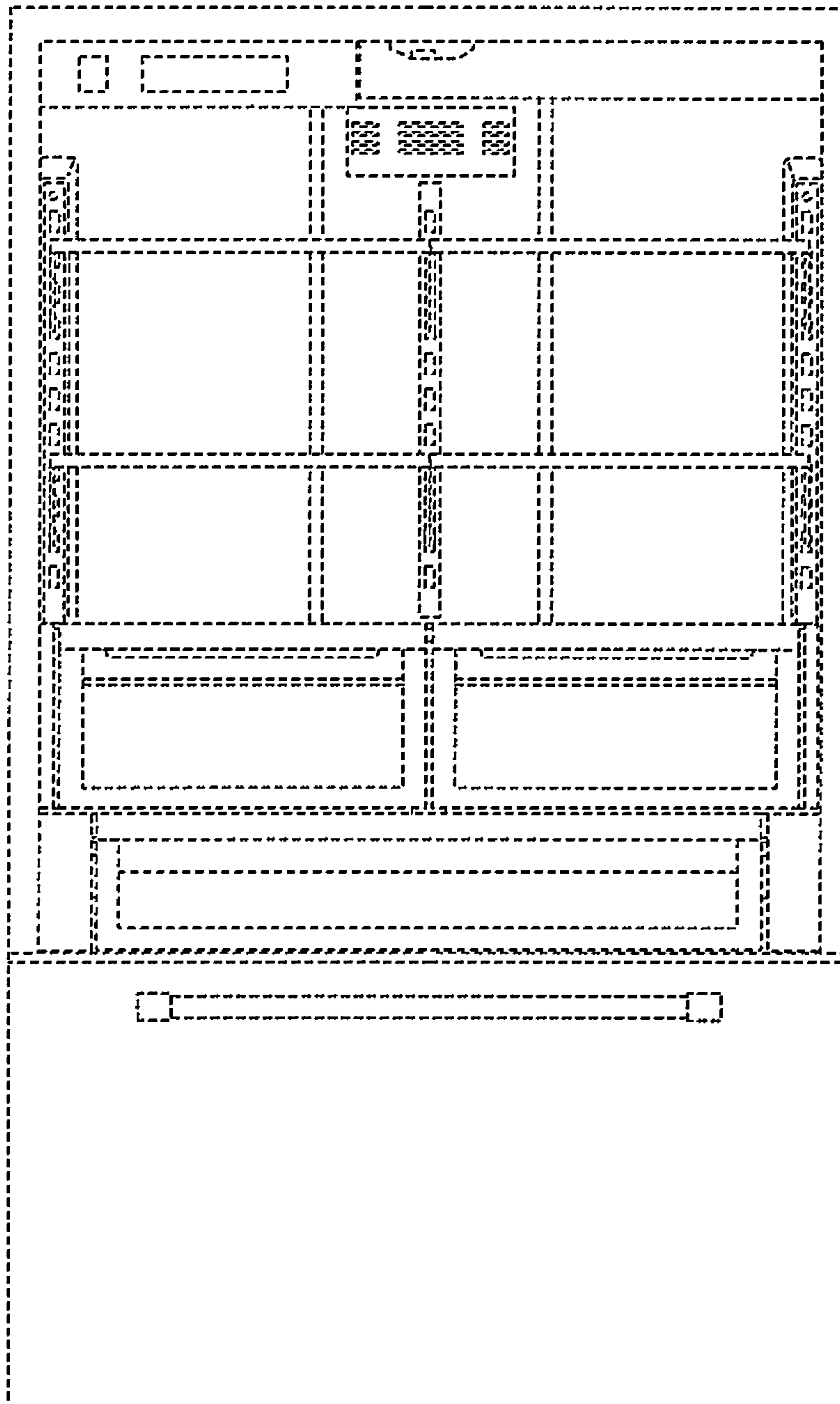


FIG. 7

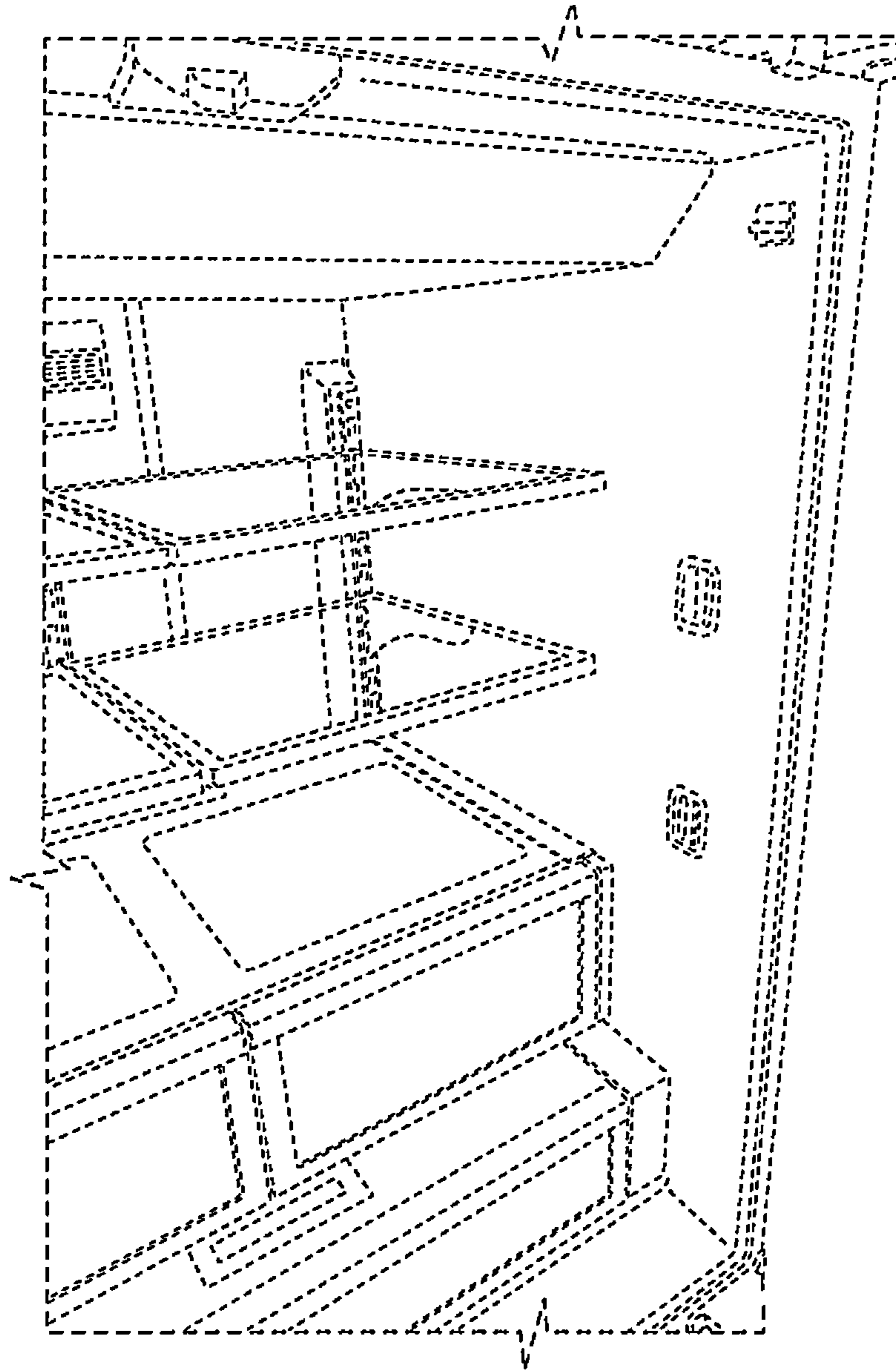


FIG. 8

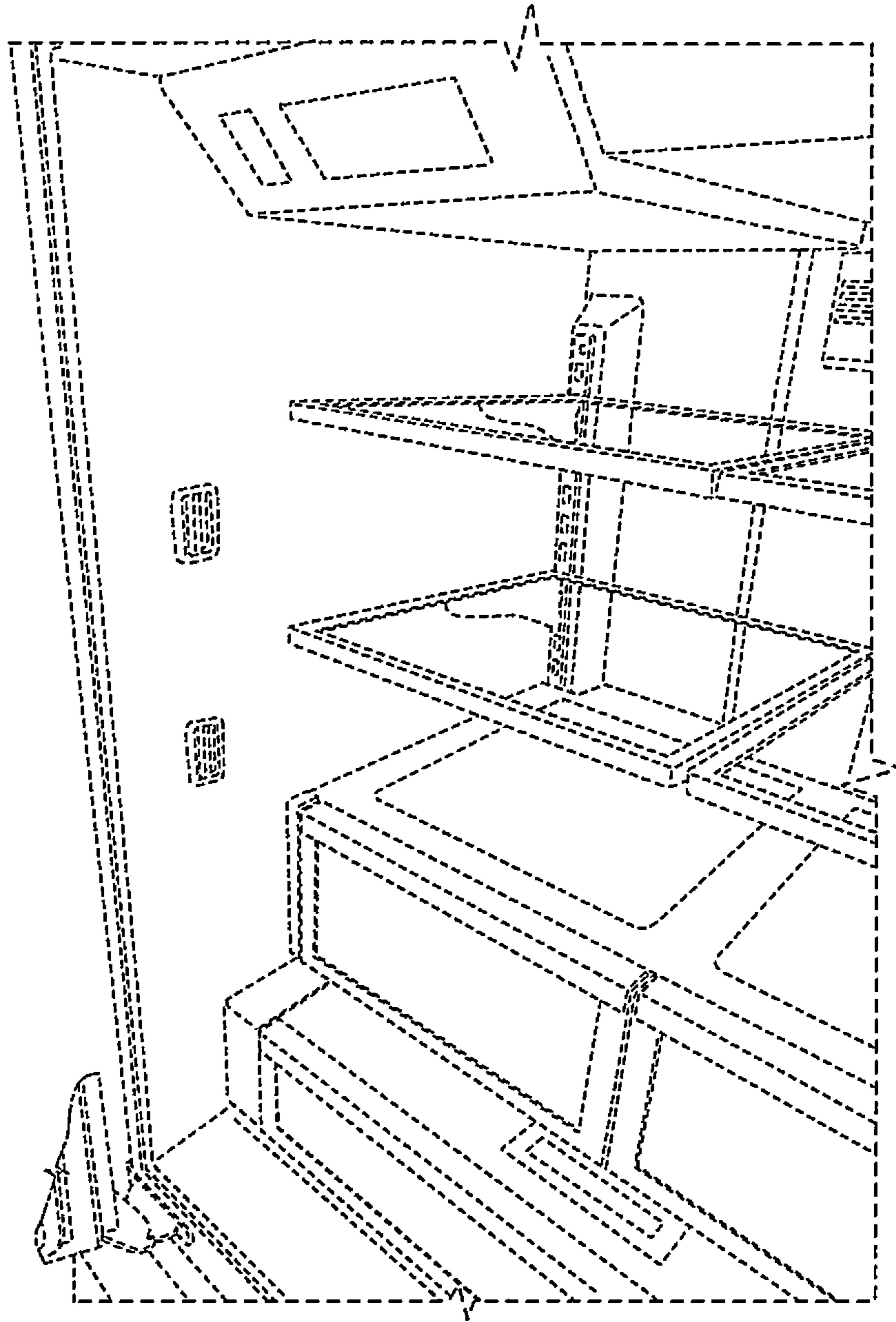


FIG. 9

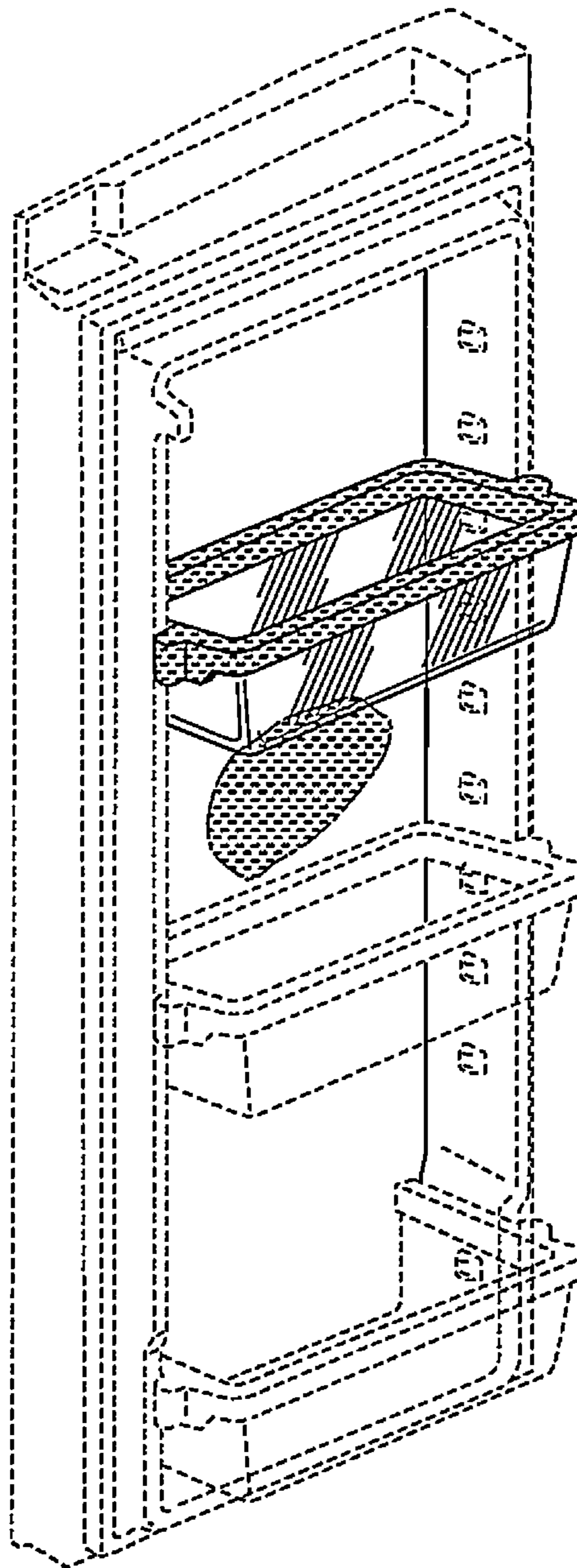


FIG. 10

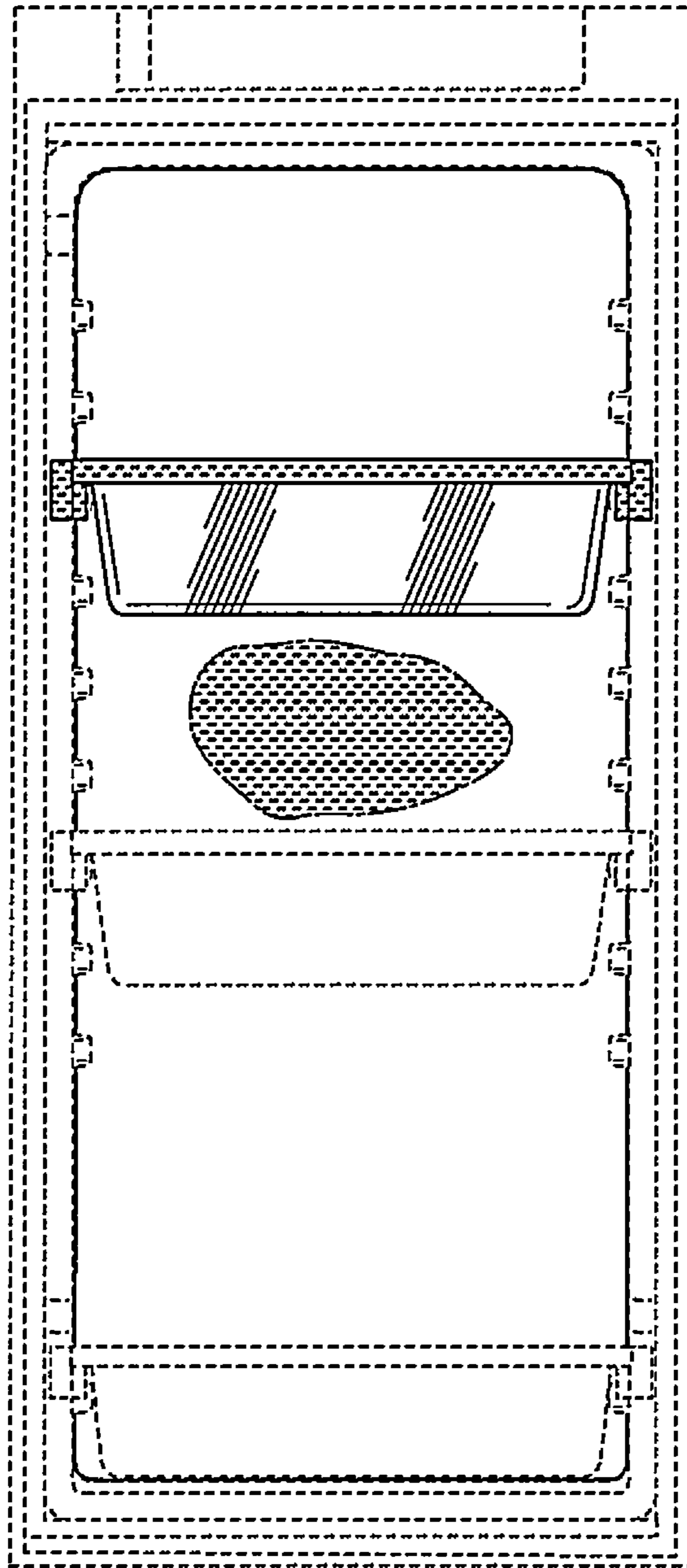


FIG. 11

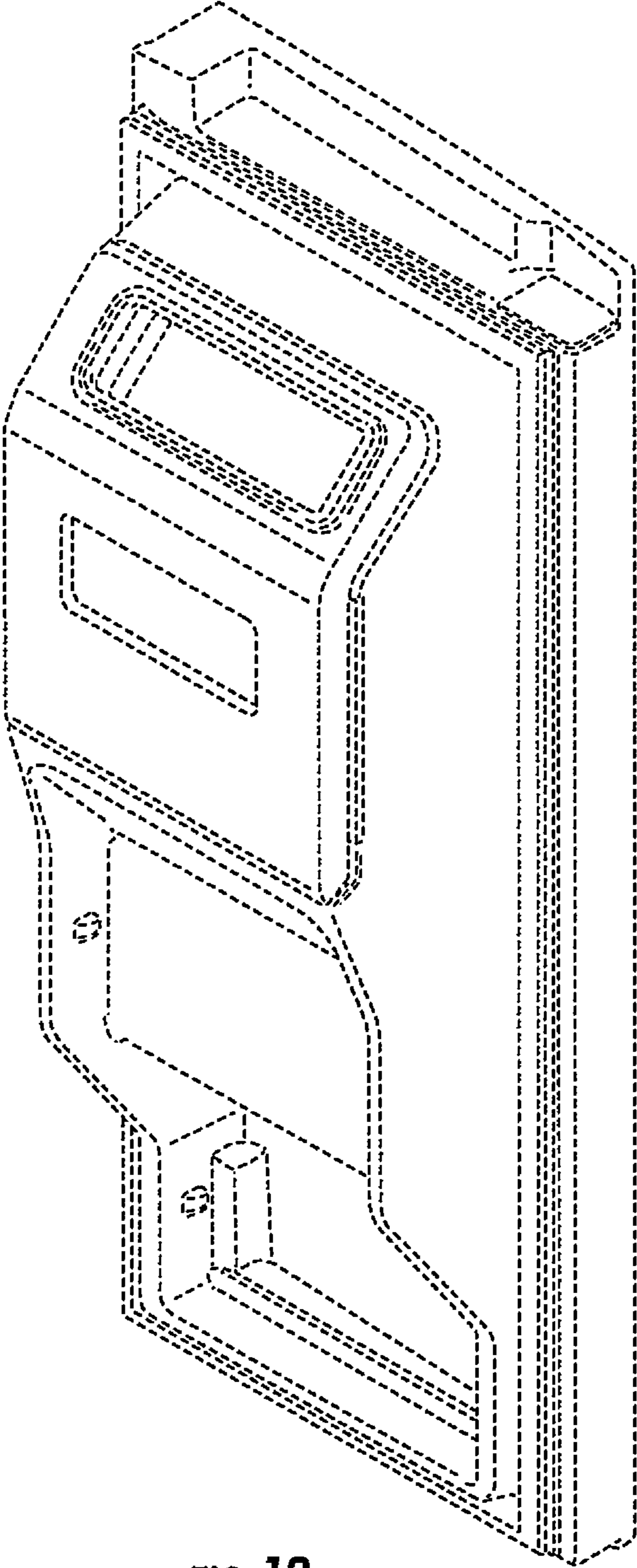


FIG. 12

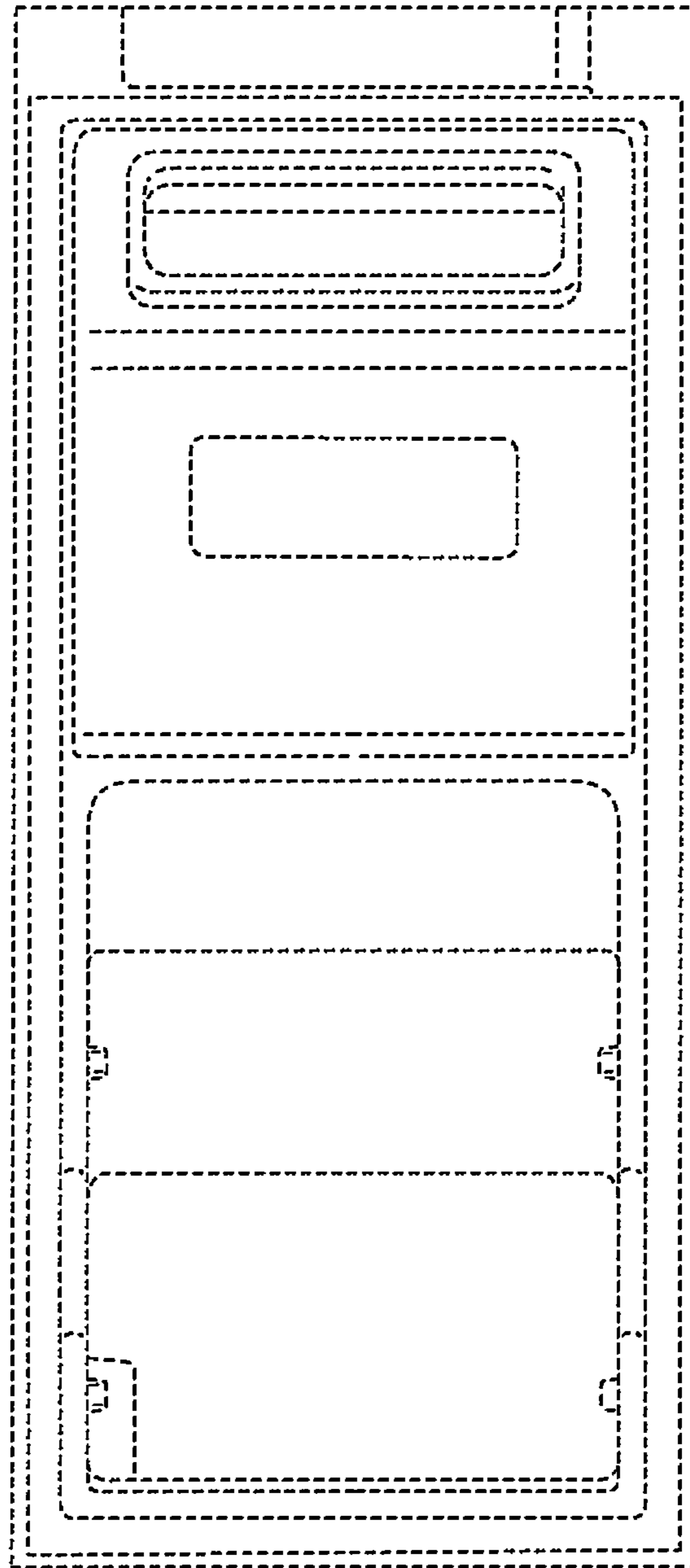


FIG. 13

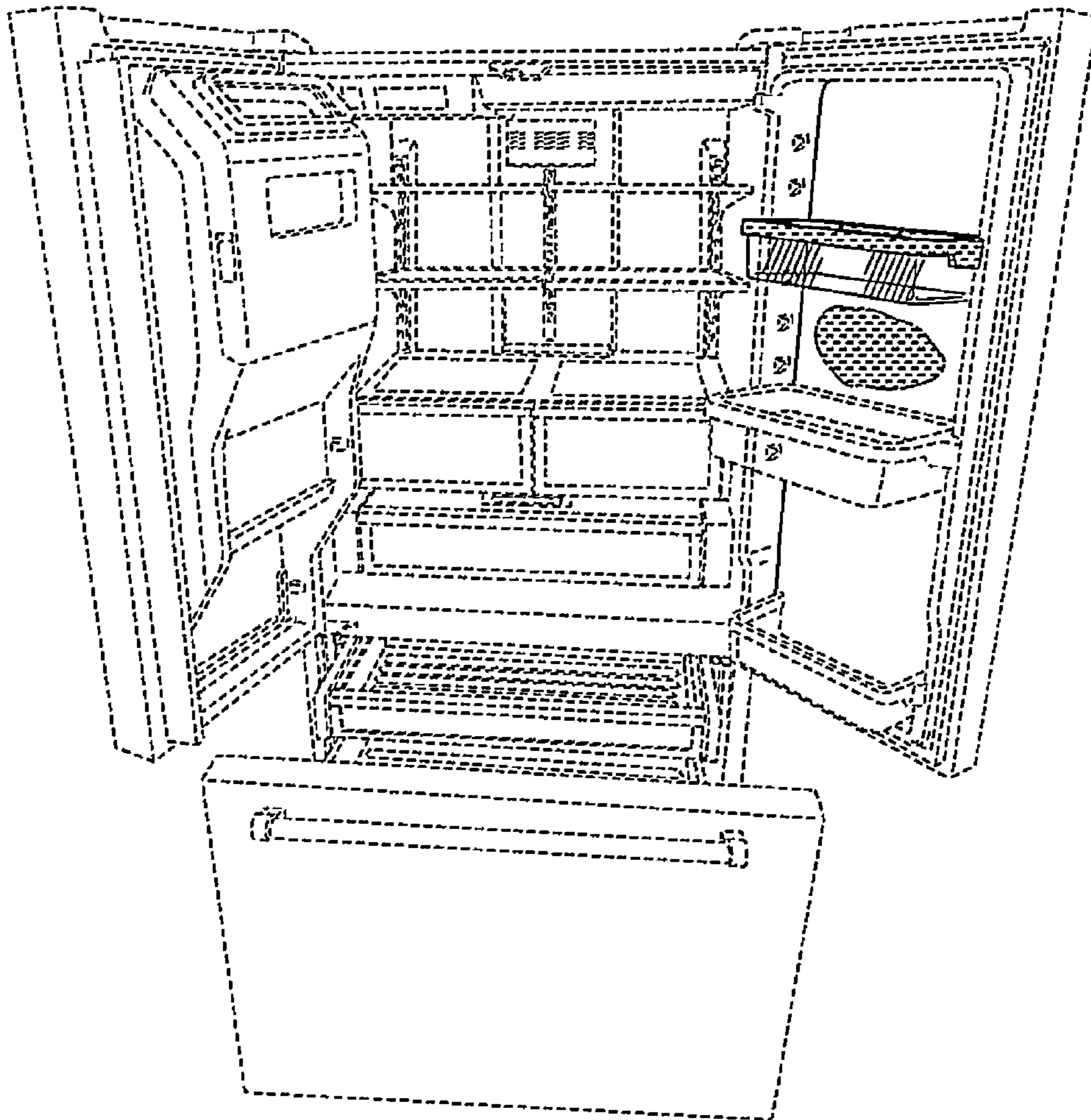


FIG. 14

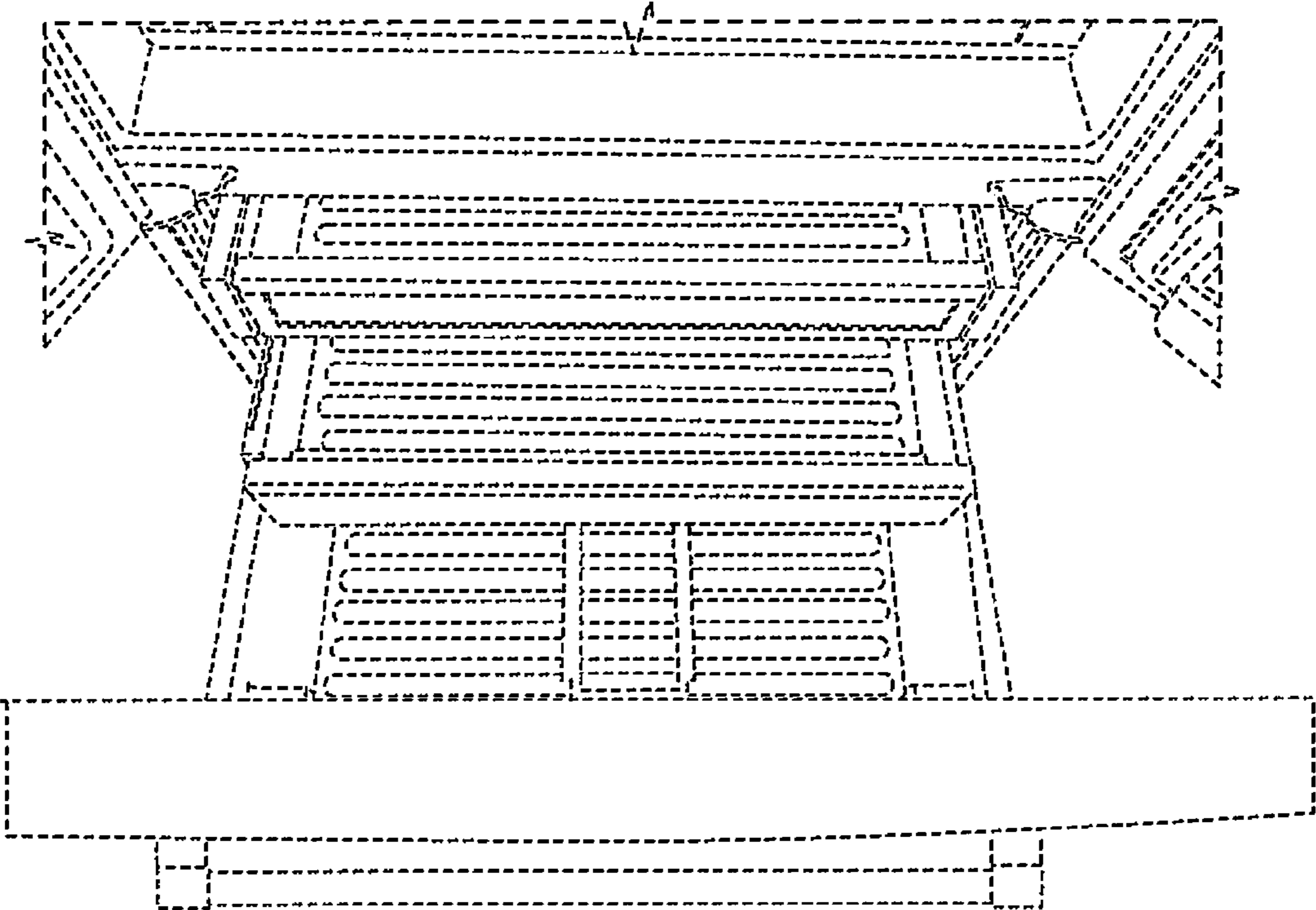


FIG. 15

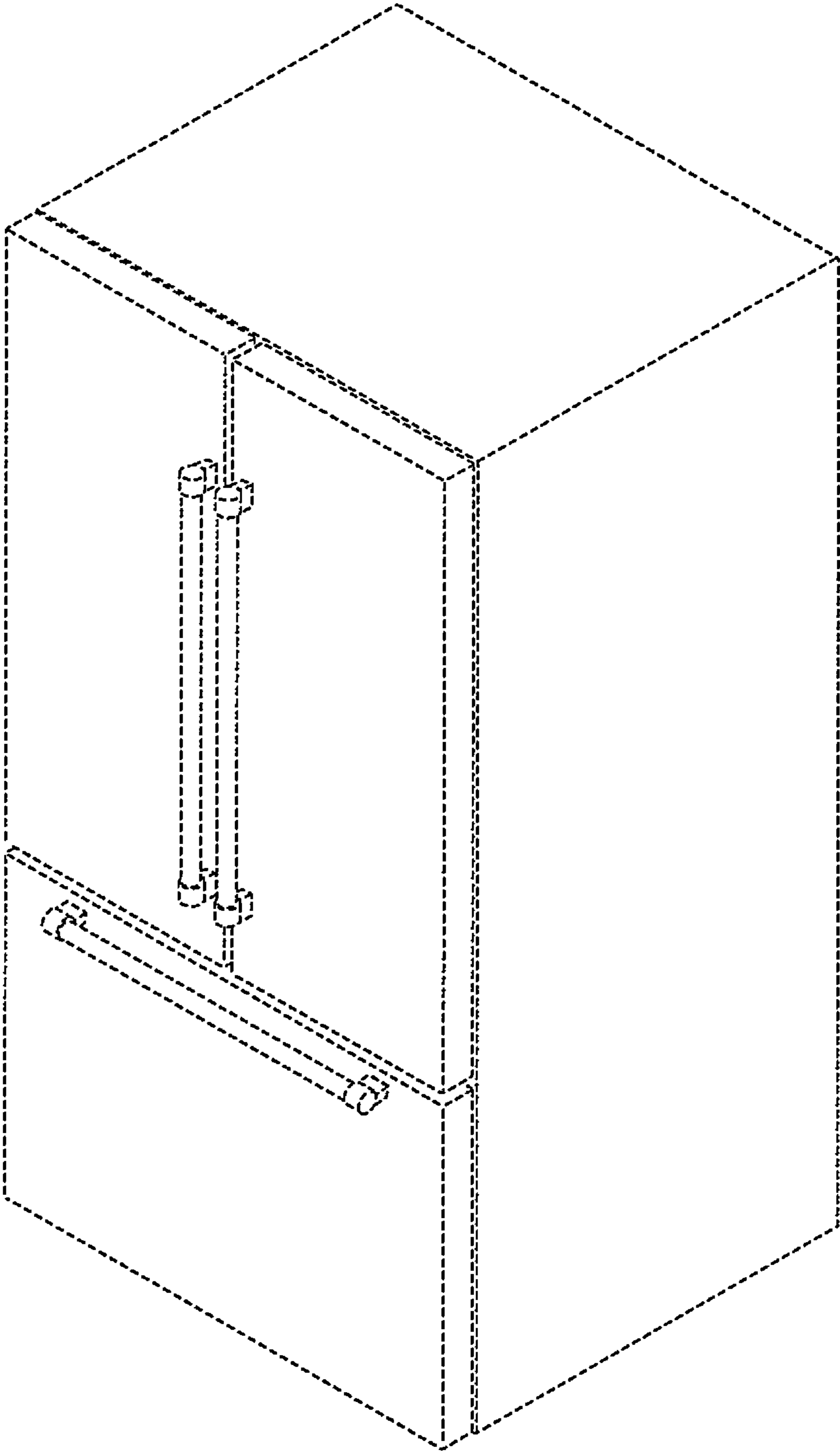


FIG. 16

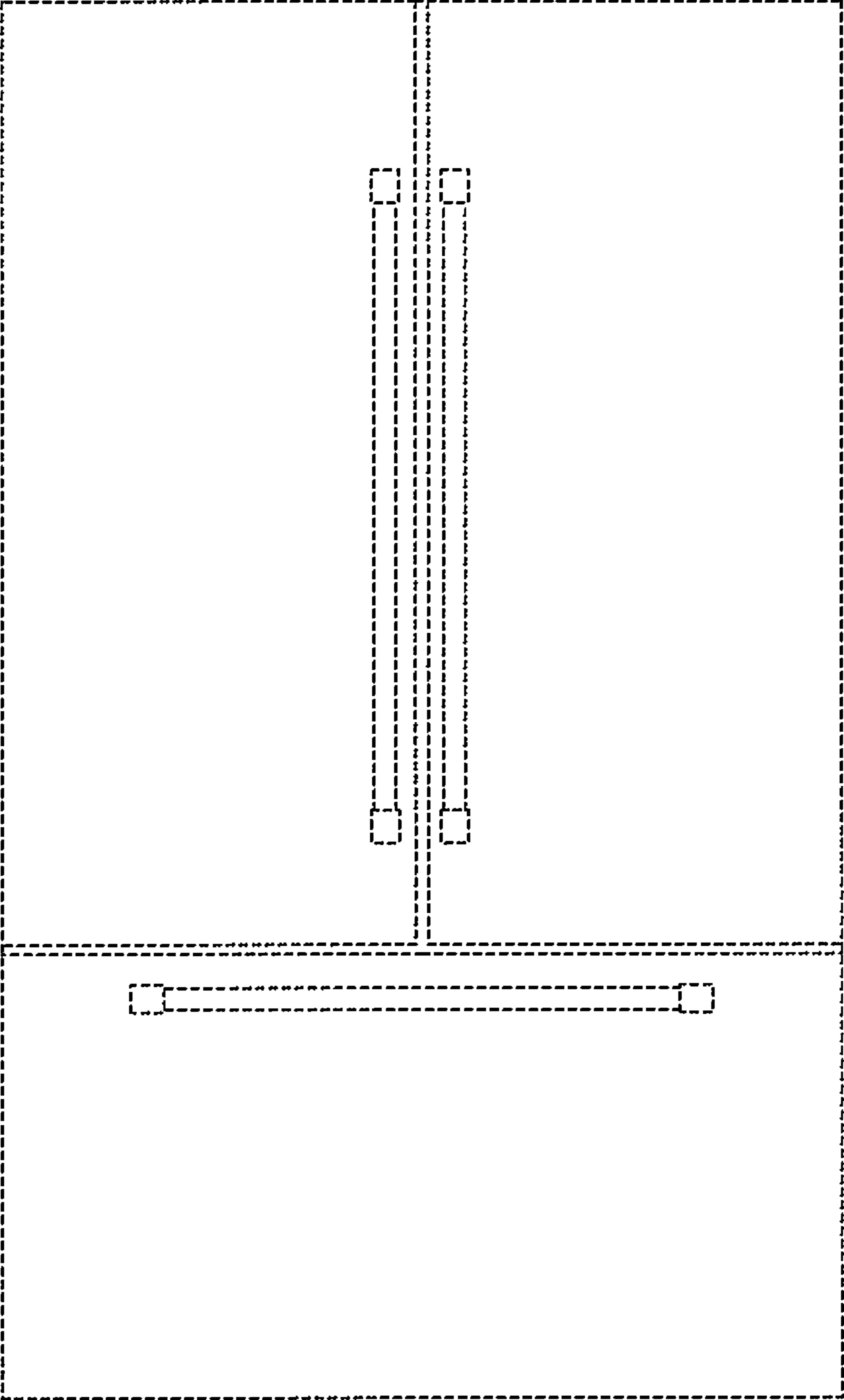


FIG. 17

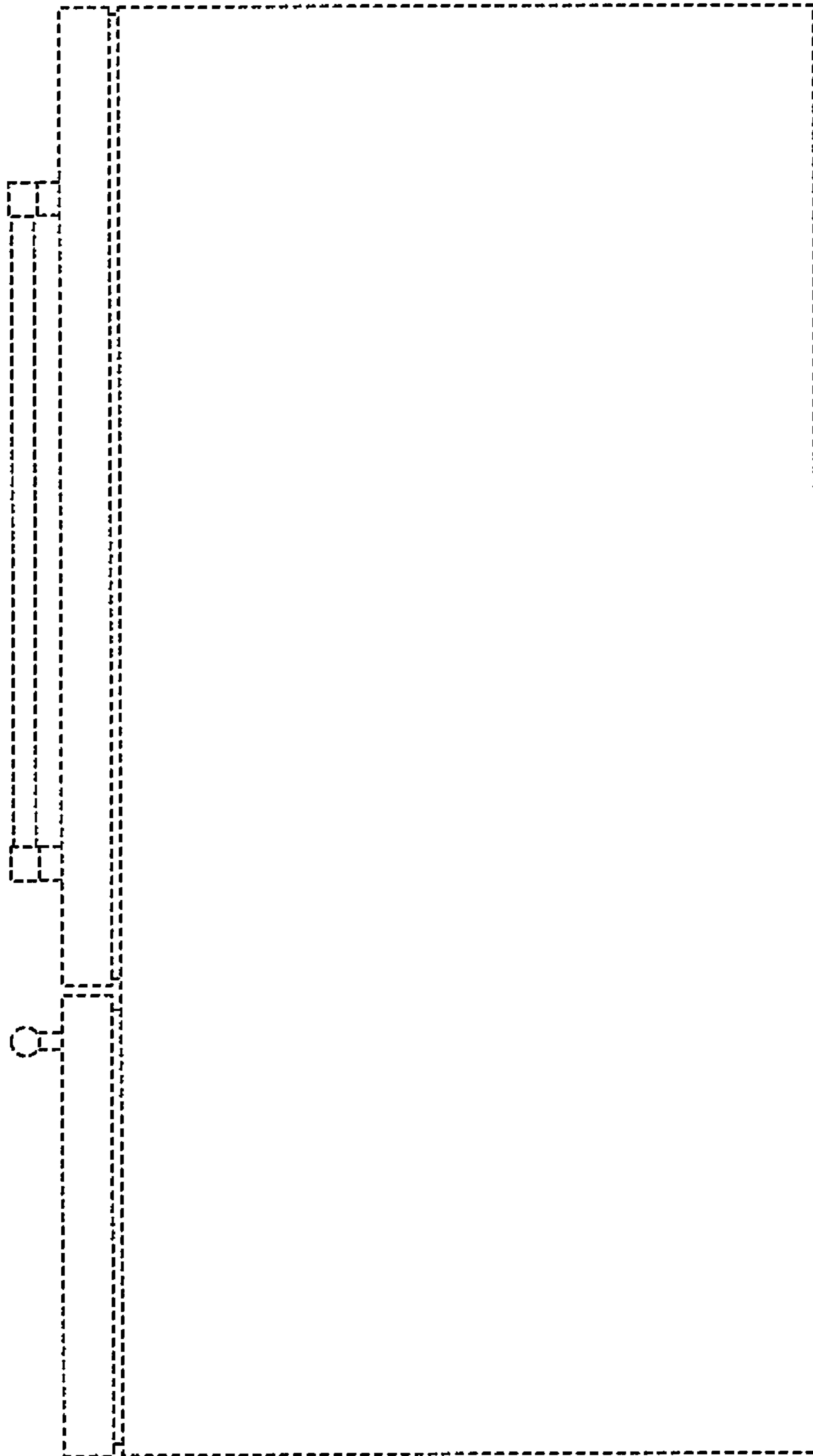


FIG. 18

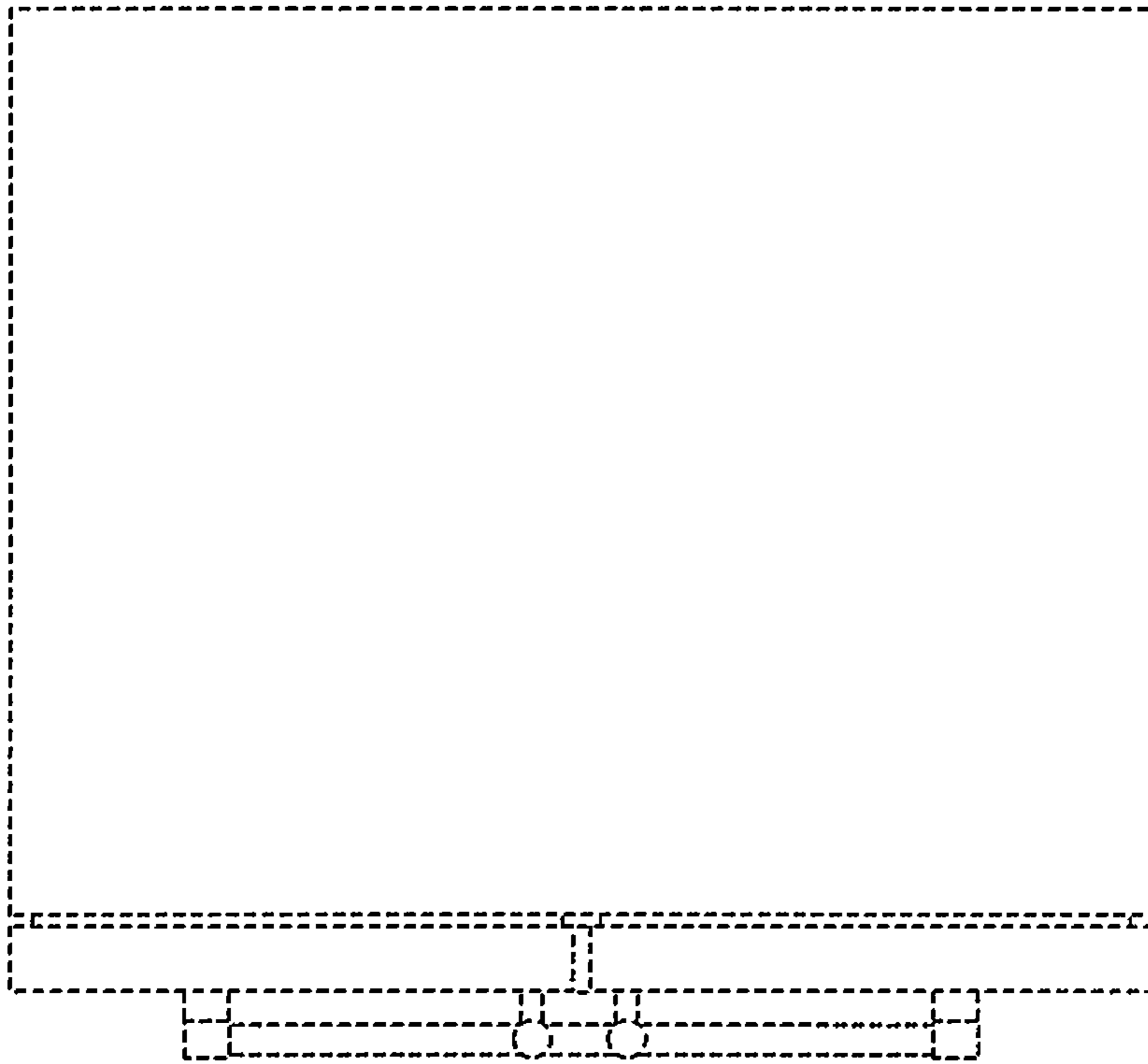


FIG. 19

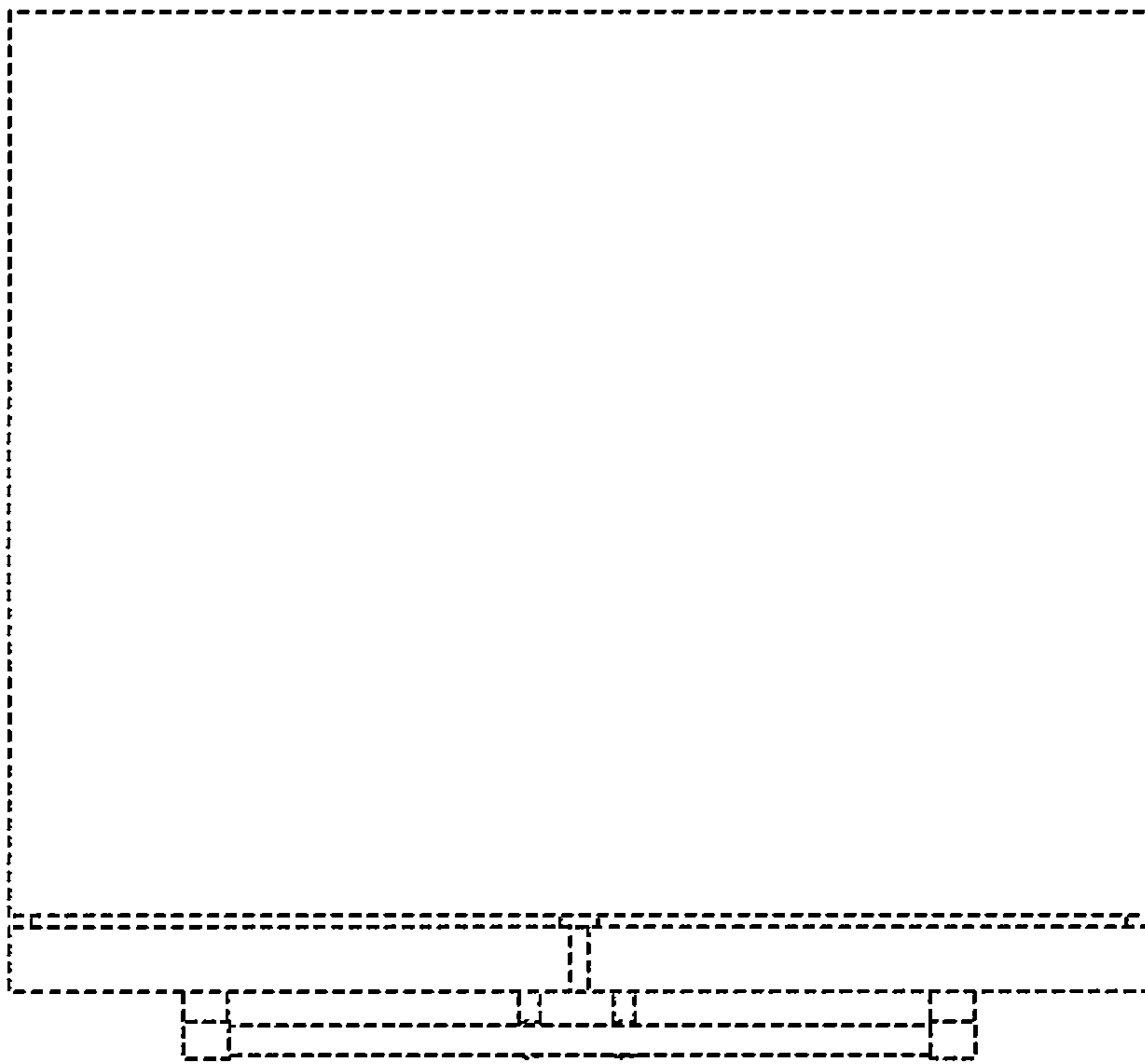


FIG. 20

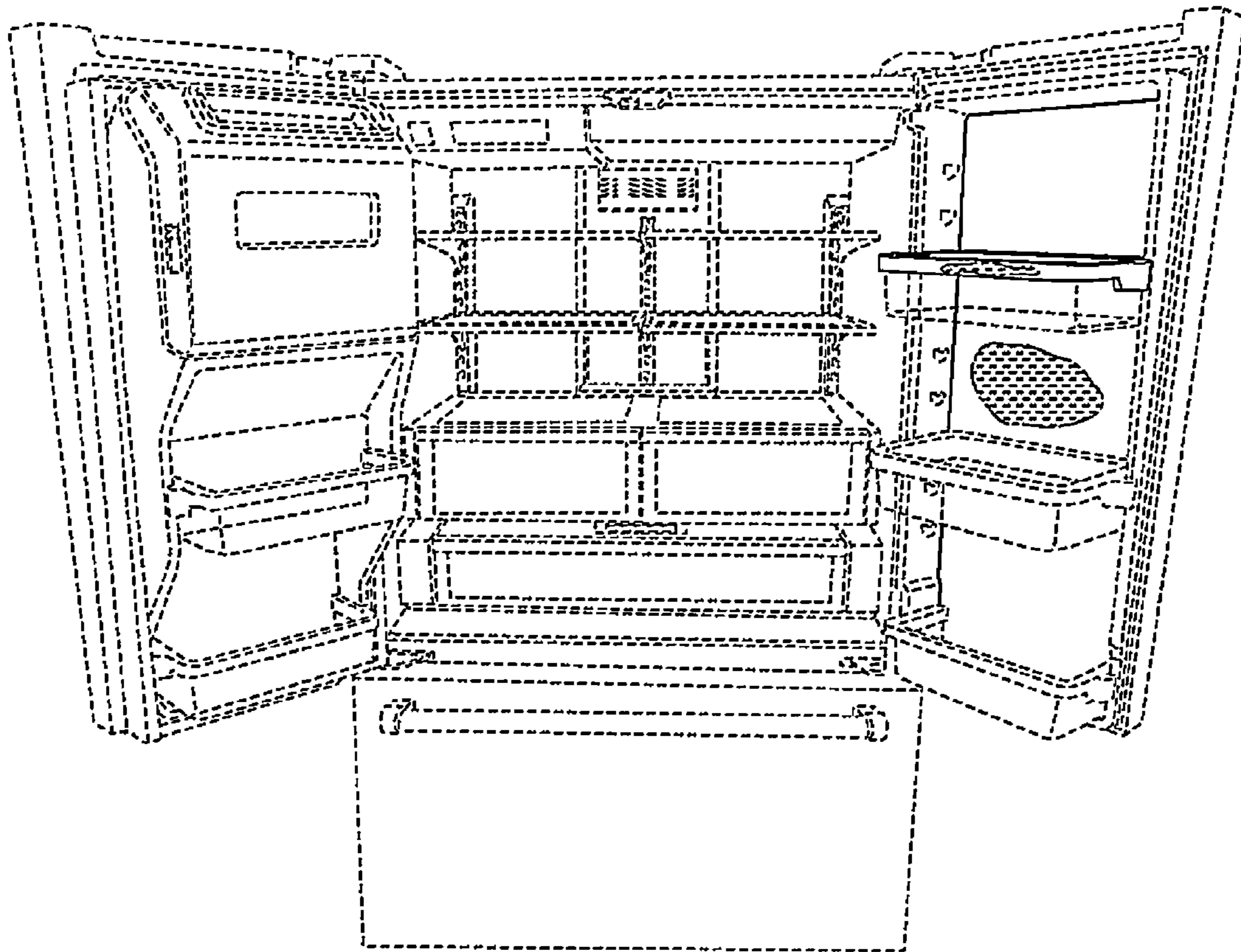


FIG. 21

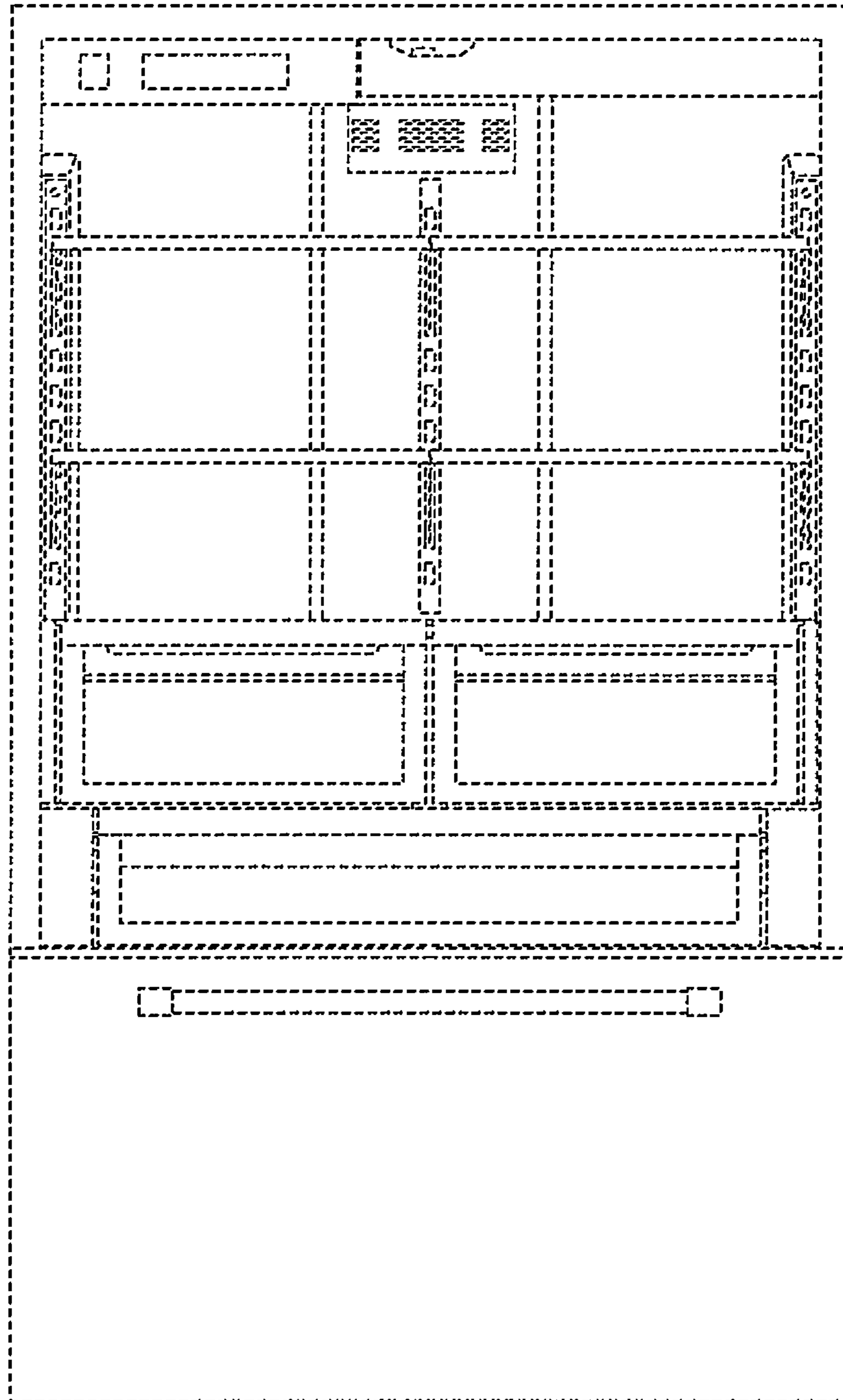


FIG. 22

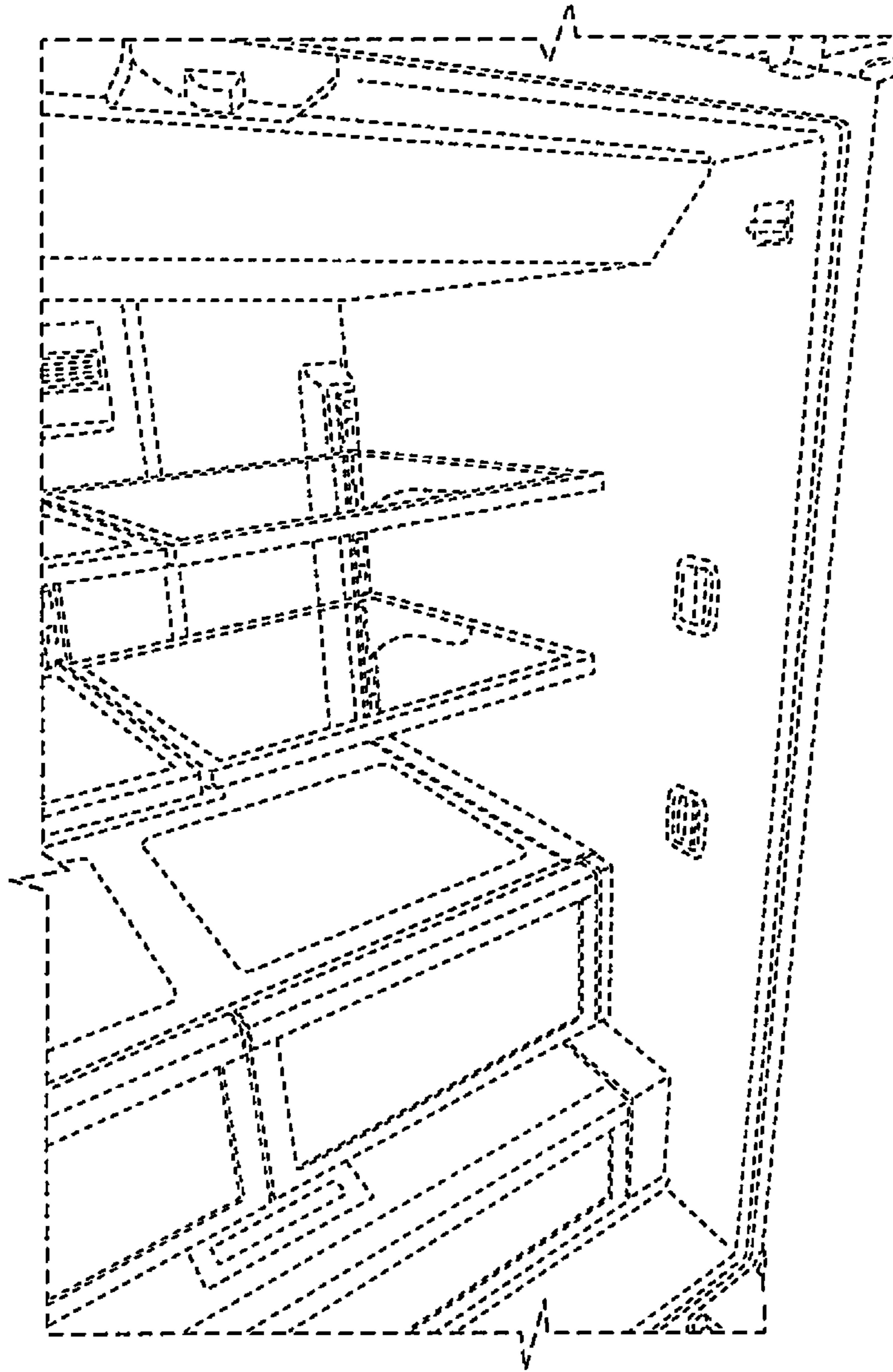


FIG. 23

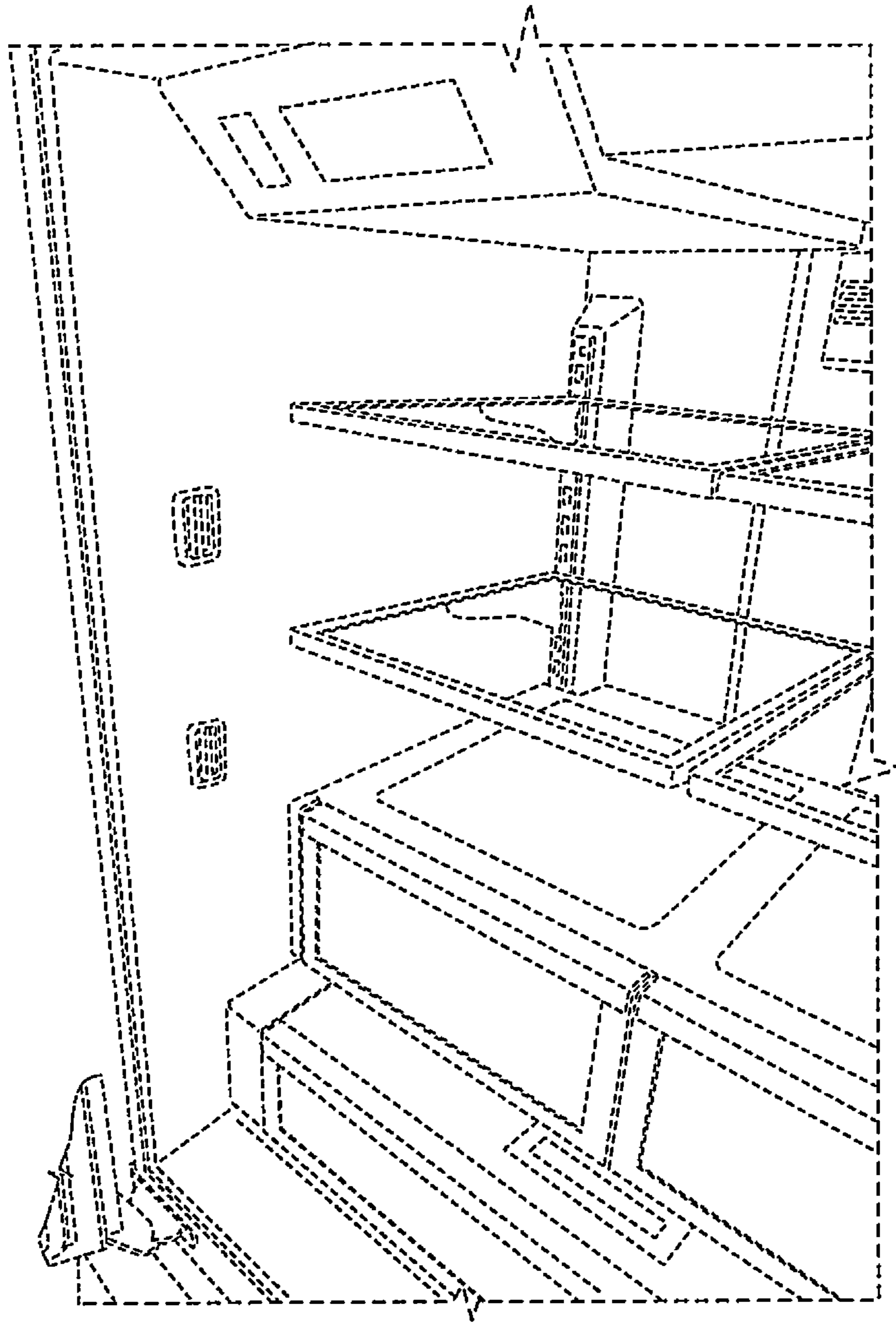


FIG. 24

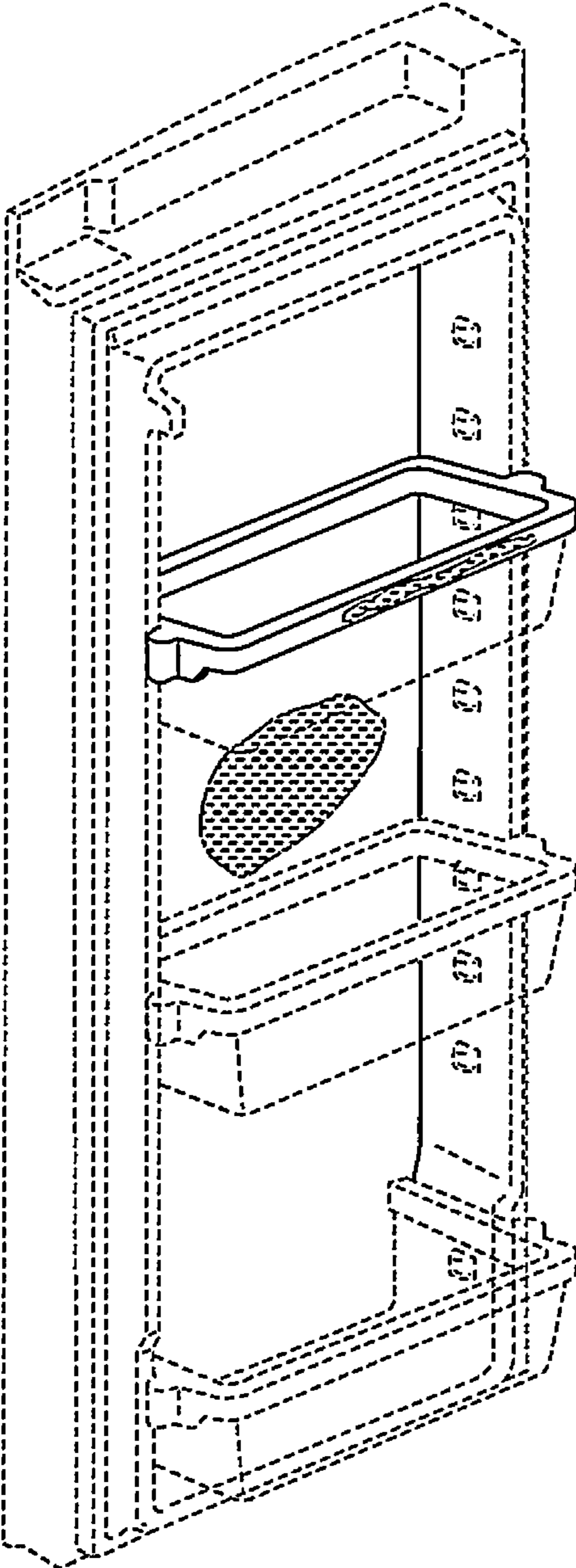


FIG. 25

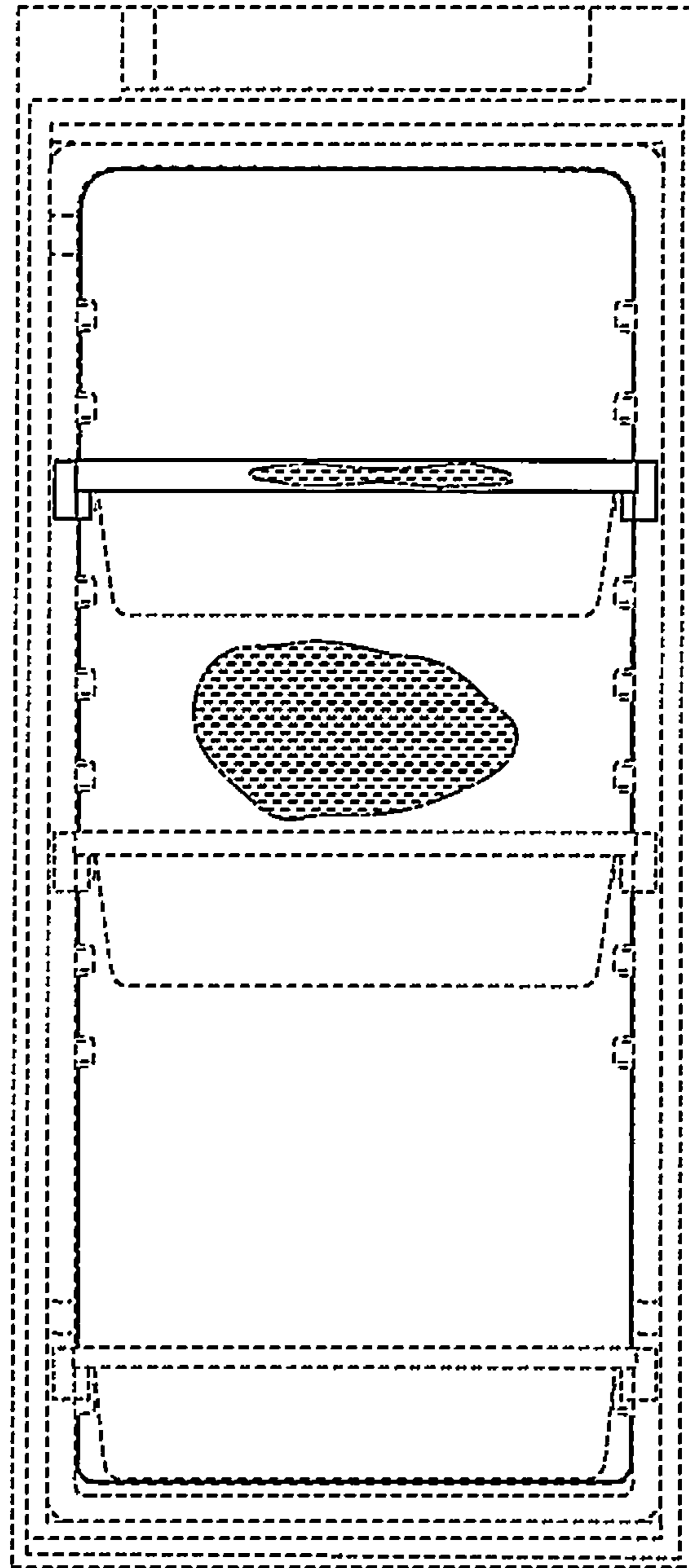


FIG. 26

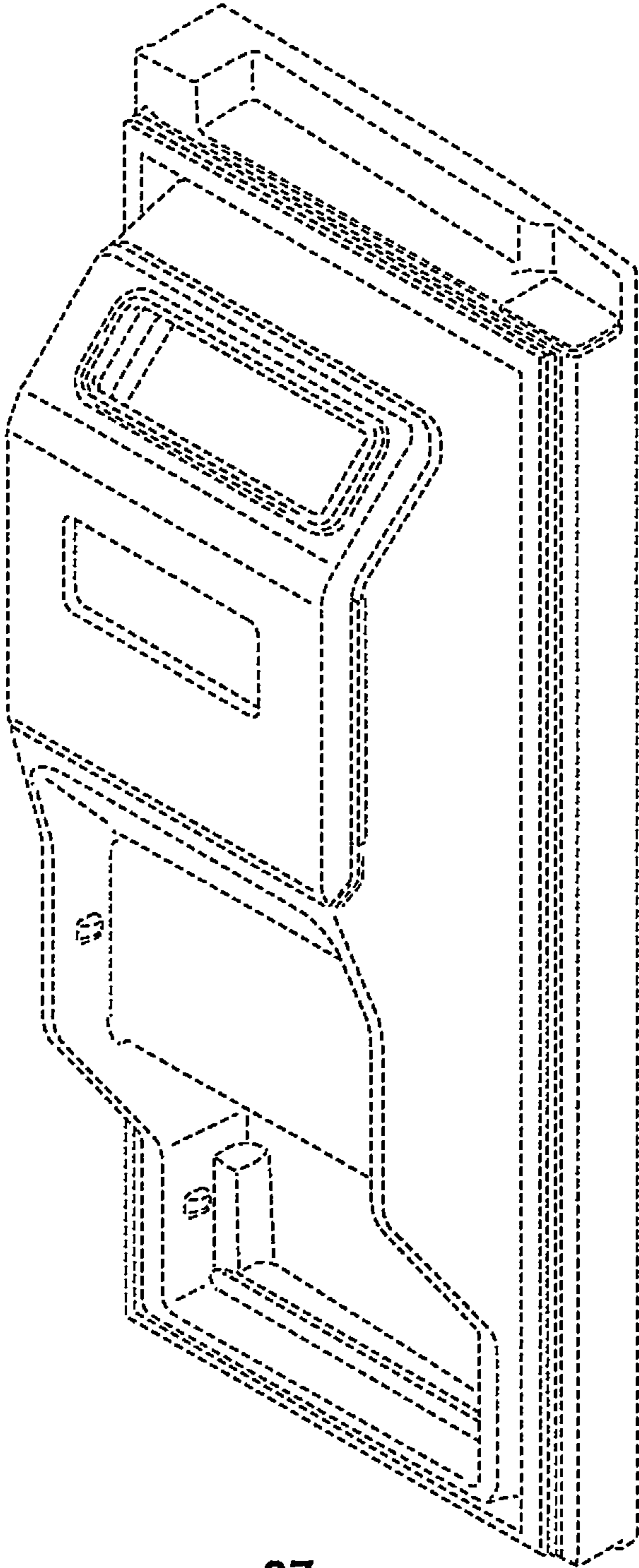


FIG. 27

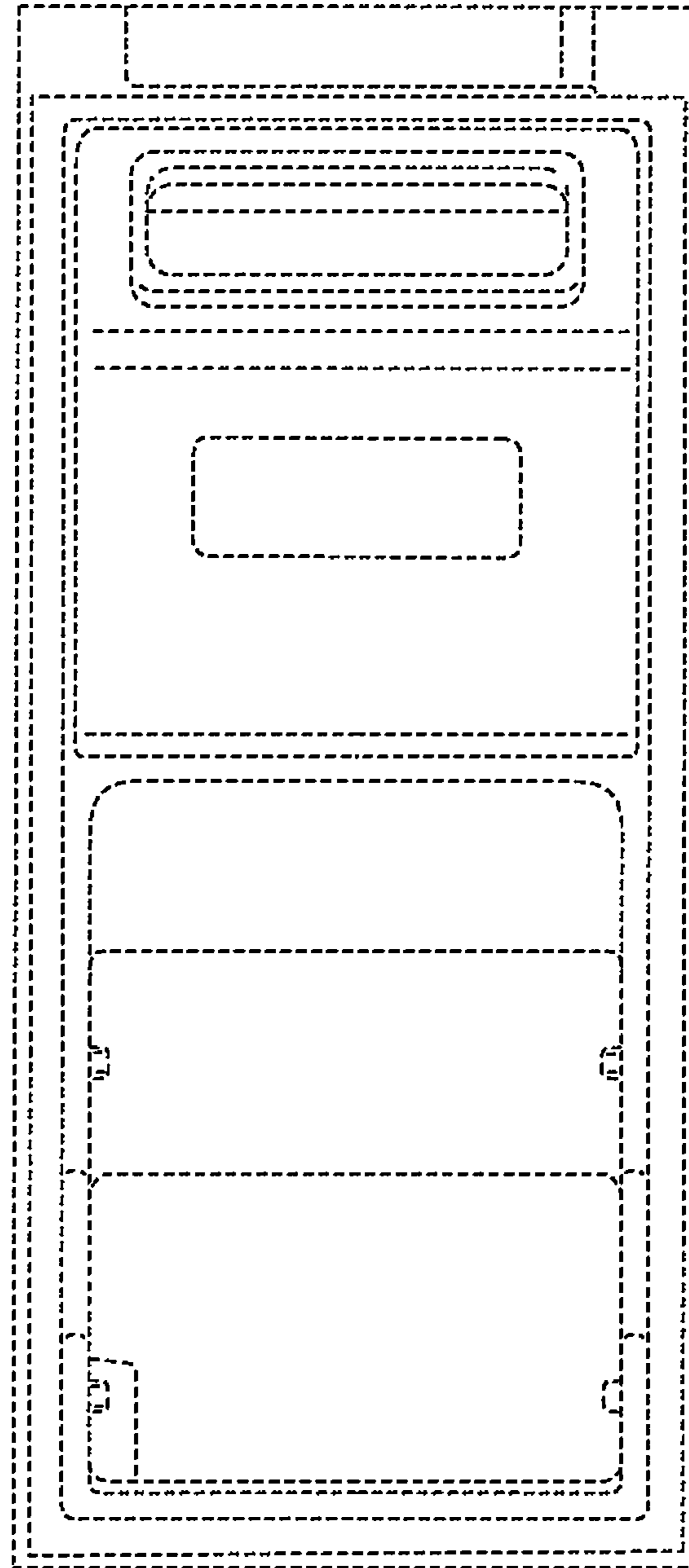


FIG. 28

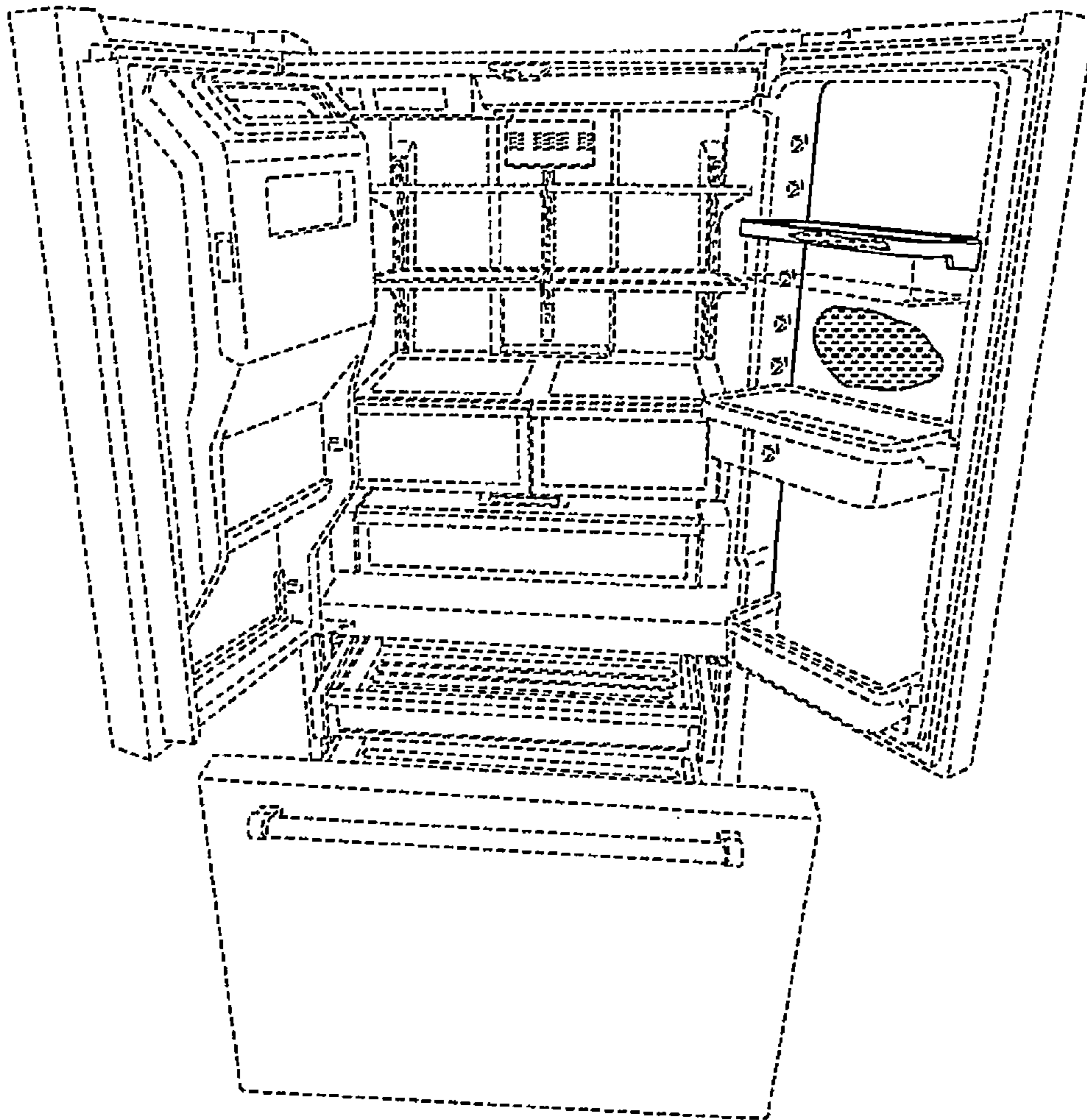


FIG. 29

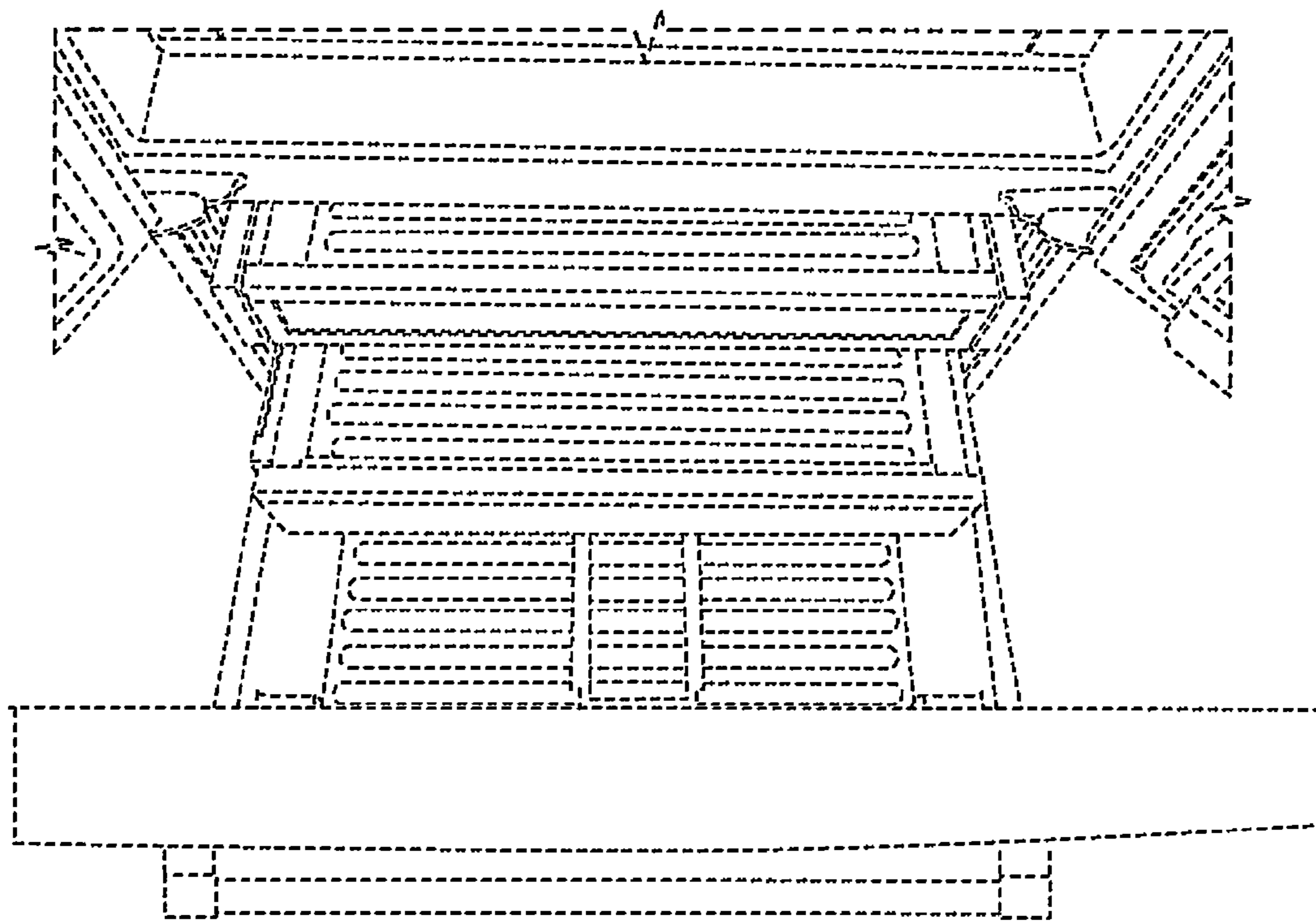


FIG. 30