



US00D735777S

(12) **United States Design Patent**
Schneider et al.

(10) **Patent No.:** **US D735,777 S**

(45) **Date of Patent:** **** Aug. 4, 2015**

(54) **CONDENSING MODULE FOR TEXTILE SPINNING MACHINE**

(71) Applicant: **Maschinenfabrik Rieter AG**,
Winterthur (CH)

(72) Inventors: **Gabriel Schneider**, Winterthur (CH);
Robert Nägeli, Kleinandelfingen (CH);
Ludek Malina, Kloten (CH)

(73) Assignee: **Maschinenfabrik Rieter AG**,
Winterthur (CH)

(**) Term: **14 Years**

(21) Appl. No.: **29/452,108**

(22) Filed: **Apr. 12, 2013**

(51) **LOC (10) Cl.** **15-06**

(52) **U.S. Cl.**
USPC **D15/78**

(58) **Field of Classification Search**
USPC D15/5, 6, 9, 66, 72, 78, 89; D23/231,
D23/232, 225; 417/60, 235, 265, 321, 355;
139/452; 242/128; 251/305
See application file for complete search history.

(56) **References Cited**

U.S. PATENT DOCUMENTS

- D356,096 S * 3/1995 Barros et al. D15/78
- D433,095 S * 10/2000 Beaver et al. D23/213
- D463,463 S * 9/2002 Zenoni et al. D15/78

- D464,065 S * 10/2002 Schmodde D15/78
- D533,192 S * 12/2006 Cimbura D15/5
- D668,684 S * 10/2012 Noguchi D15/9
- D681,059 S * 4/2013 Hsu et al. D15/5
- 2011/0126572 A1 * 6/2011 Peacos et al. 62/291
- 2013/0161551 A1 * 6/2013 Adenot et al. 251/305
- 2013/0230416 A1 * 9/2013 Verma et al. 417/321

* cited by examiner

Primary Examiner — Ian Simmons

Assistant Examiner — Khawaja Anwar

(74) *Attorney, Agent, or Firm* — Dority & Manning, P.A.

(57) **CLAIM**

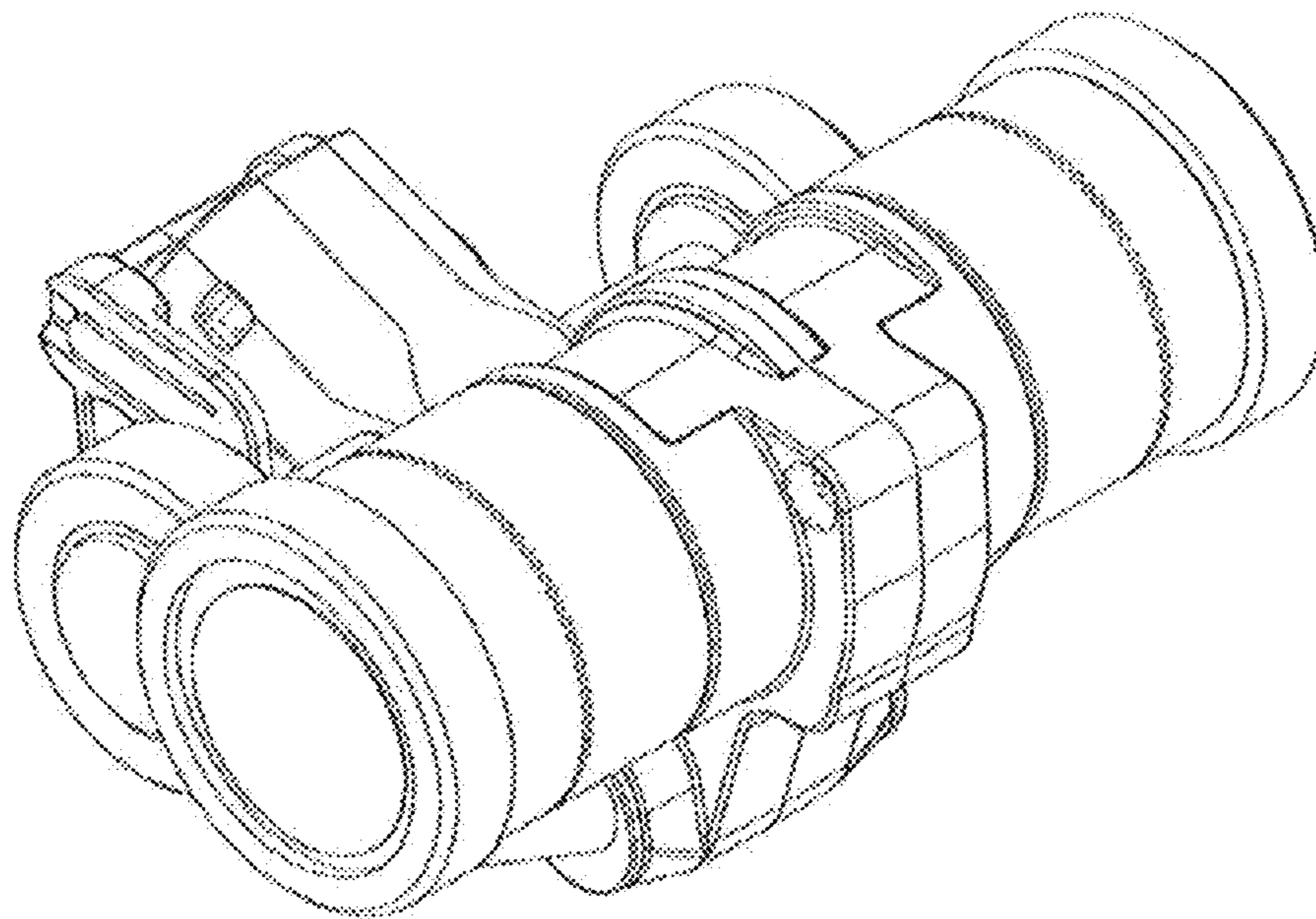
The condensing module for textile spinning machines, as shown and described.

DESCRIPTION

FIG. 1 is a perspective view of a condensing module for a textile spinning machine showing our new design; FIG. 2 is a left side view thereof; FIG. 3 is a right side view thereof; FIG. 4 is a top view thereof; FIG. 5 is a bottom view thereof; FIG. 6 is a front view thereof; and, FIG. 7 is a back view thereof.

The broken lines in the drawings are included to show unclaimed subject matter only and form no part of the claimed design.

1 Claim, 4 Drawing Sheets



(Perspective view)

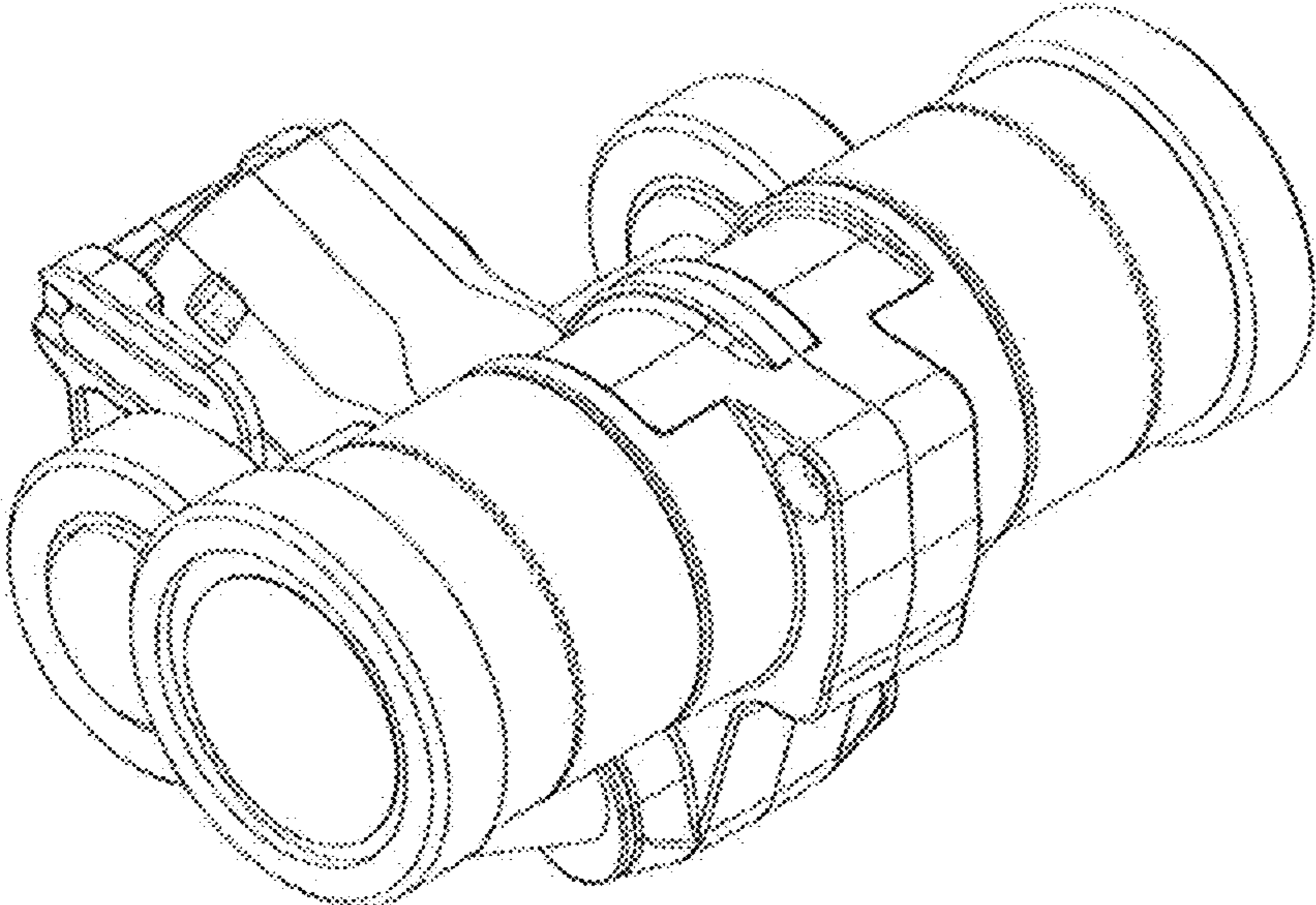


FIGURE 1 (Perspective view)

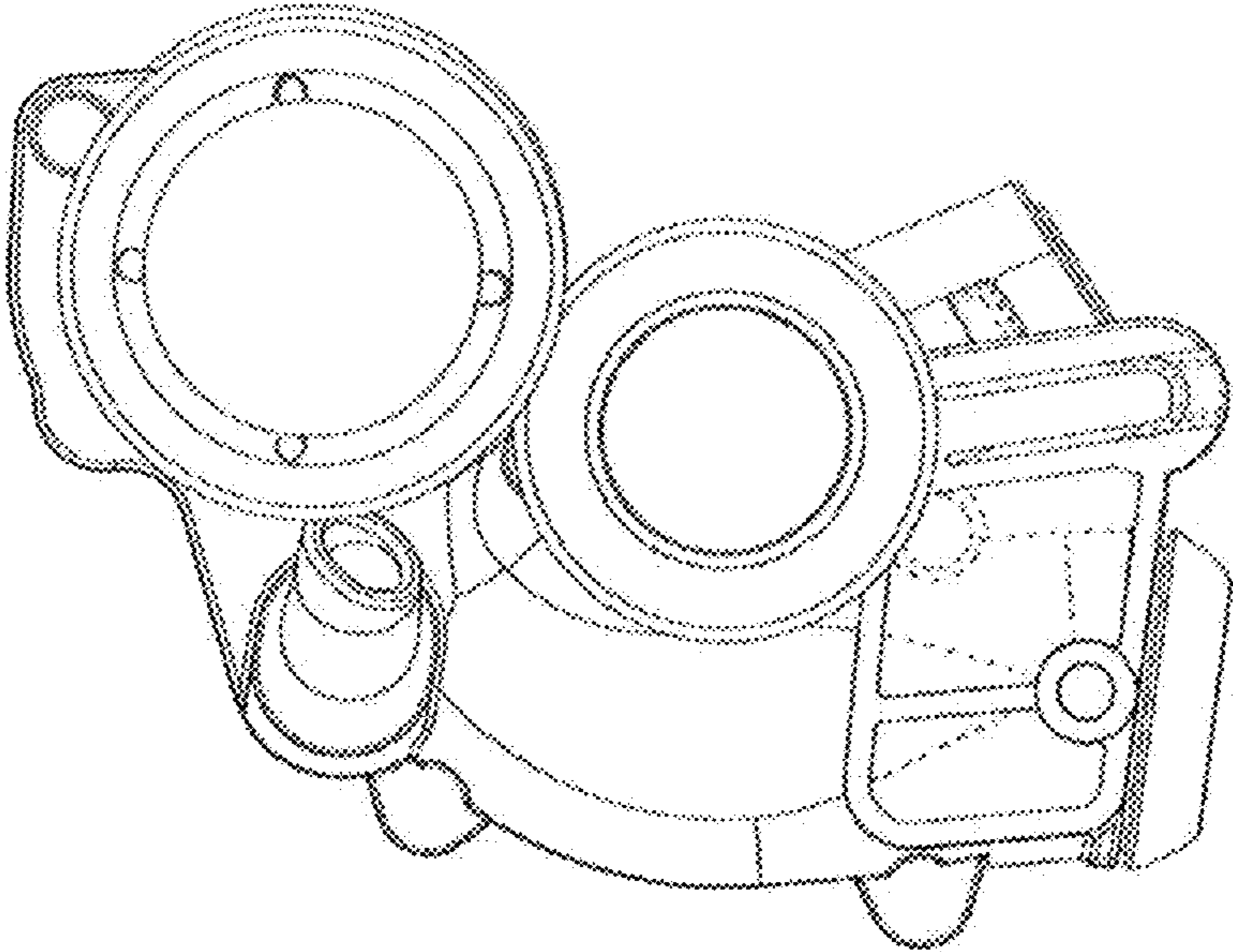


FIGURE 2 (Left side view)

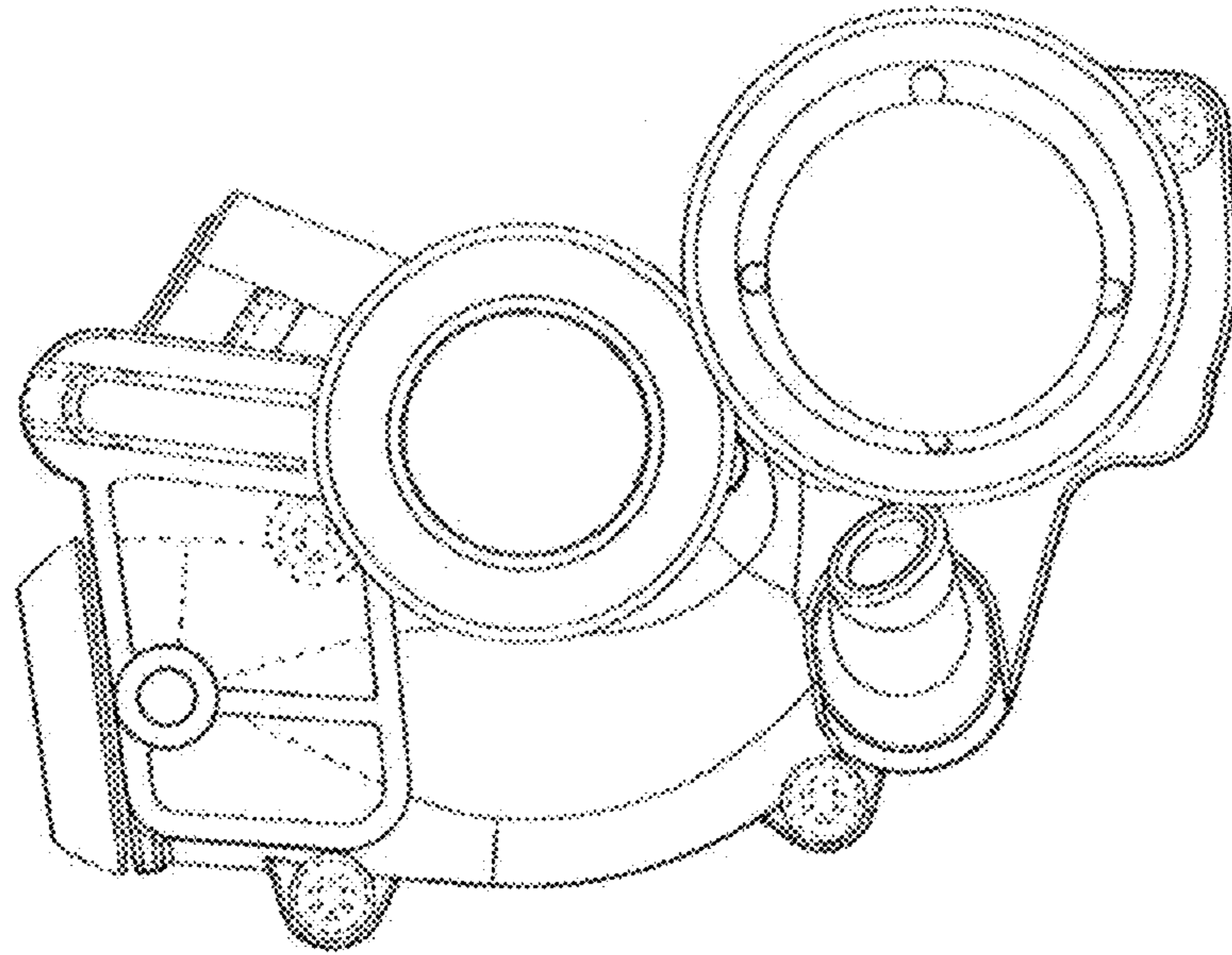


FIGURE 3 (Right side view)

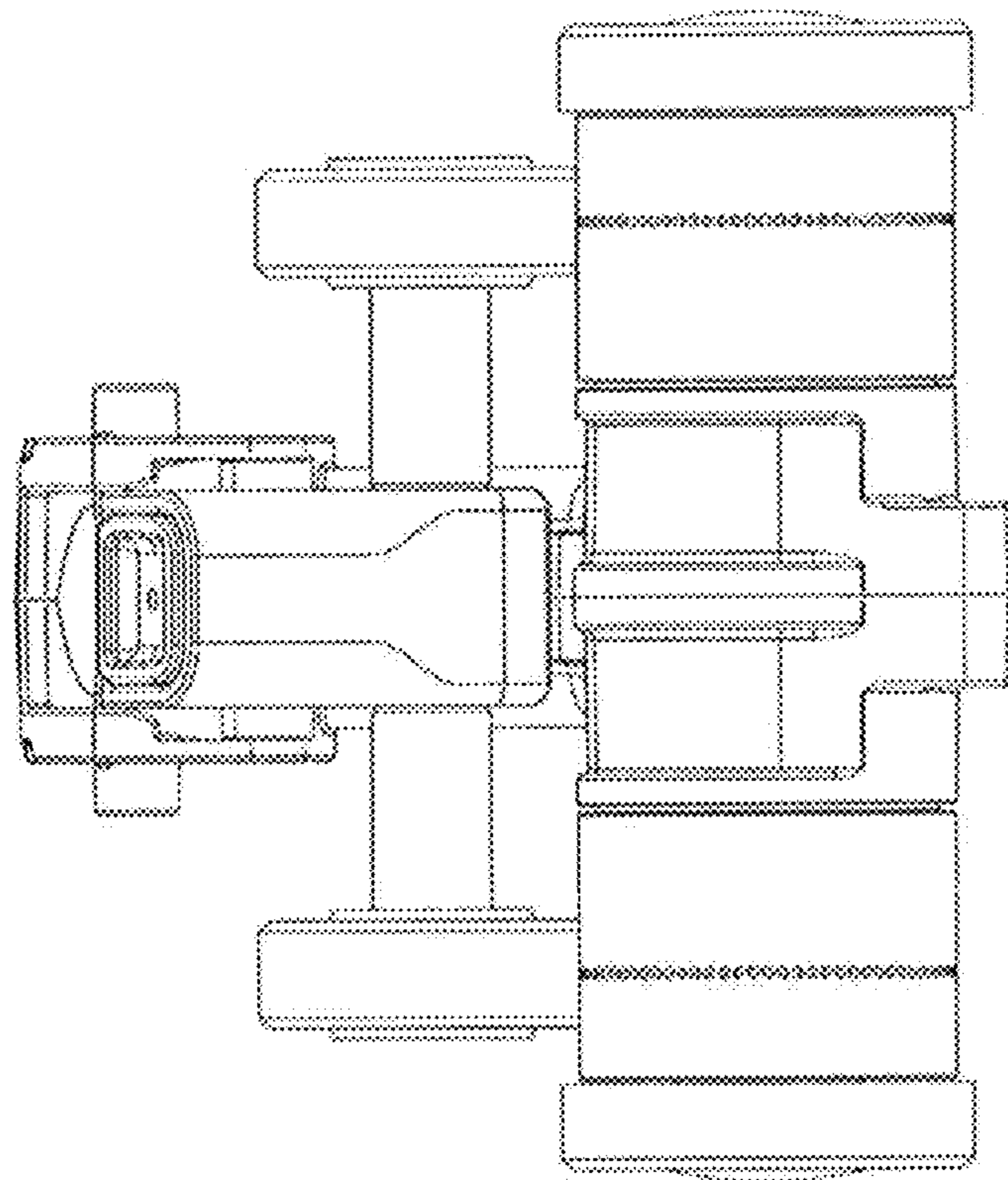


FIGURE 4 (Top view)

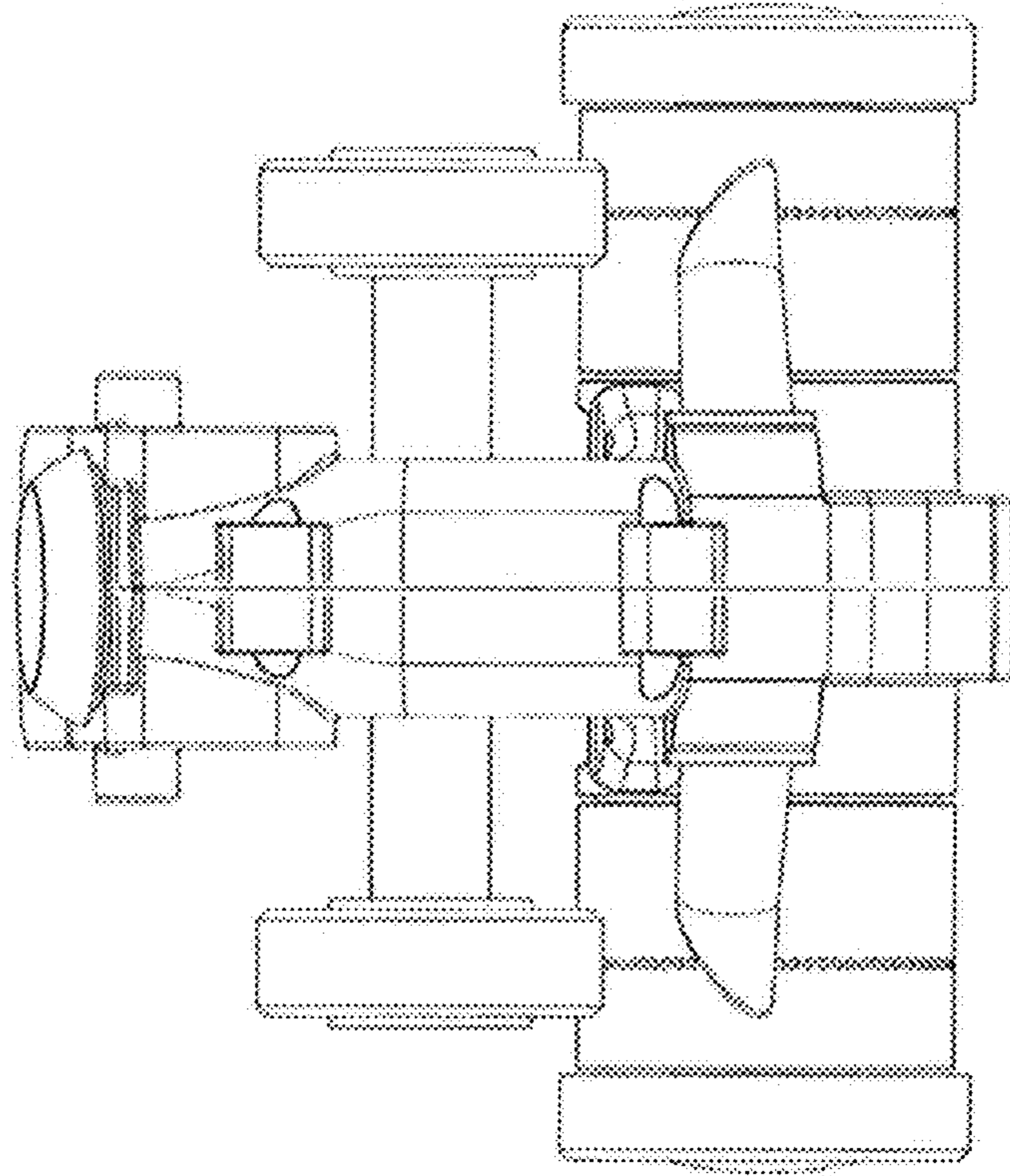


FIGURE 5 (Bottom view)

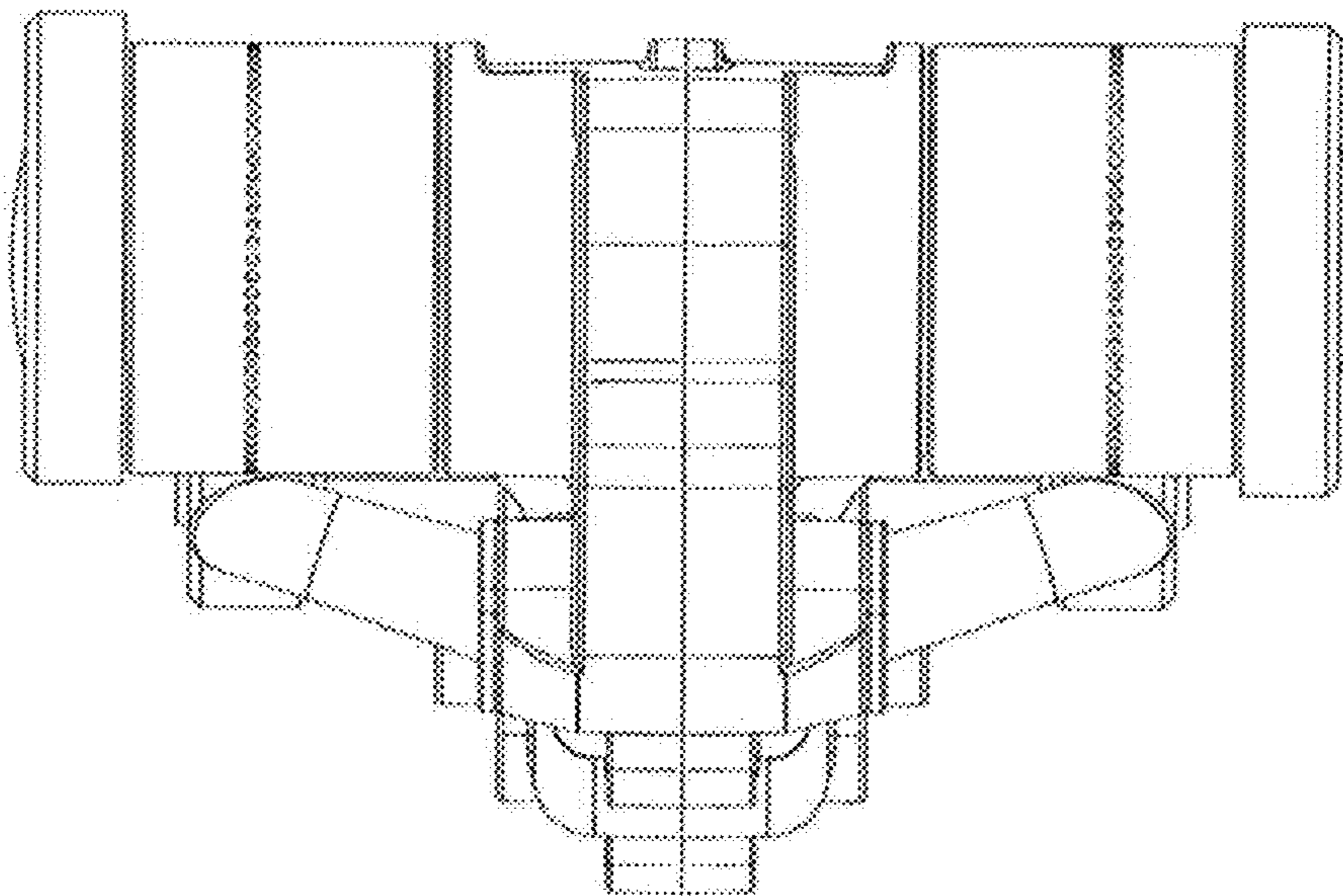


FIGURE 6 (Front view)

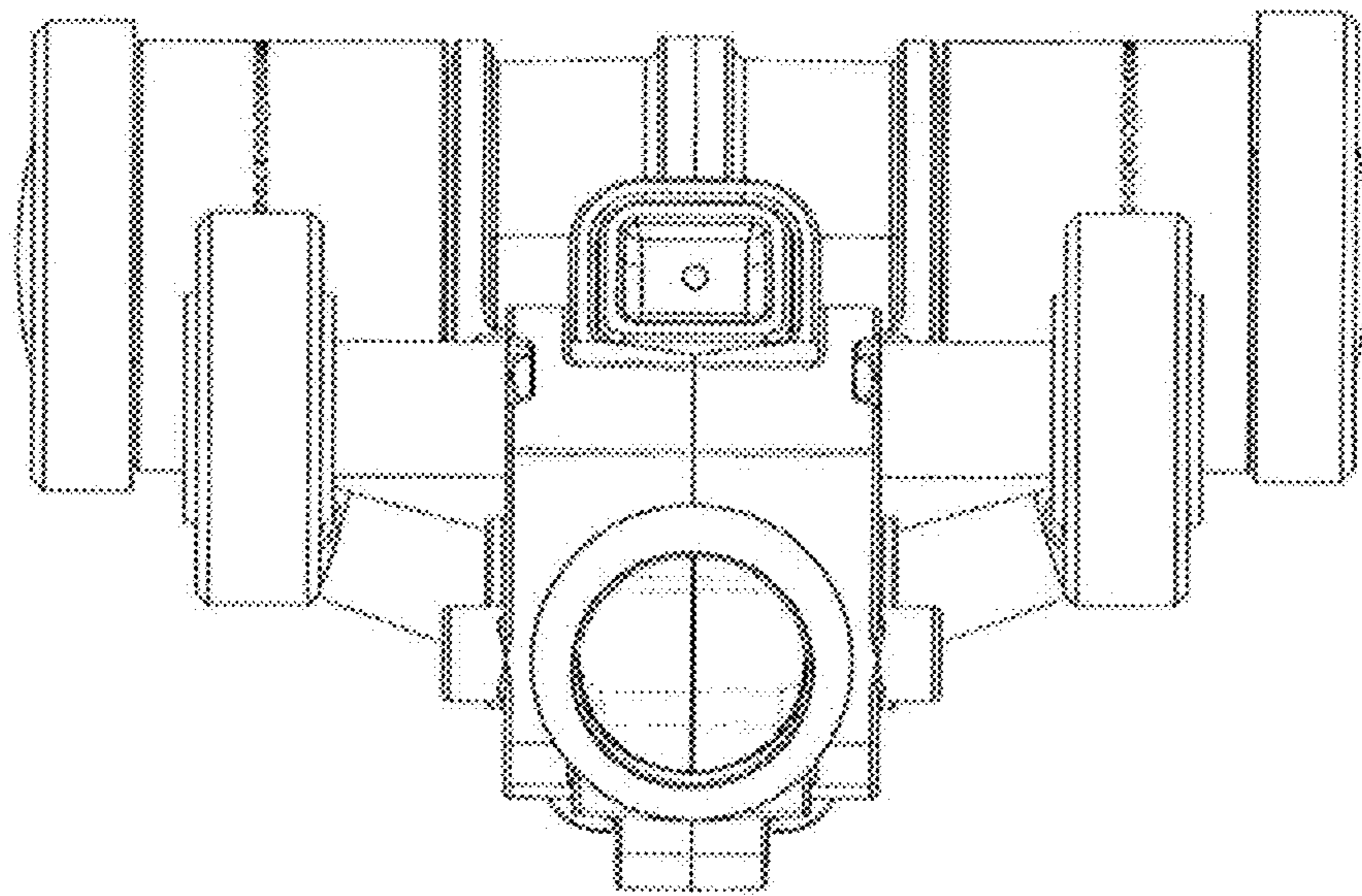


FIGURE 7 (Rear view)