



US00D735776S

(12) **United States Design Patent**
Rastogi

(10) **Patent No.:** **US D735,776 S**

(45) **Date of Patent:** **** Aug. 4, 2015**

(54) **INTERCHANGEABLE CIRCULAR KNITTING NEEDLE**

(71) Applicant: **KNITPRO INTERNATIONAL**, Jaipur (IN)

(72) Inventor: **Ashoke Kumar Rastogi**, Noida (IN)

(73) Assignee: **KNITPRO INTERNATIONAL**, Jaipur (Raj) (IN)

(**) Term: **14 Years**

(21) Appl. No.: **29/473,825**

(22) Filed: **Nov. 26, 2013**

(51) **LOC (10) Cl.** **15-06**

(52) **U.S. Cl.**
USPC **D15/66**

(58) **Field of Classification Search**
USPC D15/66, 72, 73, 78; D8/14, 22, 83, 98, D8/107, 307; D3/18, 28, 29
CPC D04B 1/00; D04B 1/02; D04B 1/025; D04B 1/06; D04B 1/10; D04B 1/12; D04B 1/22; D04B 1/24; D04B 3/00; D04B 3/02; D04B 5/00; D04B 31/00; D04B 31/02; D04B 39/00; D03D 29/00; D03D 33/00; D03D 41/00; D03D 47/00

See application file for complete search history.

(56) **References Cited**

U.S. PATENT DOCUMENTS

D54,688	S	*	3/1920	Schoettel	D3/28
D99,273	S	*	4/1936	Ellis	D3/28
2,258,925	A	*	10/1941	Burg	66/117
3,986,468	A	*	10/1976	Szostak et al.	112/222
D250,194	S	*	11/1978	Hanyu	D15/78
D615,747	S	*	5/2010	Lindahl	D3/28

* cited by examiner

Primary Examiner — Daniel Bui

Assistant Examiner — Khawaja Anwar

(74) *Attorney, Agent, or Firm* — Gottlieb, Rackman & Reisman, P.C.

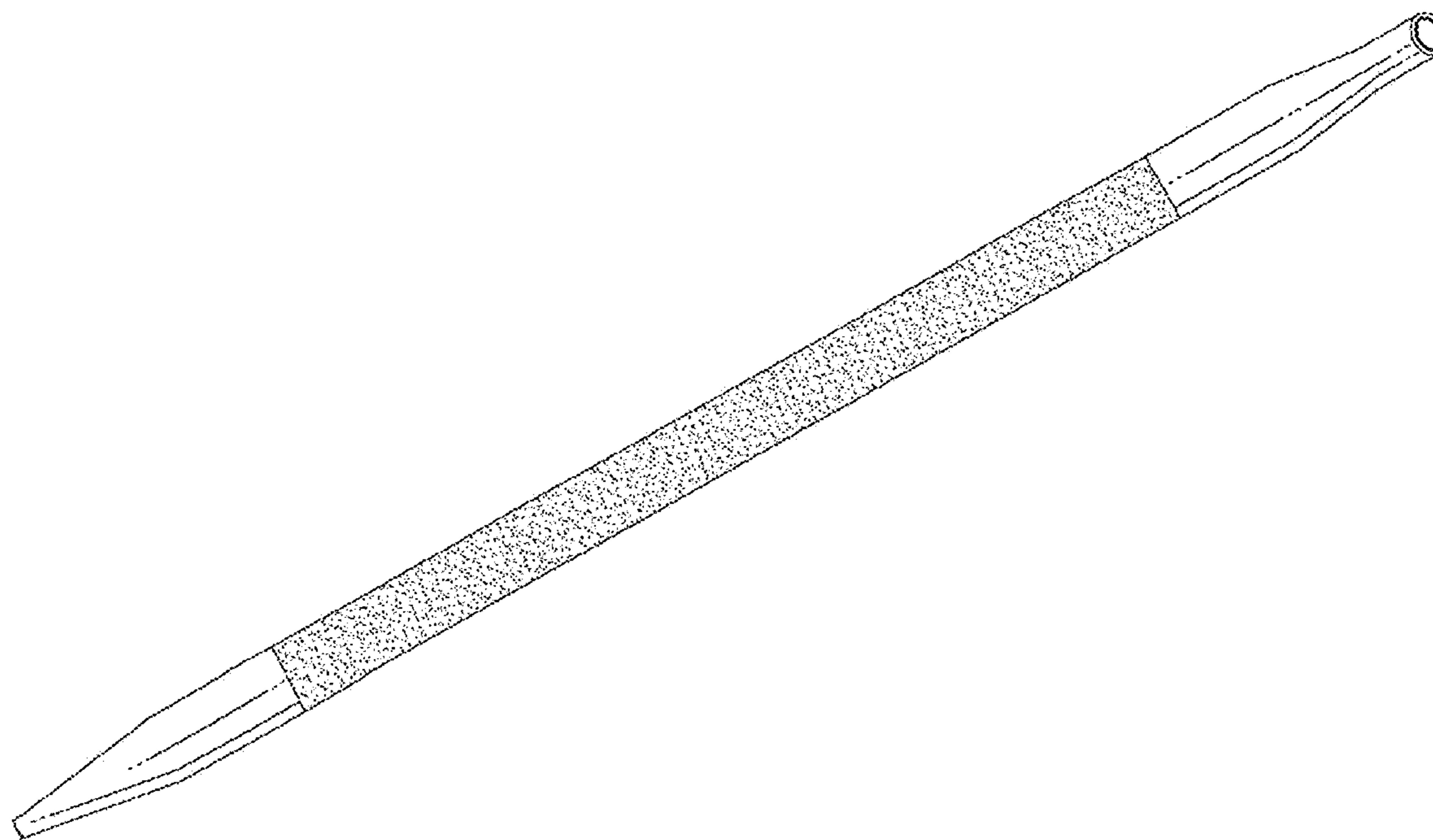
(57) **CLAIM**

The ornamental design for an interchangeable circular knitting needle, as shown and described.

DESCRIPTION

FIG. 1 is a perspective view of the interchangeable circular knitting needle showing my new design; FIG. 2 is a top plan view thereof; FIG. 3 is an enlarged front view thereof; FIG. 4 is an enlarged rear view thereof; and, FIG. 5 is an enlarged sectional view of FIG. 2. The stippling feature shown in the drawings represents a different textured surface from the rest of the claimed article.

1 Claim, 3 Drawing Sheets



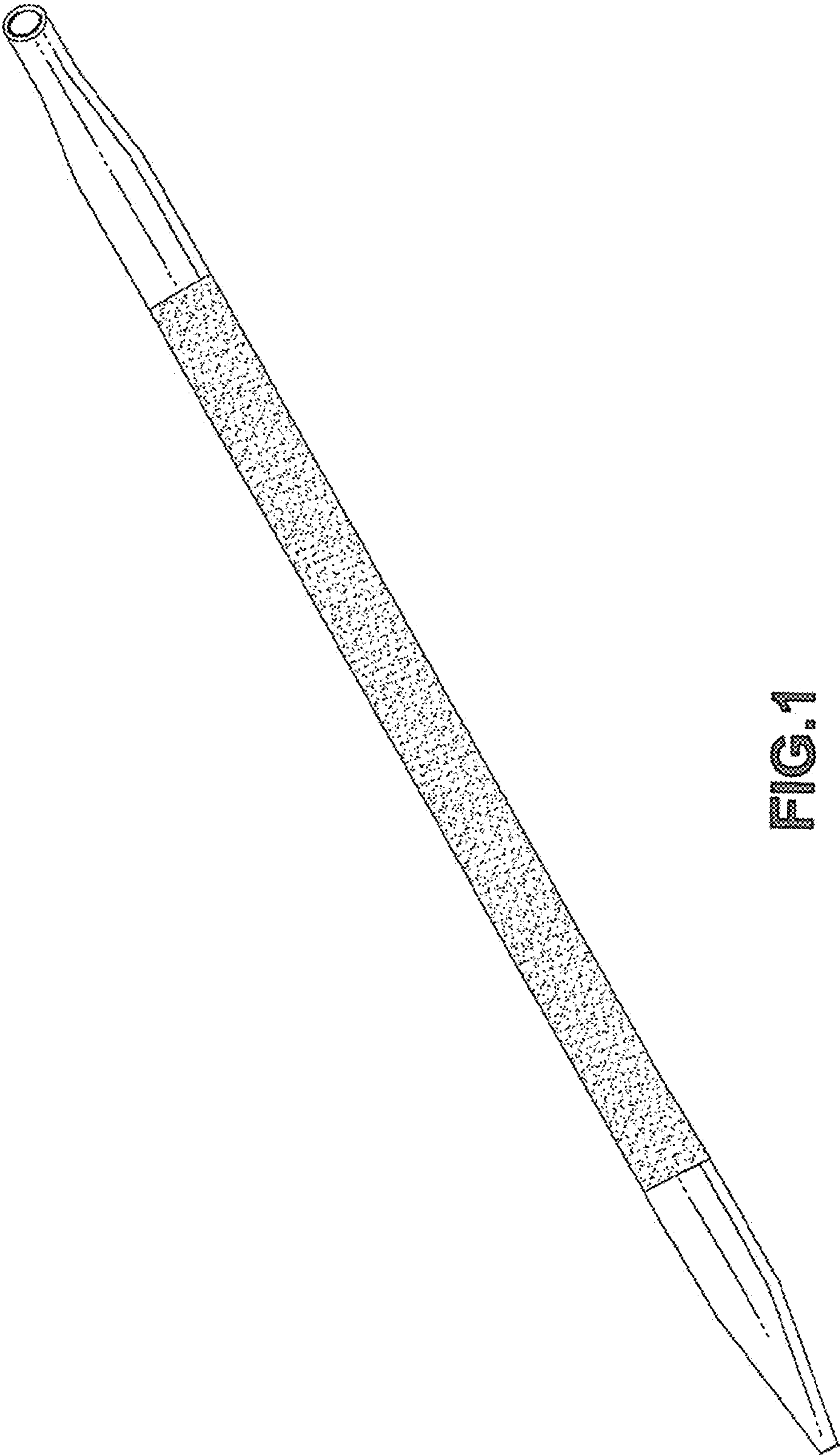


FIG.1

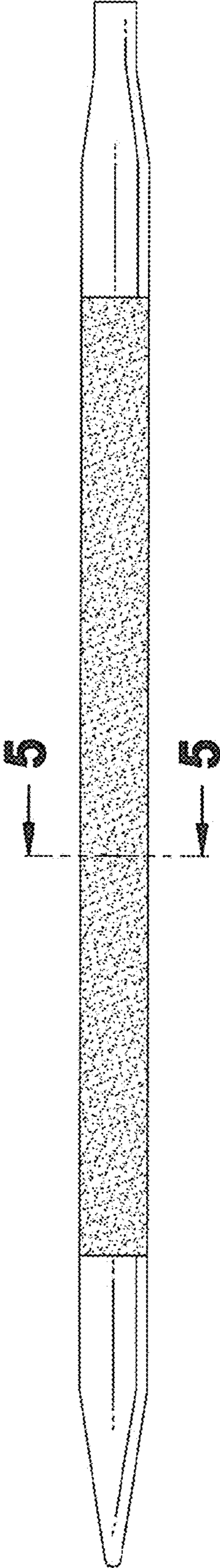


FIG.2

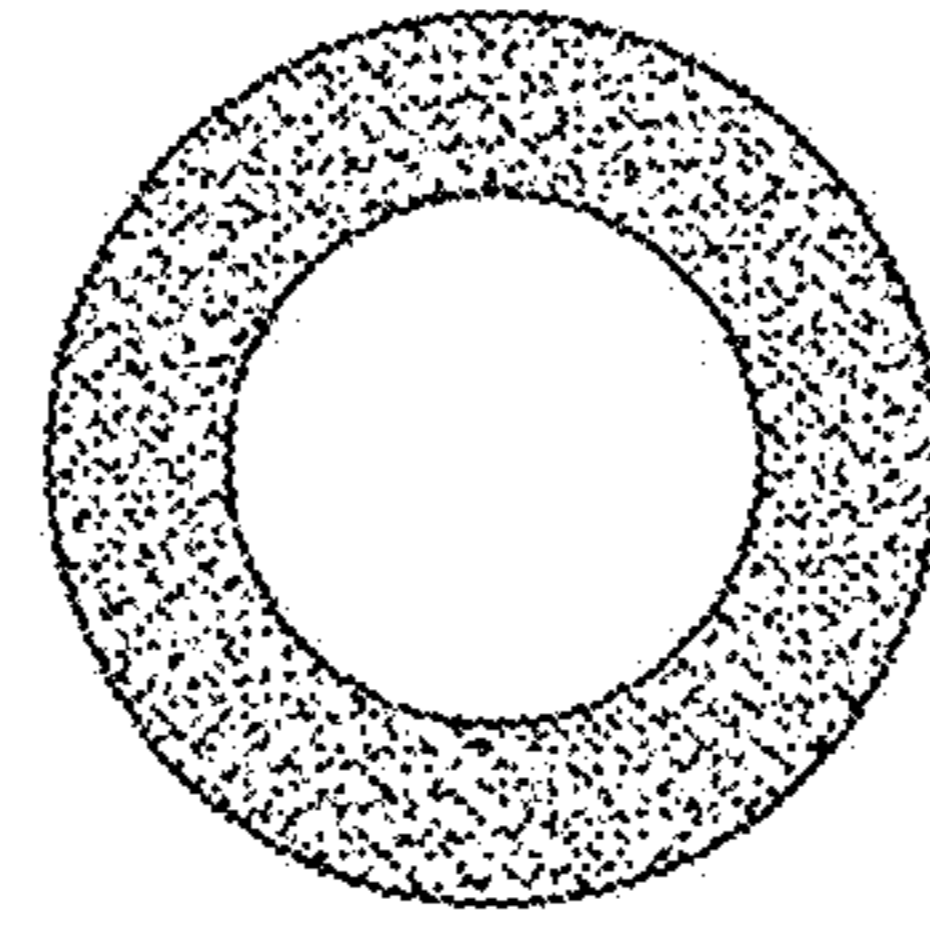


FIG. 5

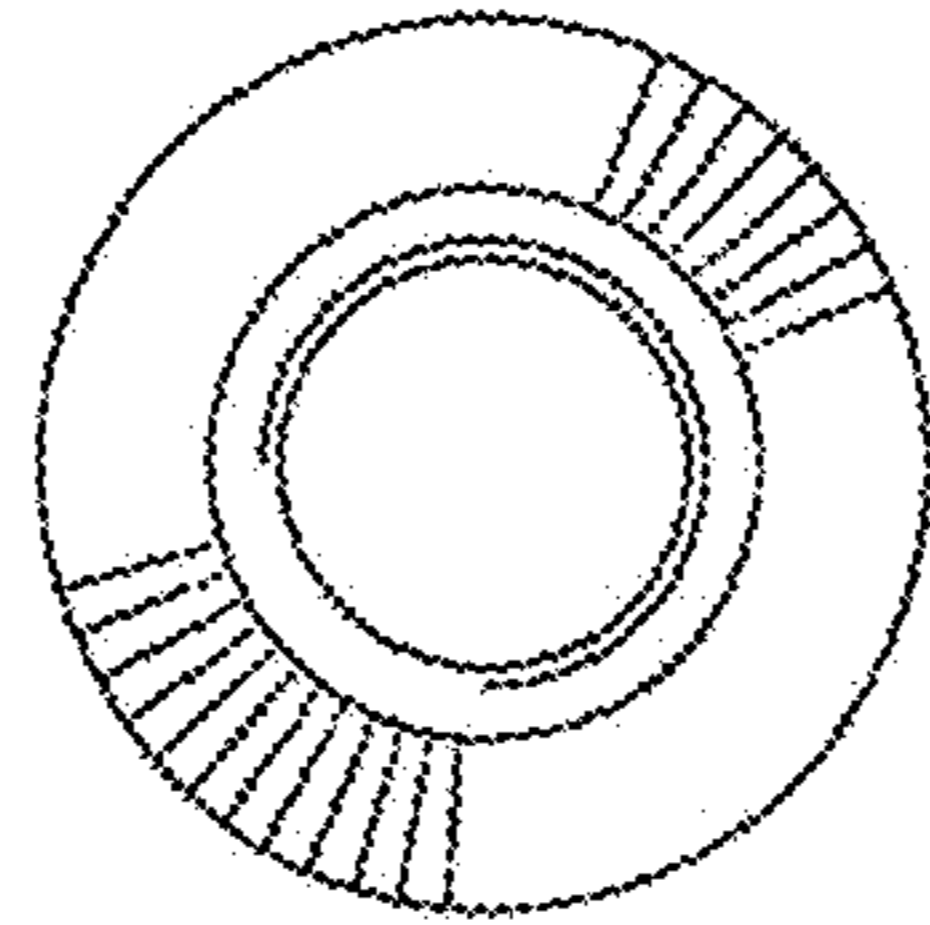


FIG. 4

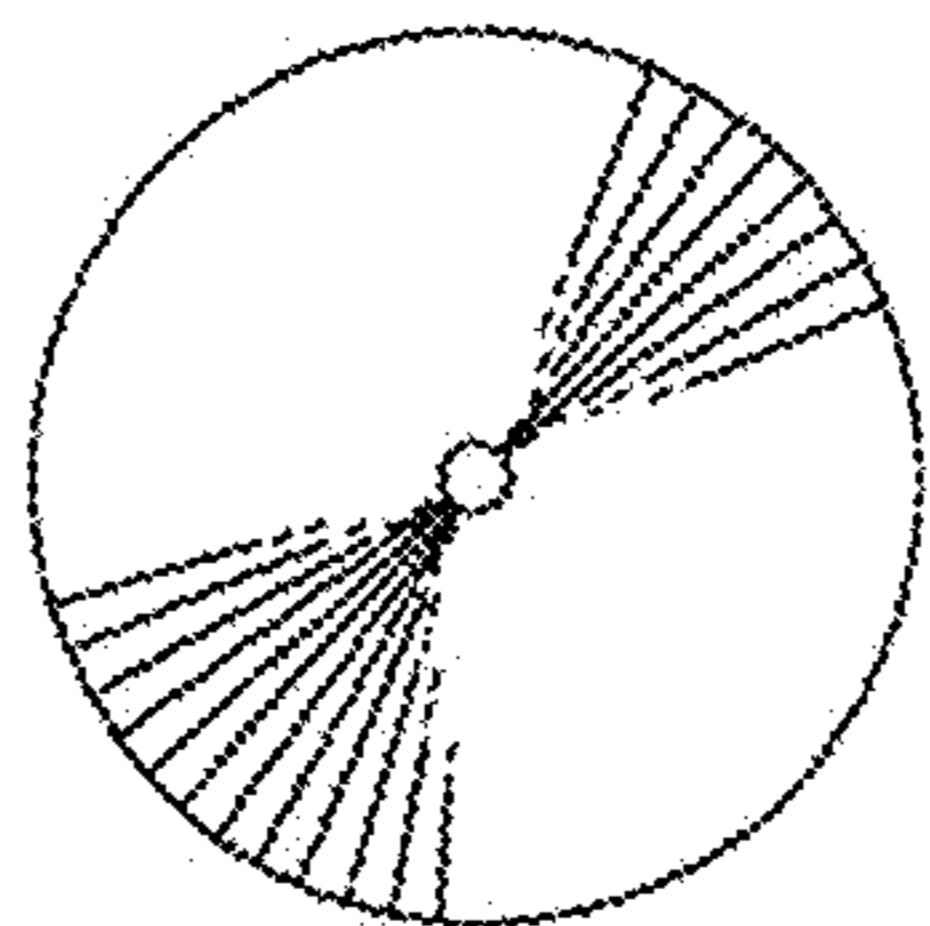


FIG. 3