



US00D735773S

(12) **United States Design Patent**
Aracama Martinez de Lahidalga

(10) **Patent No.:** **US D735,773 S**
(45) **Date of Patent:** **** Aug. 4, 2015**

(54) **TEETH FOR A RIPPER (PART OF EXCAVATOR)**

(71) Applicant: **Javier Aracama Martinez de Lahidalga**, Vitoria-Gasteiz (ES)

(72) Inventor: **Javier Aracama Martinez de Lahidalga**, Vitoria-Gasteiz (ES)

(**) Term: **14 Years**

(21) Appl. No.: **29/462,818**

(22) Filed: **Aug. 8, 2013**

(30) **Foreign Application Priority Data**

Feb. 8, 2013 (EM) 2181255

(51) **LOC (10) Cl.** **15-03**

(52) **U.S. Cl.**
USPC **D15/29**

(58) **Field of Classification Search**
USPC D15/28, 29; 37/446, 452, 454, 455
See application file for complete search history.

(56) **References Cited**

U.S. PATENT DOCUMENTS

3,444,633	A *	5/1969	Hensley	37/452
4,949,481	A *	8/1990	Fellner	37/452
D336,304	S *	6/1993	Robinson	D15/29
D413,338	S *	8/1999	Pueyo Molina	D15/29
D454,891	S *	3/2002	Ketting et al.	D15/29

(Continued)

Primary Examiner — Robin V Webster

(74) *Attorney, Agent, or Firm* — Arent Fox LLP

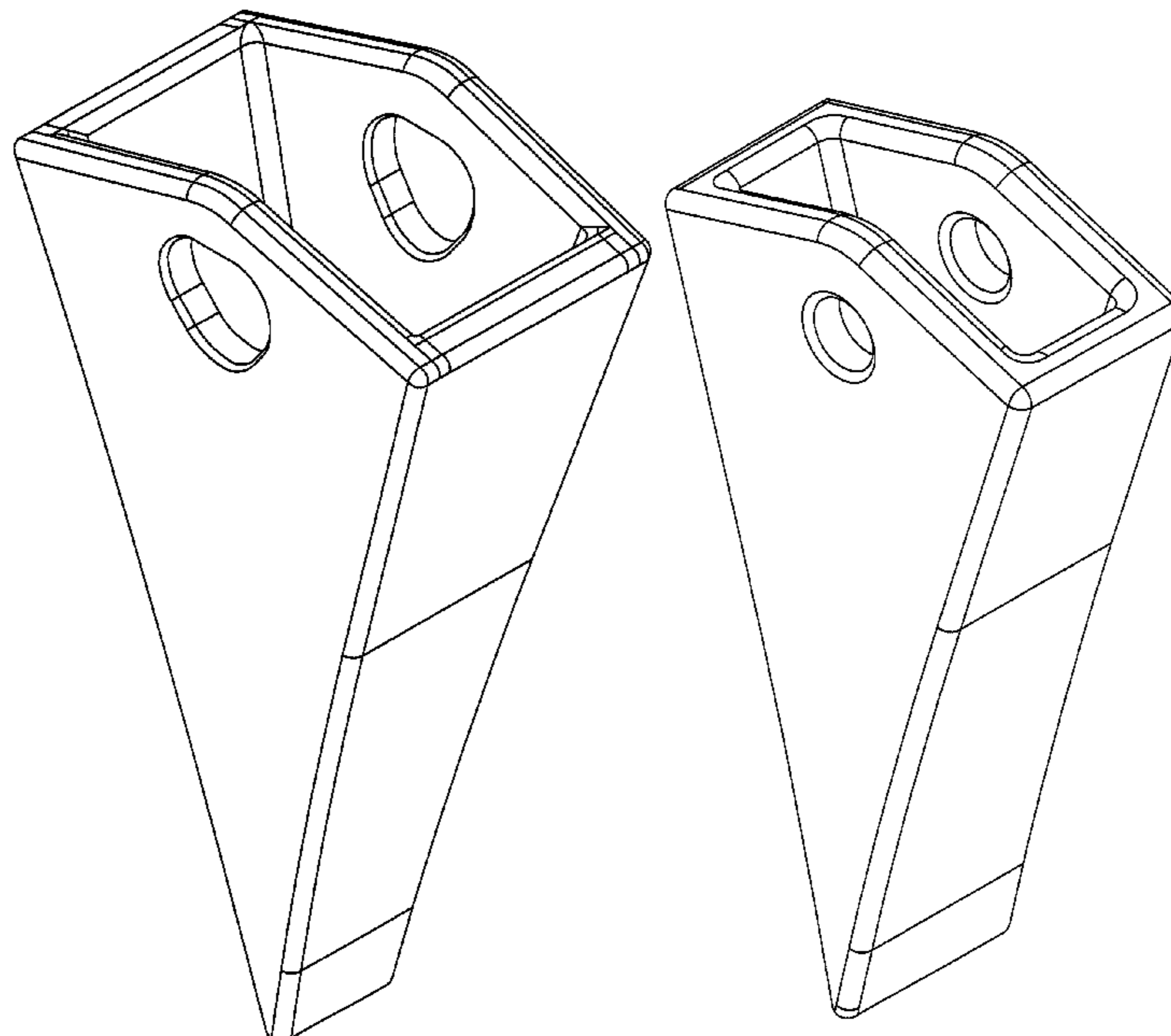
(57) **CLAIM**

The ornamental design for an teeth for a ripper (part of excavator), as shown and described.

DESCRIPTION

FIG. 1 is a perspective view of an excavator showing my new design, according to a first embodiment;
 FIG. 2 is a front/back view of the design shown in FIG. 1;
 FIG. 3 is a left side/right side view of the design shown in FIG. 1;
 FIG. 4 is a top view of the design shown in FIG. 1;
 FIG. 5 is a cross section 5-5 view of the design shown in FIG. 3;
 FIG. 6 is a cross section 6-6 view of the design shown in FIG. 4;
 FIG. 7 is a perspective view of a second embodiment thereof;
 FIG. 8 is a front/back view thereof;
 FIG. 9 is a left side/right side view of the design shown in FIG. 7;
 FIG. 10 is a top view of the design shown in FIG. 7;
 FIG. 11 is a cross section taken along line 11-11 in FIG. 9;
 FIG. 12 is a cross section taken along line 12-12 in FIG. 10;
 FIG. 13 is a perspective view of a third embodiment thereof;
 FIG. 14 is a front/back view thereof;
 FIG. 15 is a left side/right side view of the design shown in FIG. 13;
 FIG. 16 is a top view of the design shown in FIG. 13;
 FIG. 17 is a cross section taken along line 17-17 in FIG. 15;
 FIG. 18 is a cross section taken along line 18-18 in FIG. 16;
 FIG. 19 is a perspective view of a fourth embodiment thereof;
 FIG. 20 is a front/back view thereof;
 FIG. 21 is a left side/right side view of the design shown in FIG. 19;
 FIG. 22 is a top view of the design shown in FIG. 19;
 FIG. 23 is a cross section taken along line 23-23 in FIG. 21;
 and,
 FIG. 24 is a cross section taken along line 24-24 in FIG. 22.

1 Claim, 24 Drawing Sheets



US D735,773 S

Page 2

(56)

References Cited

U.S. PATENT DOCUMENTS

D460,464 S * 7/2002 Ketting et al. D15/29
D461,198 S * 8/2002 Ketting et al. D15/29
D486,836 S * 2/2004 Launder et al. D15/29

D527,029 S * 8/2006 Launder et al. D15/29
D600,723 S * 9/2009 Bartolome D15/29
D685,009 S * 6/2013 Saito et al. D15/28

* cited by examiner

FIG. 1

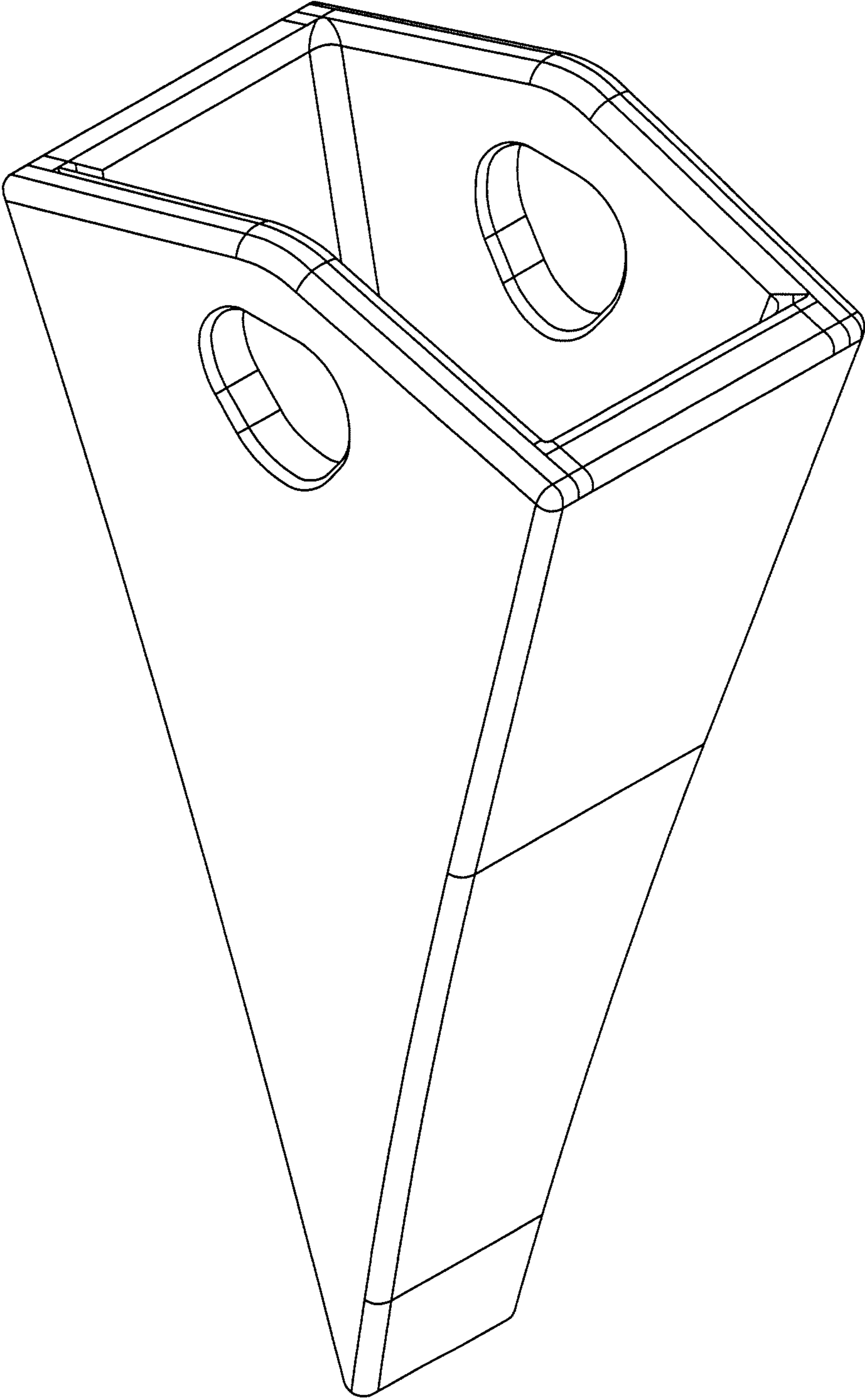


FIG.2

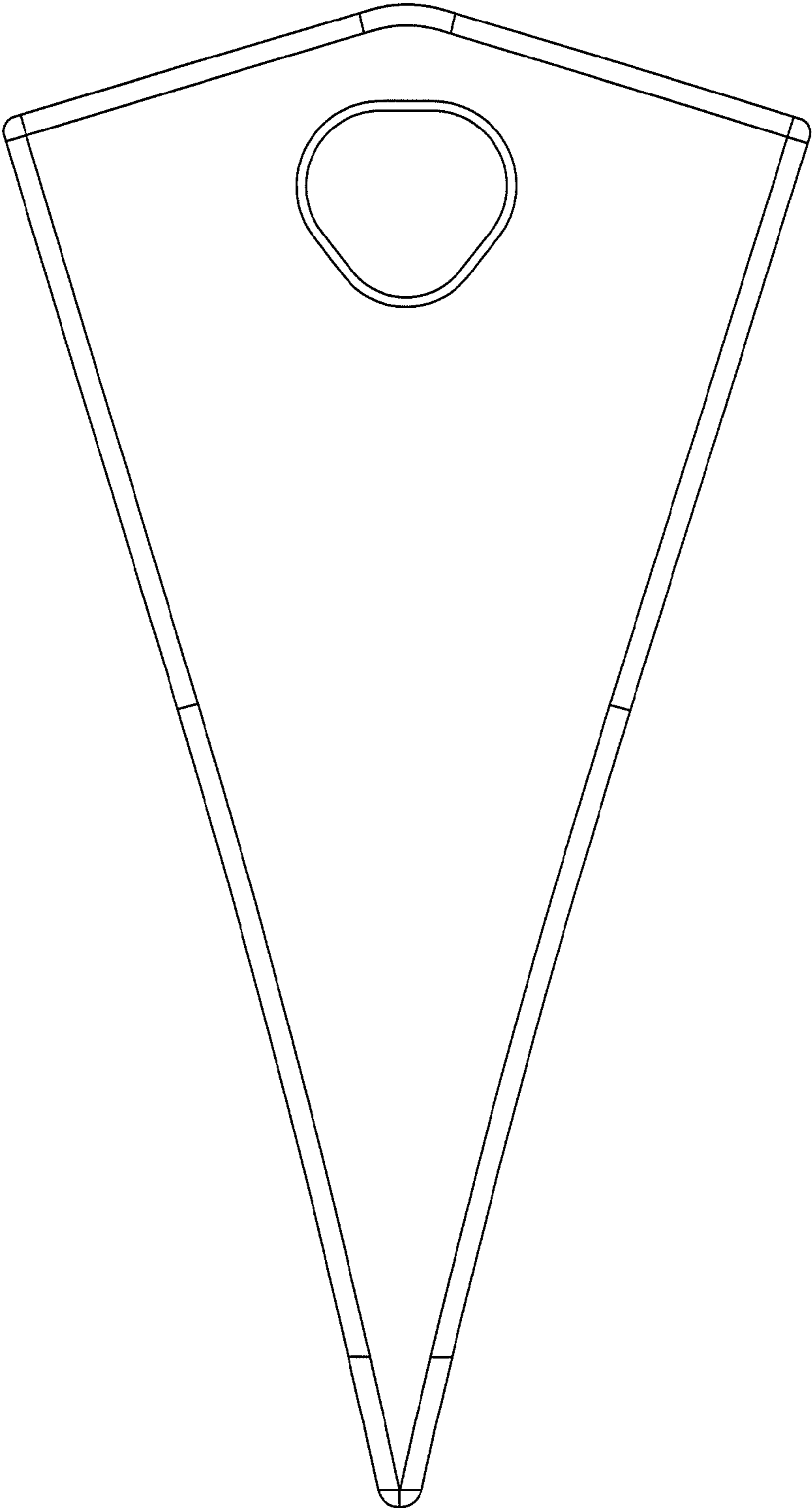


FIG.3

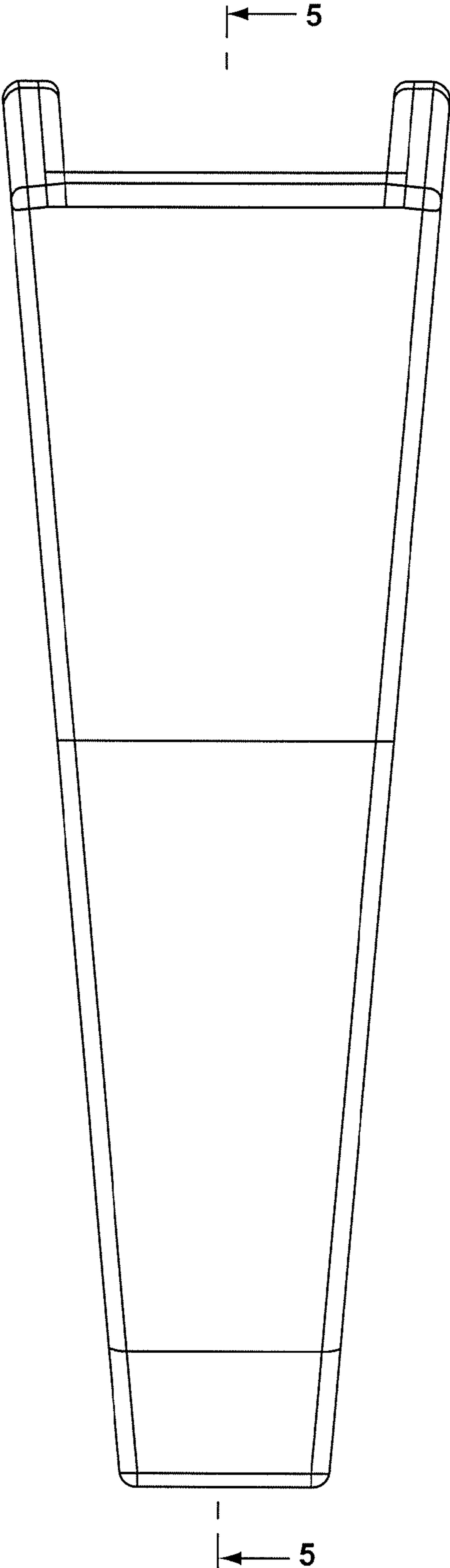


FIG.4

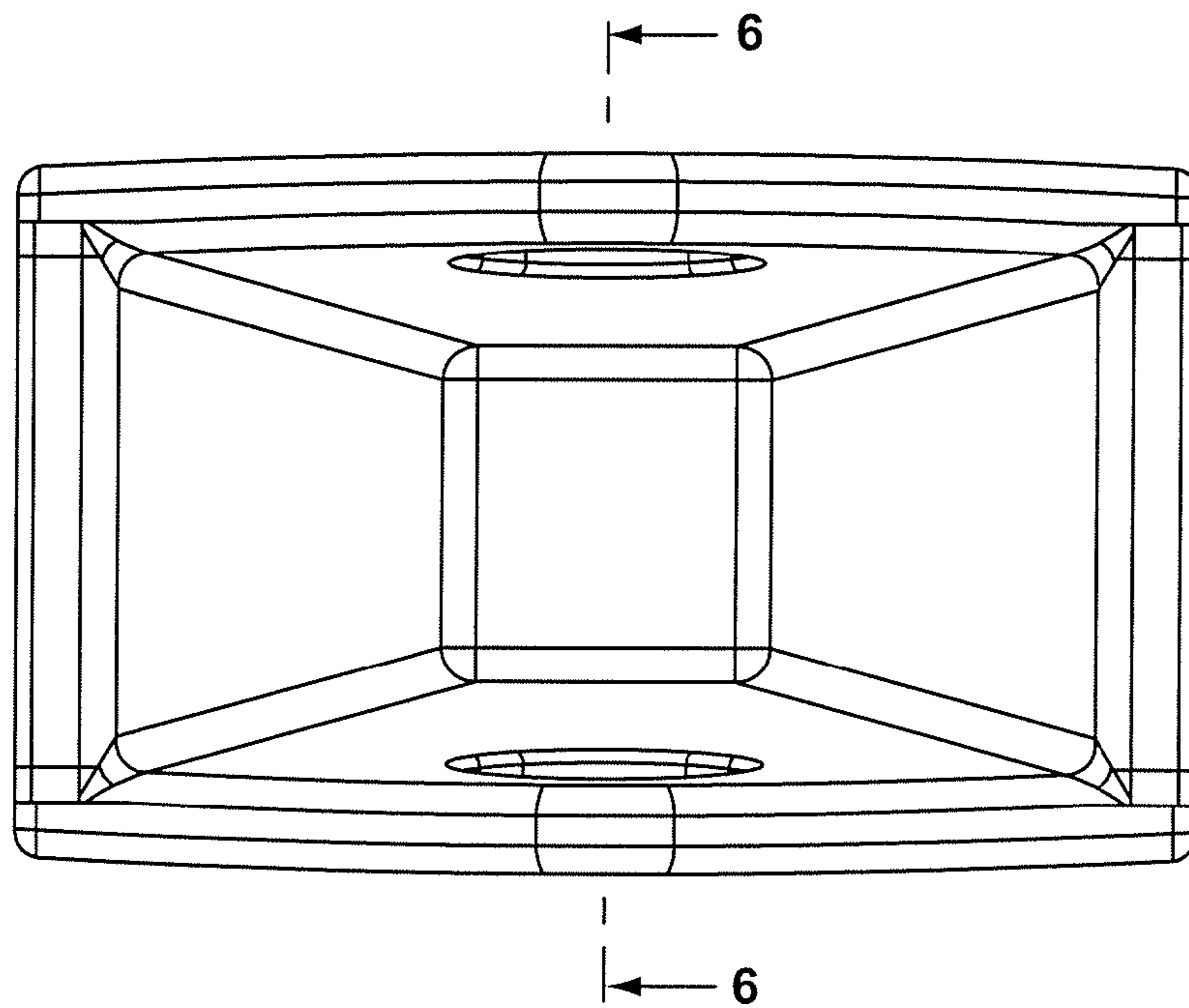


FIG.5

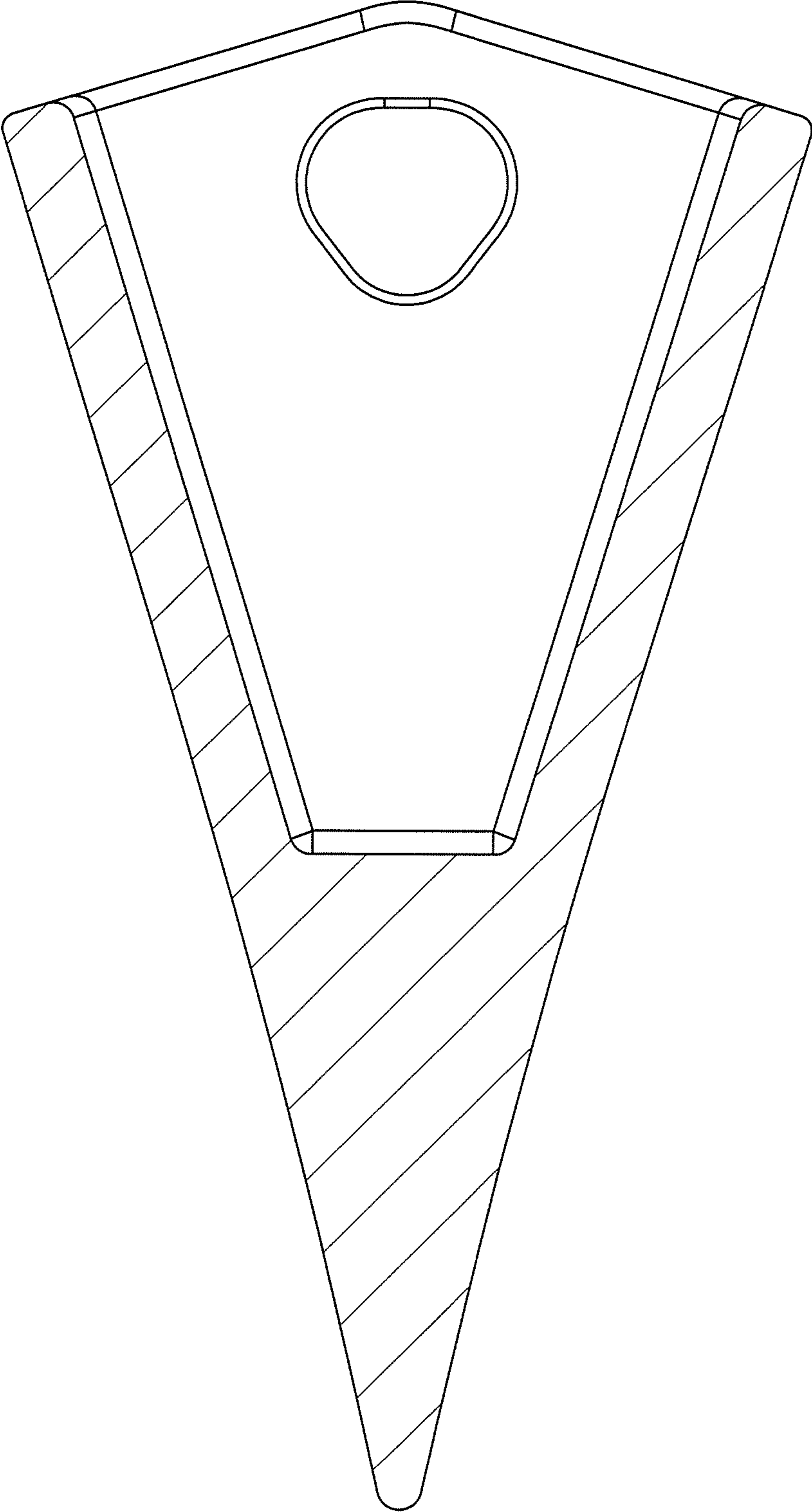


FIG.6

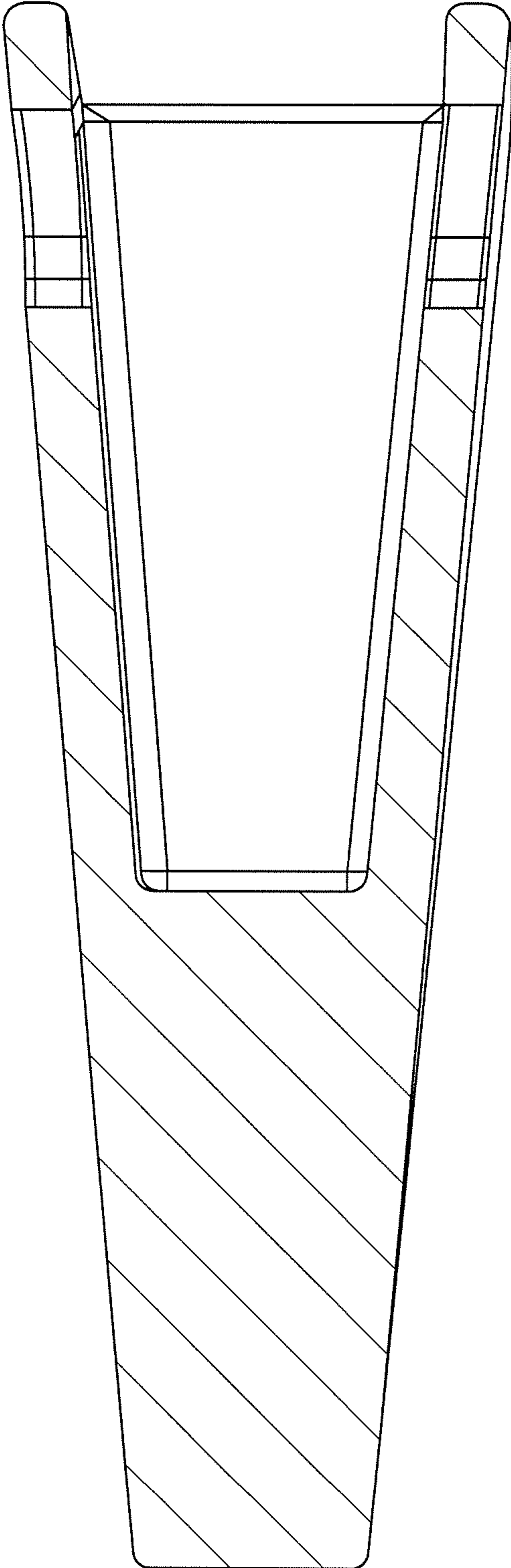


FIG.7

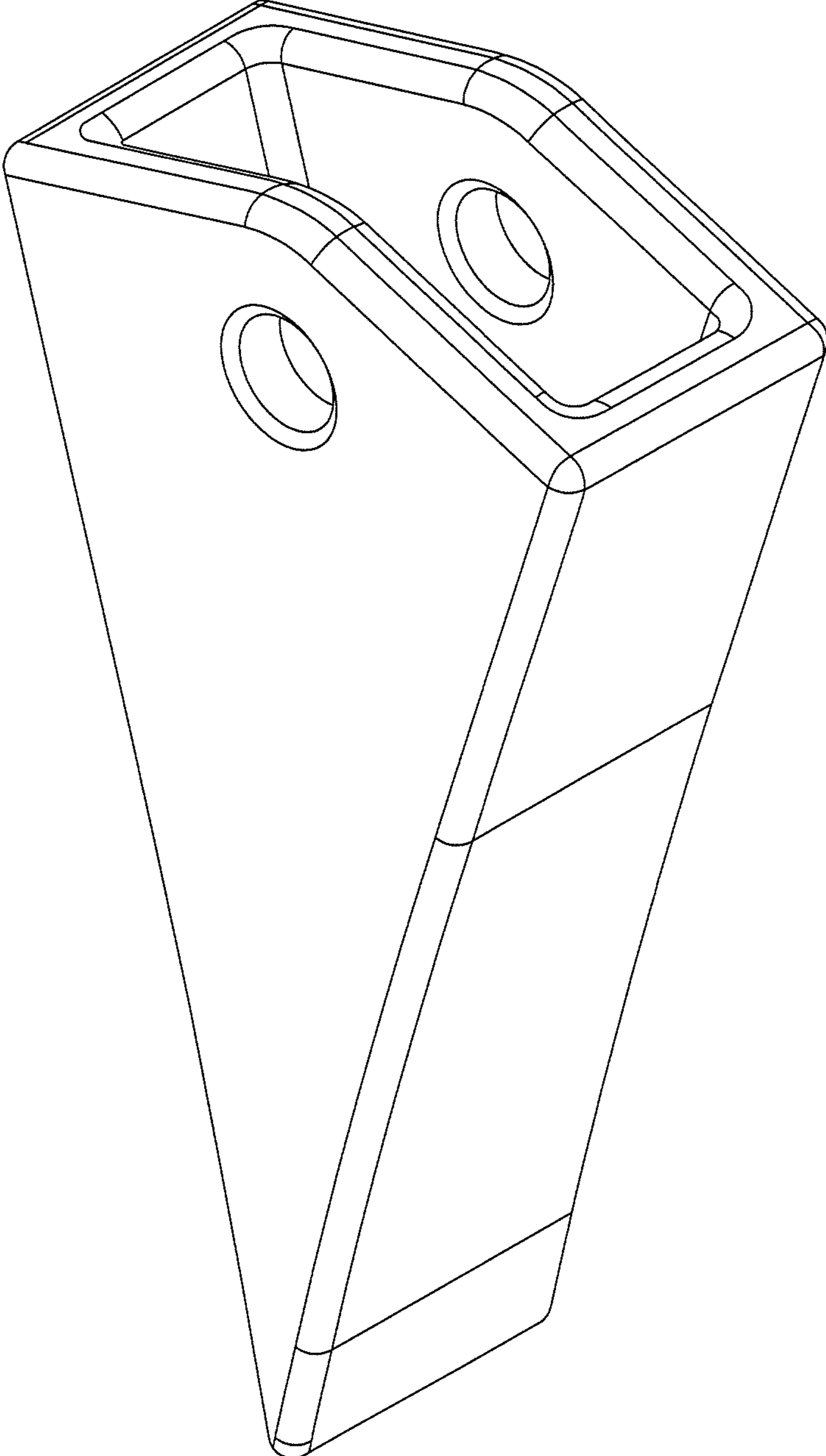


FIG.8

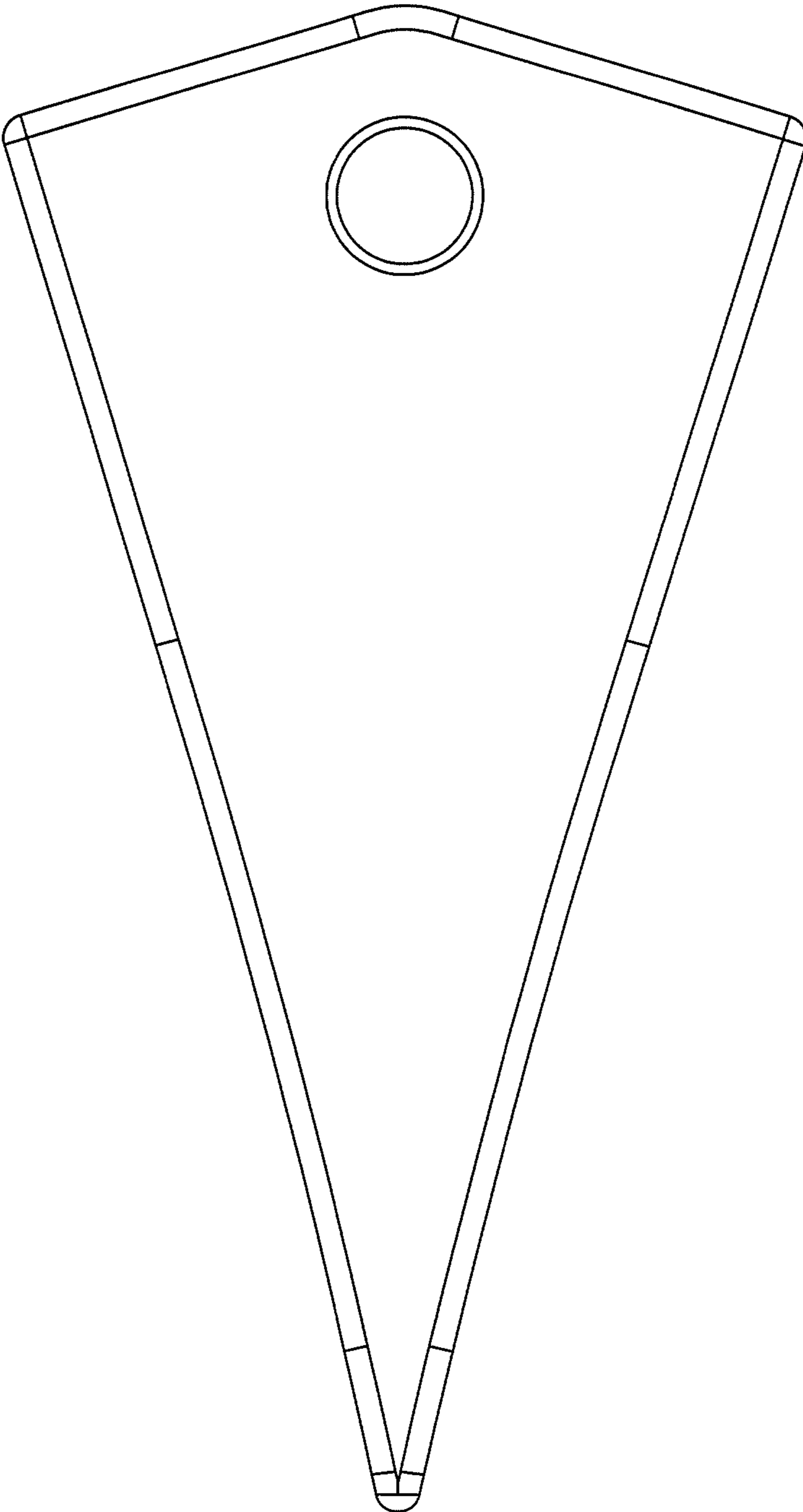


FIG.9

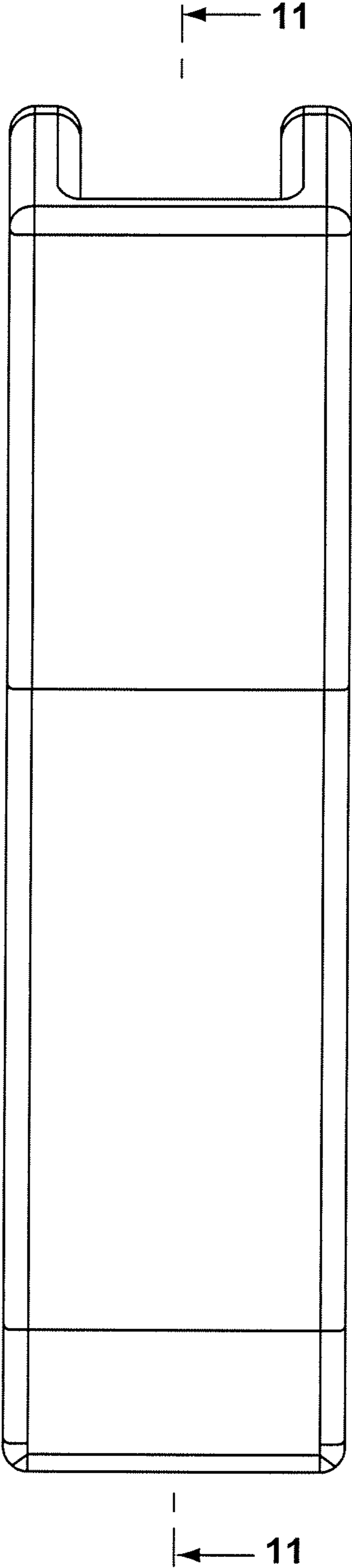


FIG. 10

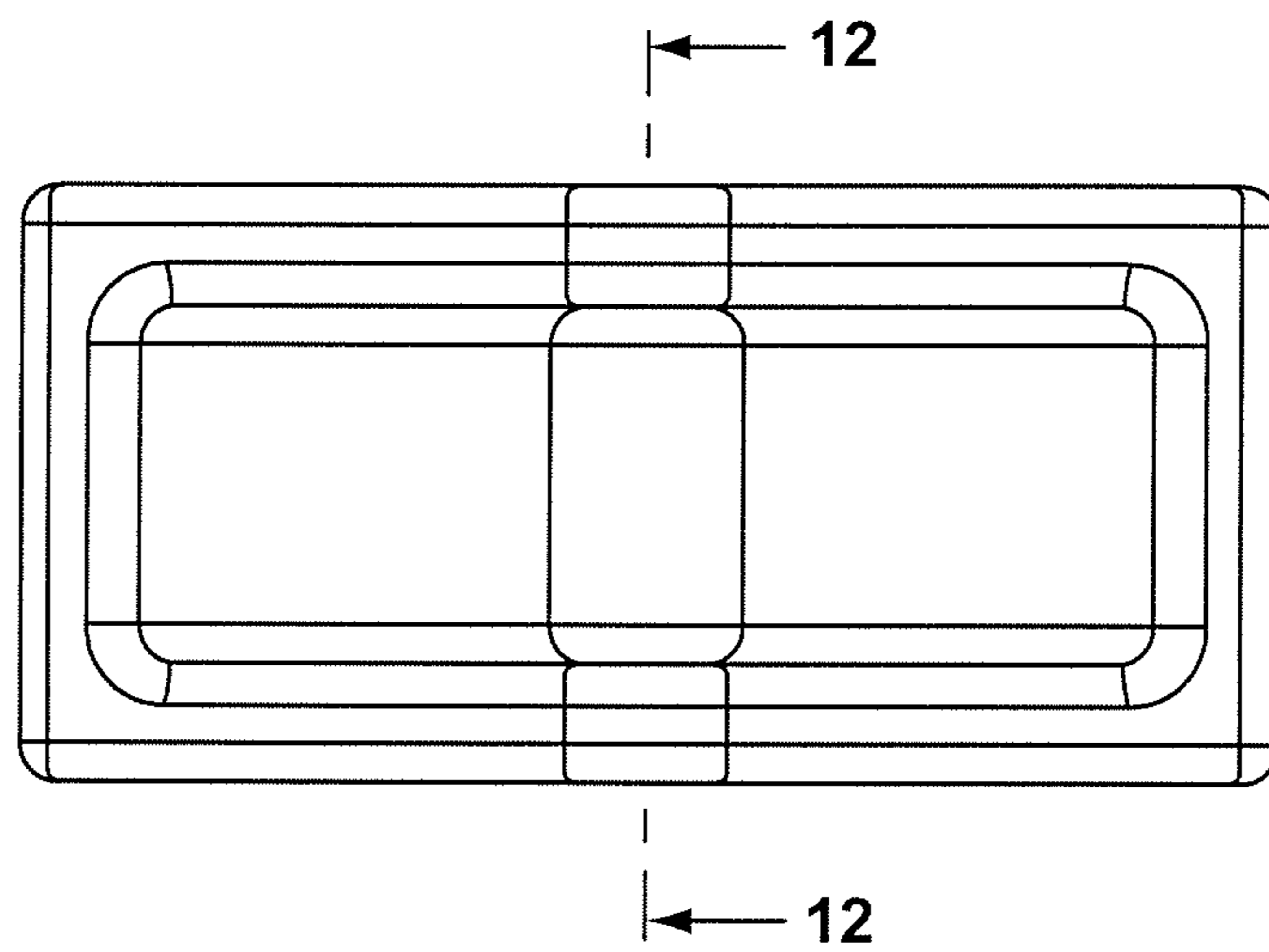


FIG.11

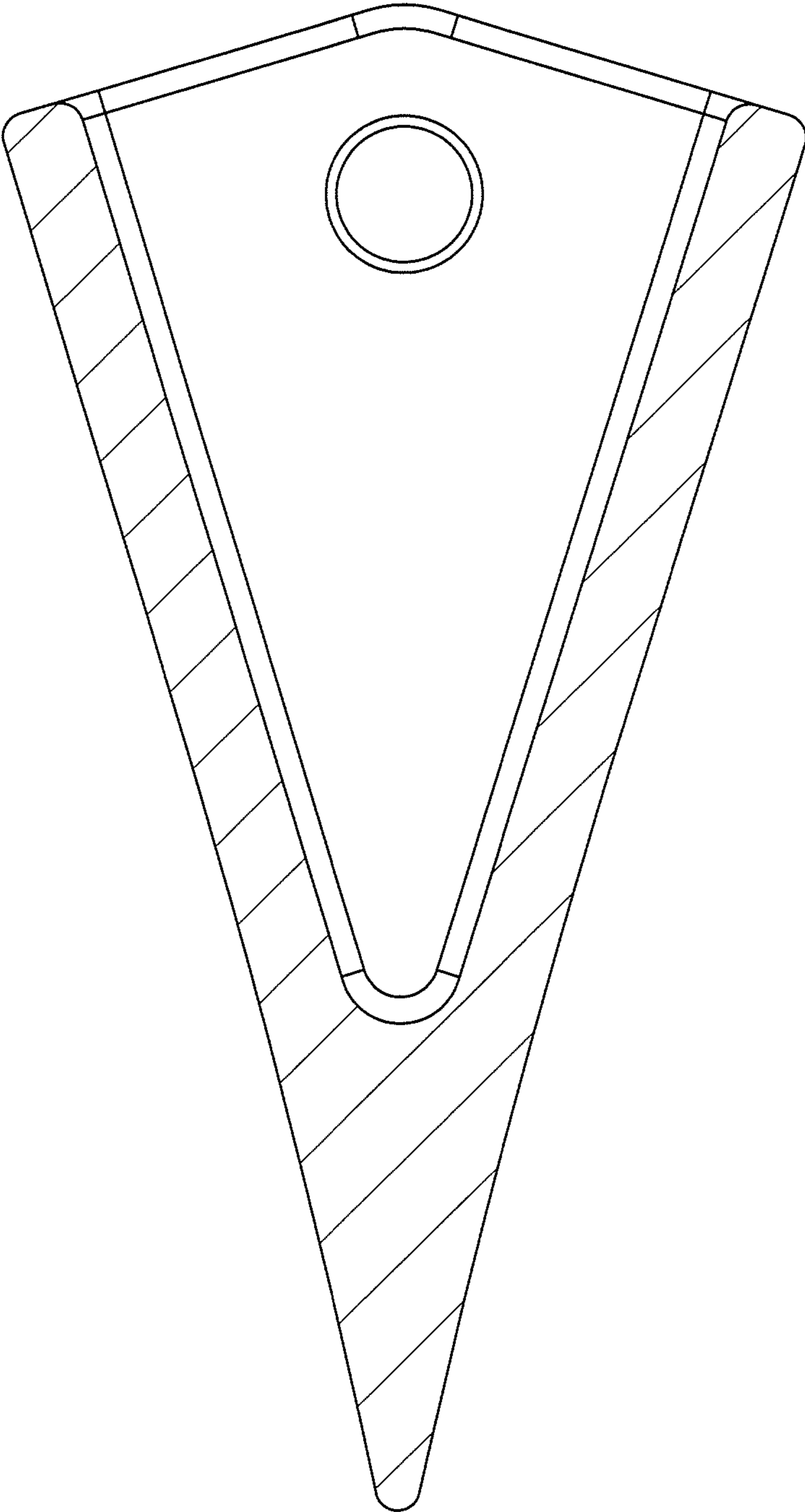


FIG.12

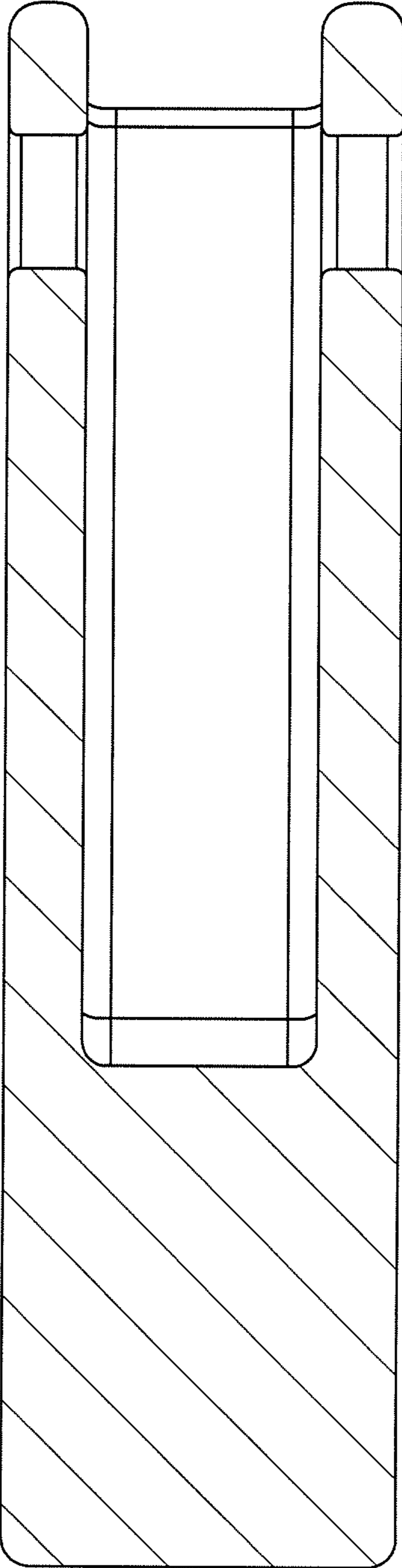


FIG.13

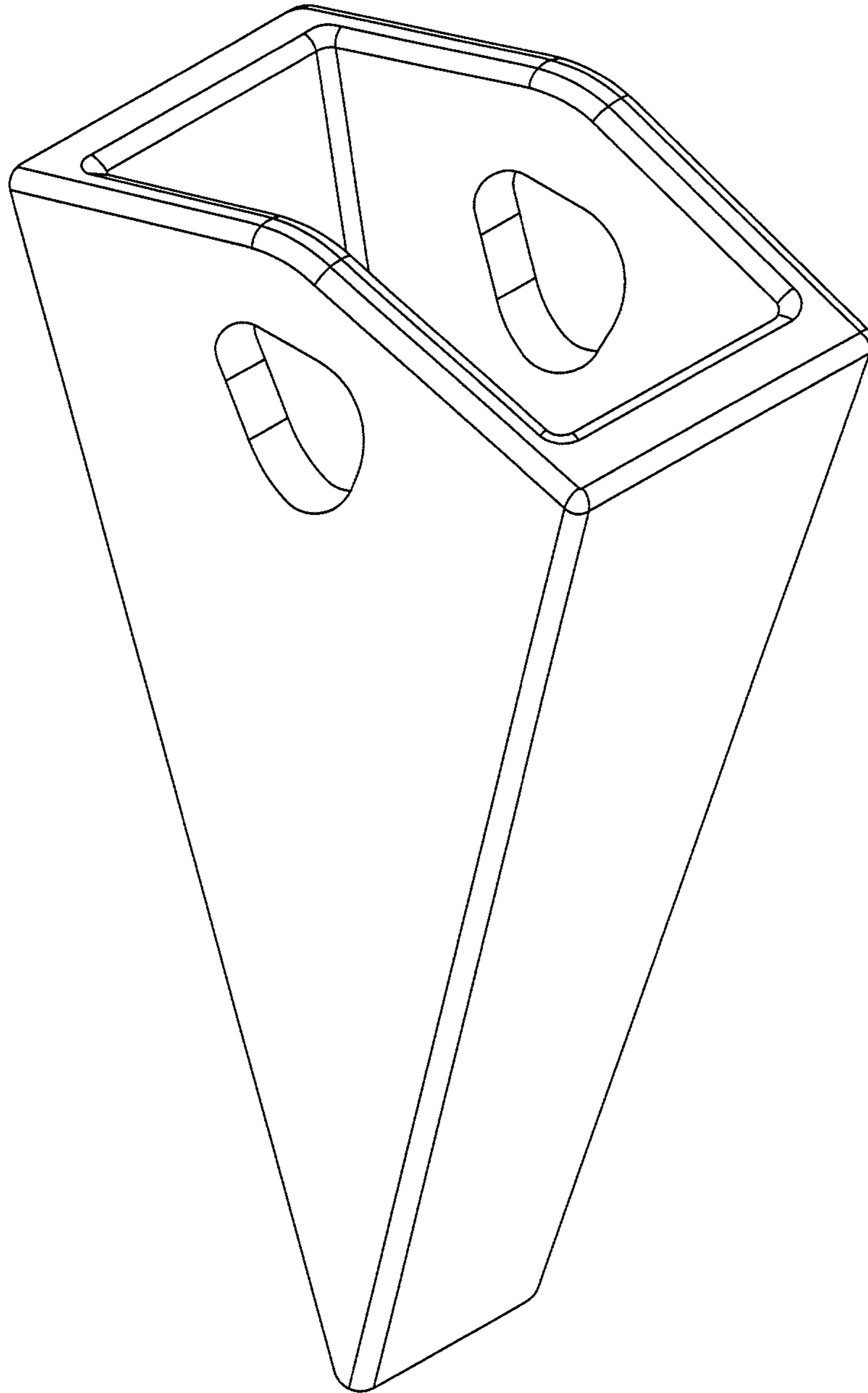


FIG.14

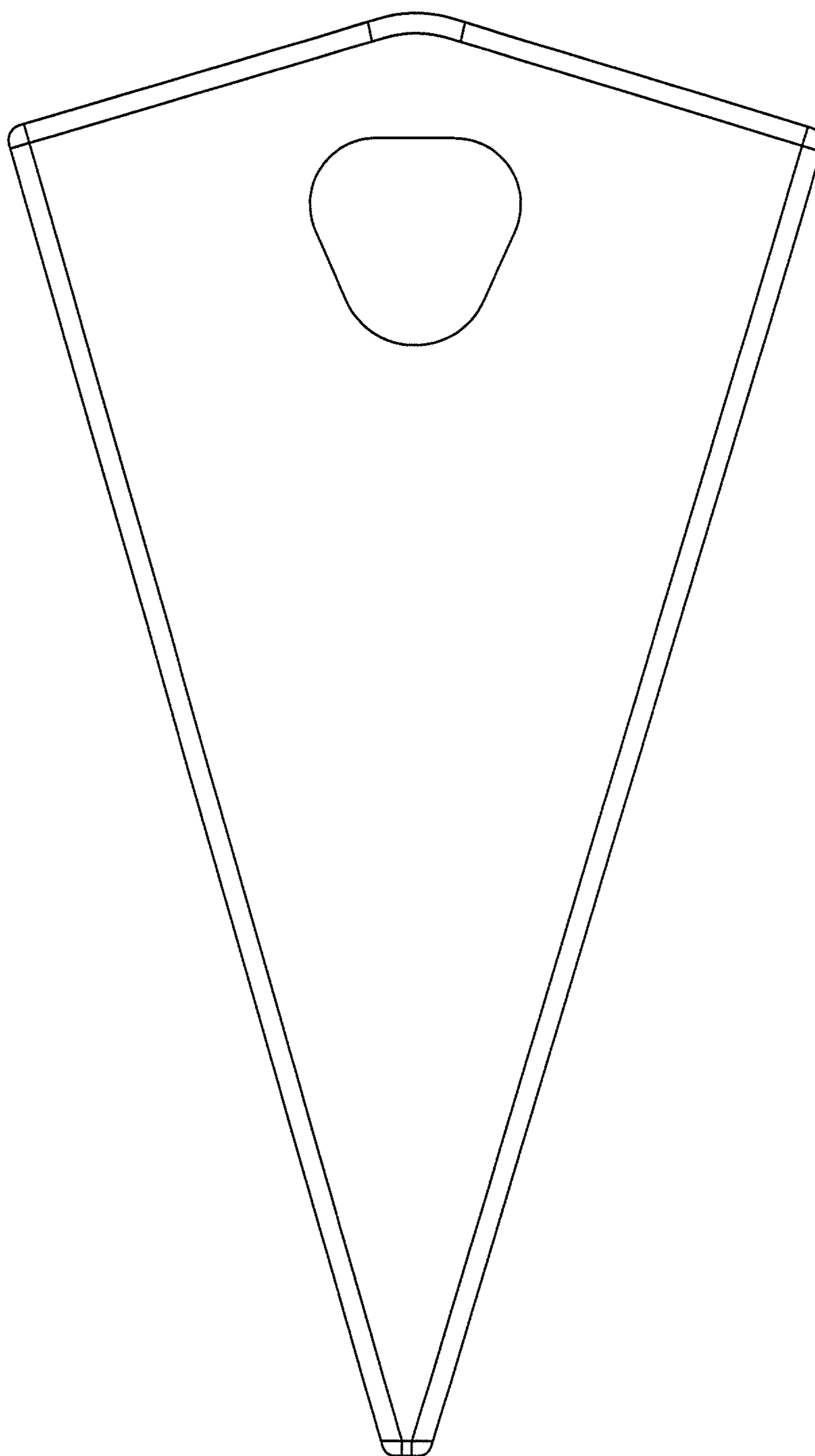


FIG.15

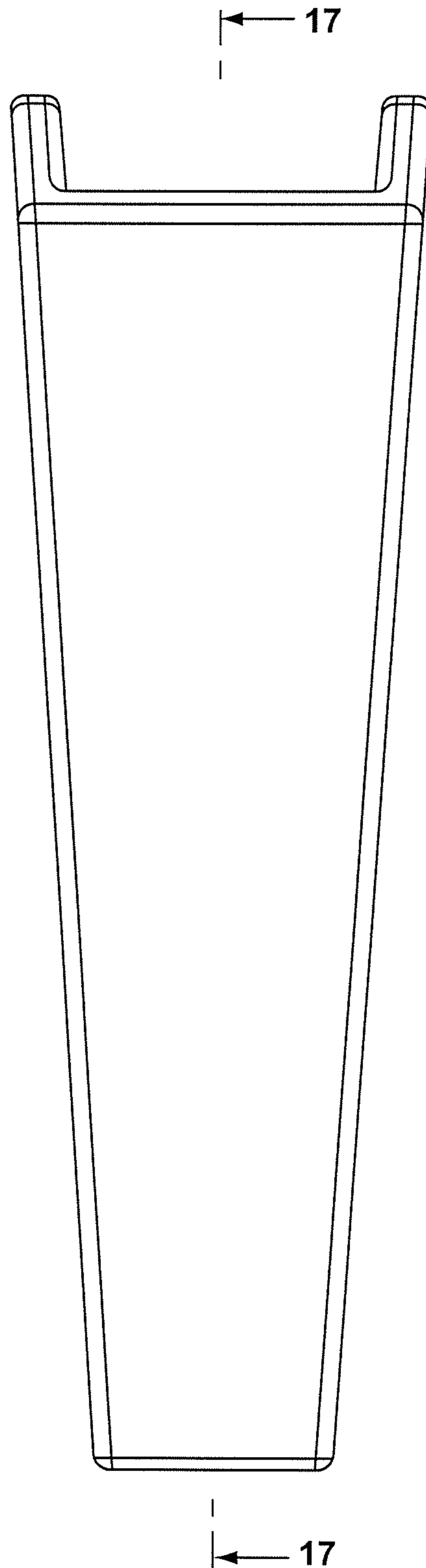


FIG. 16

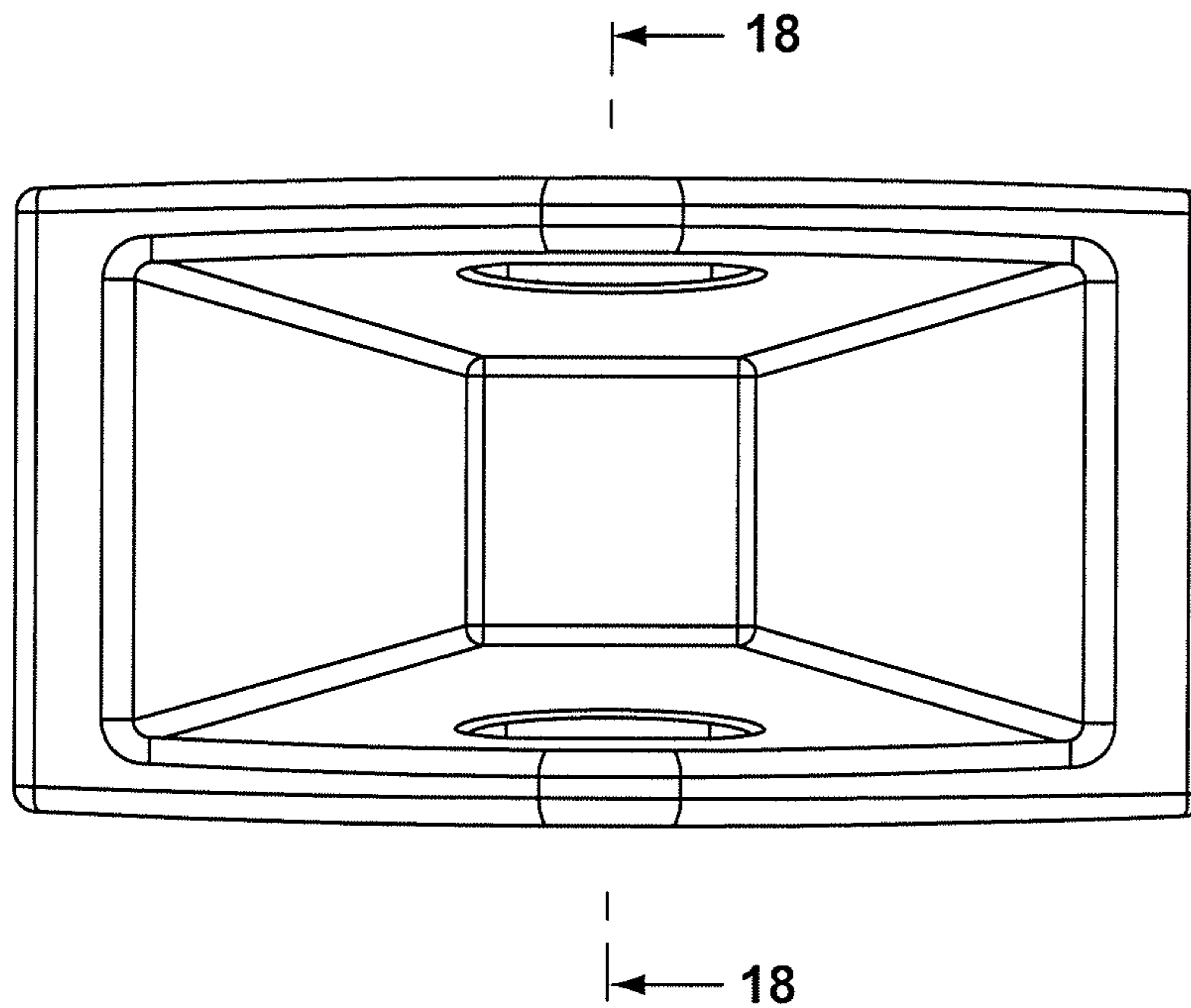


FIG.17

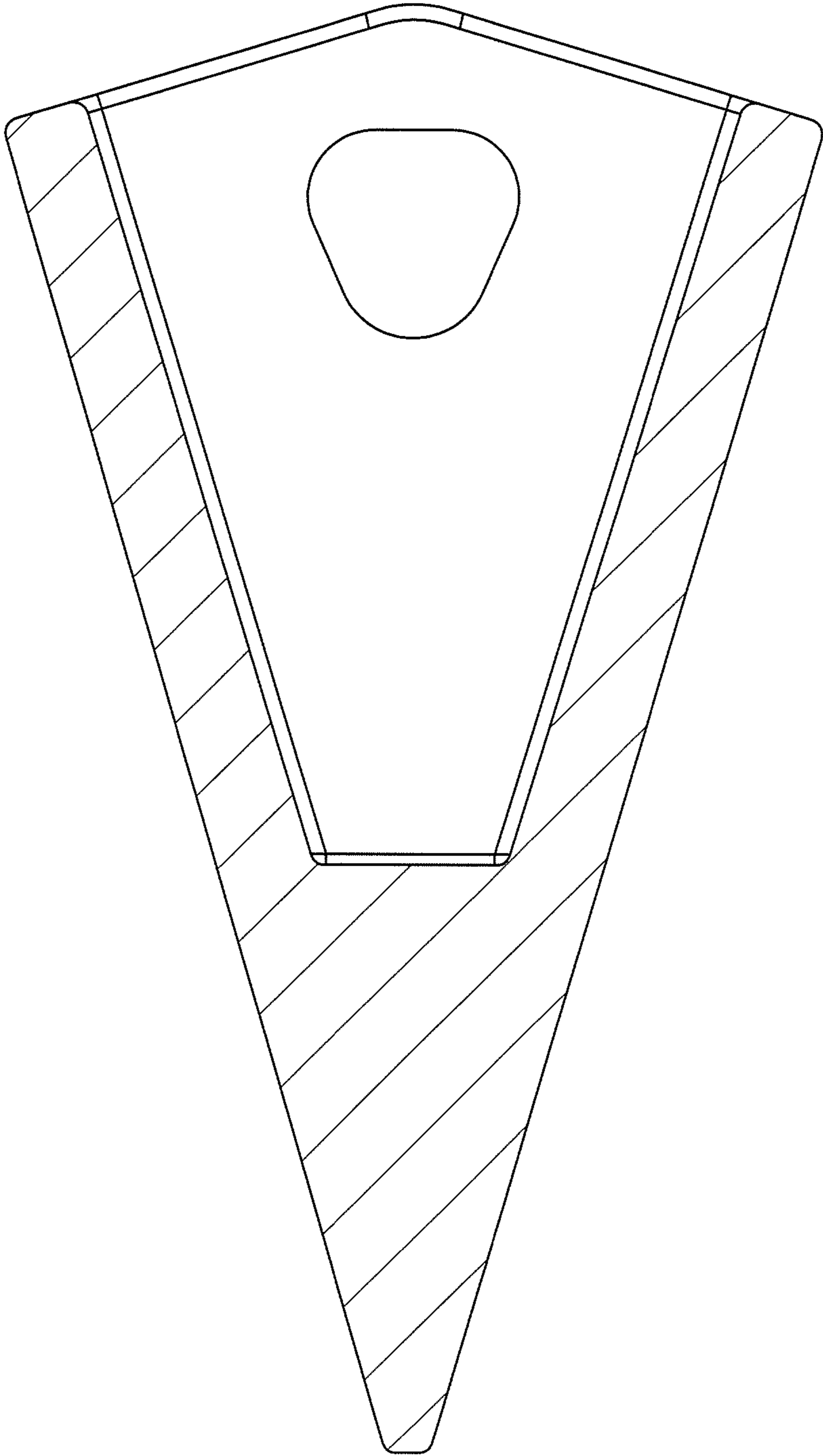


FIG.18

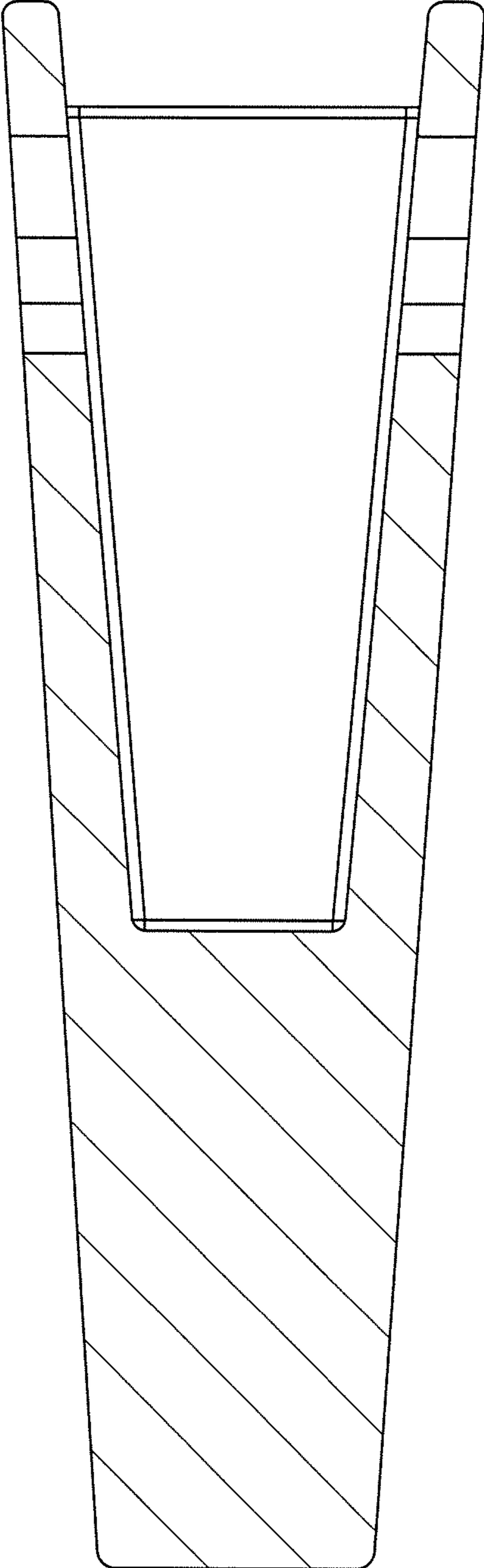


FIG.19

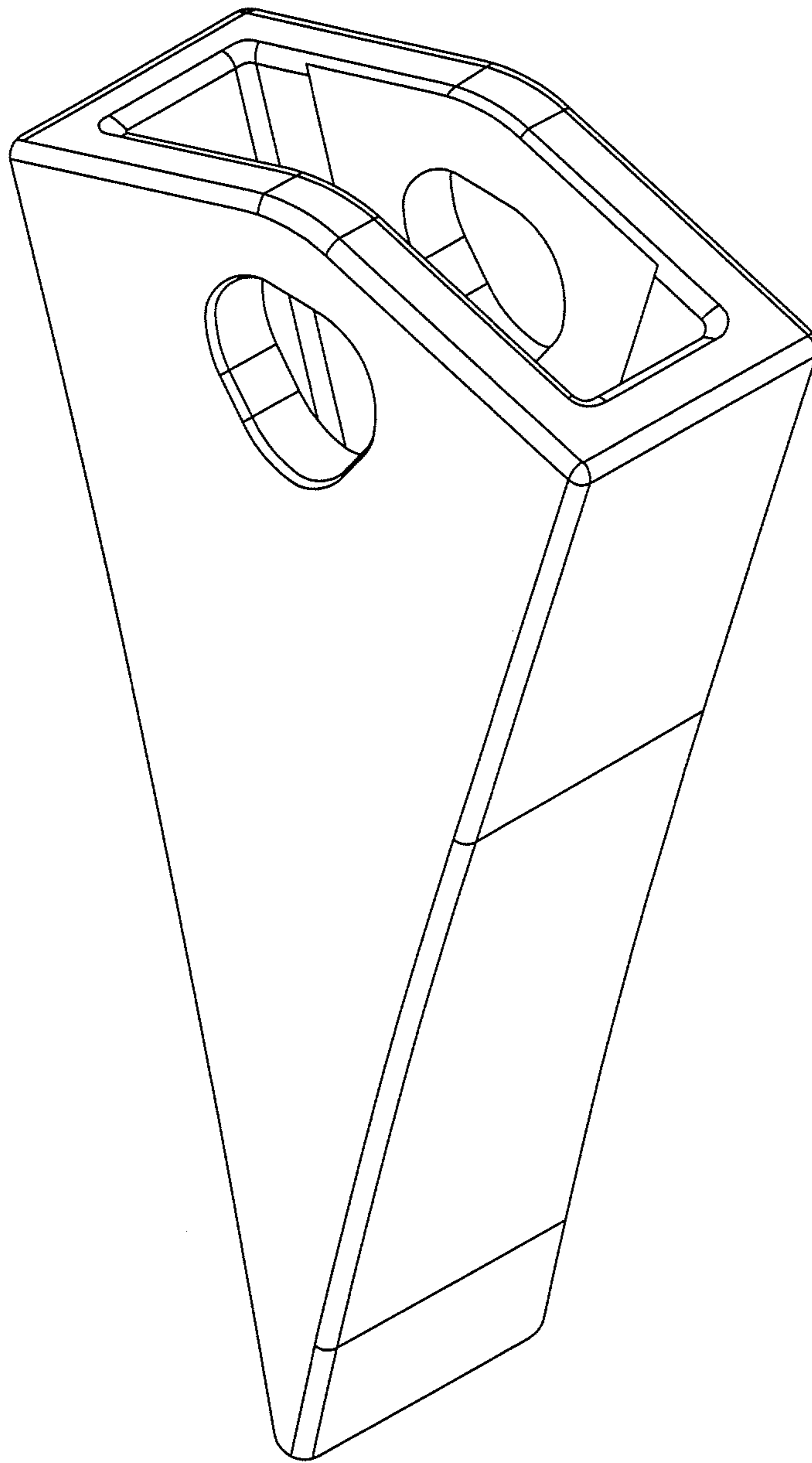


FIG.20

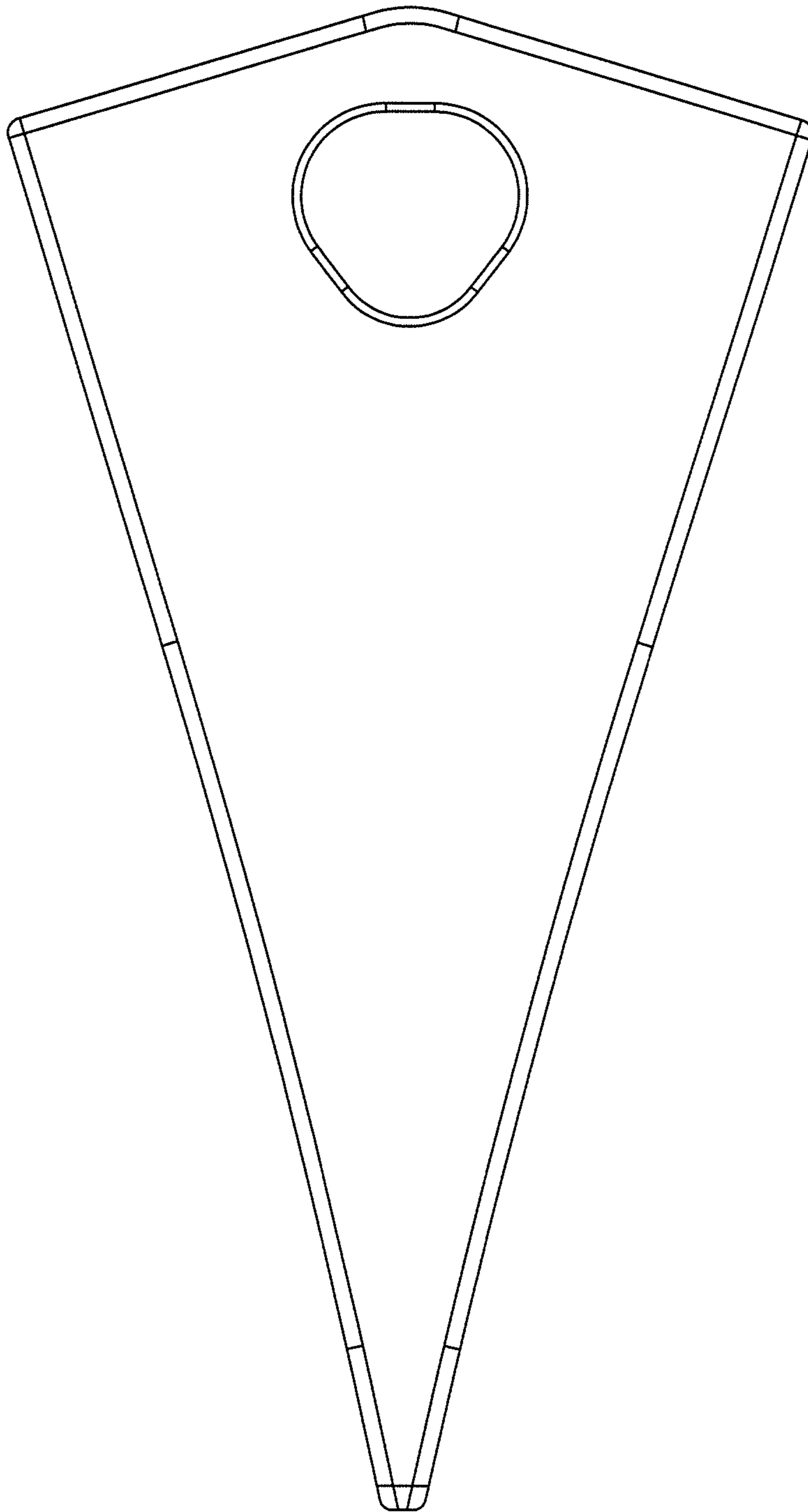


FIG.21

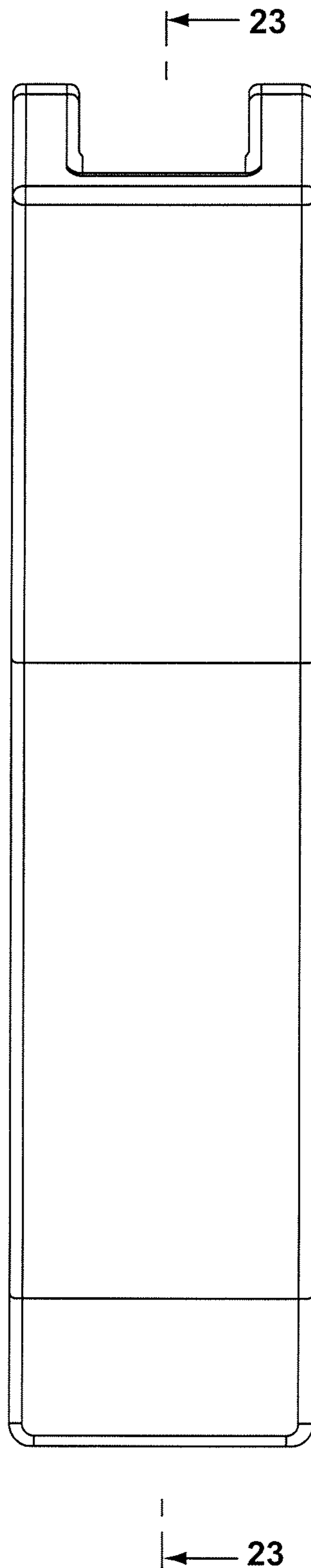


FIG.22

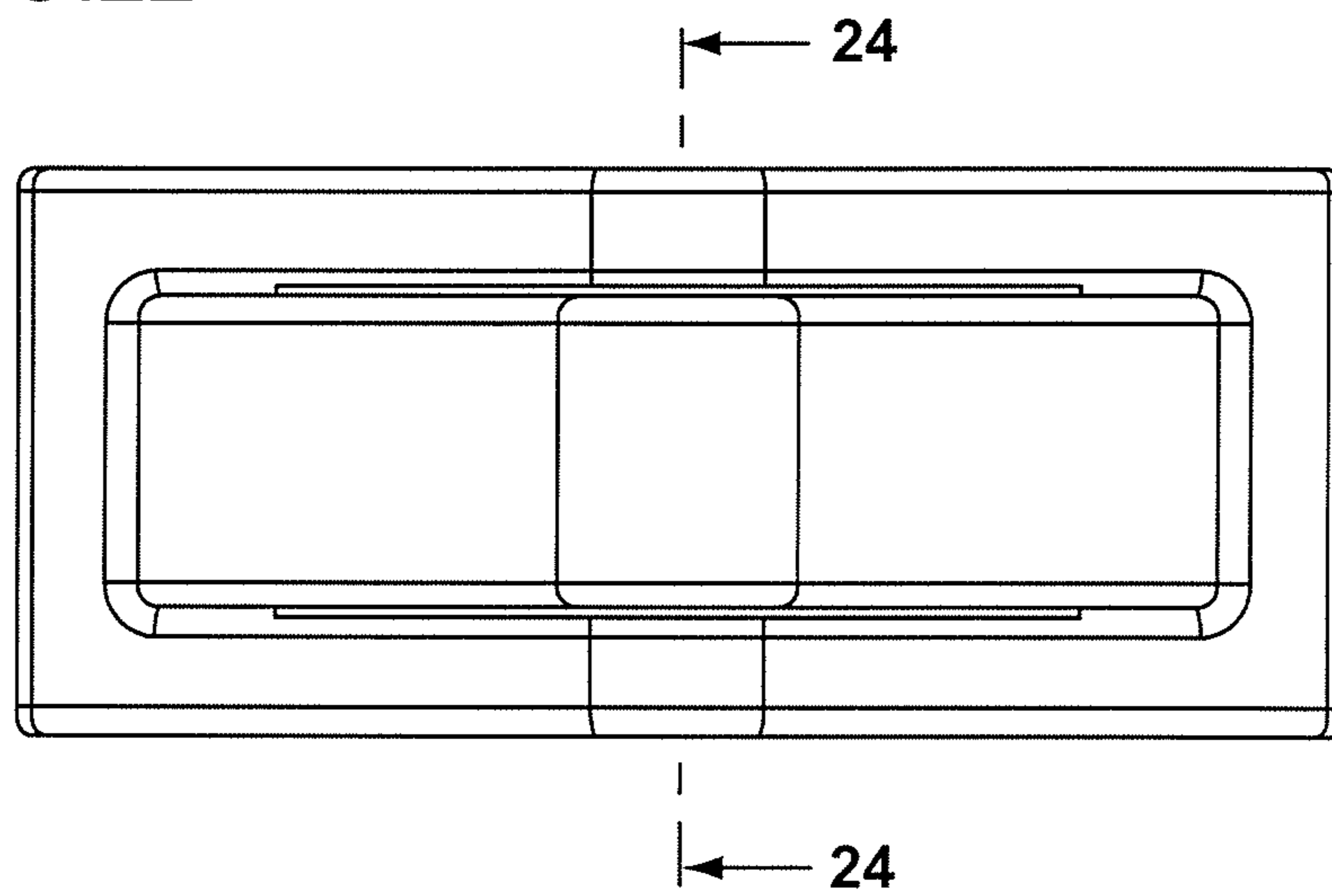


FIG.23

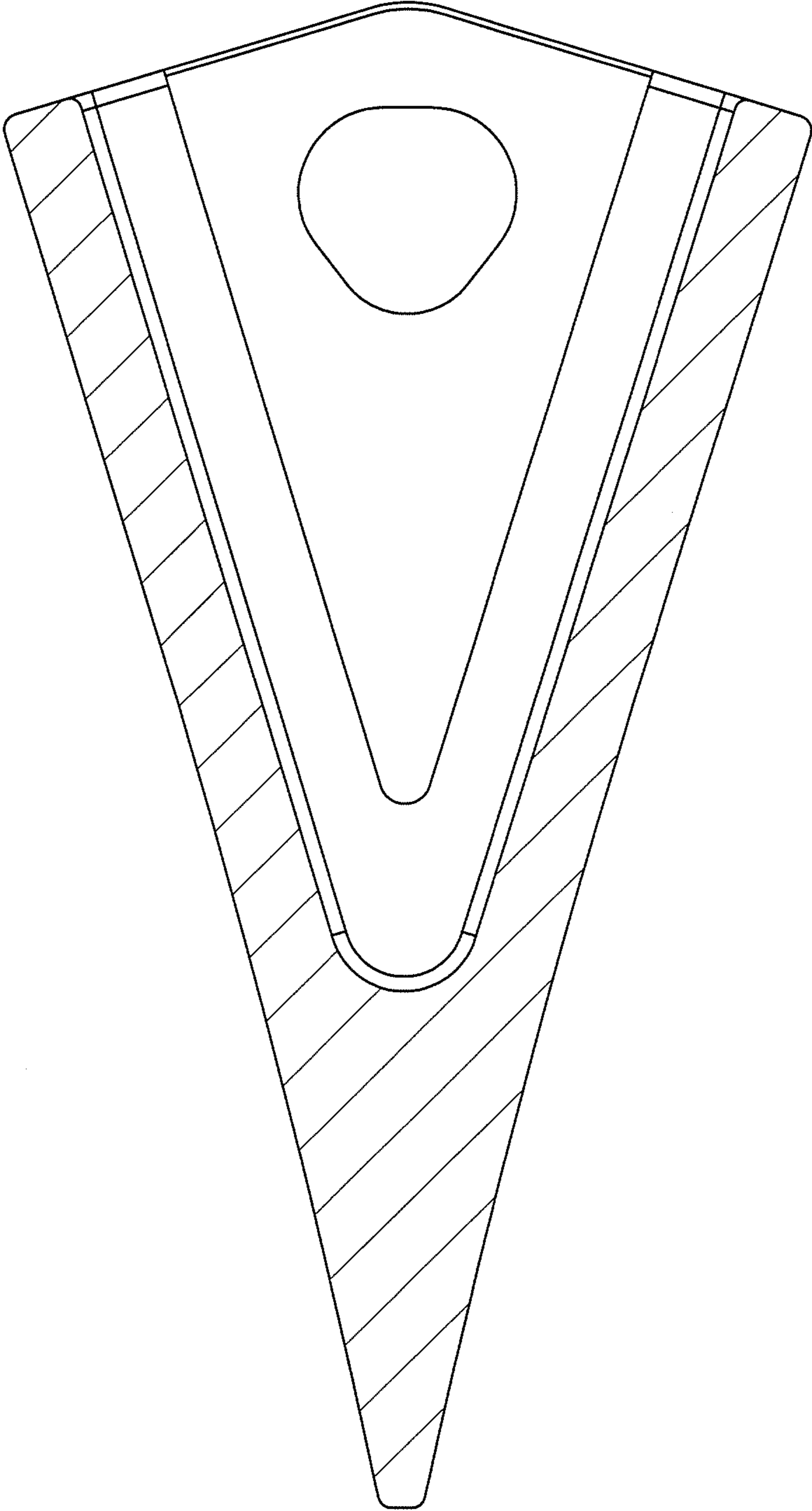


FIG.24

