



US00D735771S

(12) **United States Design Patent**  
**Imashige et al.**

(10) **Patent No.:** **US D735,771 S**

(45) **Date of Patent:** **\*\* Aug. 4, 2015**

(54) **TRAVELLING BODY FOR CONSTRUCTION MACHINE**

(56) **References Cited**

U.S. PATENT DOCUMENTS

(71) Applicant: **KOBELCO CONSTRUCTION MACHINERY CO., LTD.**,  
Hiroshima-shi, Hiroshima (JP)

(72) Inventors: **Hirokazu Imashige**, Hiroshima (JP); **Shintaro Sakitani**, Hiroshima (JP); **Isao Miyachi**, Hiroshima (JP); **Hiroshi Kanamaru**, Hiroshima (JP); **Kaoru Adachi**, Hiroshima (JP)

(73) Assignee: **Kobelco Construction Machinery Co., Ltd.**, Hiroshima-shi (JP)

|           |    |   |         |                      |       |         |
|-----------|----|---|---------|----------------------|-------|---------|
| D432,144  | S  | * | 10/2000 | Kraft et al.         | ..... | D15/30  |
| D440,235  | S  | * | 4/2001  | Kuwae et al.         | ..... | D15/25  |
| D450,067  | S  | * | 11/2001 | Murakami et al.      | ..... | D15/25  |
| D450,331  | S  | * | 11/2001 | Murakami et al.      | ..... | D15/25  |
| D481,044  | S  | * | 10/2003 | Tokach et al.        | ..... | D15/30  |
| D487,100  | S  | * | 2/2004  | Tokach et al.        | ..... | D15/30  |
| D487,575  | S  | * | 3/2004  | Wetzel et al.        | ..... | D15/33  |
| D508,498  | S  | * | 8/2005  | Shimokakiuchi et al. | ..... | D15/24  |
| D509,514  | S  | * | 9/2005  | Shimokakiuchi et al. | ..... | D15/24  |
| 7,001,135 | B2 | * | 2/2006  | Shimokakiuchi et al. | ..... | 414/687 |
| D575,804  | S  | * | 8/2008  | Murakami et al.      | ..... | D15/28  |
| D576,182  | S  | * | 9/2008  | Murakami et al.      | ..... | D15/28  |
| D582,946  | S  | * | 12/2008 | Ochi et al.          | ..... | D15/28  |
| D587,285  | S  | * | 2/2009  | Murakami et al.      | ..... | D15/28  |
| D590,845  | S  | * | 4/2009  | Ochi et al.          | ..... | D15/22  |
| D591,773  | S  | * | 5/2009  | Ueta et al.          | ..... | D15/22  |

(Continued)

(\*\*) Term: **14 Years**

FOREIGN PATENT DOCUMENTS

(21) Appl. No.: **29/473,956**

|    |         |   |        |
|----|---------|---|--------|
| JP | 1213107 | S | 8/2004 |
| JP | 1465429 | S | 3/2013 |

(22) Filed: **Nov. 27, 2013**

*Primary Examiner* — Cynthia Ramirez

*Assistant Examiner* — Gino Colan

(30) **Foreign Application Priority Data**

|               |      |       |             |
|---------------|------|-------|-------------|
| Jun. 12, 2013 | (JP) | ..... | 2013-013232 |
| Jun. 12, 2013 | (JP) | ..... | 2013-013233 |

(74) *Attorney, Agent, or Firm* — Birch, Stewart, Kolasch & Birch, LLP

(51) **LOC (10) Cl.** ..... **15-09**

(57) **CLAIM**

The ornamental design for a travelling body for construction machine, as shown and described.

(52) **U.S. Cl.**

**DESCRIPTION**

USPC ..... **D15/28**

(58) **Field of Classification Search**

USPC ..... D15/28, 10-27, 29-33; 180/89.1, 180/89.12, 235, 900; 296/193.03, 193.08; 172/611, 776; 414/694, 699, 722-724, 414/680, 660

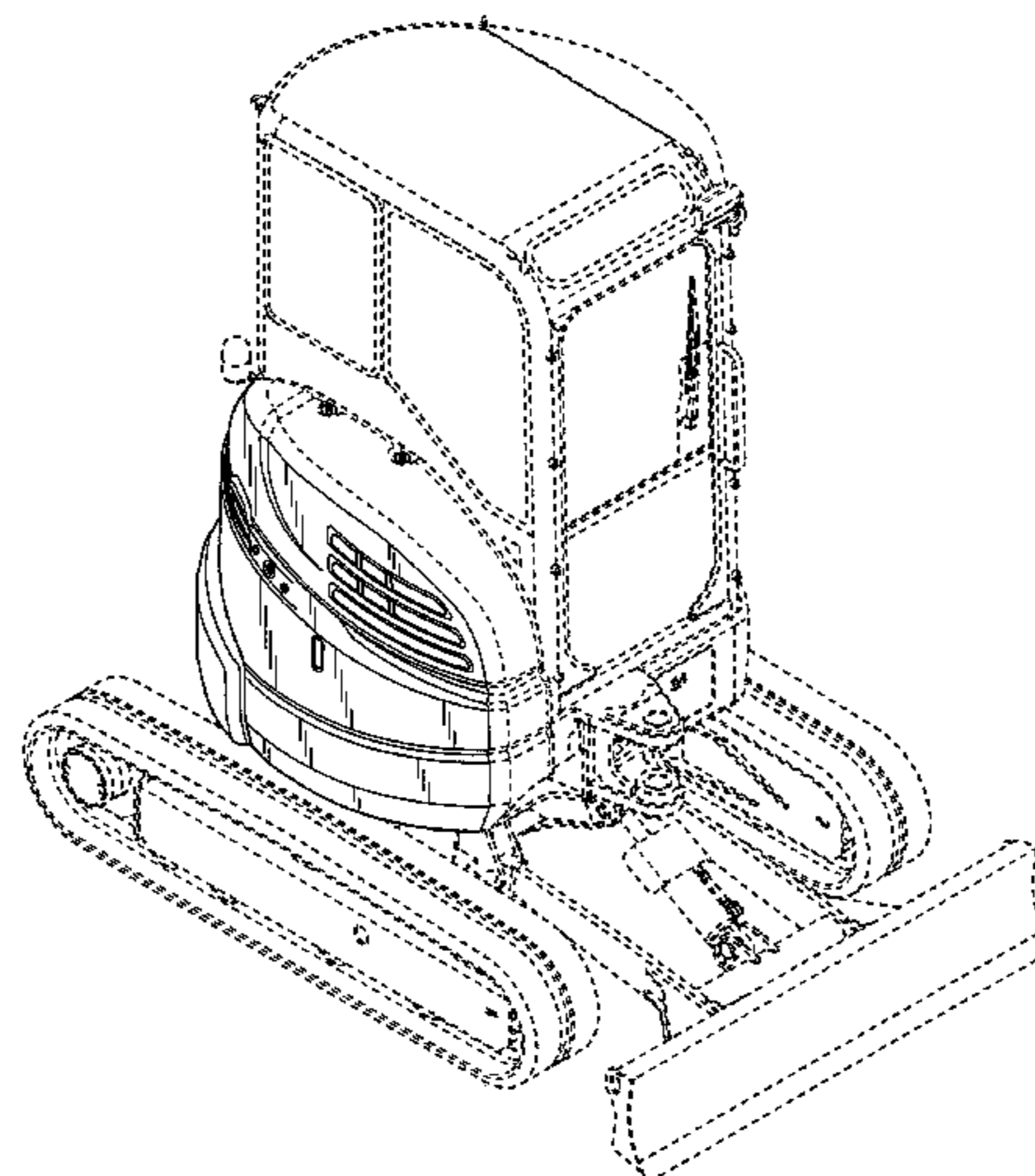
CPC ..... E02D 19/18; E02D 17/13; E02D 5/18; E02F 3/086; E02F 3/144; E02F 3/306; E02F 3/307; B60P 3/40

FIG. 1 is a first perspective view of a travelling body for construction machine showing our new design; FIG. 2 is a second perspective view thereof; FIG. 3 is a front view thereof; FIG. 4 is a rear view thereof; FIG. 5 is a left side view thereof; FIG. 6 is a right side view thereof; and, FIG. 7 is a top view thereof.

The portion shown by broken lines is for illustrative purposes only and forms no part of the claimed design.

See application file for complete search history.

**1 Claim, 7 Drawing Sheets**



(56)

**References Cited**

U.S. PATENT DOCUMENTS

D593,137 S \* 5/2009 Ueta et al. .... D15/28  
D594,884 S \* 6/2009 Murakami et al. .... D15/28  
D633,926 S \* 3/2011 Shimada et al. .... D15/25  
7,967,094 B2 \* 6/2011 Matsushita et al. .... 180/69.2  
D681,689 S \* 5/2013 Saito et al. .... D15/24  
D684,598 S \* 6/2013 Hagura et al. .... D15/24

D684,599 S \* 6/2013 Saito et al. .... D15/24  
D684,600 S \* 6/2013 Saito et al. .... D15/24  
D687,865 S \* 8/2013 Hatanaka et al. .... D15/24  
D695,791 S \* 12/2013 Hagura et al. .... D15/25  
8,733,824 B2 \* 5/2014 Kanamaru .... 296/191  
D707,261 S \* 6/2014 Caboret et al. .... D15/24  
D716,845 S \* 11/2014 Hayami et al. .... D15/25  
D717,346 S \* 11/2014 Ishii .... D15/28  
2013/0306388 A1 \* 11/2013 Yamamoto et al. .... 180/89.12

\* cited by examiner

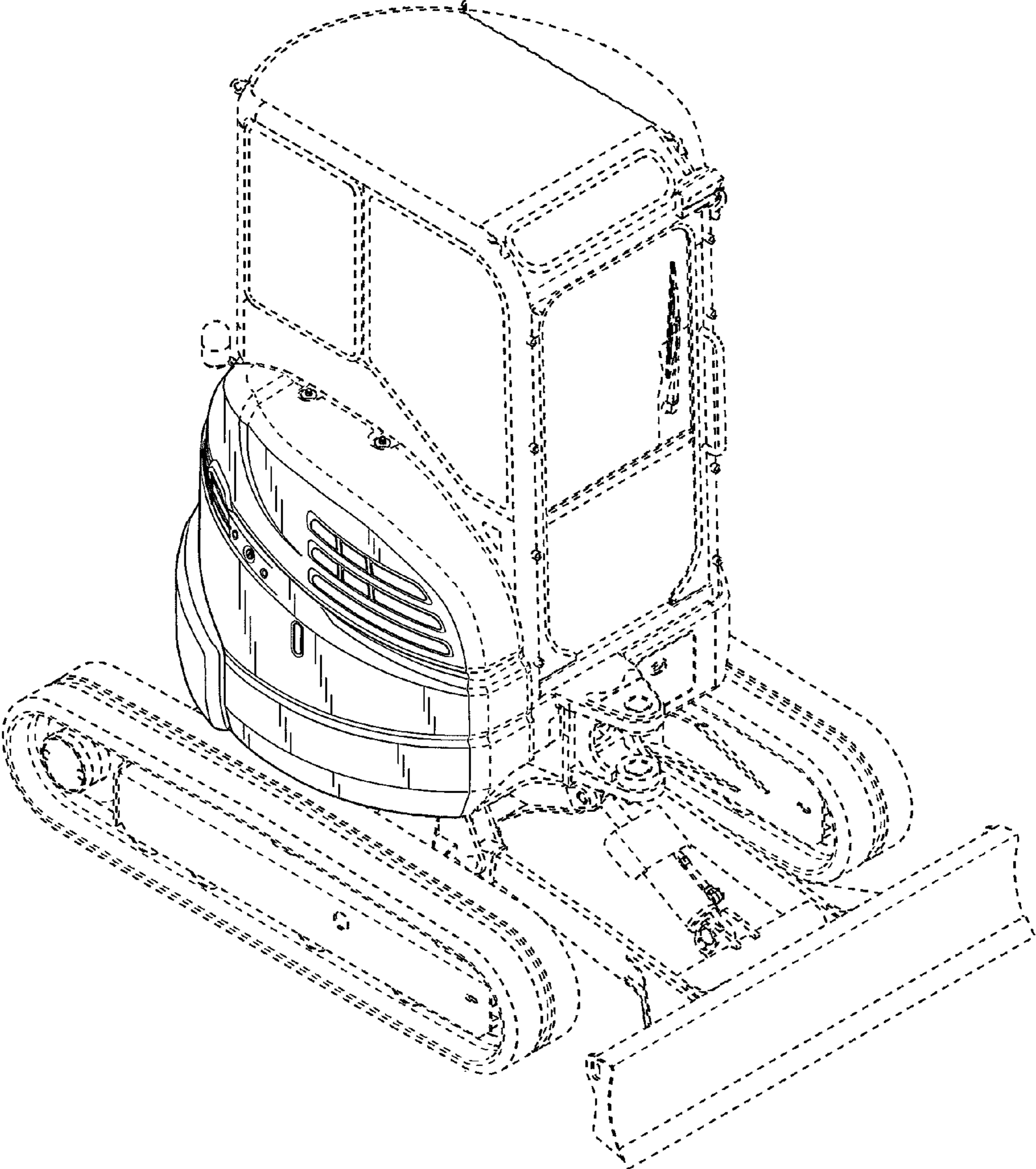


FIG. 1

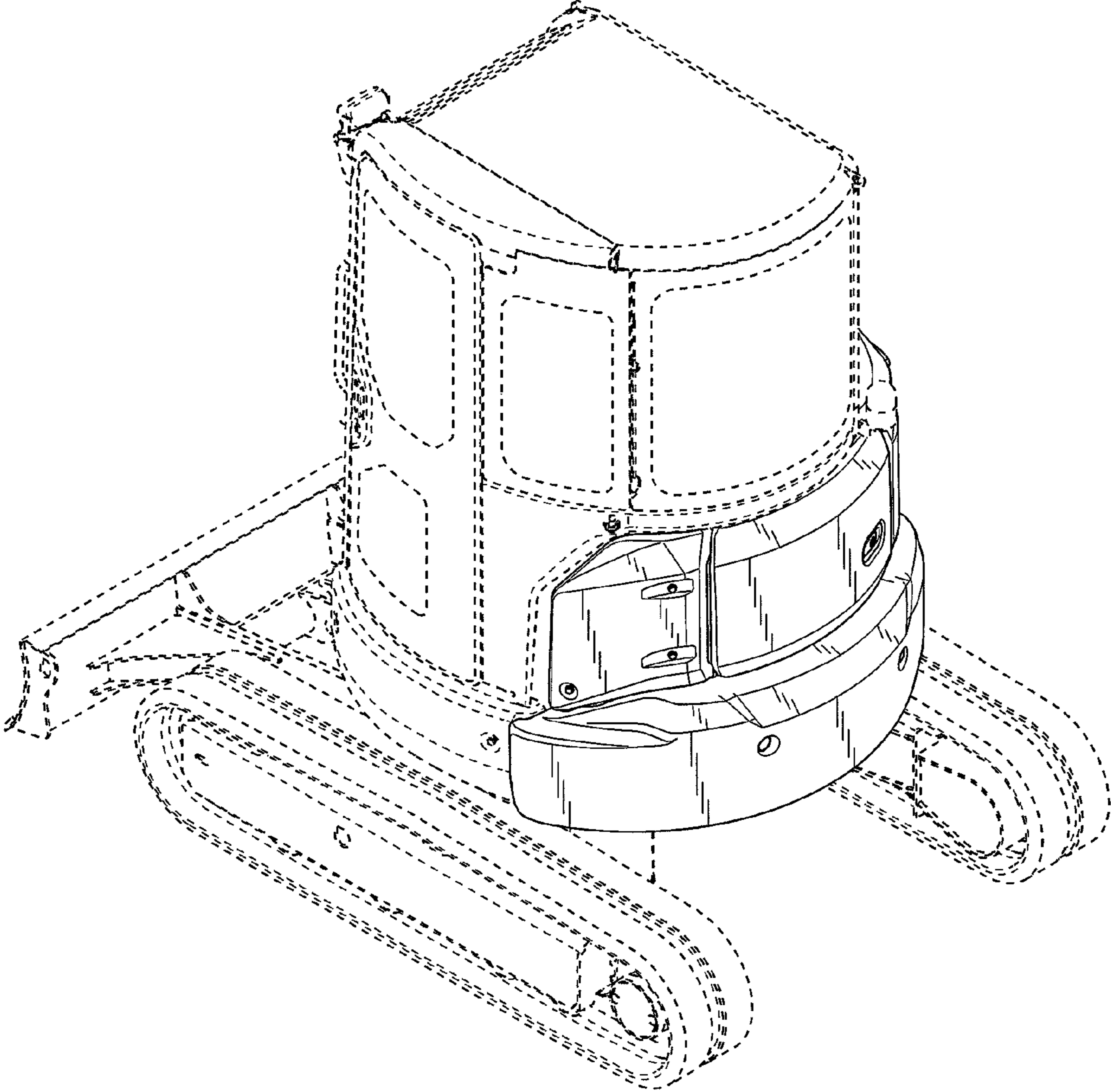


FIG.2

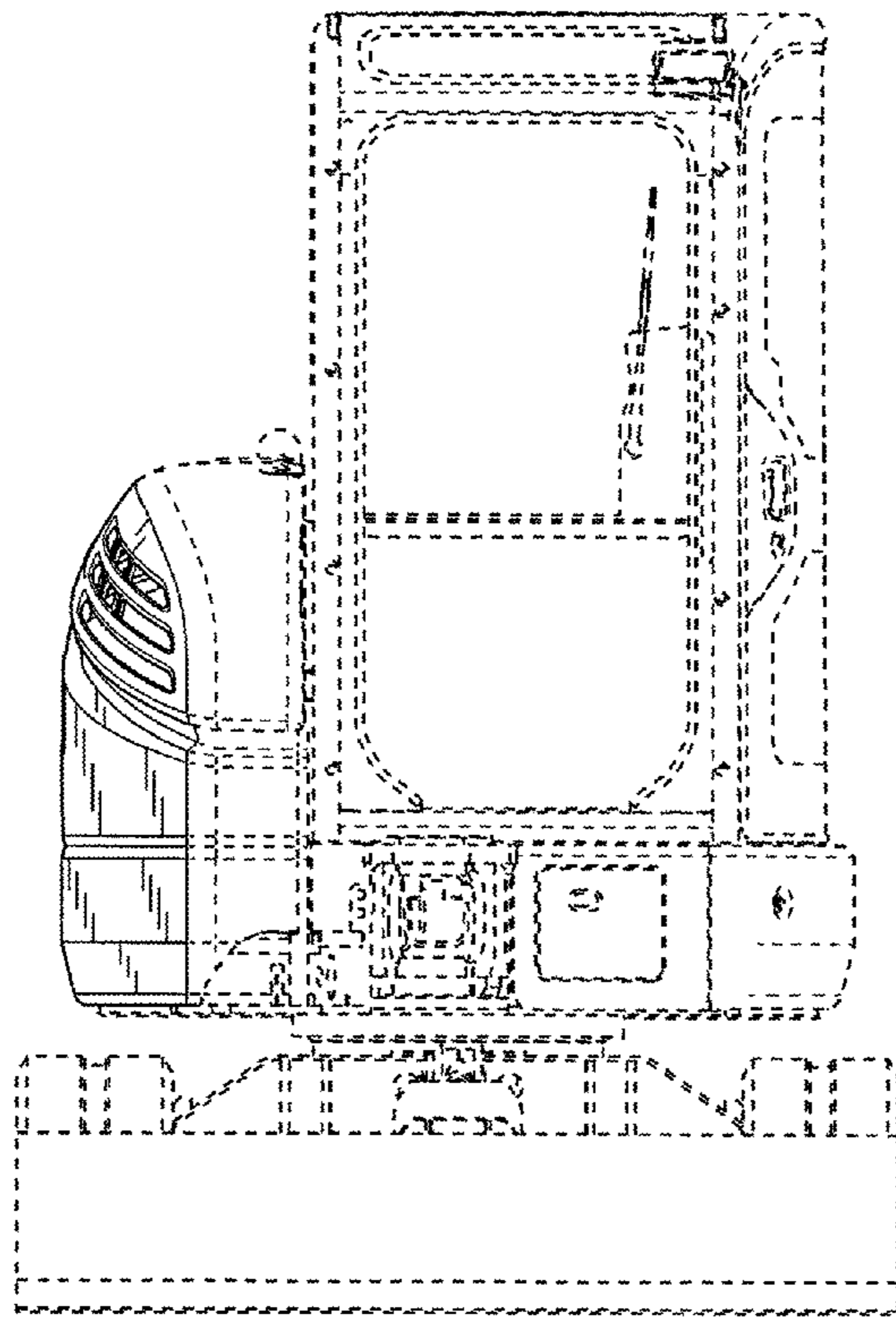


FIG.3

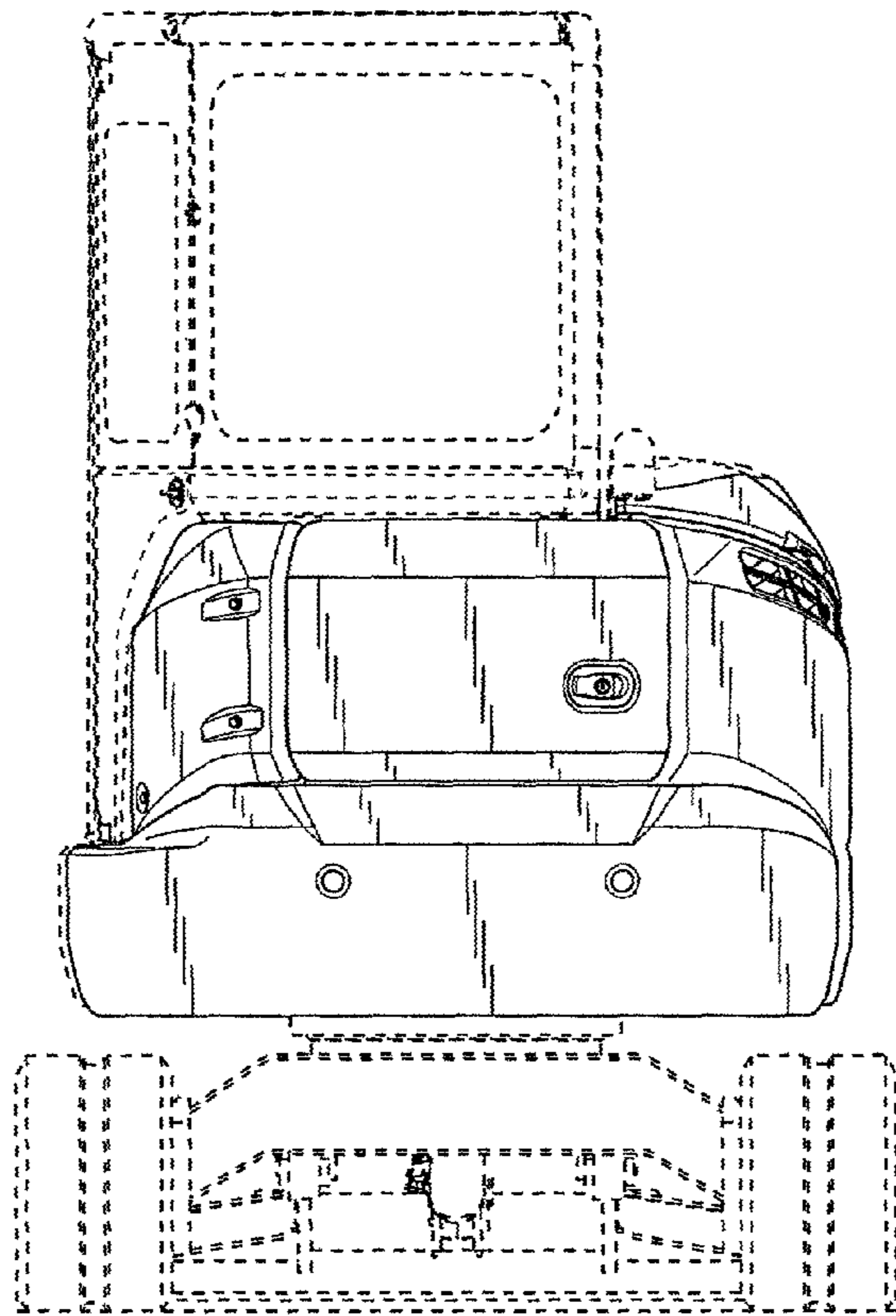


FIG.4

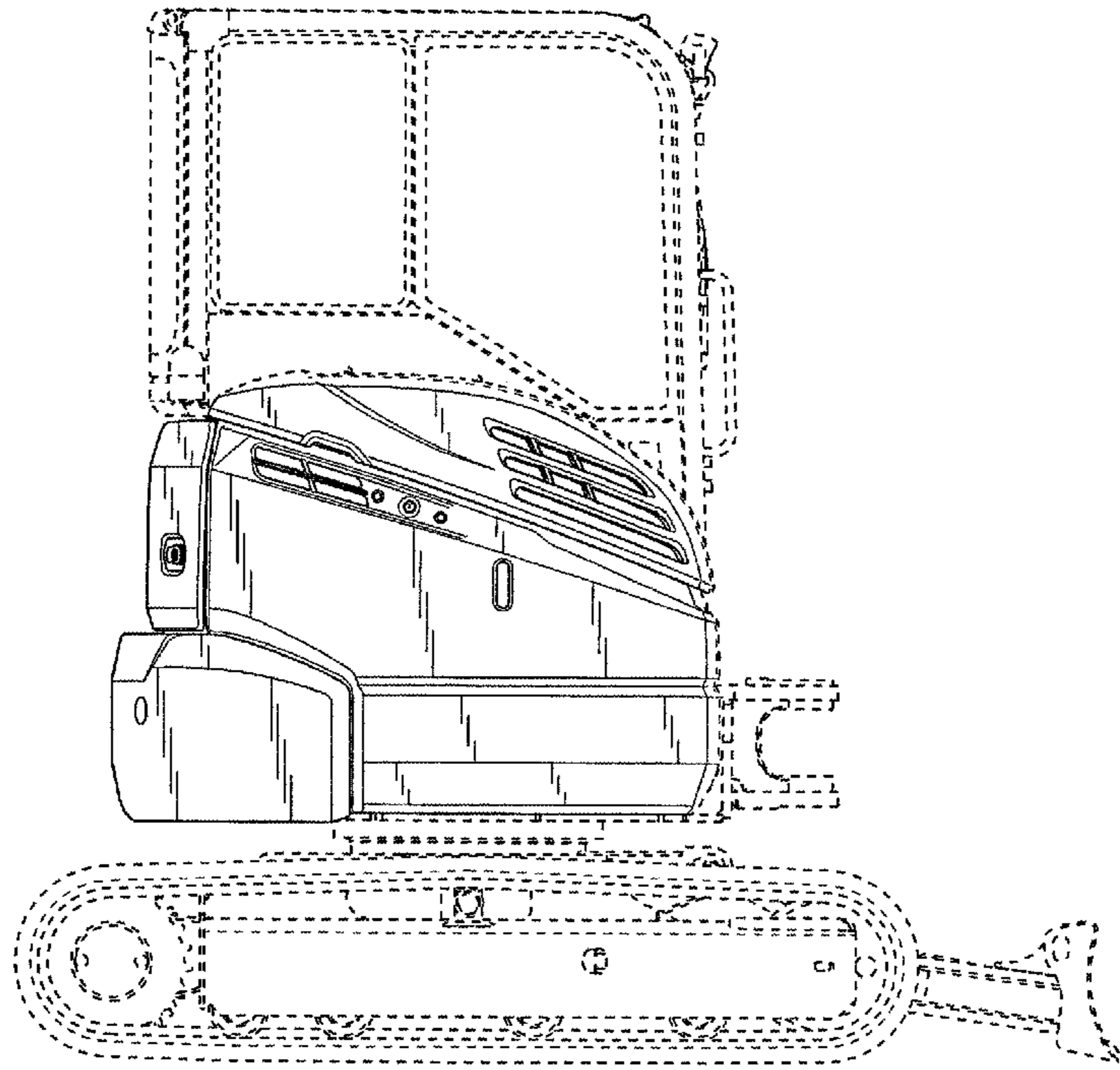


FIG.5

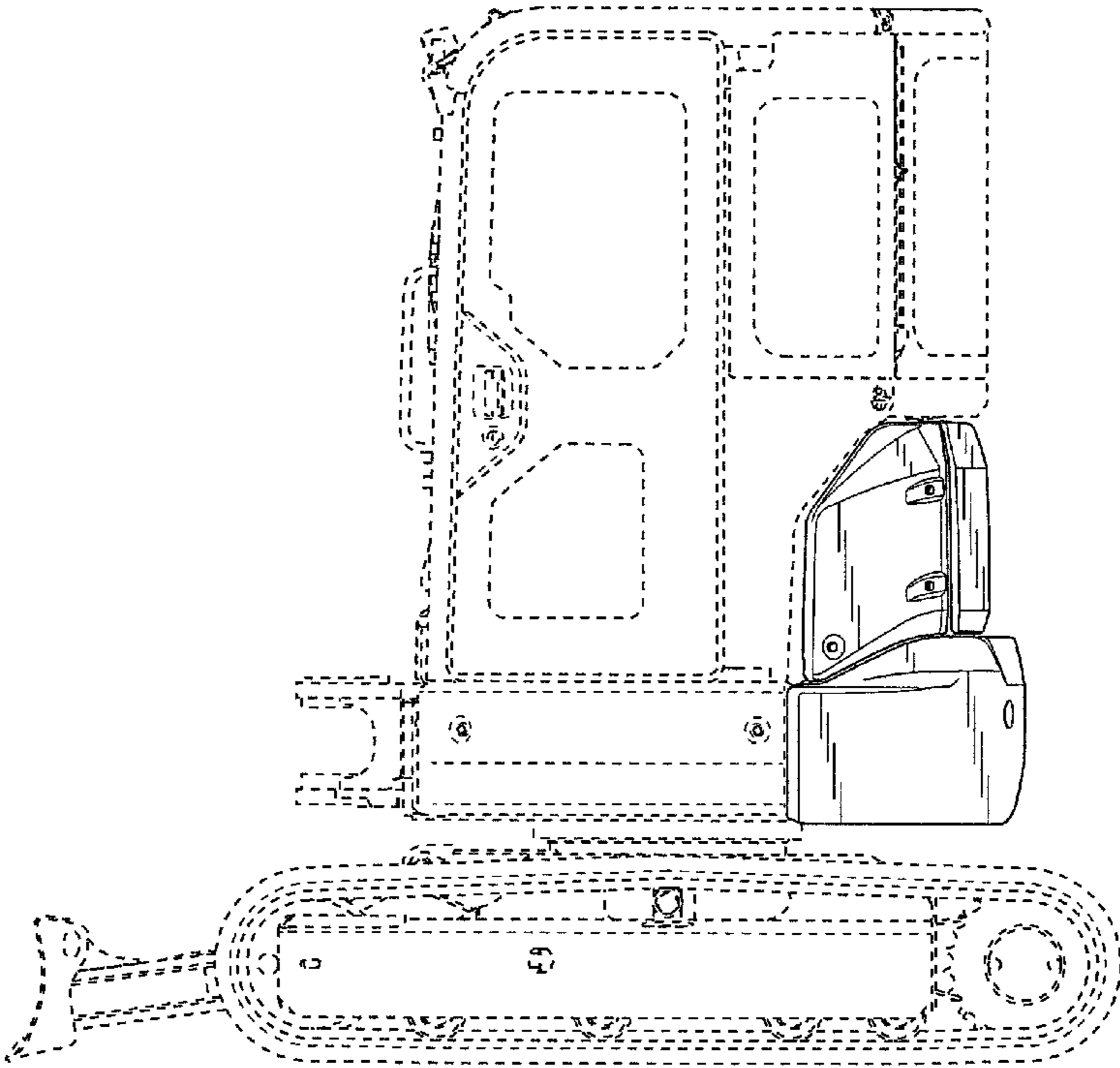


FIG.6



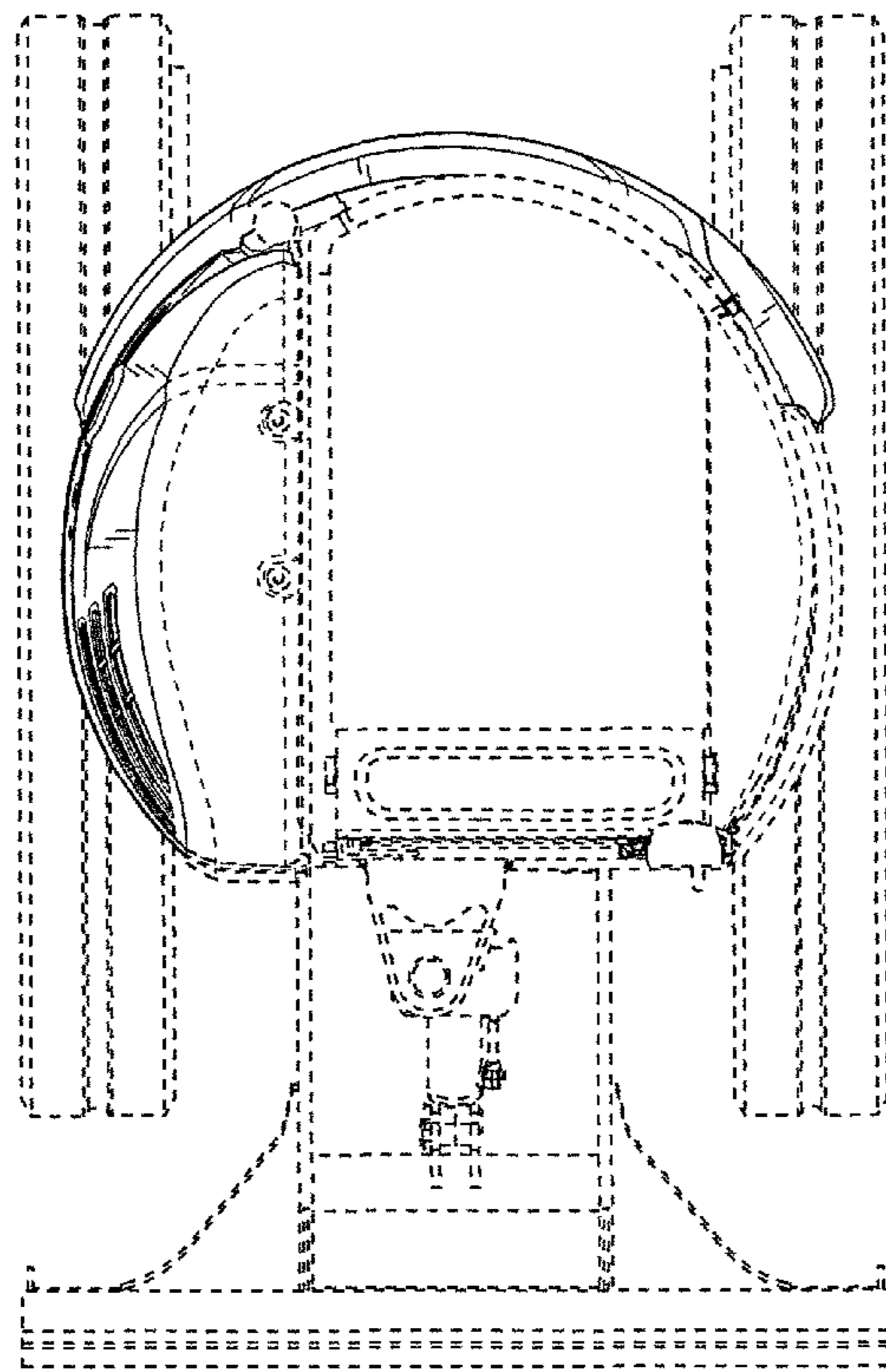


FIG.7