



US00D735770S

(12) **United States Design Patent**
Schaffert

(10) **Patent No.:** **US D735,770 S**

(45) **Date of Patent:** **** Aug. 4, 2015**

(54) **BRACKET**

889,947 A 6/1908 Miller
909,137 A 1/1909 Bellerive
1,104,602 A 7/1914 Akers

(71) Applicant: **SCHAFFERT MANUFACTURING COMPANY, INC.**, Indianola, NE (US)

(Continued)

(72) Inventor: **Paul E. Schaffert**, Indianola, NE (US)

FOREIGN PATENT DOCUMENTS

(73) Assignee: **SCHAFFERT MANUFACTURING COMPANY, INC.**, Indianola, NE (US)

DE 3114771 10/1982
DE 3321490 12/1984
DE 3441610 5/1986

(**) Term: **14 Years**

OTHER PUBLICATIONS

(21) Appl. No.: **29/444,134**

Author Unknown, "1200 Series Advanced Seed Meter Planters", Catalog of Case IH, a brand of CNH America LLC, 2005, 1-35.

(22) Filed: **Jan. 25, 2013**

(Continued)

(51) **LOC (10) Cl.** **08-05**

(52) **U.S. Cl.**
USPC **D15/28; D8/354**

Primary Examiner — Holly Baynham

(74) *Attorney, Agent, or Firm* — Dorsey & Whitney LLP

(58) **Field of Classification Search**
USPC D15/28-29, 138; D8/349, 354
CPC A47F 5/00; A47G 29/00; A47G 29/08;
A47B 97/00; A01C 5/00; A01L 7/20

(57) **CLAIM**

The ornamental design for a bracket, as shown and described.

See application file for complete search history.

DESCRIPTION

(56) **References Cited**

U.S. PATENT DOCUMENTS

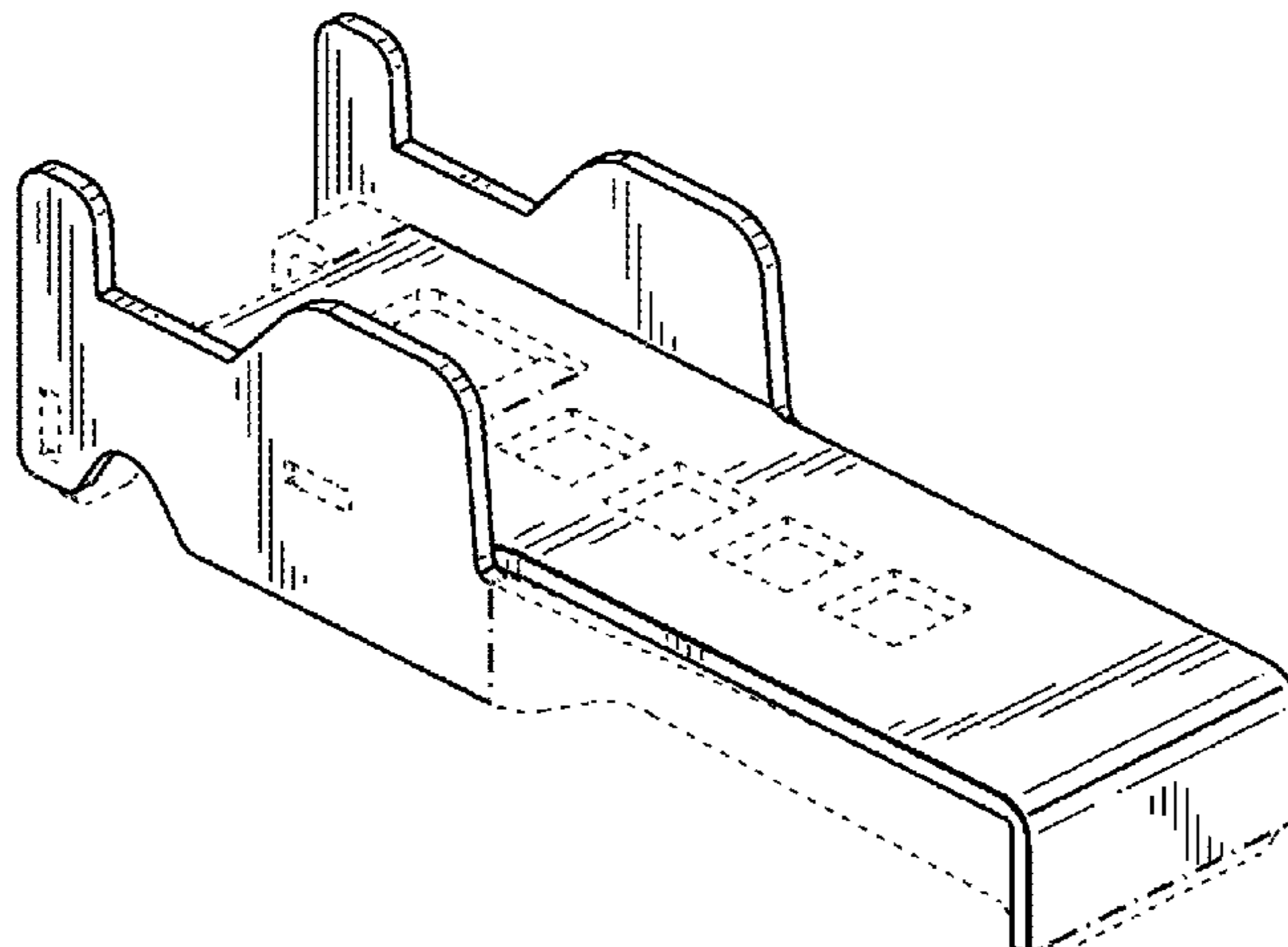
13,683 A 10/1855 McCormick
35,510 A 6/1862 De Haven
122,299 A 12/1871 Wight et al.
176,708 A 4/1876 Templin
183,947 A 10/1876 Lewis
203,207 A 4/1878 Springer
211,601 A 1/1879 Springer
221,004 A 10/1879 Strayer
252,265 A 1/1882 Scofield
288,661 A 11/1883 Purdy et al.
308,327 A 11/1884 Runstetler
322,841 A 7/1885 Miskimen
410,438 A 9/1889 Patric et al.
555,897 A 3/1896 Crane
789,798 A 5/1905 Deterding

FIG. 1 shows a front perspective view of a bracket; FIG. 2 shows a front elevation view of the bracket of FIG. 1; FIG. 3 shows a right elevation view of the bracket of FIG. 1; FIG. 4 shows a left elevation view of the bracket of FIG. 1; FIG. 5 shows a top view of the bracket of FIG. 1; and, FIG. 6 shows a bottom view of the bracket of FIG. 1.

The rear elevation view of the bracket is symmetrical to the front elevation view of the bracket.

The dot-dashed broken lines represent the boundaries of the claimed design. The evenly spaced broken lines showing portions of the bracket are for the purposes of illustrating environment. Both broken line types form no part of the claimed design.

1 Claim, 4 Drawing Sheets



(56)

References Cited

U.S. PATENT DOCUMENTS

1,473,297 A 11/1923 Knight
 1,691,466 A 11/1928 Burtner
 1,934,490 A 11/1933 Elliott
 2,096,230 A 10/1937 Elliot
 2,533,374 A 12/1950 Hyland
 2,554,205 A 5/1951 Oehler
 2,753,054 A * 7/1956 Becher 211/73
 2,849,969 A 9/1958 Taylor
 2,872,883 A 2/1959 Padrick
 3,182,345 A 5/1965 Smith
 3,336,885 A 8/1967 Lebow
 4,108,089 A 8/1978 van der Lely
 4,148,267 A 4/1979 Bennett et al.
 4,253,412 A 3/1981 Hogenson
 4,276,836 A 7/1981 Pust
 4,373,455 A 2/1983 Friggstad
 4,420,516 A 12/1983 Ermert et al.
 4,445,445 A 5/1984 Sterrett
 4,446,801 A 5/1984 Machnee et al.
 4,542,705 A 9/1985 Orth
 4,565,141 A 1/1986 Kopecky
 4,580,507 A 4/1986 Dreyer et al.
 D285,205 S 8/1986 Johnson
 4,607,581 A 8/1986 Kopecky
 4,628,841 A 12/1986 Powilleit
 4,671,193 A 6/1987 States
 4,674,419 A 6/1987 Kopecky
 4,779,674 A 10/1988 McNulty
 4,911,090 A 3/1990 Schimke
 5,092,255 A 3/1992 Long et al.
 5,375,542 A 12/1994 Schaffert
 5,425,318 A 6/1995 Keeton
 D376,751 S * 12/1996 Hanson et al. D8/354
 5,640,915 A 6/1997 Schaffert
 5,673,638 A 10/1997 Keeton
 5,730,074 A 3/1998 Peter
 5,852,982 A 12/1998 Peter
 5,918,557 A 7/1999 Schaffert
 5,996,514 A 12/1999 Arriola et al.
 D422,483 S * 4/2000 Shea D8/354
 6,067,917 A 5/2000 Nimberger et al.
 D426,453 S * 6/2000 Stearns et al. D8/354

6,082,274 A 7/2000 Peter
 6,082,275 A 7/2000 Schaffert
 6,119,608 A 9/2000 Peterson et al.
 D436,310 S * 1/2001 Arnold D8/354
 6,209,466 B1 4/2001 Wodrich
 6,220,191 B1 4/2001 Peter
 6,283,050 B1 9/2001 Schaffert
 D456,821 S * 5/2002 Ege et al. D15/28
 6,397,767 B1 6/2002 Dietrich, Sr.
 D463,251 S * 9/2002 Shea D8/354
 6,453,832 B1 9/2002 Schaffert
 6,530,334 B2 3/2003 Hagny
 6,763,773 B2 7/2004 Schaffert
 7,121,216 B2 10/2006 Schaffert
 D557,116 S * 12/2007 Zakowski et al. D8/354
 D591,776 S * 5/2009 Rasset et al. D15/28
 7,552,689 B2 6/2009 Schaffert
 7,942,102 B2 5/2011 Schaffert
 D661,713 S * 6/2012 Marchesan D15/28
 2003/0051650 A1 3/2003 Engelke et al.
 2007/0113763 A1 5/2007 Schaffert
 2009/0084295 A1 4/2009 Schaffert
 2010/0212558 A1 8/2010 Schaffert

OTHER PUBLICATIONS

Author Unknown, "Cost-Effective Solutions for Real-World Needs", Yetter Profitable Solutions, at least as early as Dec. 21, 2007, 1-29.
 Author Unknown, "Keeton Seed Firmer", found at web-page, <http://precisionplanting.com/html/keeton.html>, at least as early as Dec. 30, 2000, 1 page.
 Author Unknown, "Keeton Seed Firmer", Brochure of J & K Enterprises, 1994, 2 pages.
 Author Unknown, "Keeton Seed Firmer", Precision Planting, at least as early as Apr. 9, 2001, 4 pages.
 Author Unknown, "Seed to Soil Inforcer", Seed Flap, Spring 1995, 1 page.
 Author Unknown, "Tube Alignment Brackets", M & J Cotton Farms, Inc., at least as early as Oct. 30, 1995, 1 page.
 Author Unknown, "We Know It's All About Strong Roots", Yetter Profitable Solutions, at least as early as Dec. 21, 2007, 1-27.
 Finck, Charlene, "Put seed in its place", Farm Journal (Jan. 1995), 3 pages.

* cited by examiner

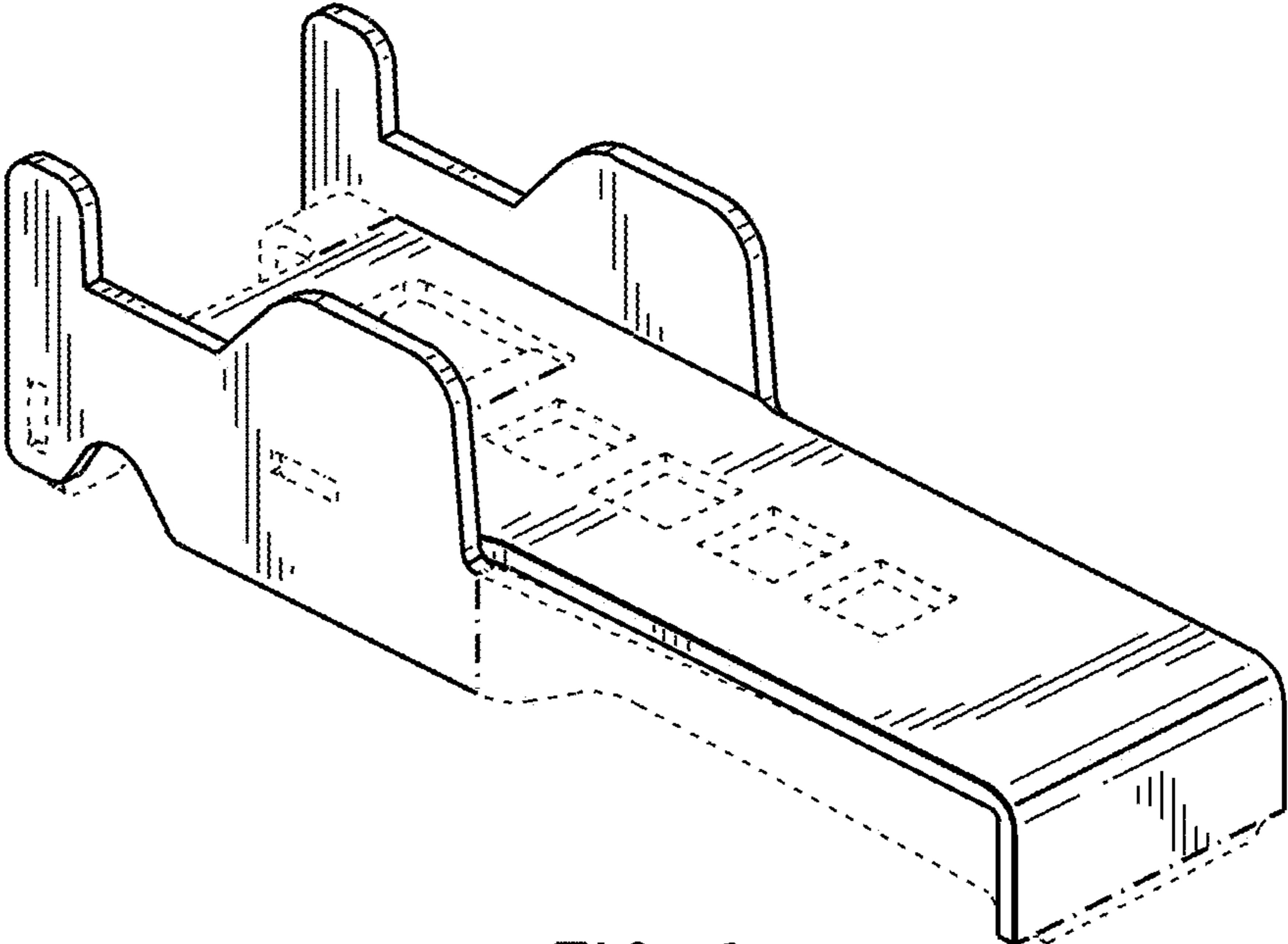


FIG. 1

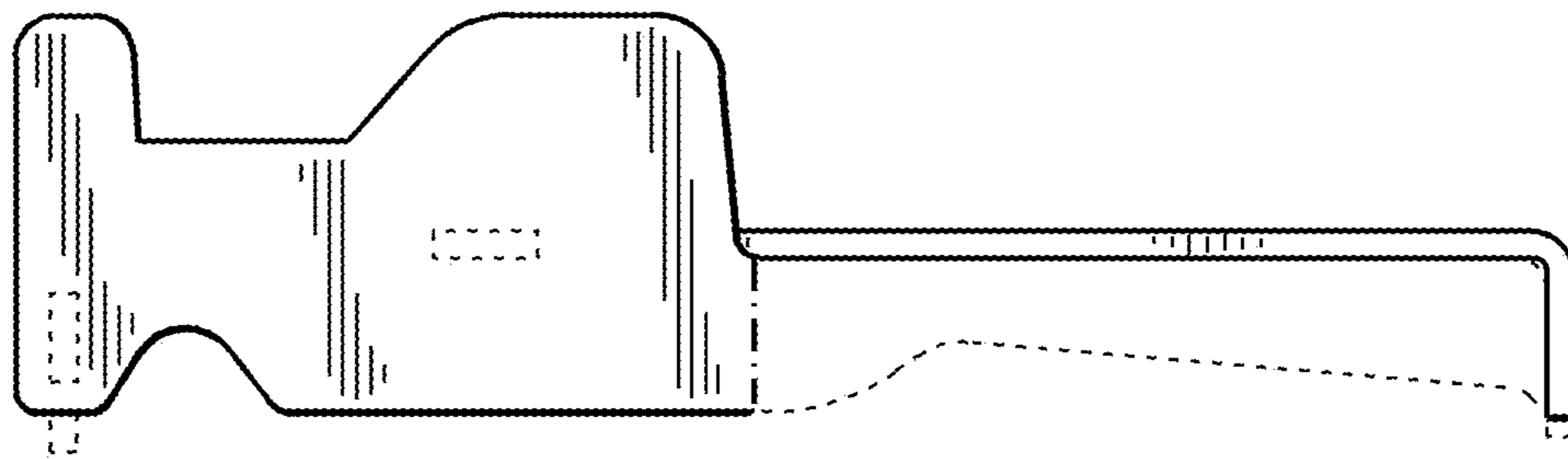


FIG. 2

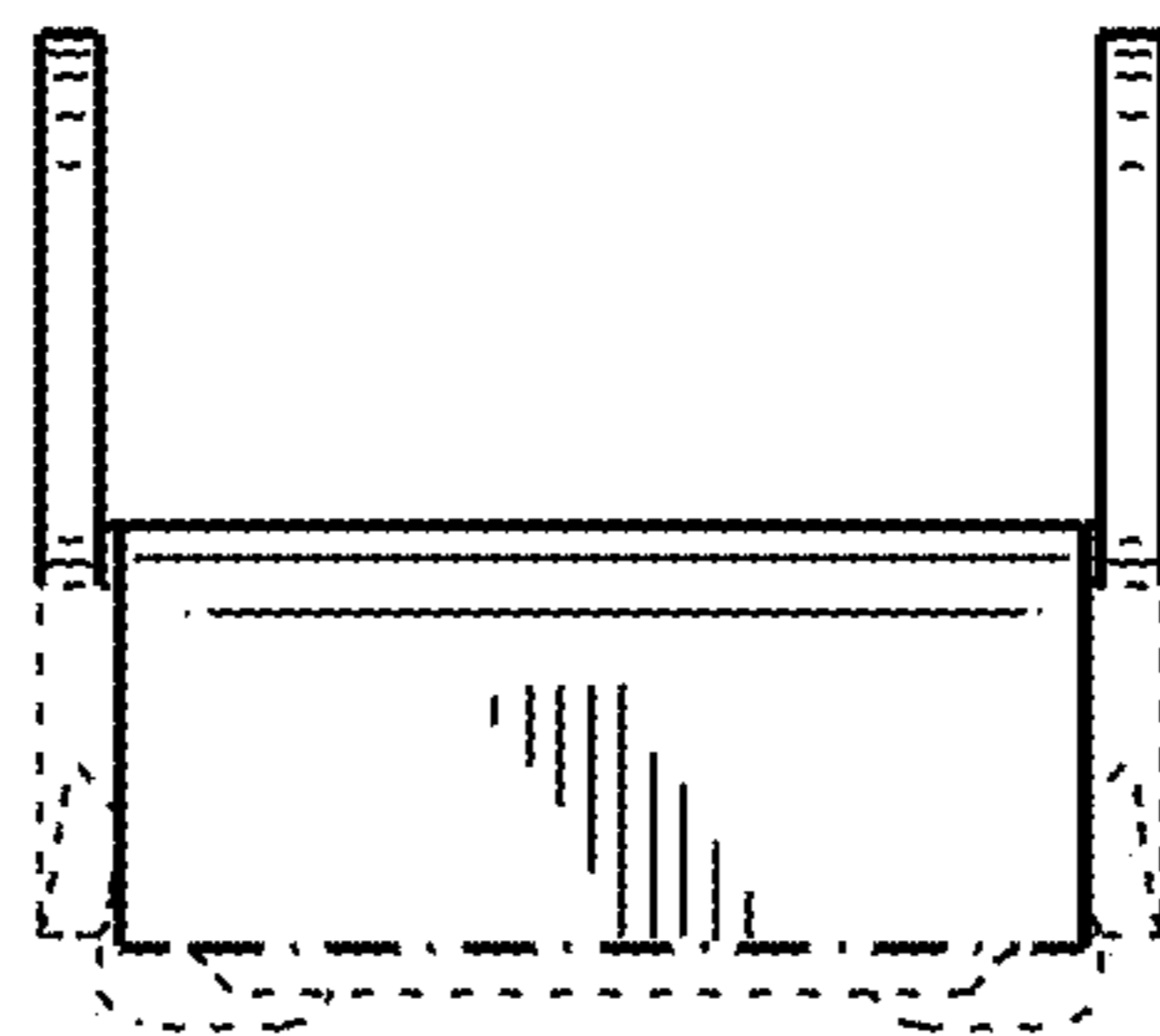


FIG. 3

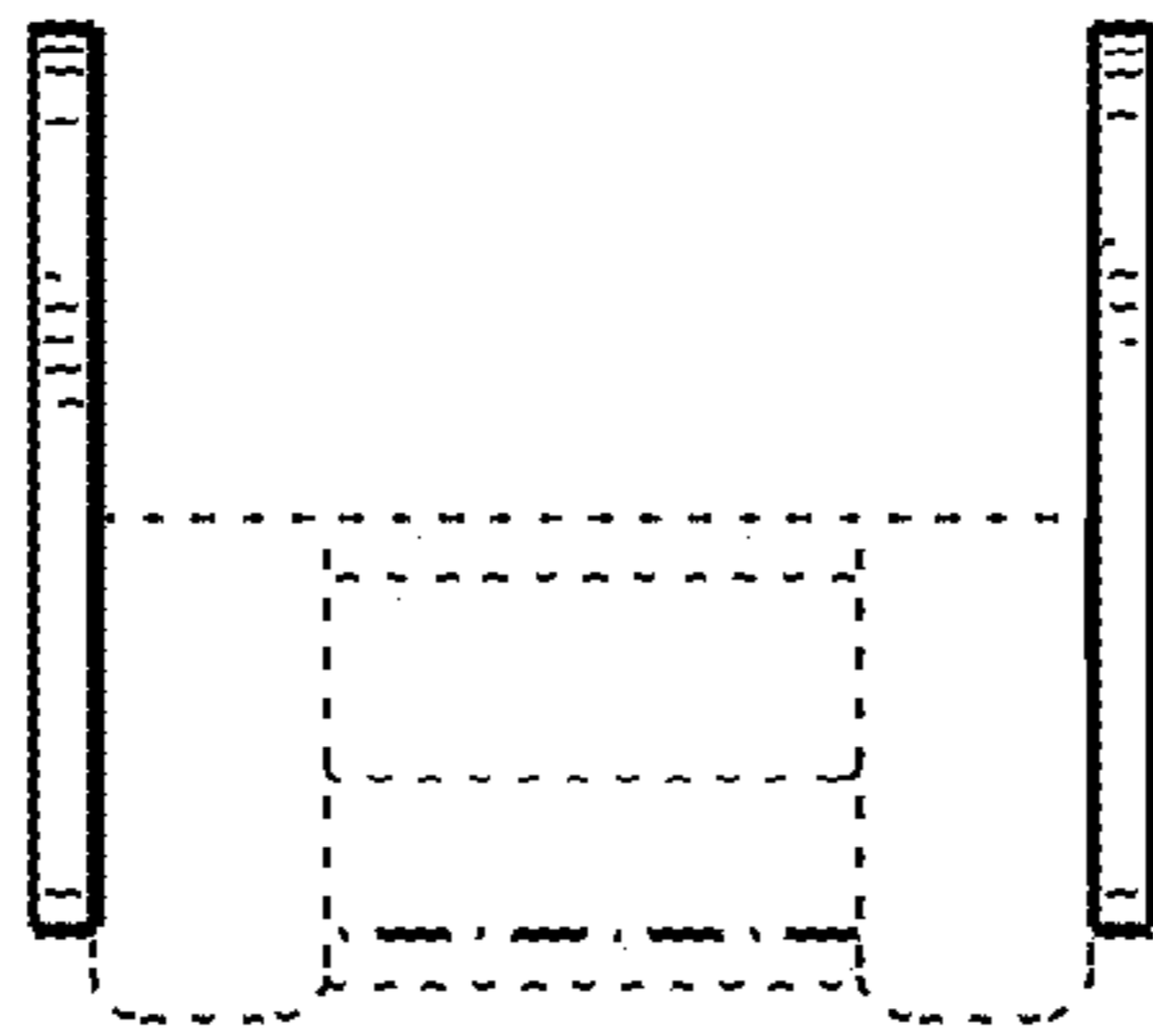


FIG. 4

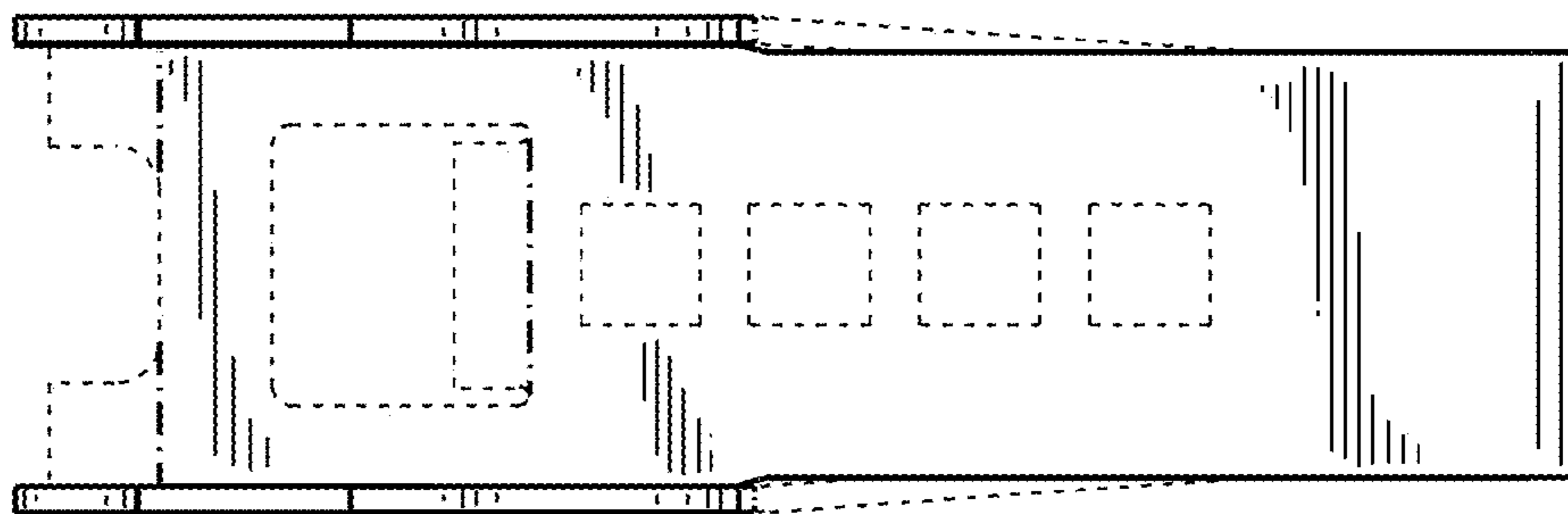


FIG. 5

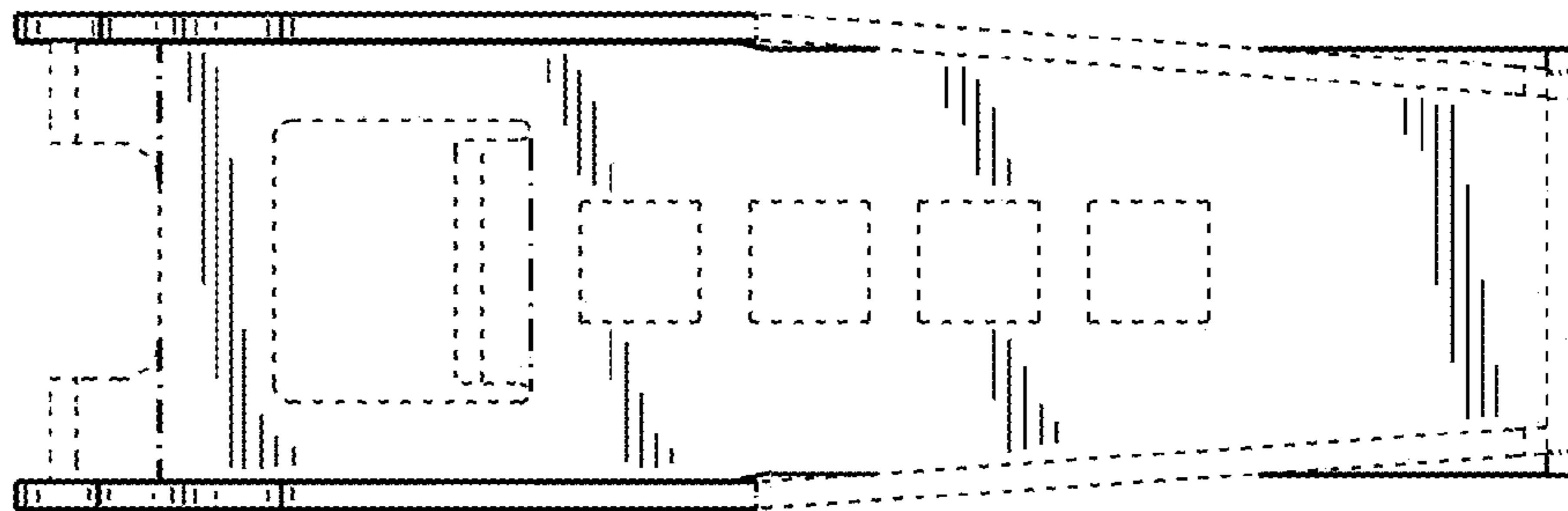


FIG. 6