



US00D735769S

(12) **United States Design Patent**  
**Thompson et al.**

(10) **Patent No.:** **US D735,769 S**

(45) **Date of Patent:** **\*\* Aug. 4, 2015**

(54) **ROTARY FLOW DIVIDER FOR SEEDING AND PLANTING IMPLEMENTS**

(71) Applicant: **CNH Canada, Ltd.**, Saskatoon, Saskatchewan (CA)

(72) Inventors: **Dennis G. Thompson**, Saskatoon (CA);  
**Darwin L. Zacharias**, Saskatoon (CA);  
**Ka Po Catherine Hui**, Saskatoon (CA);  
**Dennis W. Chahley**, Saskatoon (CA)

(73) Assignee: **CNH Industrial Canada Ltd.**, Saskatoon, Saskatchewan (CA)

(\*\*) Term: **14 Years**

(21) Appl. No.: **29/441,921**

(22) Filed: **Jan. 10, 2013**

(51) **LOC (10) Cl.** ..... **15-03**

(52) **U.S. Cl.**  
USPC ..... **D15/28**

(58) **Field of Classification Search**  
USPC ..... D15/28; 137/556.6, 625.47  
See application file for complete search history.

(56) **References Cited**

U.S. PATENT DOCUMENTS

1,850,937	A *	3/1932	Messinger	406/181
1,871,853	A *	8/1932	Kennedy	406/181
4,307,560	A *	12/1981	Swanson	56/11.9
4,327,540	A *	5/1982	Swanson	56/11.9
4,354,688	A *	10/1982	Swanson	280/43.23
4,381,036	A *	4/1983	Fardal et al.	172/2
4,593,717	A *	6/1986	Levasseur	137/556.6
5,713,850	A *	2/1998	Heilmann et al.	604/28
5,983,813	A *	11/1999	Swab et al.	111/150

6,059,047	A *	5/2000	Schimke	172/769
7,213,525	B2 *	5/2007	Meyer et al.	111/174
7,213,617	B2 *	5/2007	Snipes et al.	137/883
7,849,877	B2 *	12/2010	Tan et al.	137/625.46
D647,542	S *	10/2011	Zwettler	D15/28
8,469,636	B2 *	6/2013	Jost et al.	406/181
2011/0011474	A1 *	1/2011	Duncan	137/625.47
2011/0155030	A1 *	6/2011	Goldman et al.	111/170
2011/0311322	A1 *	12/2011	Jost et al.	406/181
2012/0174843	A1 *	7/2012	Friggstad	111/174
2012/0312212	A1 *	12/2012	Cruson	111/176
2014/0311598	A1 *	10/2014	Hui et al.	137/556.6

\* cited by examiner

Primary Examiner — Mark Goodwin

(74) Attorney, Agent, or Firm — Rebecca L. Henkel

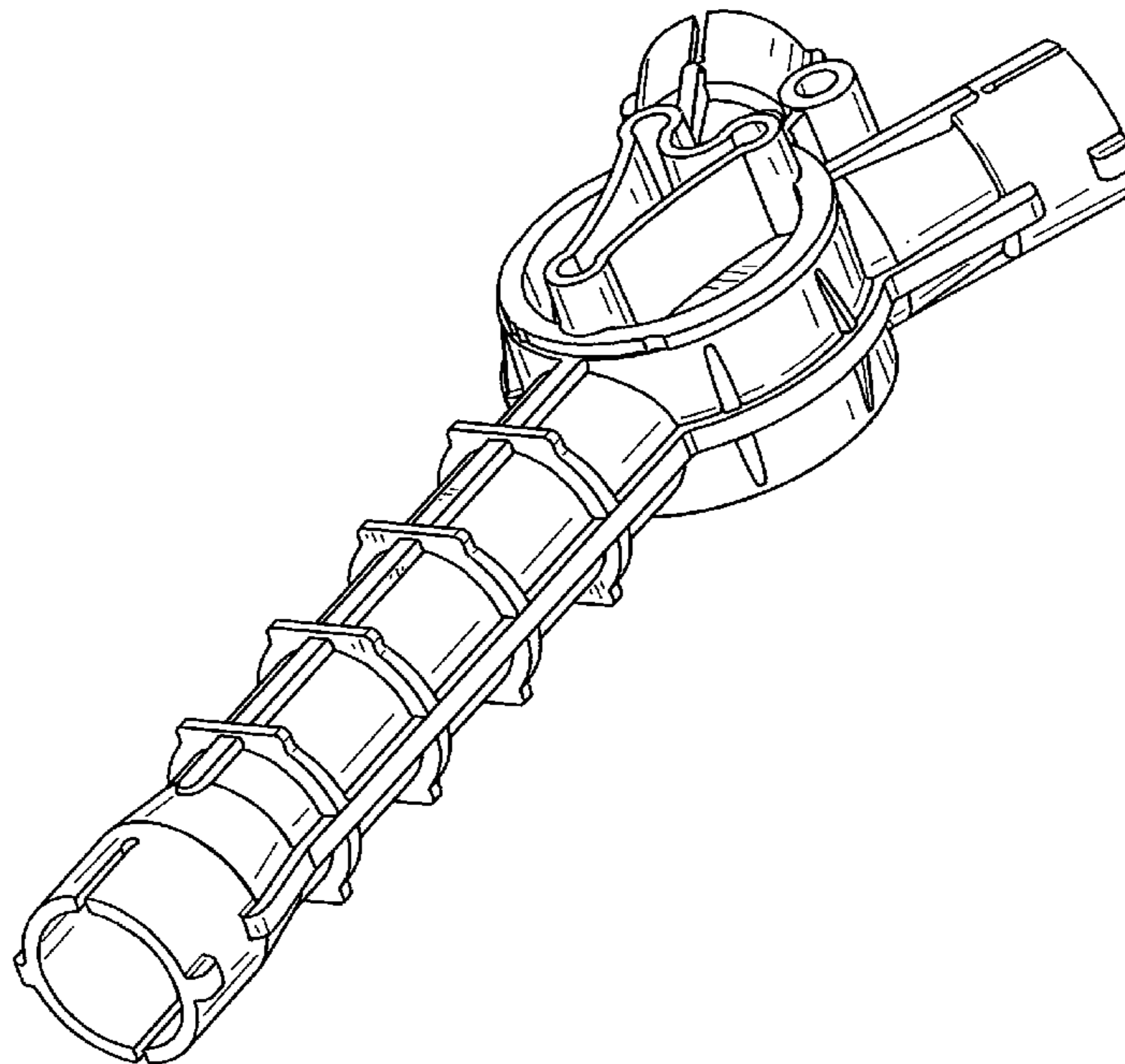
(57) **CLAIM**

The ornamental design for a rotary flow divider for seeding and planting implements, as shown and described.

**DESCRIPTION**

FIG. 1 is an isometric view of a rotary flow divider in accordance with the present invention;  
FIG. 2 is a top plan view of the rotary flow divider of FIG. 1;  
FIG. 3 is a bottom plan view of the rotary flow divider of FIG. 1;  
FIG. 4 is a side elevational view of the rotary flow divider of FIG. 1;  
FIG. 5 is an end view of a first end of the rotary flow divider of FIG. 1;  
FIG. 6 is an end view of a second end of the rotary flow divider of FIG. 1; and,  
FIG. 7 is a cross-sectional view of the rotary flow divider of FIG. 1, taken at line 7-7 of FIG. 4.

**1 Claim, 6 Drawing Sheets**



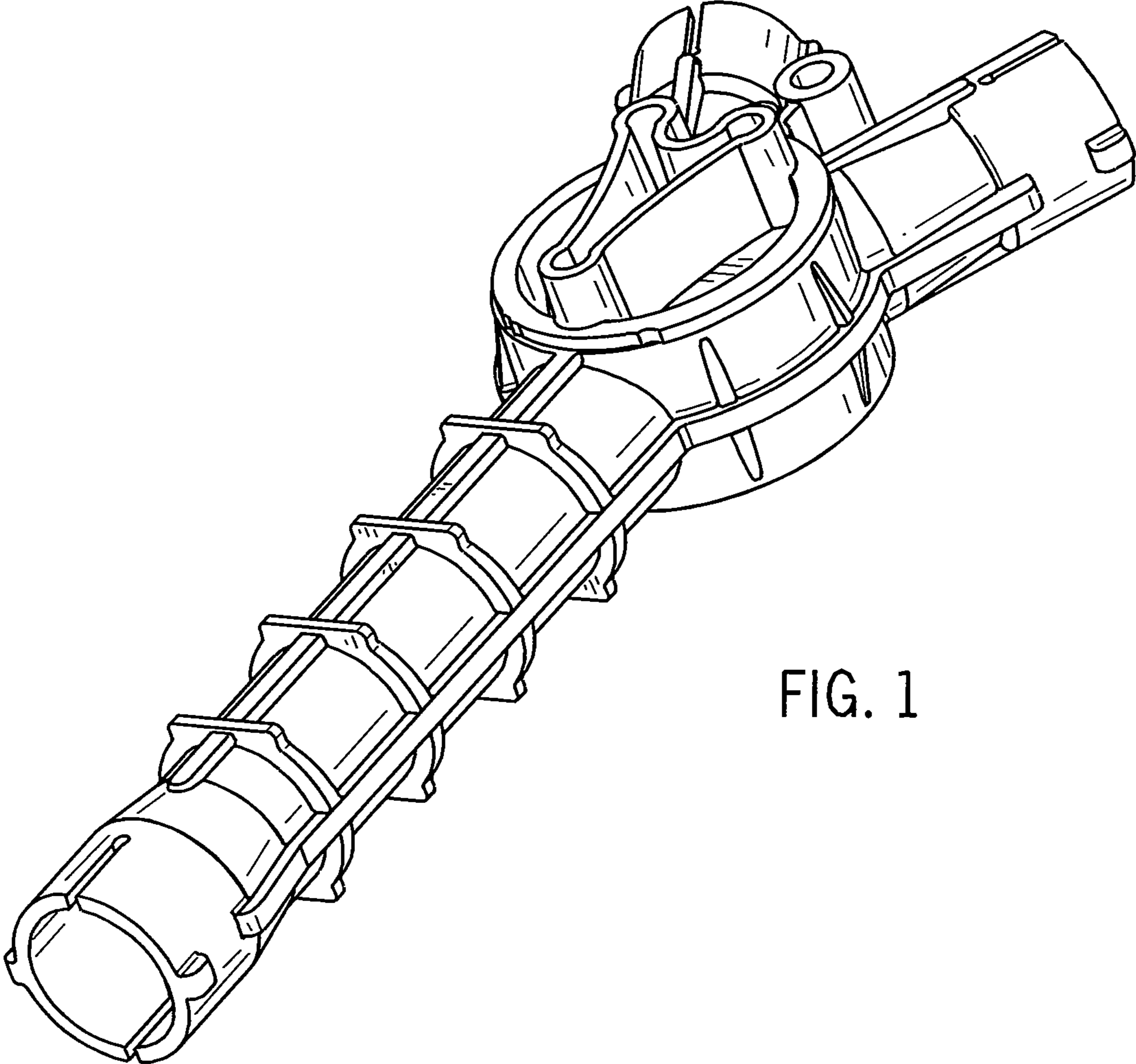


FIG. 1

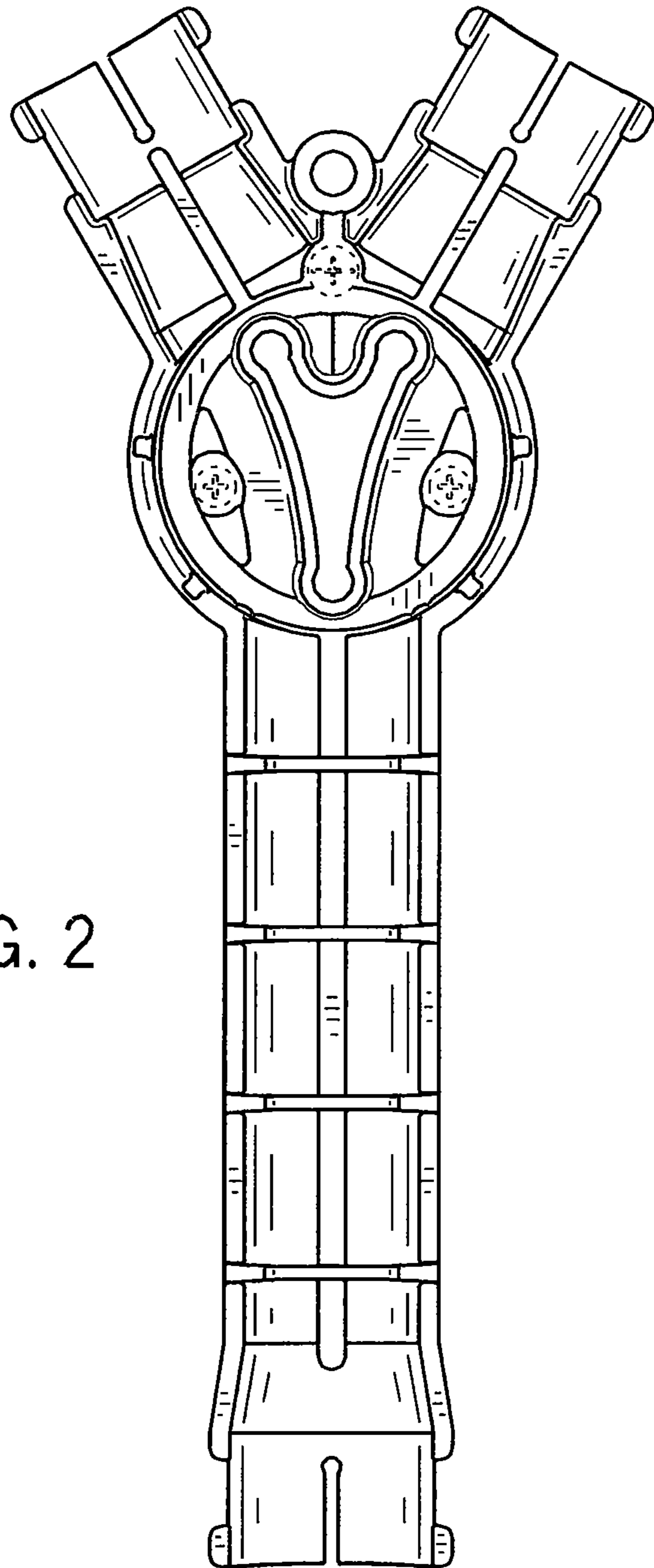


FIG. 2

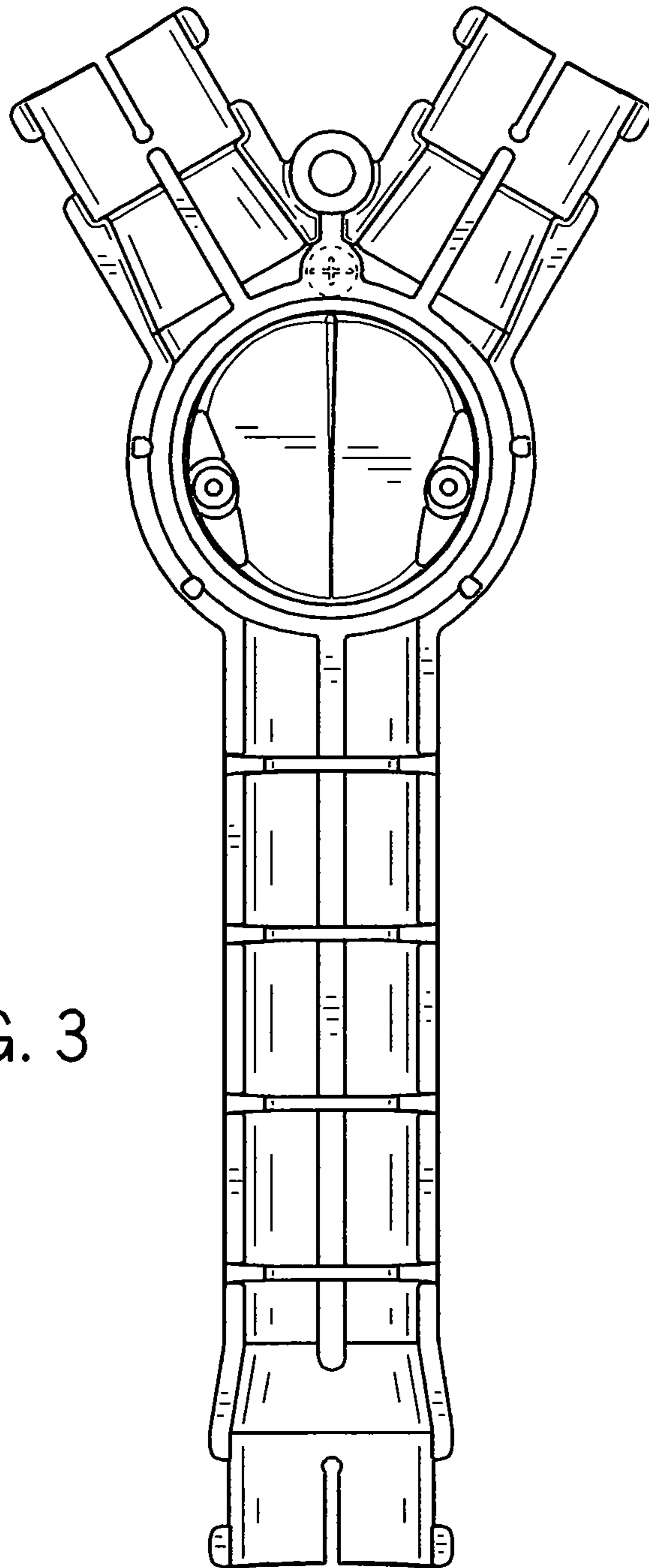


FIG. 3

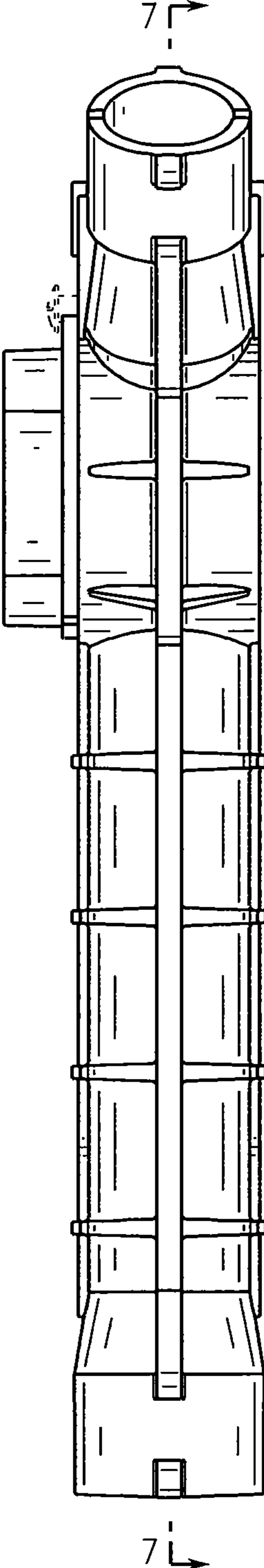


FIG. 4

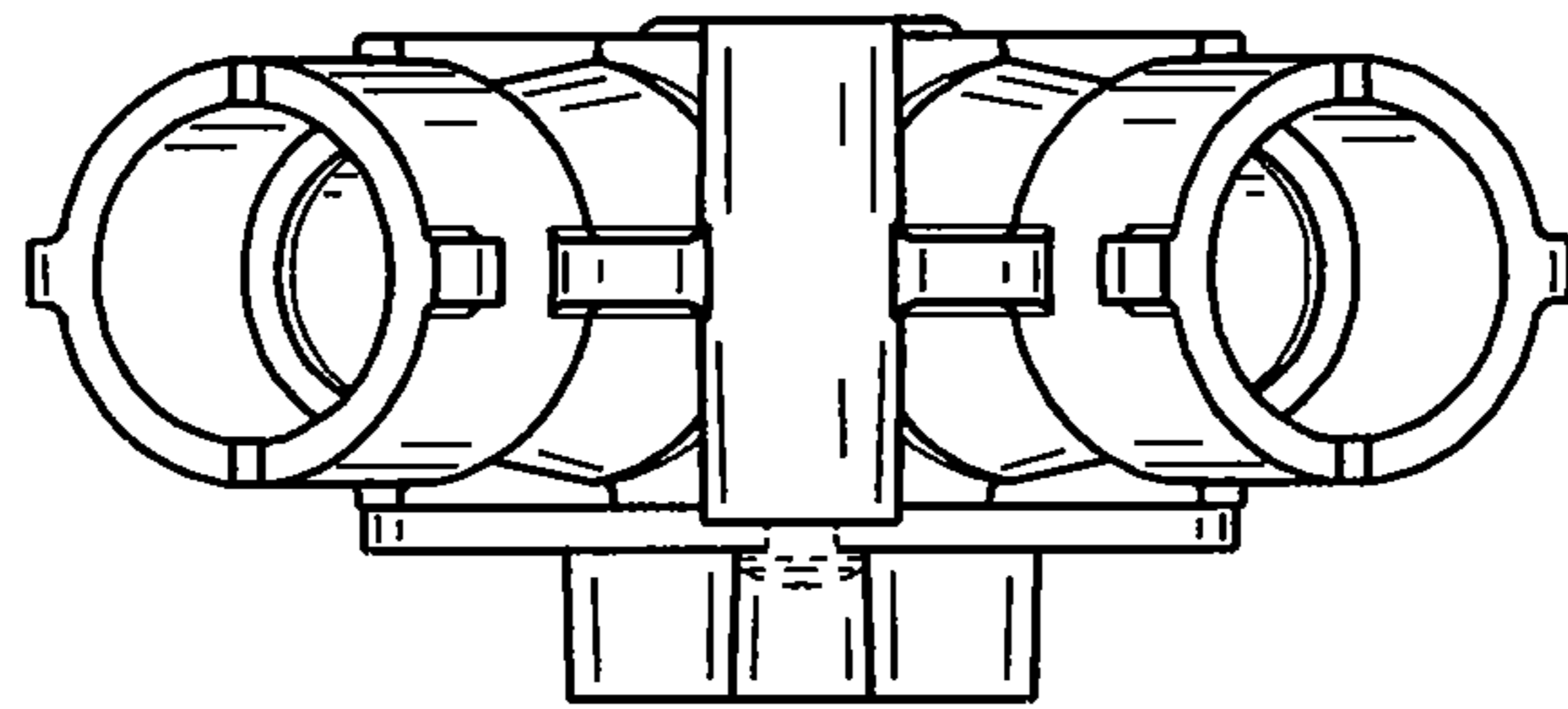


FIG. 5

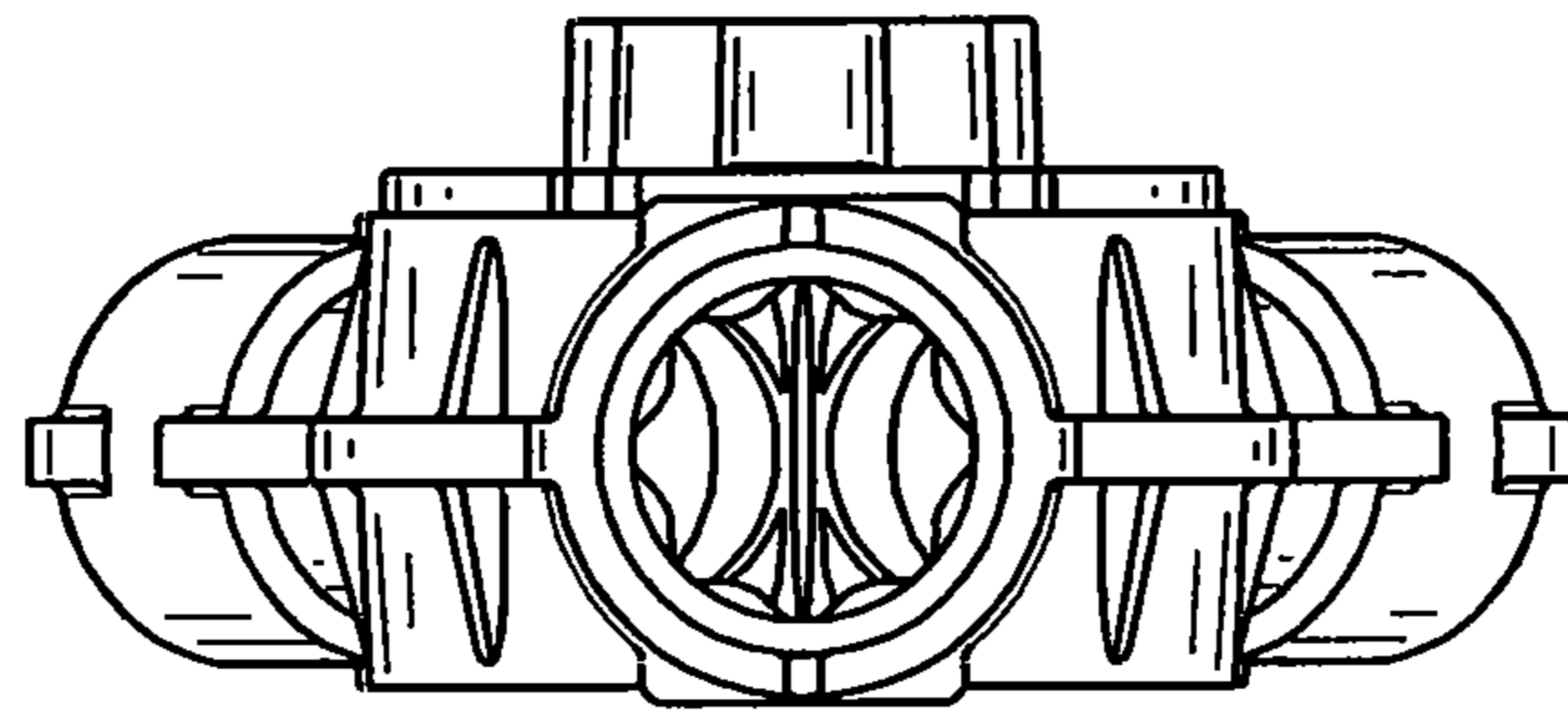


FIG. 6

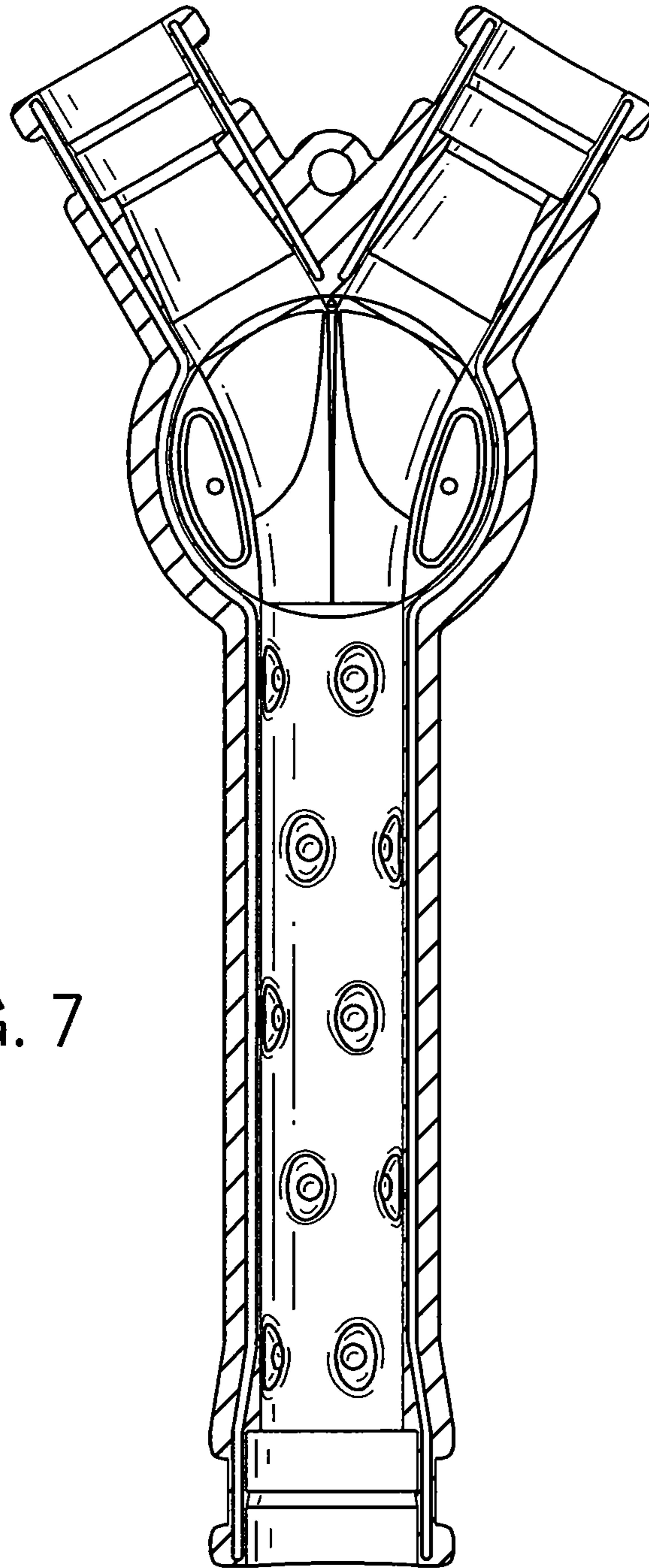


FIG. 7