



US00D735765S

(12) **United States Design Patent**  
**Andren et al.**

(10) **Patent No.:** **US D735,765 S**  
(45) **Date of Patent:** **\*\* Aug. 4, 2015**

(54) **BLOWER HOUSING WITH LOW PROFILE AIR CLEANER**

(71) Applicant: **Kohler Co.**, Kohler, WI (US)

(72) Inventors: **Travis J. Andren**, Sheboygan, WI (US); **Christopher T. Forrest**, Manitowoc, WI (US); **Nicholas D. Conger**, Sheboygan, WI (US); **Daniel J. Luhman**, Kohler, WI (US); **Christopher M. Rector**, Kiel, WI (US); **Michael E. Smies**, Waldo, WI (US)

(73) Assignee: **Kohler Co.**, Kohler, WI (US)

(\*\*) Term: **14 Years**

(21) Appl. No.: **29/441,382**

(22) Filed: **Jan. 4, 2013**

(51) **LOC (10) Cl.** ..... **15-01**

(52) **U.S. Cl.**  
USPC ..... **D15/5**

(58) **Field of Classification Search**  
USPC ..... D15/1-6, 14, 17, 149; 123/22, 41, 34, 123/51 A, 606 R, 52.1, 50 A, 50 B, 54.1, 123/54.2, 54.4, 54.5, 65 R, 195 R, 195 HC, 123/657, 311; D32/15  
CPC .... F02B 2075/027; F02B 75/20; F02B 75/22; F02B 2075/1816; F02B 2275/20; F02B 77/13; F02B 2075/025; F02B 2075/1808; F02B 2275/18; F02B 63/04; F02B 77/00; F02F 7/0039; F01P 5/06; F01P 11/10  
See application file for complete search history.

(56) **References Cited**

**U.S. PATENT DOCUMENTS**

D330,897 S 11/1992 Carlson et al.  
D352,042 S 11/1994 Davies, III  
D352,043 S 11/1994 Davies, III  
D396,045 S 7/1998 Neeley  
D396,476 S 7/1998 Shimizu

D397,342 S 8/1998 Shimizu  
D466,905 S 12/2002 Neeley et al.  
D468,751 S 1/2003 Neeley et al.  
D471,560 S 3/2003 Davis  
D484,889 S 1/2004 Neeley et al.  
D487,751 S 3/2004 Neeley et al.  
D491,192 S 6/2004 Davis  
D491,193 S 6/2004 Davis  
D513,012 S 12/2005 Strandell et al.  
D513,754 S 1/2006 Strandell et al.  
D525,991 S 8/2006 Walters  
D527,022 S 8/2006 Walters

(Continued)

**OTHER PUBLICATIONS**

U.S. Appl. No. 29/438,836, filed Dec. 4, 2012, 19 pages.

(Continued)

*Primary Examiner* — T. Chase Nelson

*Assistant Examiner* — Ania Aman

(74) *Attorney, Agent, or Firm* — Whyte Hirschboeck Dudek S.C.

(57) **CLAIM**

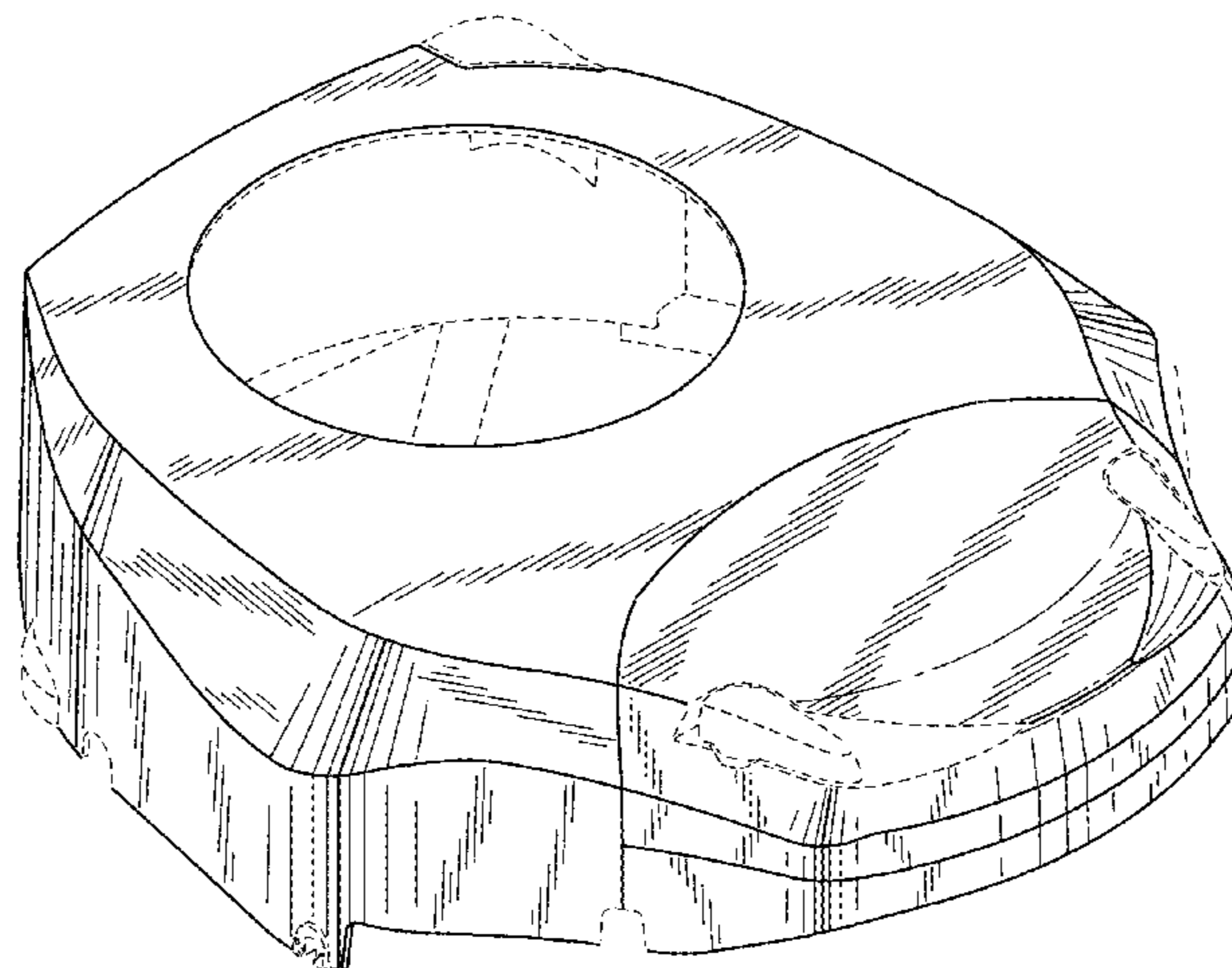
The ornamental design for a blower housing with low profile air cleaner, as shown and described.

**DESCRIPTION**

FIG. 1 is a perspective view of a blower housing with low profile air cleaner showing our new design;  
FIG. 2 is a top view thereof;  
FIG. 3 is a rear view thereof;  
FIG. 4 is a right side view thereof;  
FIG. 5 is a left side view thereof;  
FIG. 6 is a front view thereof; and,  
FIG. 7 is a bottom view thereof.

The broken lines showing in the figures are for purposes of illustrating portions of the engine blower housing with low profile air cleaner (or associated components) only and form no part of the claimed design.

**1 Claim, 4 Drawing Sheets**



(56)

**References Cited**

U.S. PATENT DOCUMENTS

D527,741	S	9/2006	Vervoorn	
D538,823	S	3/2007	Vervoorn	
D548,750	S *	8/2007	Neeley et al.	D15/5
D553,645	S	10/2007	Drew et al.	
D572,271	S *	7/2008	Maeda	D15/1
D583,831	S	12/2008	Post et al.	
D594,878	S	6/2009	Post et al.	
D598,471	S *	8/2009	Wang et al.	D15/1
D667,464	S *	9/2012	Tiefenthaler	D15/5
D671,959	S	12/2012	Burey et al.	
D691,177	S *	10/2013	Tiefenthaler	D15/5
D708,645	S *	7/2014	Sarder et al.	D15/5
2006/0169256	A1 *	8/2006	Lavender et al.	123/559.1
2014/0271132	A1 *	9/2014	Le Roy et al.	415/119

OTHER PUBLICATIONS

Restriction Requirement for U.S. Appl. No. 29/438,836 dated Nov. 13, 2014, 4 pages.  
 Notice of Allowance for U.S. Appl. No. 29/438,836 dated Dec. 17, 2014, 8 pages.  
 U.S. Design Patent application for U.S. Appl. No. 29/438,837, filed Dec. 4, 2012, 19 pages.

Restriction Requirement for U.S. Appl. No. 29/438,837 dated Nov. 13, 2014, 4 pages.  
 Notice of Allowance for U.S. Appl. 29/438,837 dated Jan. 2, 2015, 8 pages.  
 U.S. Design Patent application for U.S. Appl. No. 29/441,381, filed Jan. 4, 2013, 10 pages.  
 Restriction Requirement for U.S. Appl. No. 29/441,381 dated Nov. 19, 2014, 4 pages.  
 Notice of Allowance for U.S. Appl. No. 29/441,381 dated Dec. 19, 2014, 7 pages.  
 U.S. Design Patent application for U.S. Appl. No. 29/519,693, filed Mar. 6, 2015, 6 pages.  
 U.S. Design Patent application for U.S. Appl. No. 29/519,698, filed Mar. 6, 2015, 6 pages.  
 U.S. Design Patent application for U.S. Appl. No. 29/519,699, filed Mar. 6, 2015, 6 pages.  
 U.S. Design Patent application for U.S. Appl. No. 29/519,703, filed Mar. 6, 2015, 6 pages.  
 U.S. Design Patent application for U.S. Appl. No. 29/519,704, filed Mar. 6, 2015, 6 pages.  
 U.S. Design Patent application for U.S. Appl. No. 29/519,694, filed Mar. 6, 2015, 6 pages.

\* cited by examiner

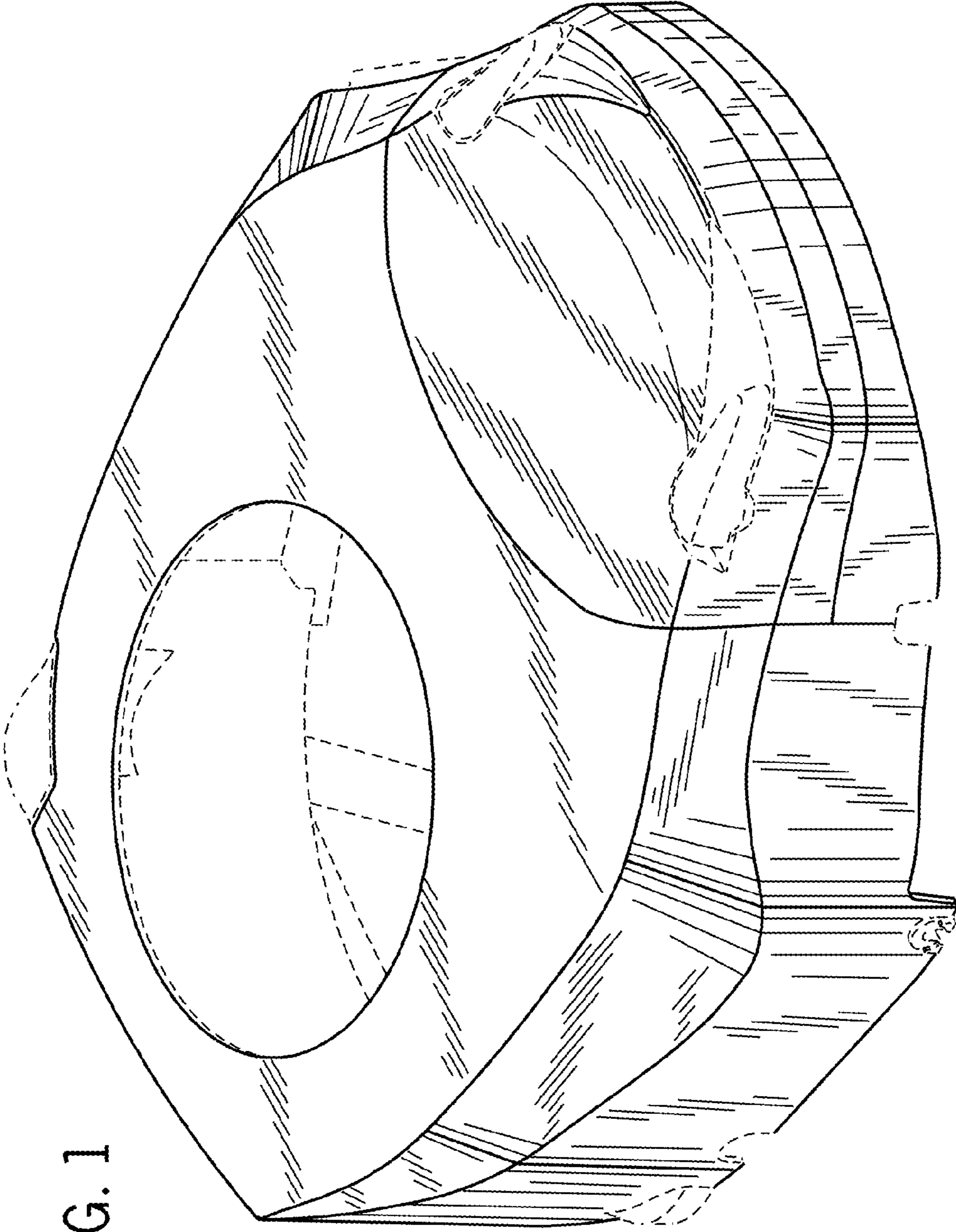


FIG. 1

FIG. 2

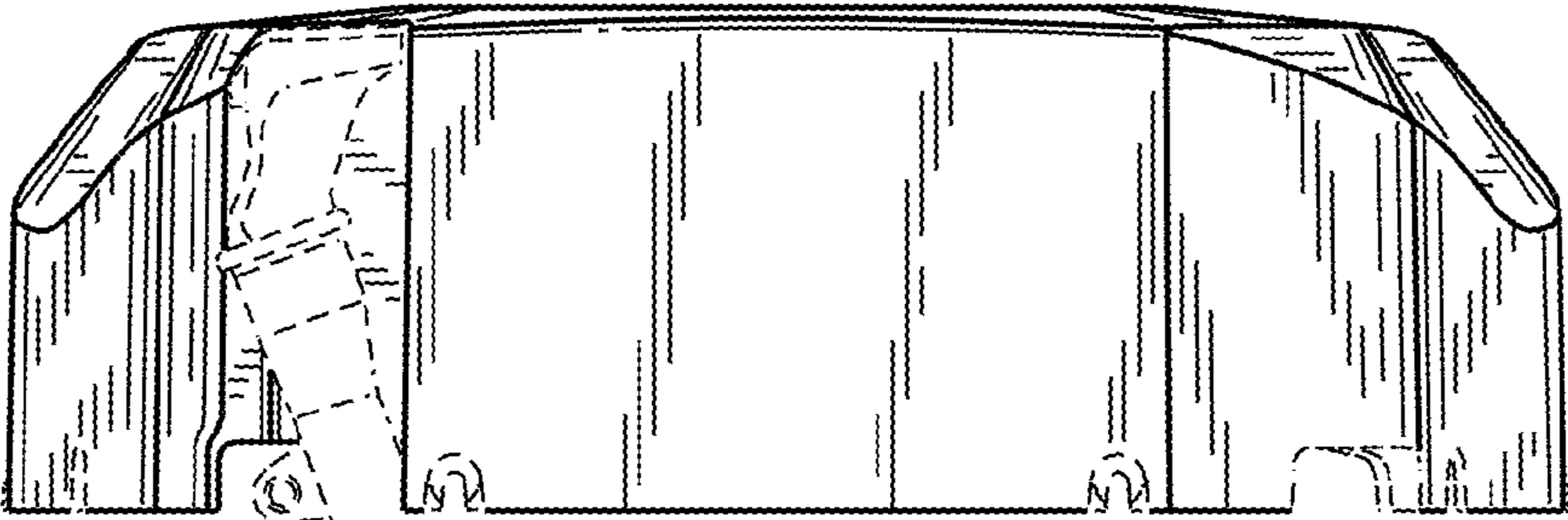
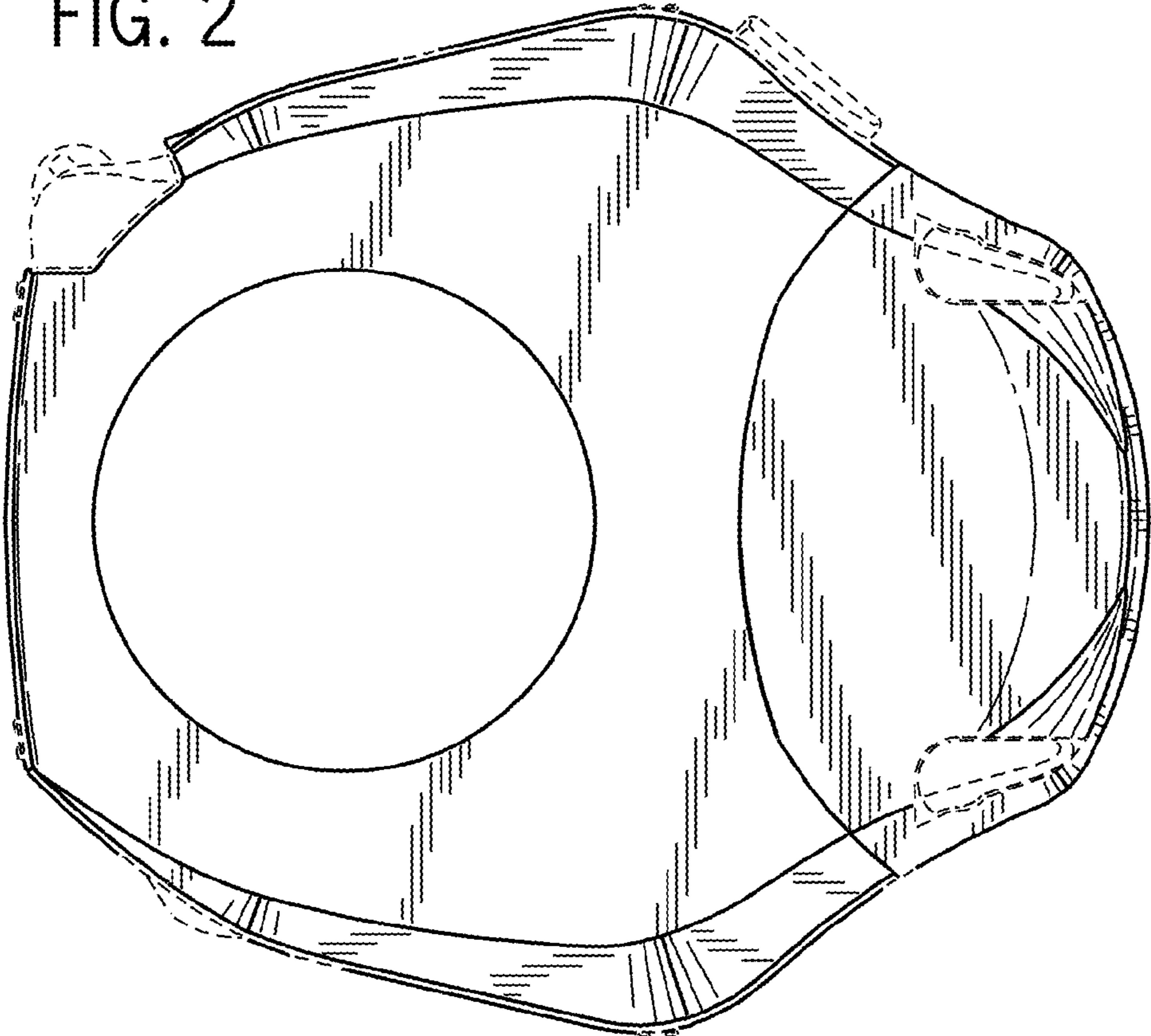


FIG. 3

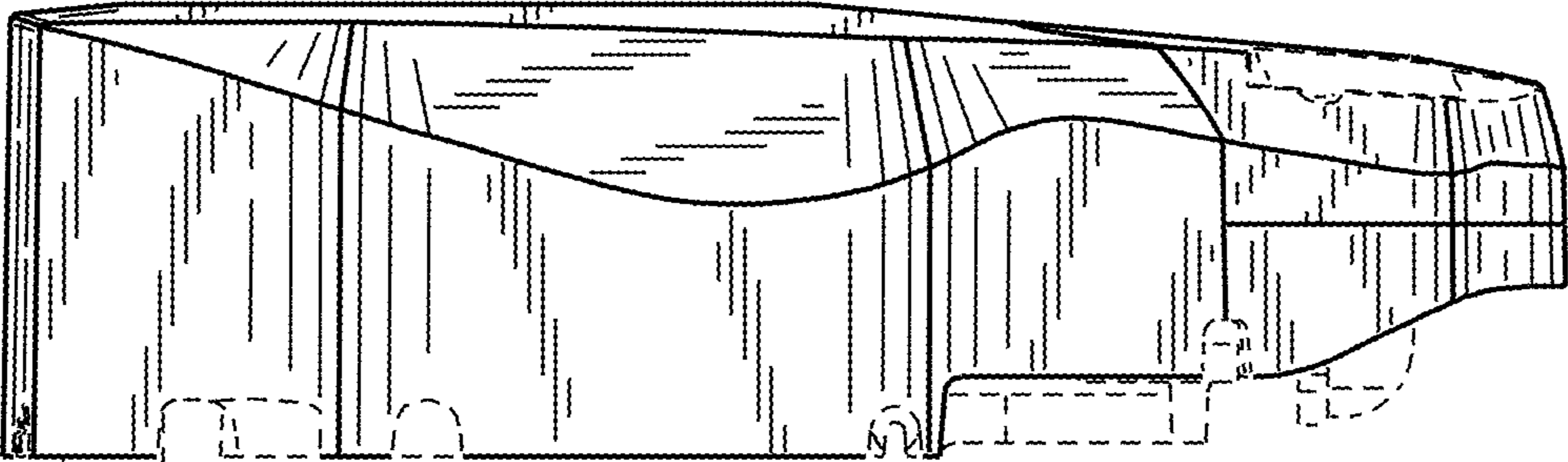


FIG. 4

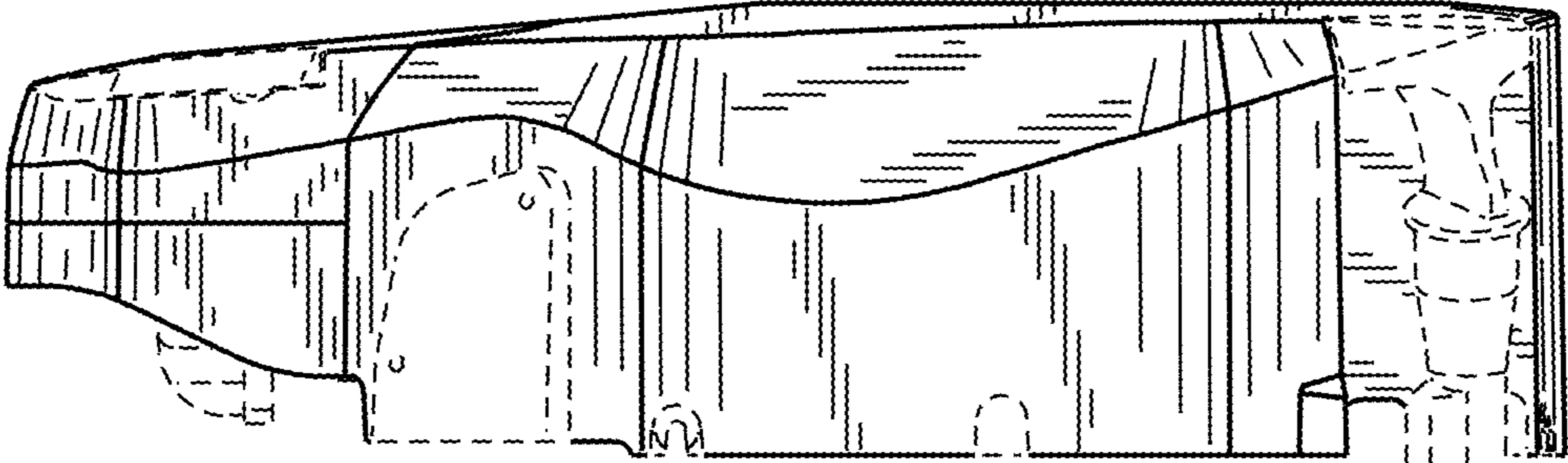


FIG. 5



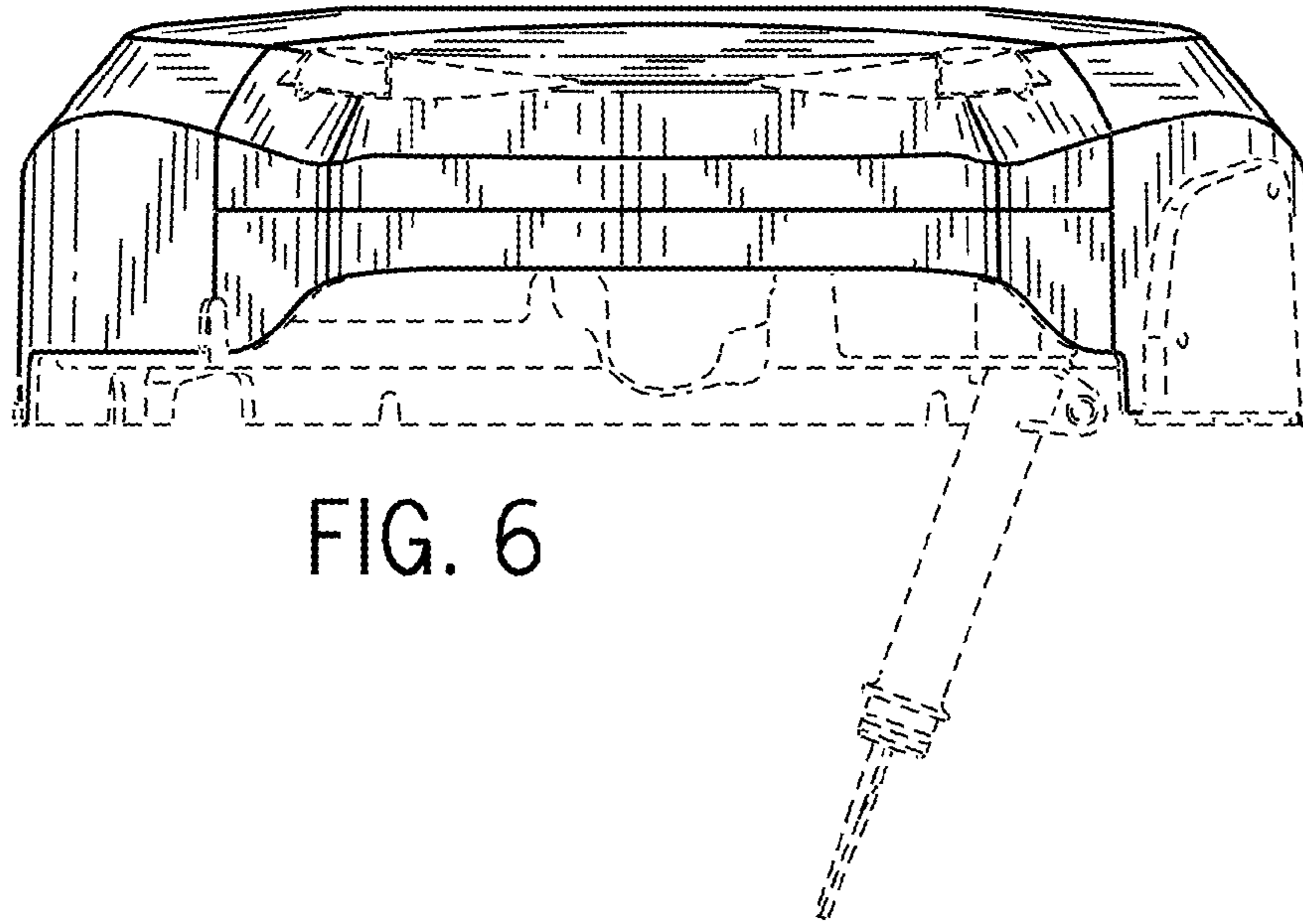


FIG. 6

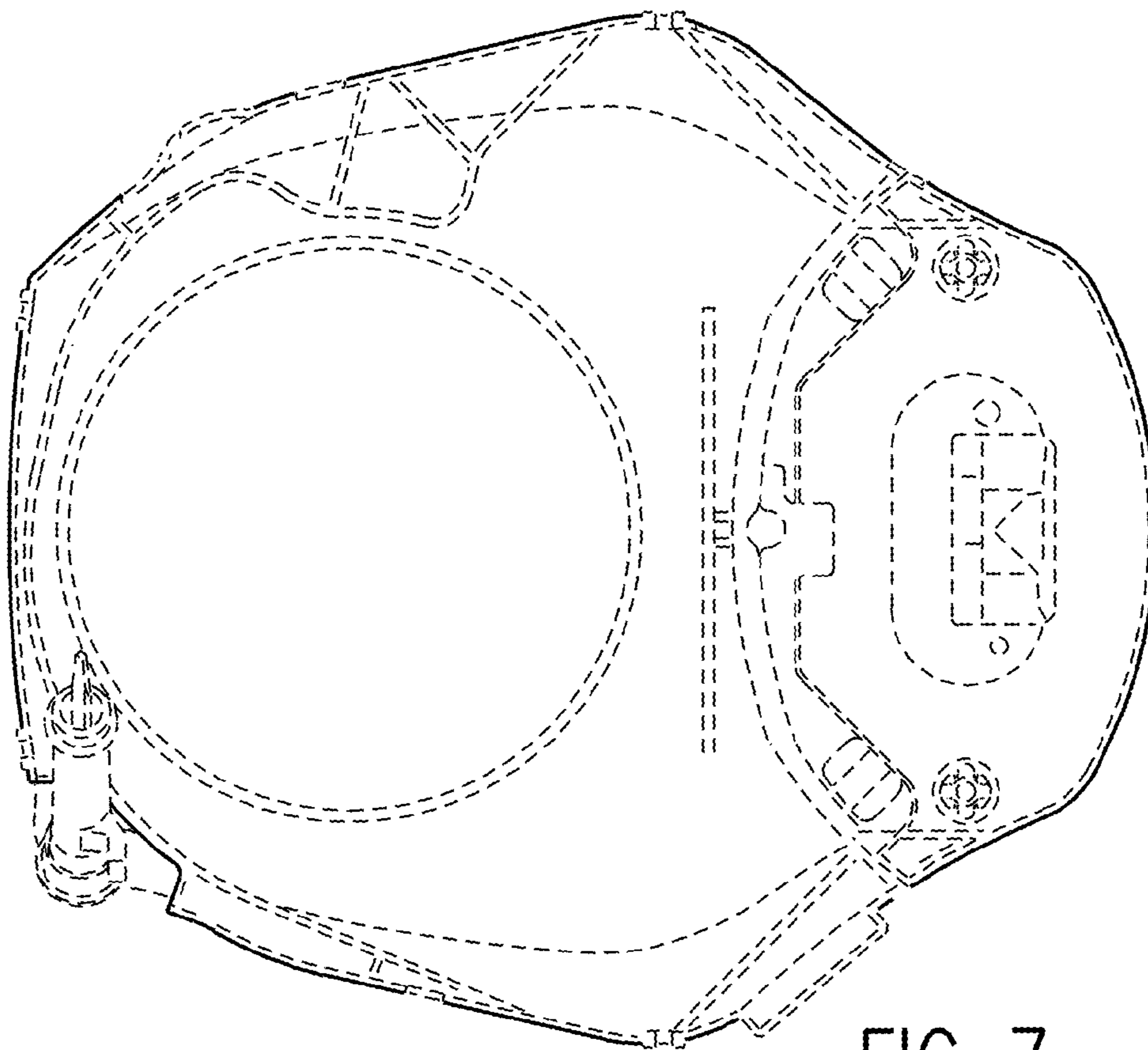


FIG. 7