



US00D735763S

(12) **United States Design Patent**
Andren et al.

(10) **Patent No.:** **US D735,763 S**
(45) **Date of Patent:** **** Aug. 4, 2015**

(54) **ENGINE BLOWER HOUSING WITH AIR CLEANER**

D396,045 S 7/1998 Neeley
D396,476 S 7/1998 Shimizu
D397,342 S 8/1998 Shimizu

(71) Applicant: **Kohler Co.**, Kohler, WI (US)

(Continued)

(72) Inventors: **Travis J. Andren**, Sheboygan, WI (US);
Christopher D. Thorn, Belgium, WI (US); **Anthony P. Freund**, Fond du Lac, WI (US); **Nicholas D. Conger**, Sheboygan, WI (US); **Daniel J. Luhman**, Kohler, WI (US); **Christopher M. Rector**, Kiel, WI (US); **Michael E. Smies**, Waldo, WI (US)

OTHER PUBLICATIONS

U.S. Design Patent application for U.S. Appl. No. 29/438,836, filed Dec. 4, 2012, 19 pages.

(Continued)

(73) Assignee: **Kohler Co.**, Kohler, WI (US)

Primary Examiner — T. Chase Nelson

Assistant Examiner — Ania Aman

(74) *Attorney, Agent, or Firm* — Whyte Hirschboeck Dudek S.C.

(**) Term: **14 Years**

(57) **CLAIM**

An ornamental design for an engine blower housing with air cleaner, as shown and described.

(21) Appl. No.: **29/438,837**

(22) Filed: **Dec. 4, 2012**

DESCRIPTION

(51) **LOC (10) Cl.** **15-01**

(52) **U.S. Cl.**
USPC **D15/5**

(58) **Field of Classification Search**
USPC D15/1-6, 14, 17, 149; 123/22, 41, 34, 123/51 A, 606 R, 52.1, 50 A, 50 B, 54.1, 123/54.2, 54.4, 54.5, 65 R, 195 R, 195 HC, 123/657, 311; D32/15
CPC F02B 2075/027; F02B 75/20; F02B 75/22; F02B 2075/1816; F02B 2275/20; F02B 77/13; F02B 2075/025; F02B 2075/1808; F02B 2275/18; F02B 63/04; F02B 77/00; F01P 5/06; F01P 11/10; F02F 7/0039
See application file for complete search history.

FIG. 1 is a perspective view of a first embodiment of an engine blower housing with air cleaner showing our new design; FIG. 2 is a top view thereof; FIG. 3 is a rear view thereof; FIG. 4 is a right side view thereof; FIG. 5 is a left side view thereof; FIG. 6 is a front view thereof; FIG. 7 is a bottom view thereof; FIG. 8 is a perspective view of a second embodiment thereof; FIG. 9 is a top view thereof; FIG. 10 is a rear view thereof; FIG. 11 is a right side view thereof; FIG. 12 is a left side view thereof; FIG. 13 is a front view thereof; and, FIG. 14 is a bottom view thereof.

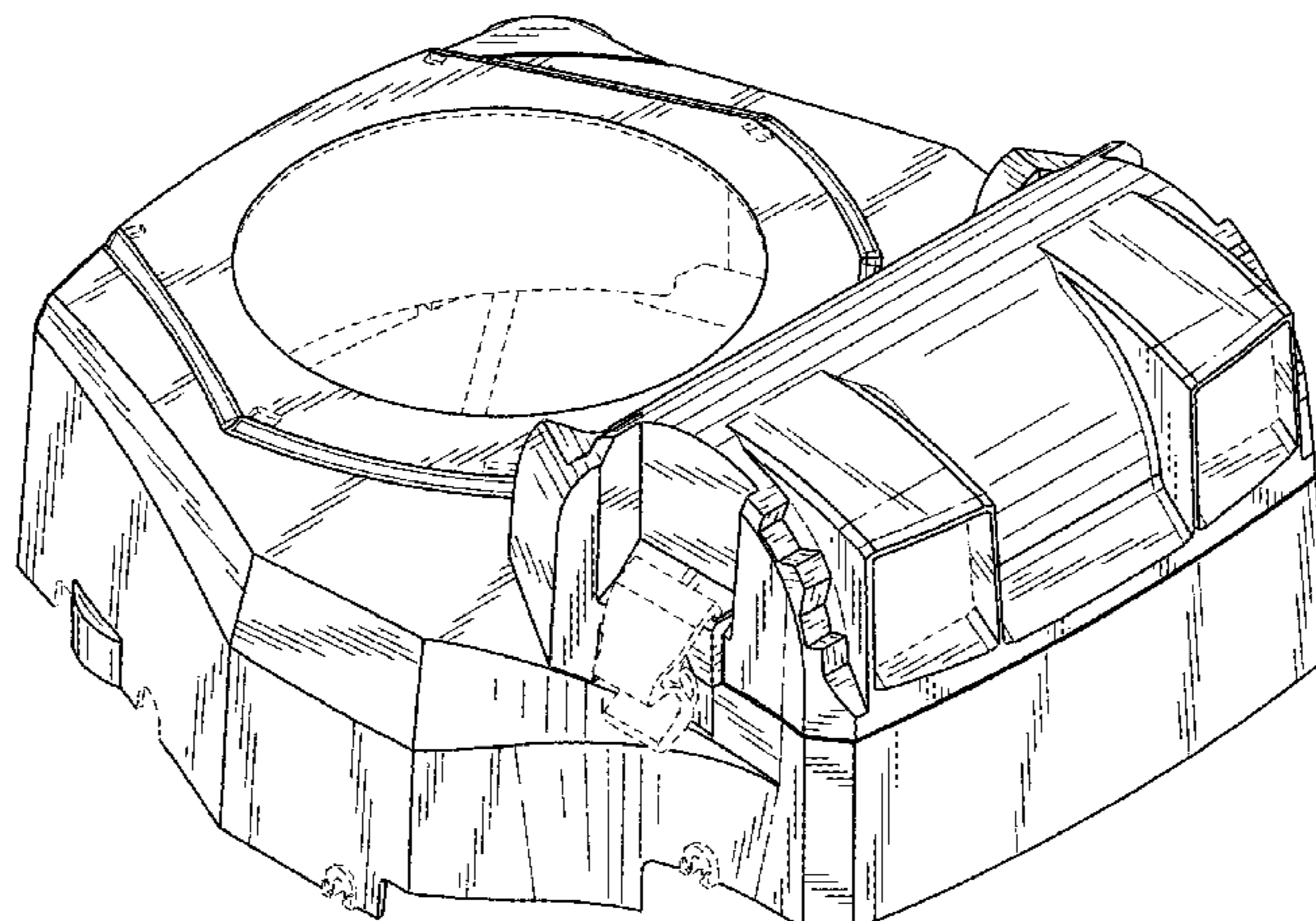
The broken lines showing in the figures are for purposes of illustrating portions of the engine blower housing with air cleaner (or associated components) only and form no part of the claimed design.

(56) **References Cited**

U.S. PATENT DOCUMENTS

D330,897 S 11/1992 Carlson et al.
D352,042 S 11/1994 Davies, III
D352,043 S 11/1994 Davies, III

1 Claim, 8 Drawing Sheets



(56)

References Cited

OTHER PUBLICATIONS

U.S. PATENT DOCUMENTS

D466,905 S 12/2002 Neeley et al.
 D468,751 S 1/2003 Neeley et al.
 D471,560 S 3/2003 Davis
 D484,889 S 1/2004 Neeley et al.
 D487,751 S 3/2004 Neeley et al.
 D491,192 S 6/2004 Davis
 D491,193 S 6/2004 Davis
 D513,012 S 12/2005 Strandell et al.
 D513,754 S 1/2006 Strandell et al.
 D525,991 S 8/2006 Walters
 D527,022 S 8/2006 Walters
 D527,741 S 9/2006 Vervoorn
 D538,823 S 3/2007 Vervoorn
 D548,750 S * 8/2007 Neeley et al. D15/5
 D553,645 S 10/2007 Drew et al.
 D572,271 S * 7/2008 Maeda D15/1
 D583,831 S 12/2008 Post et al.
 D594,878 S * 6/2009 Post et al. D15/5
 D598,471 S * 8/2009 Wang et al. D15/1
 D667,464 S * 9/2012 Tiefenthaler D15/5
 D671,959 S 12/2012 Burey et al.
 D691,177 S * 10/2013 Tiefenthaler D15/5
 D708,645 S * 7/2014 Sarder et al. D15/5
 2006/0169256 A1 * 8/2006 Lavender et al. 123/559.1
 2014/0271132 A1 * 9/2014 Le Roy et al. 415/119

Restriction Requirement for U.S. Appl. No. 29/438,836 dated Nov. 13, 2014, 4 pages.
 Notice of Allowance for U.S. Appl. No. 29/438,836 dated Dec. 17, 2014, 8 pages.
 U.S. Design Patent application for U.S. Appl. No. 29/519,704, filed Mar. 6, 2015, 6 pages.
 U.S. Design Patent application for U.S. Appl. No. 29/519,699, filed Mar. 6, 2015, 6 pages.
 U.S. Design Patent application for U.S. Appl. No. 29/519,698, filed Mar. 6, 2015, 6 pages.
 U.S. Design Patent application for U.S. Appl. No. 29/441,382, filed Jan. 4, 2013, 10 pages.
 Restriction Requirement for U.S. Appl. No. 29/441,382 dated Nov. 19, 2014, 4 pages.
 Notice of Allowance for U.S. Appl. No. 29/441,382 dated Dec. 23, 2014, 7 pages.
 U.S. Design Patent application for U.S. Appl. No. 29/519,693, filed Mar. 6, 2015, 17 pages.
 U.S. Design Patent application for U.S. Appl. No. 29/519,694, filed Mar. 6, 2015, 6 pages.
 U.S. Design Patent application for U.S. Appl. No. 29/519,703, filed Mar. 6, 2015, 6 pages.

* cited by examiner

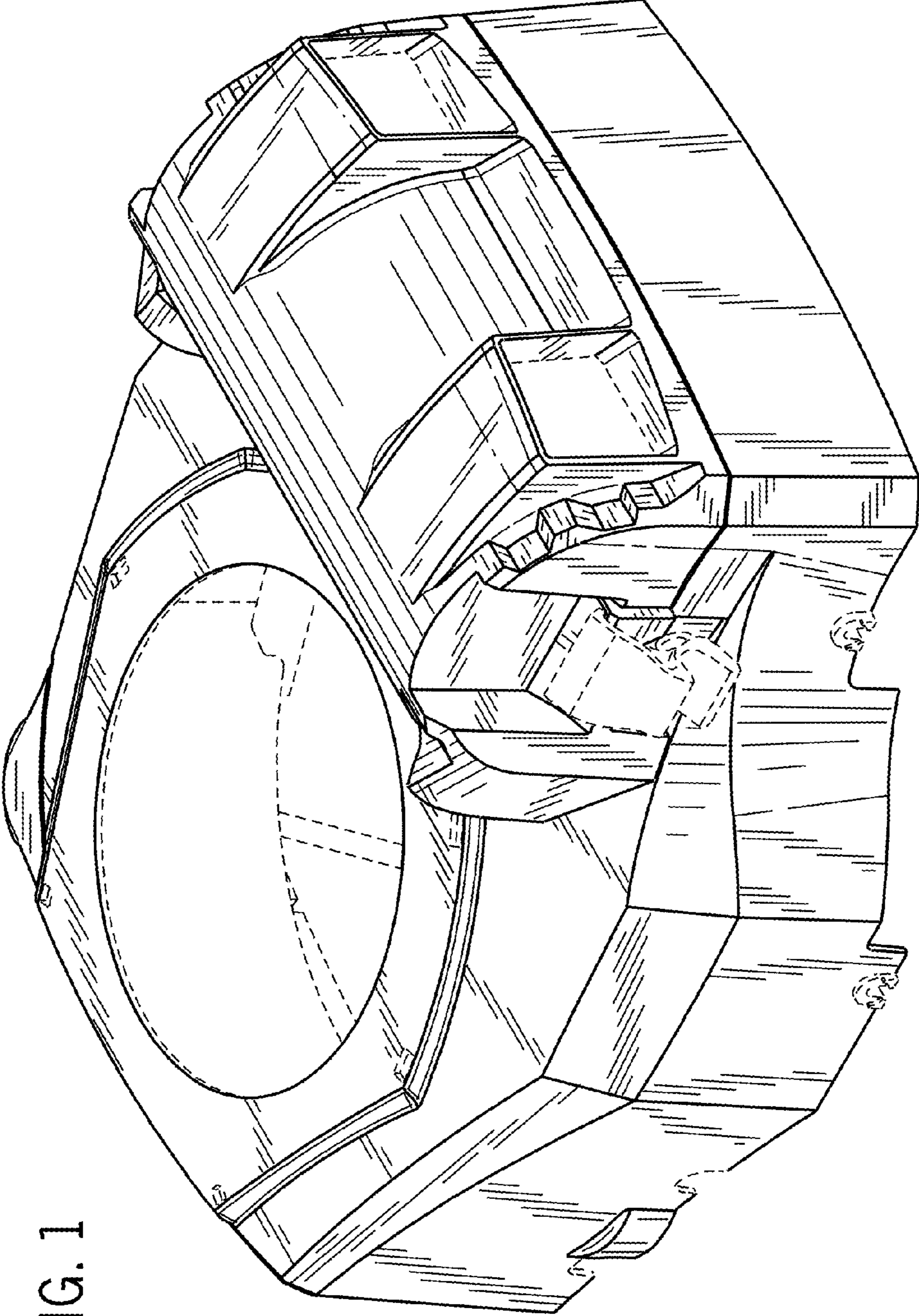


FIG. 1

FIG. 2

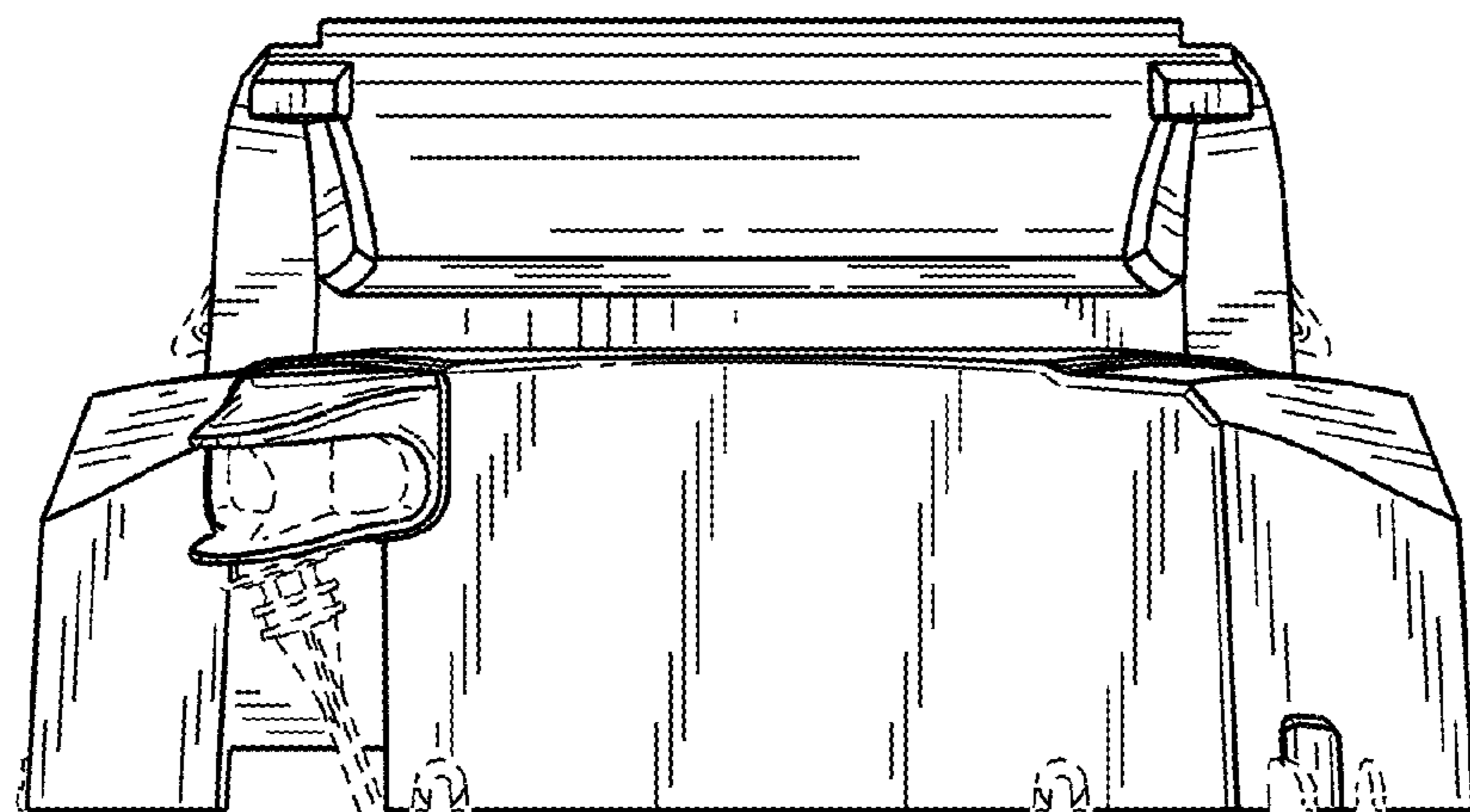
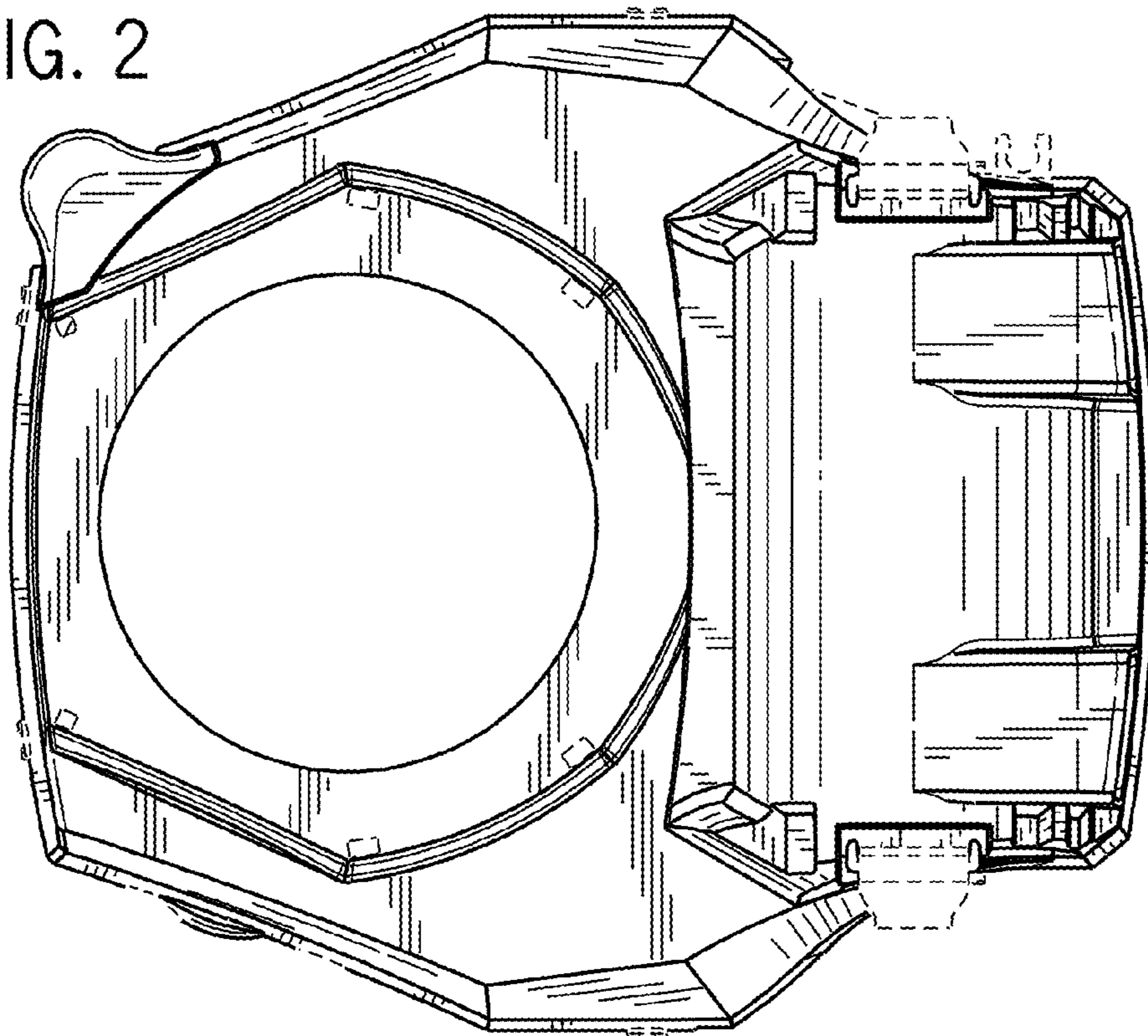


FIG. 3

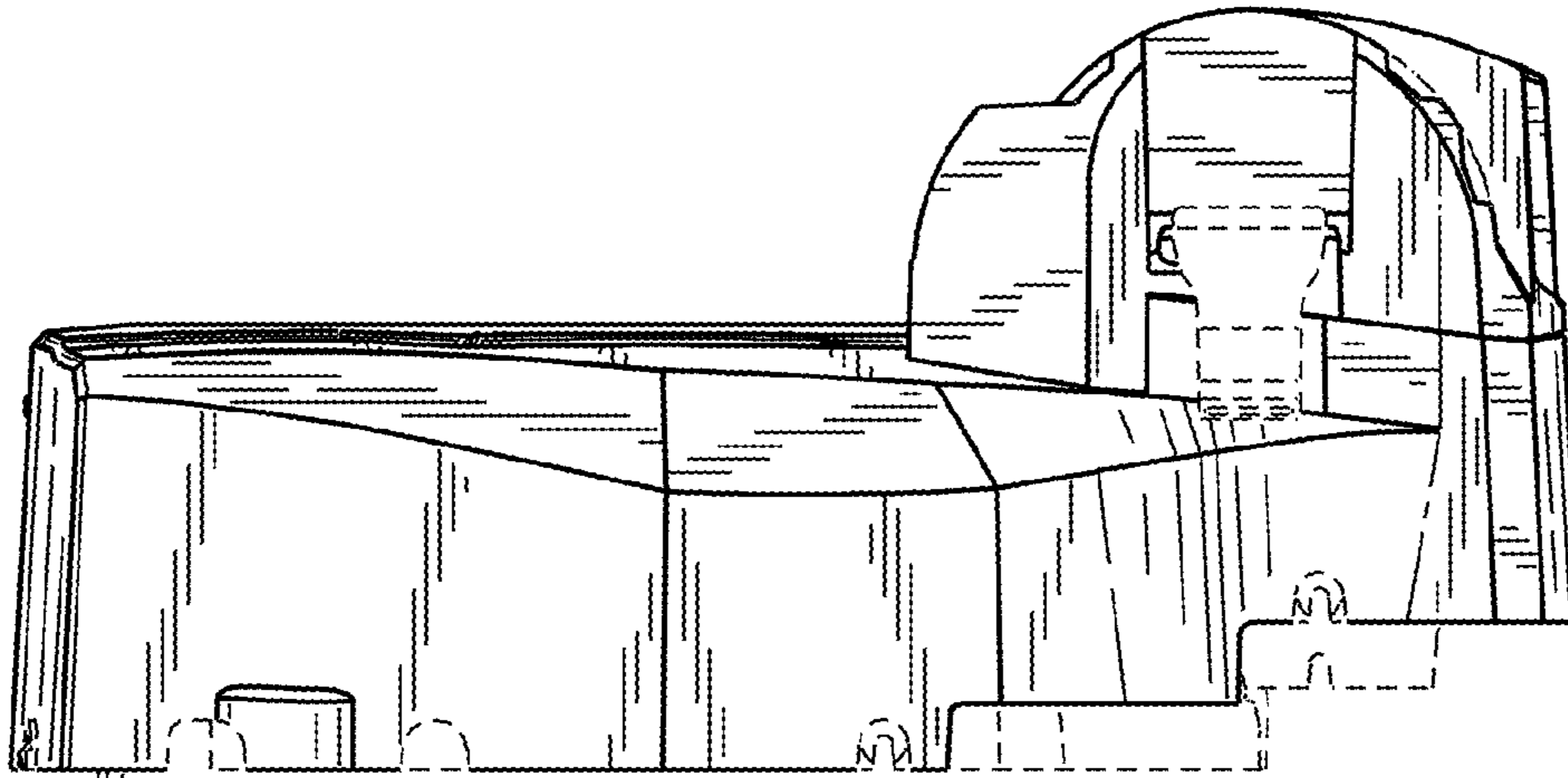


FIG. 4

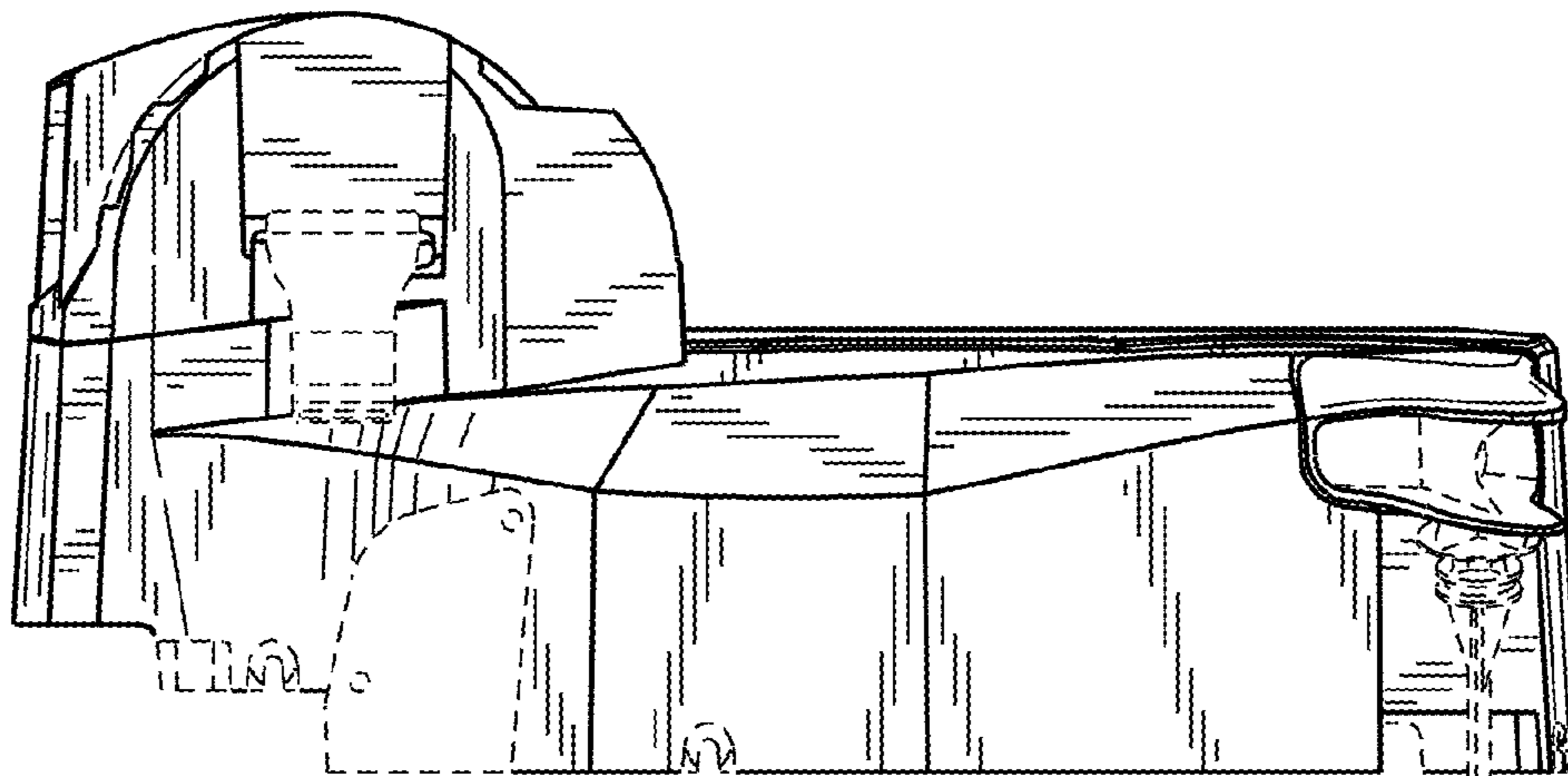


FIG. 5

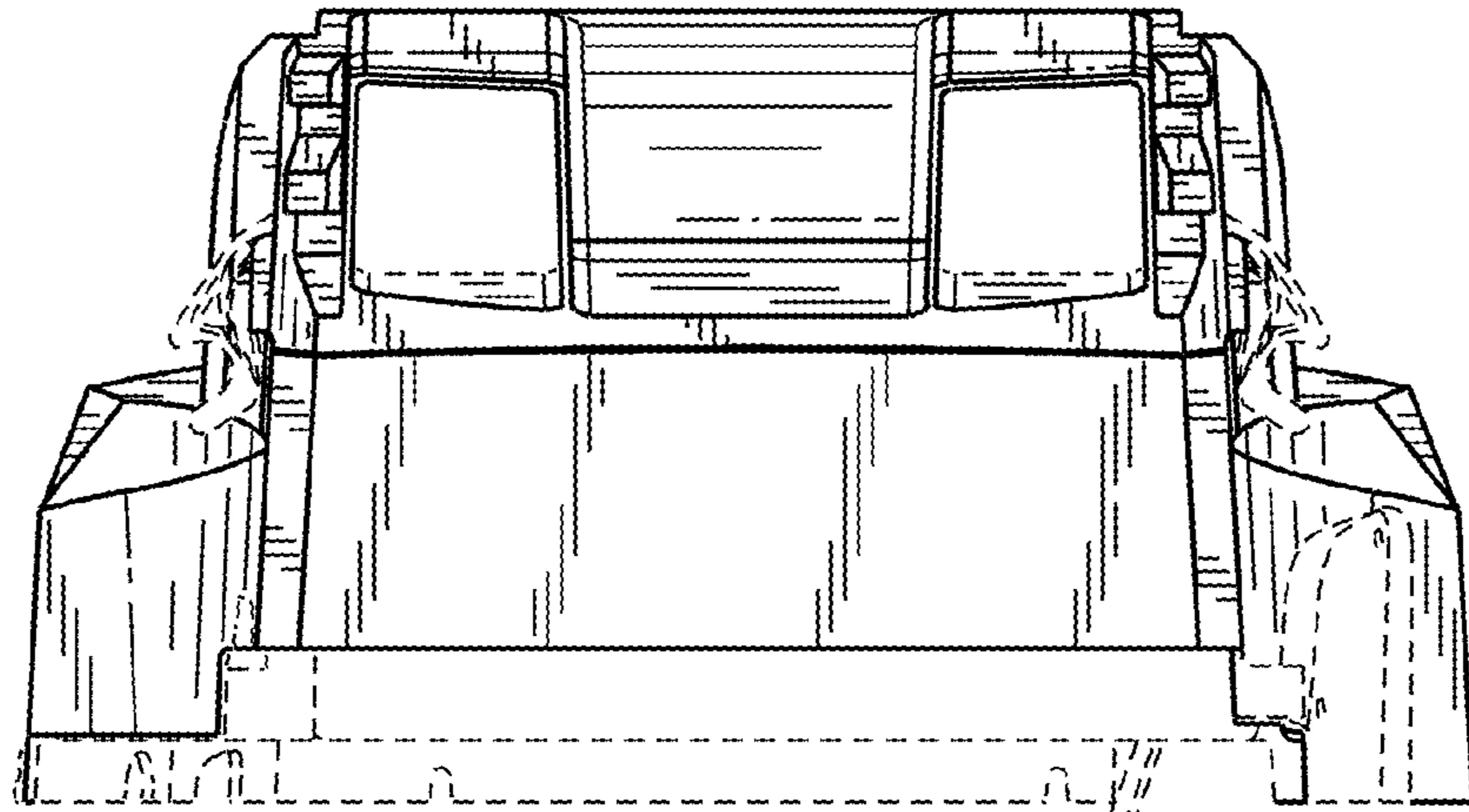


FIG. 6

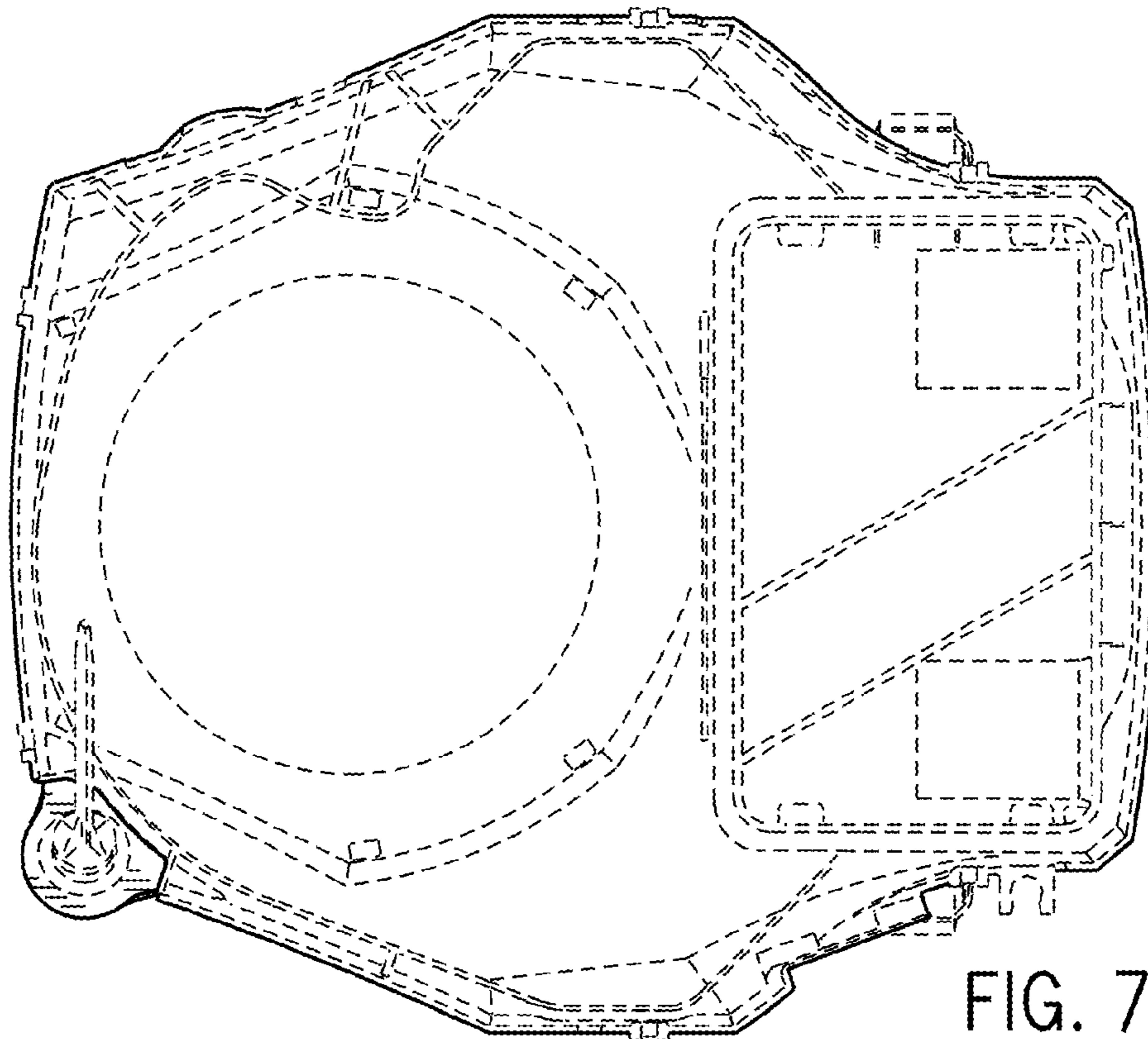


FIG. 7

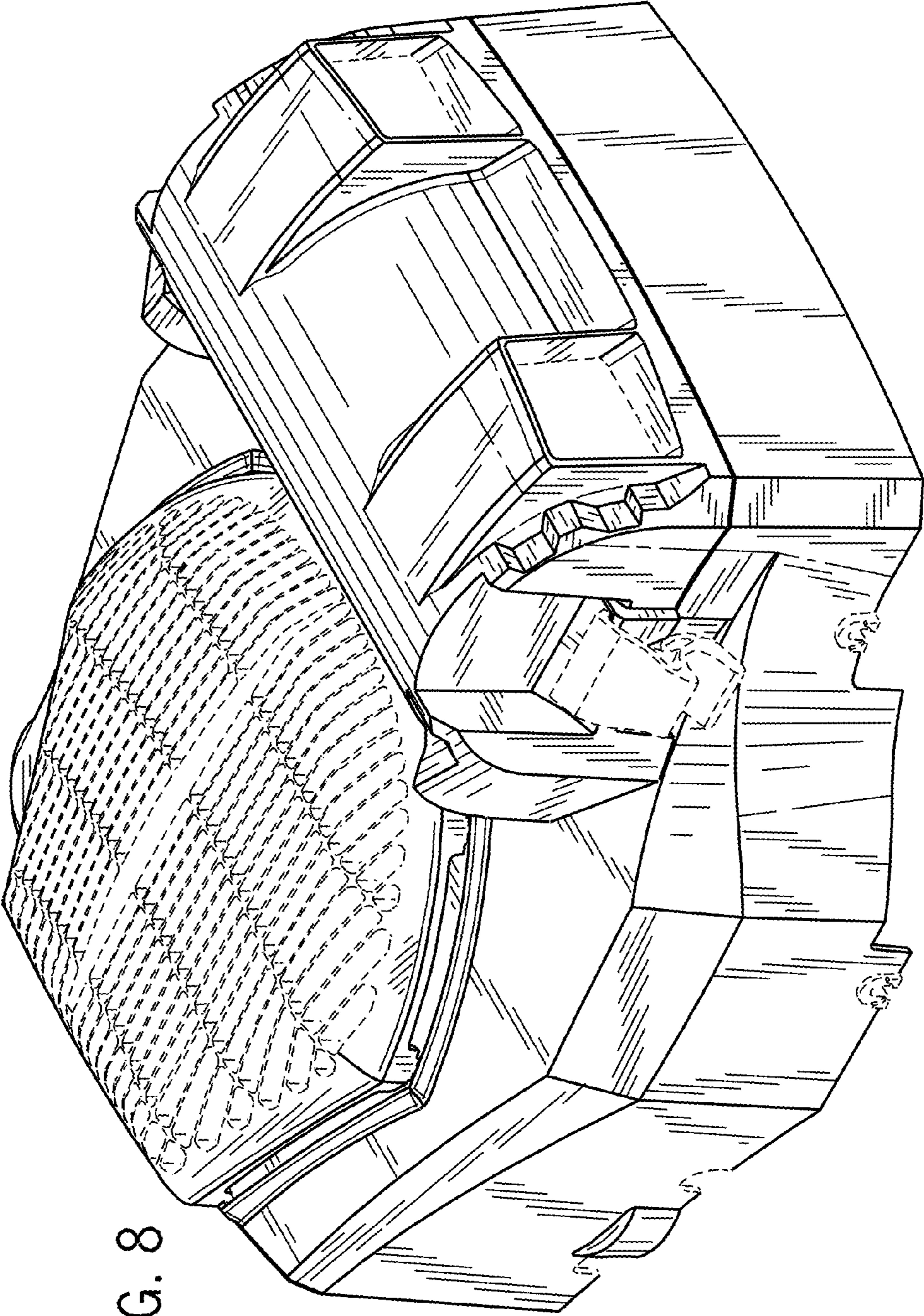


FIG. 8

FIG. 9

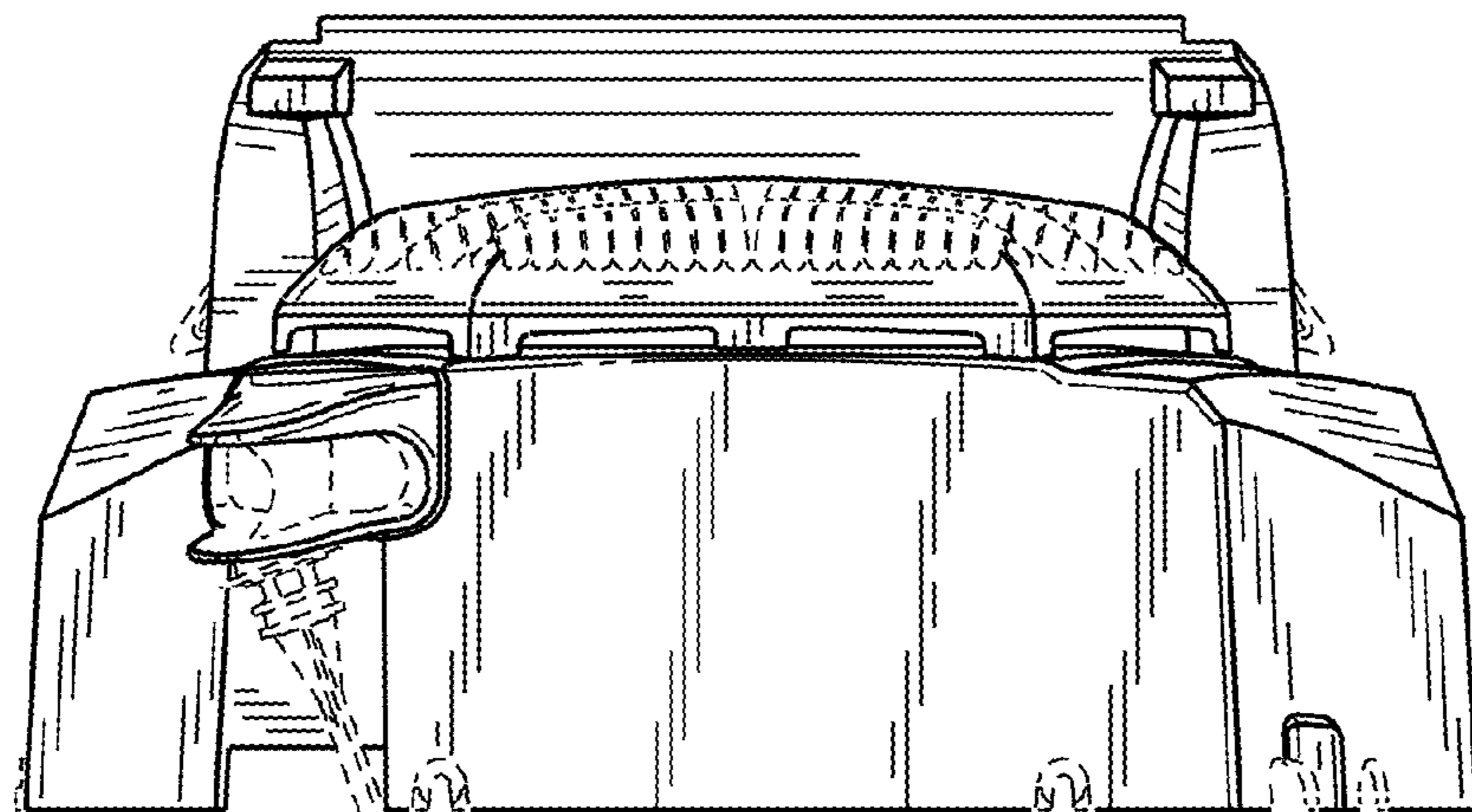
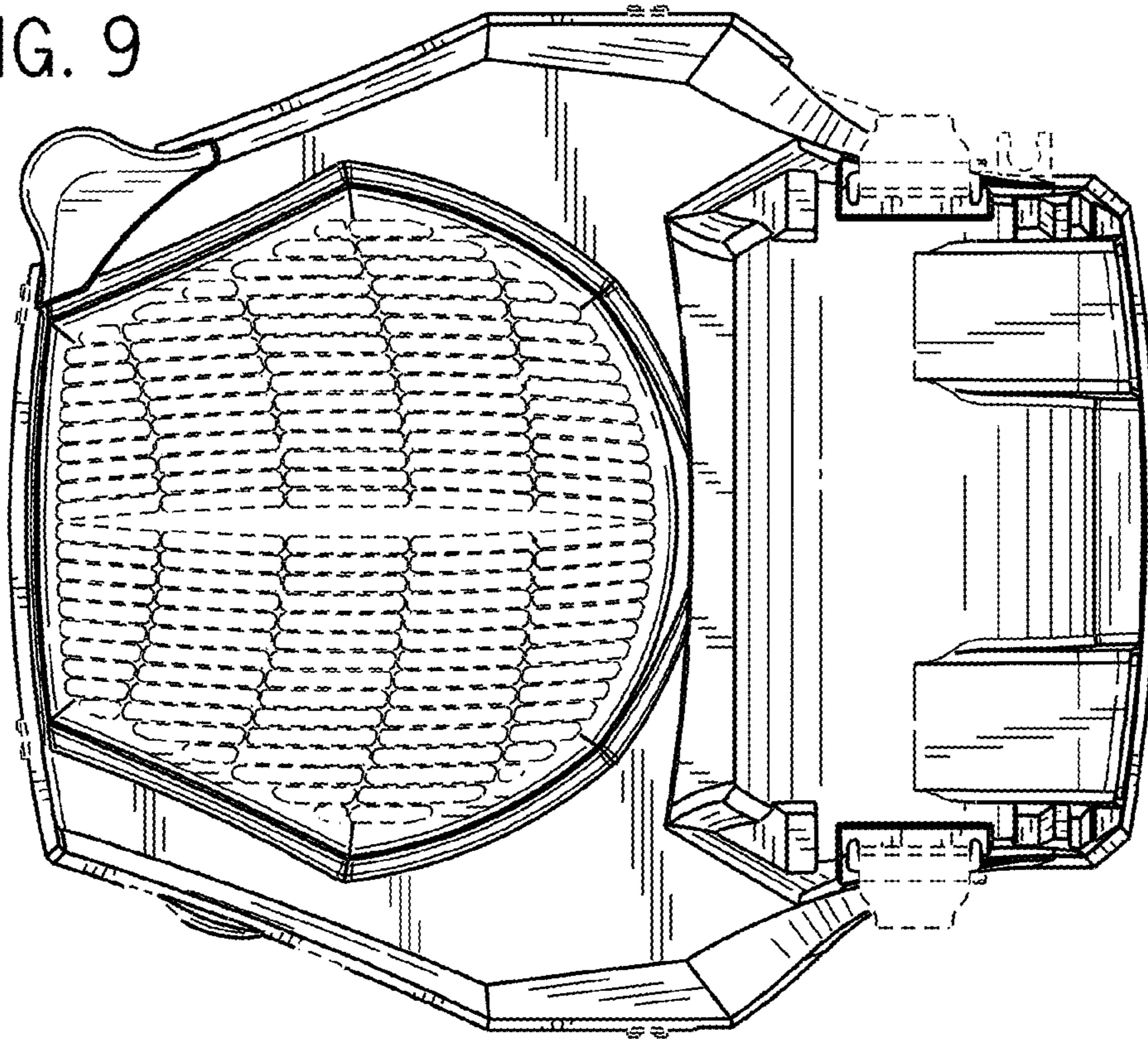


FIG. 10

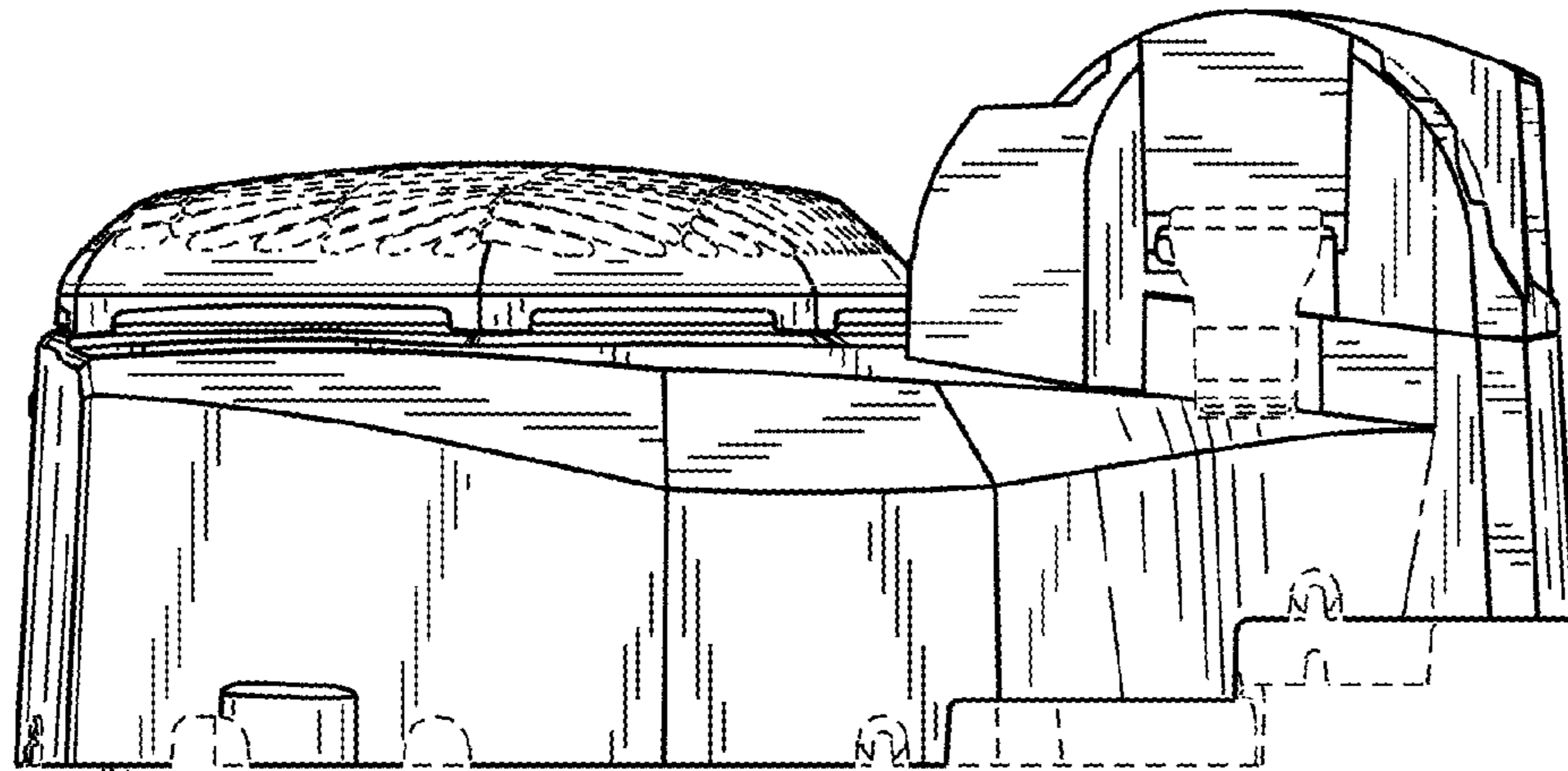


FIG. 11

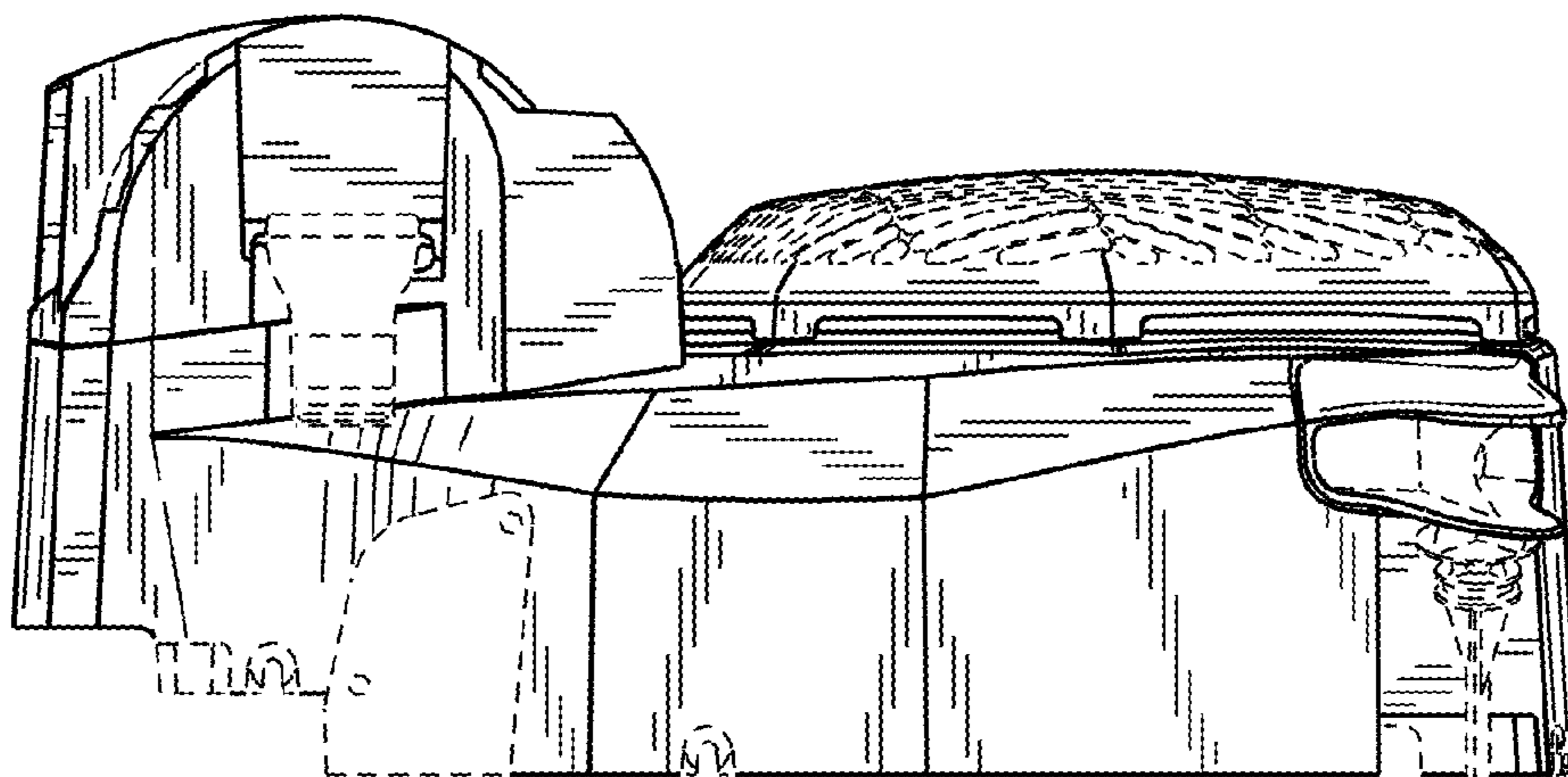


FIG. 12

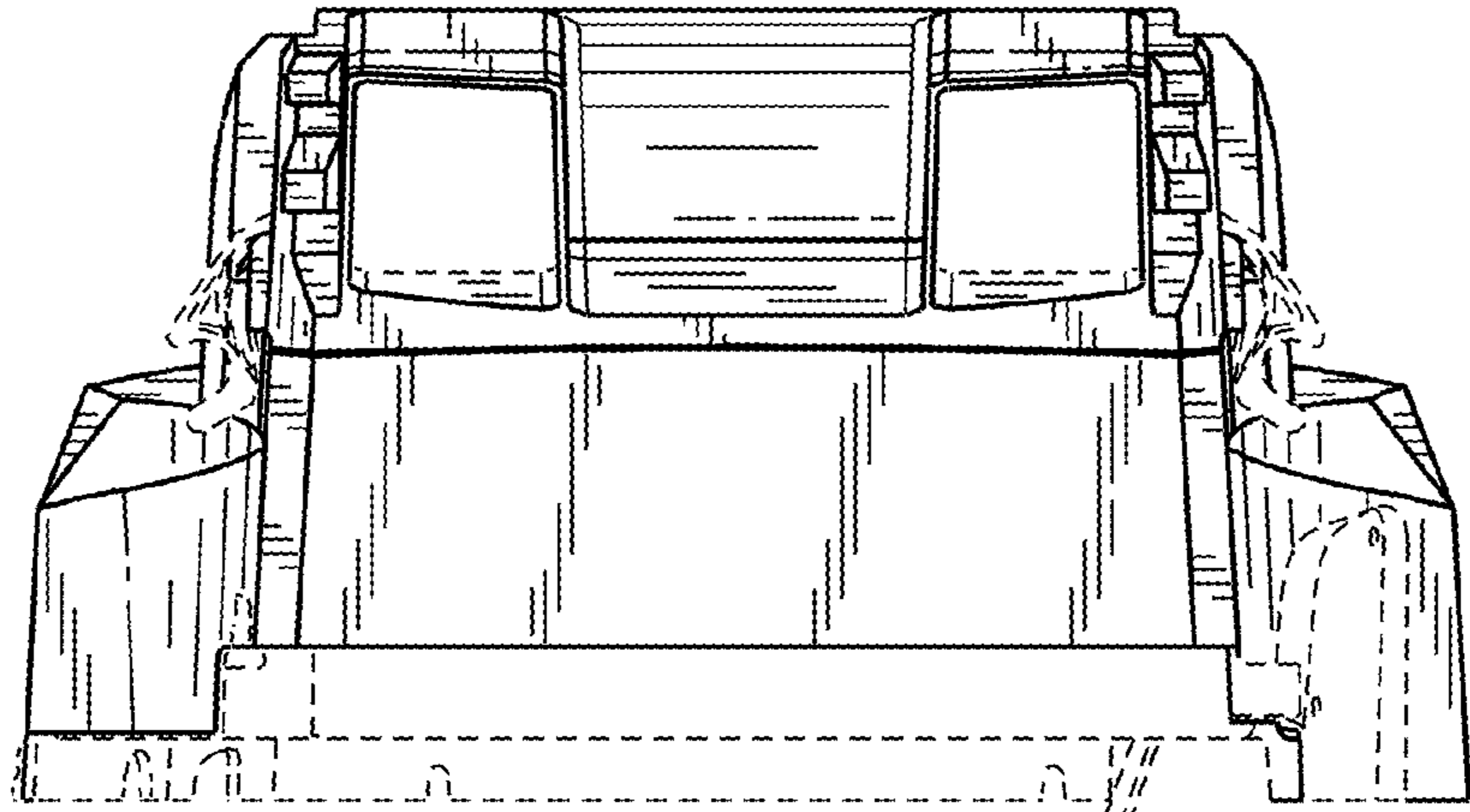


FIG. 13

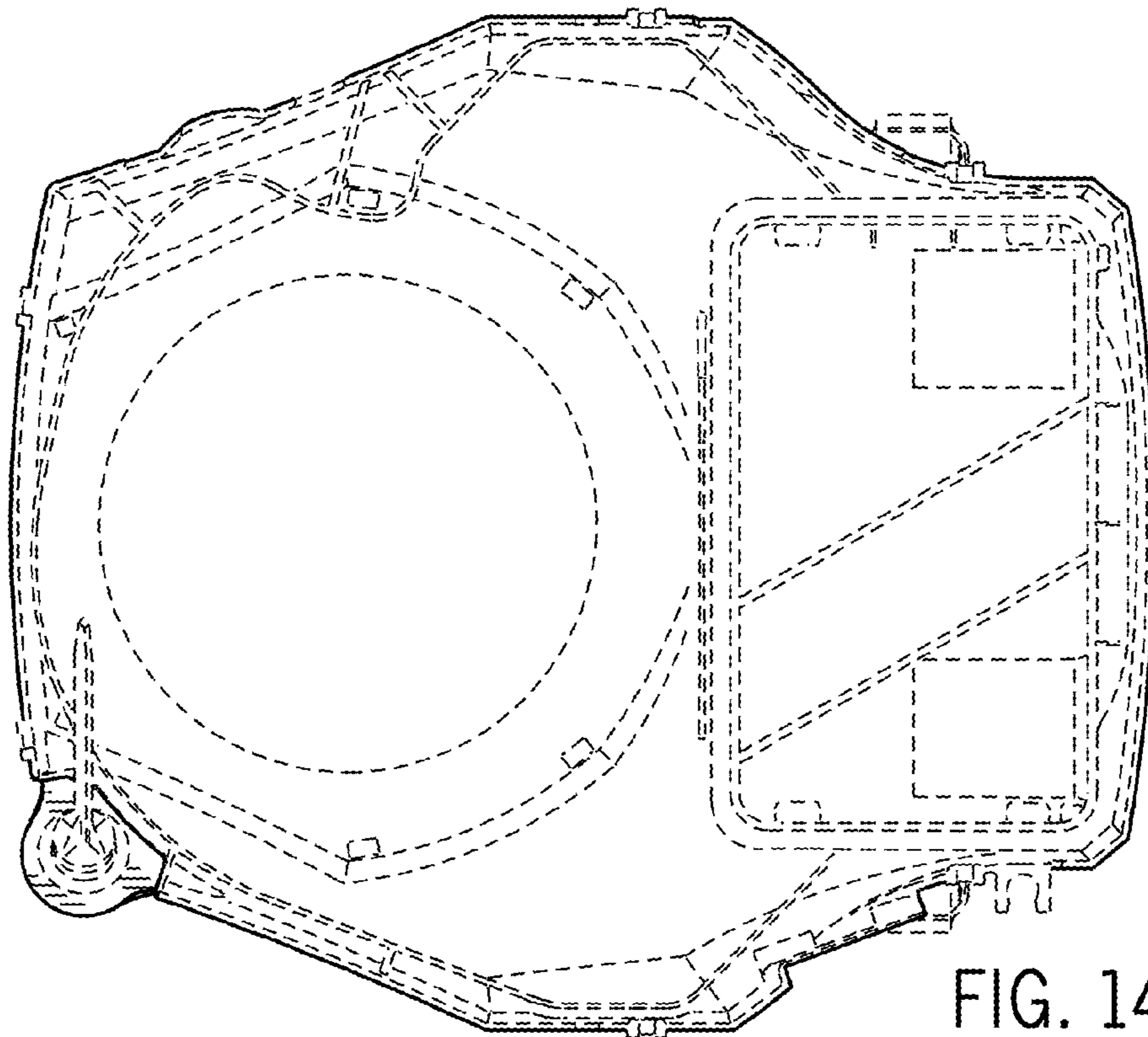


FIG. 14

UNITED STATES PATENT AND TRADEMARK OFFICE
CERTIFICATE OF CORRECTION

PATENT NO. : D735,763 S
APPLICATION NO. : 29/438837
DATED : August 4, 2015
INVENTOR(S) : Travis J. Andren et al.

Page 1 of 5

It is certified that error appears in the above-identified patent and that said Letters Patent is hereby corrected as shown below:

In the Drawings

Delete Drawing Sheets 5-8, and replace with new Drawing Sheets 5-8. (attached)

Signed and Sealed this
Second Day of February, 2016



Michelle K. Lee
Director of the United States Patent and Trademark Office

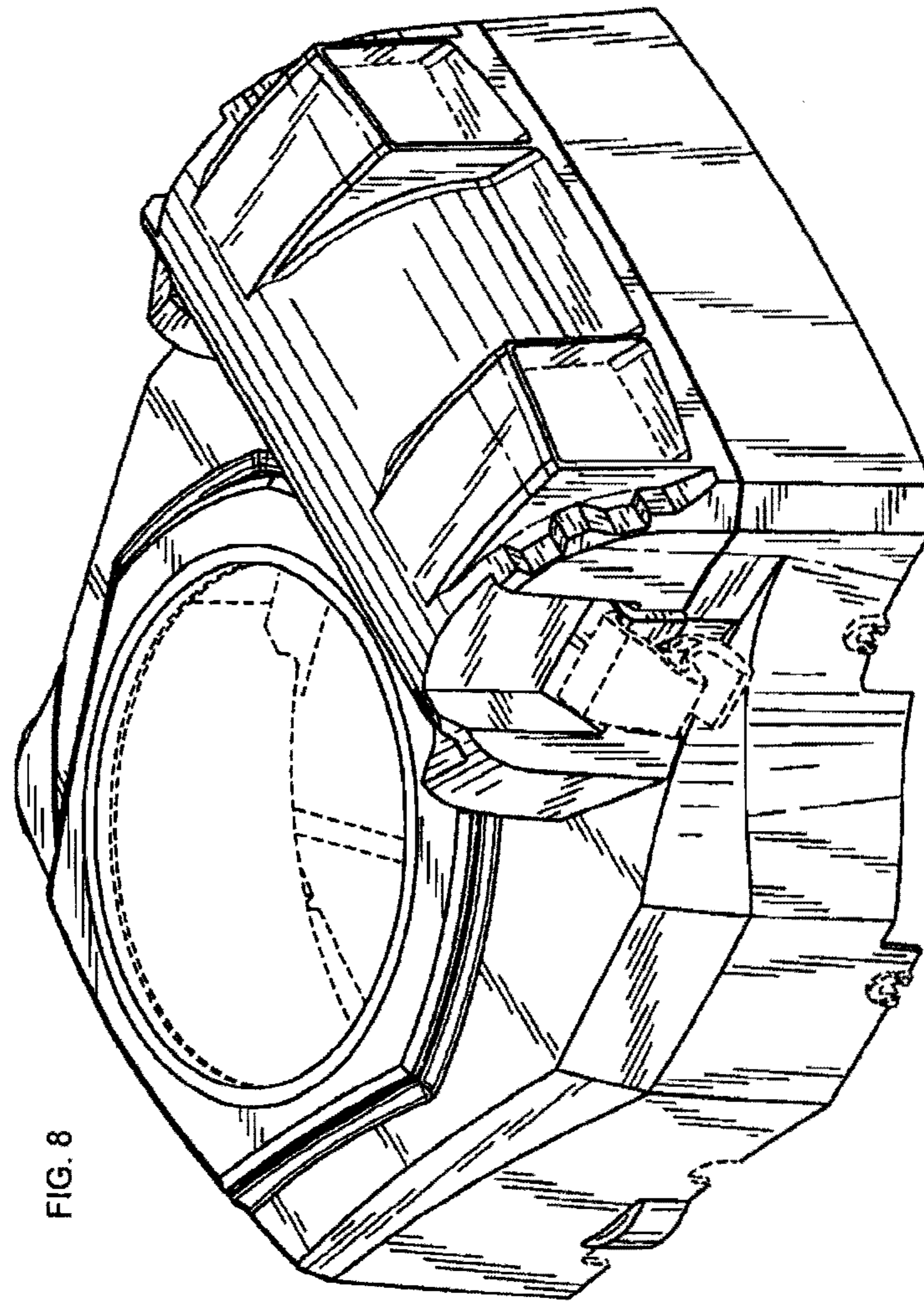


FIG. 8

FIG. 9

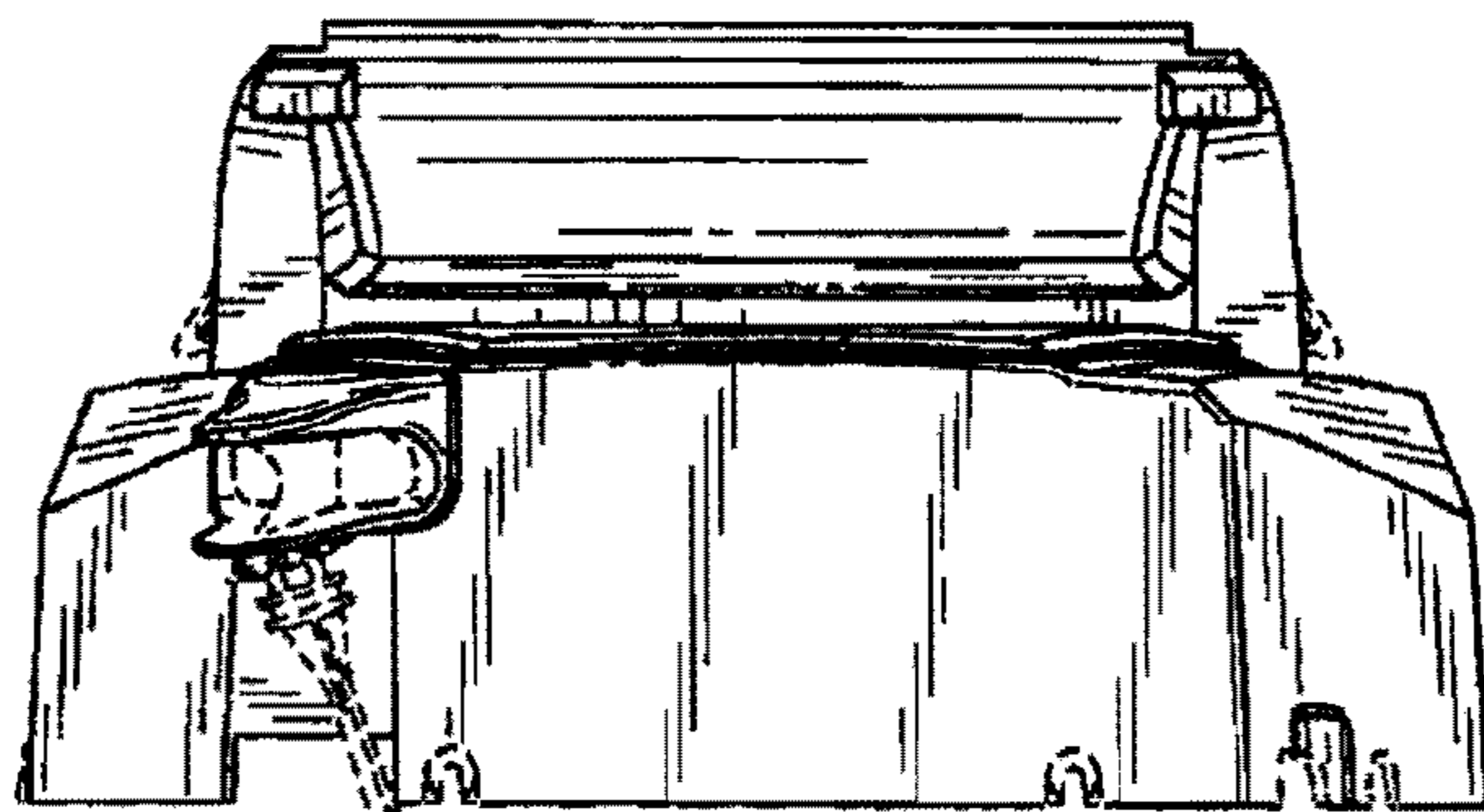
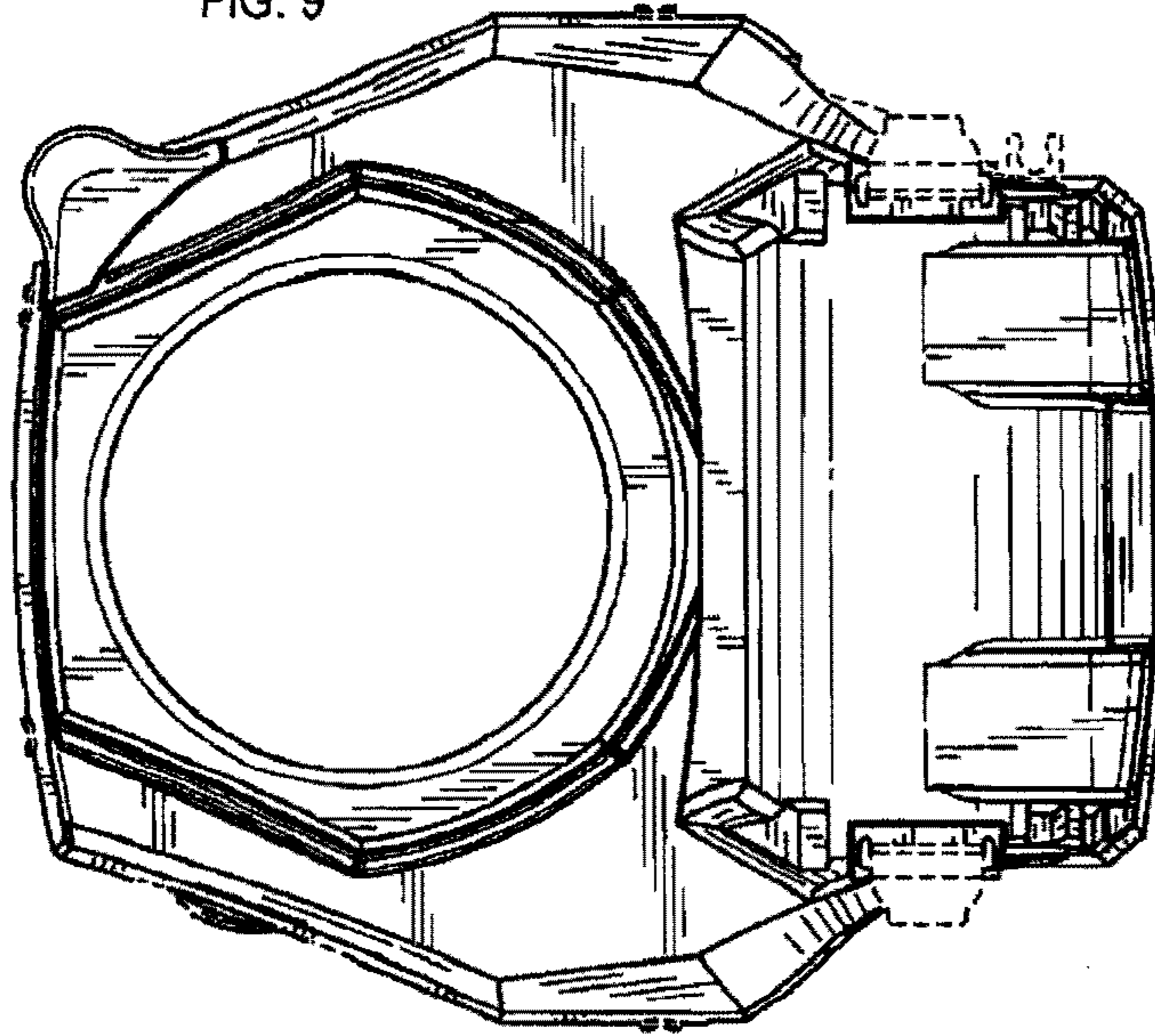


FIG. 10

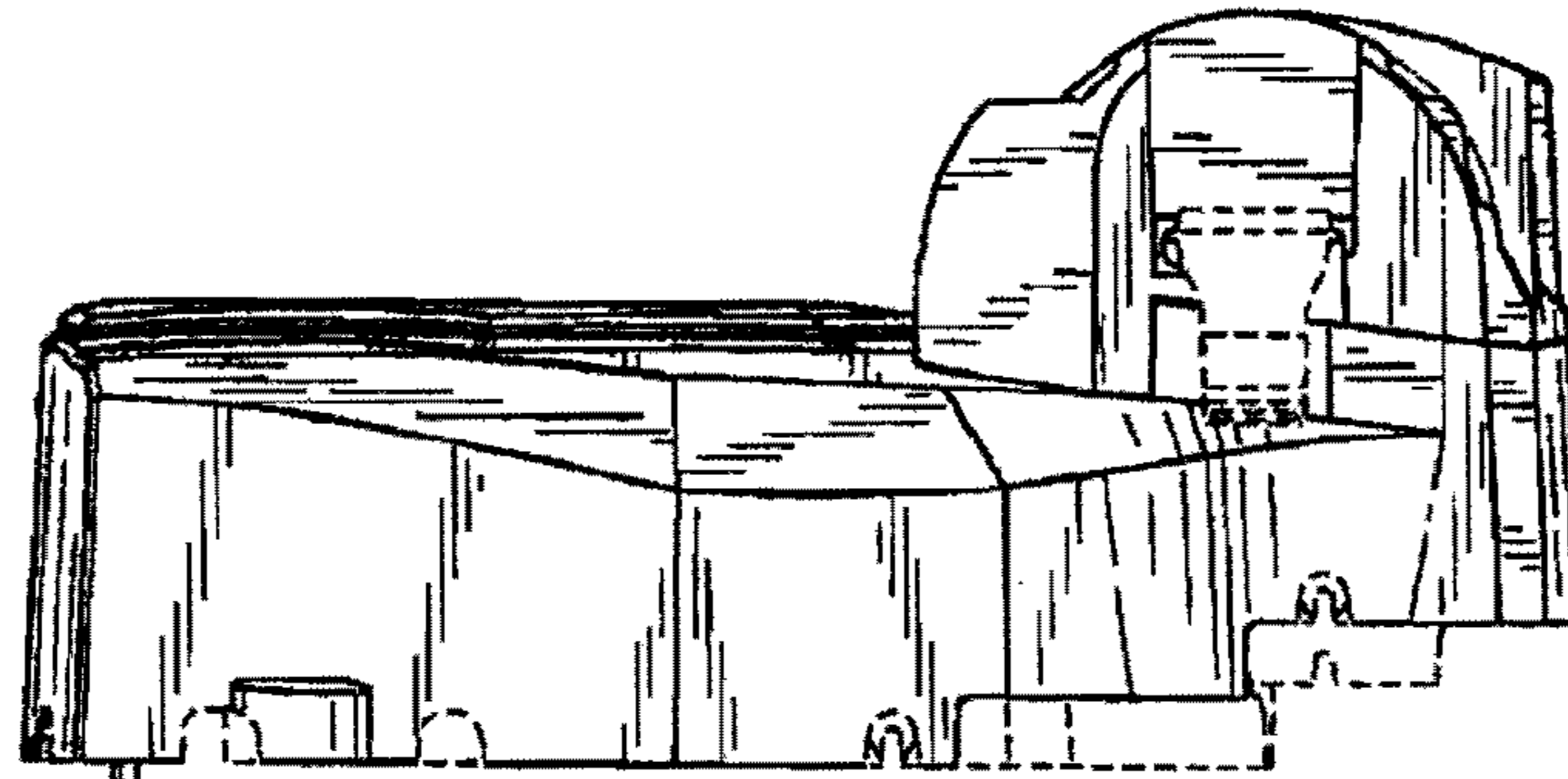


FIG. 11

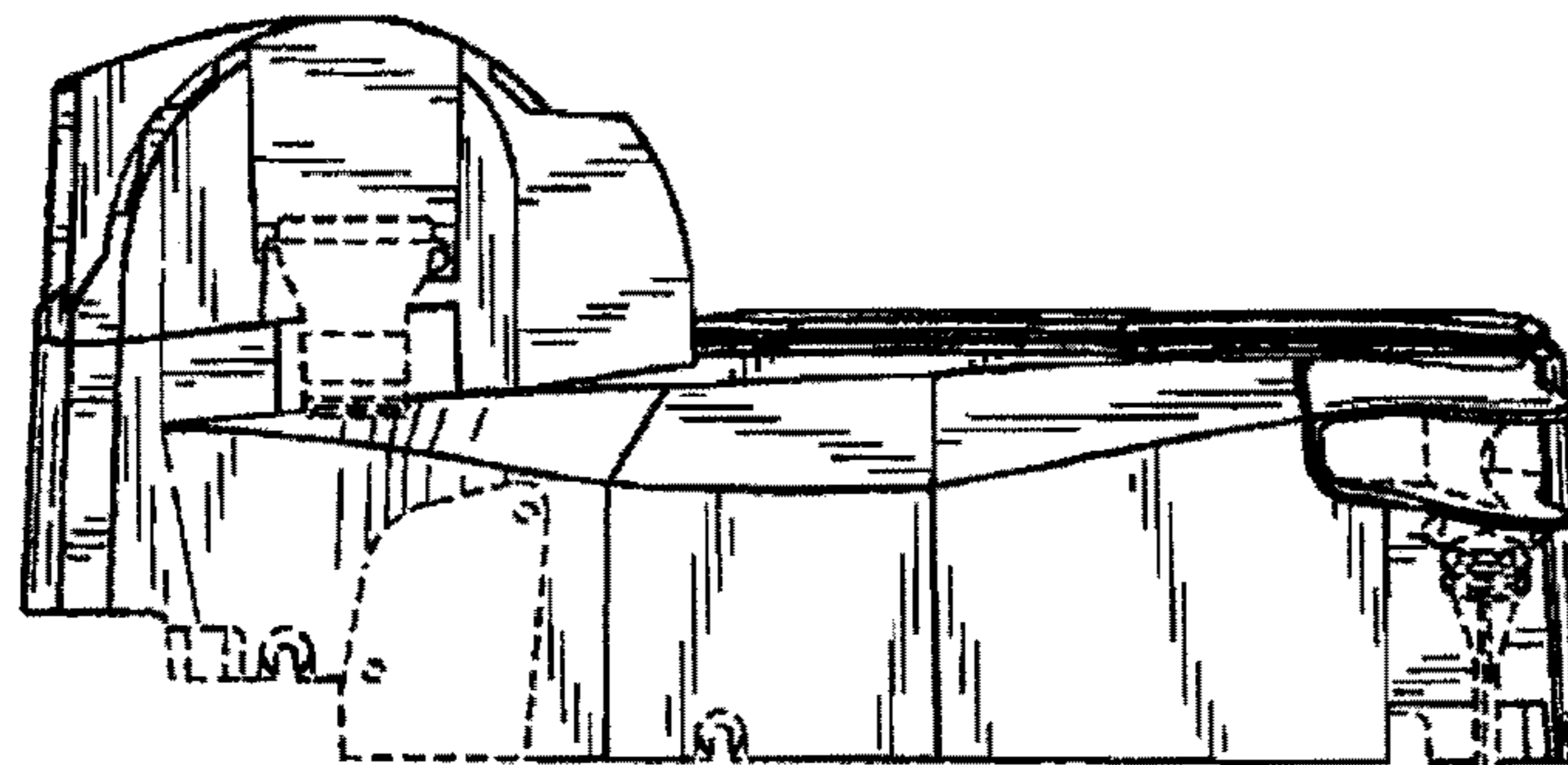


FIG. 12

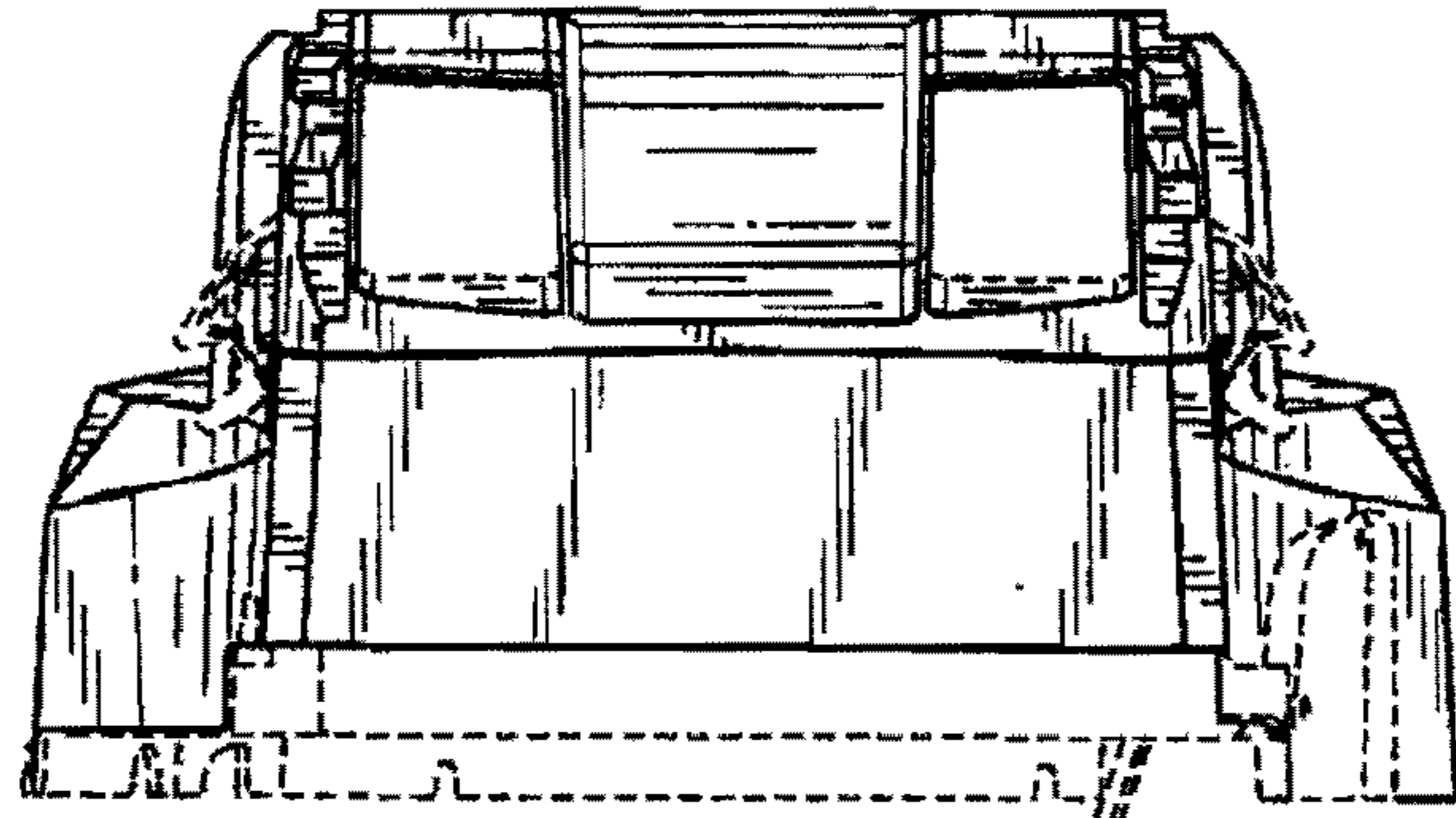


FIG. 13

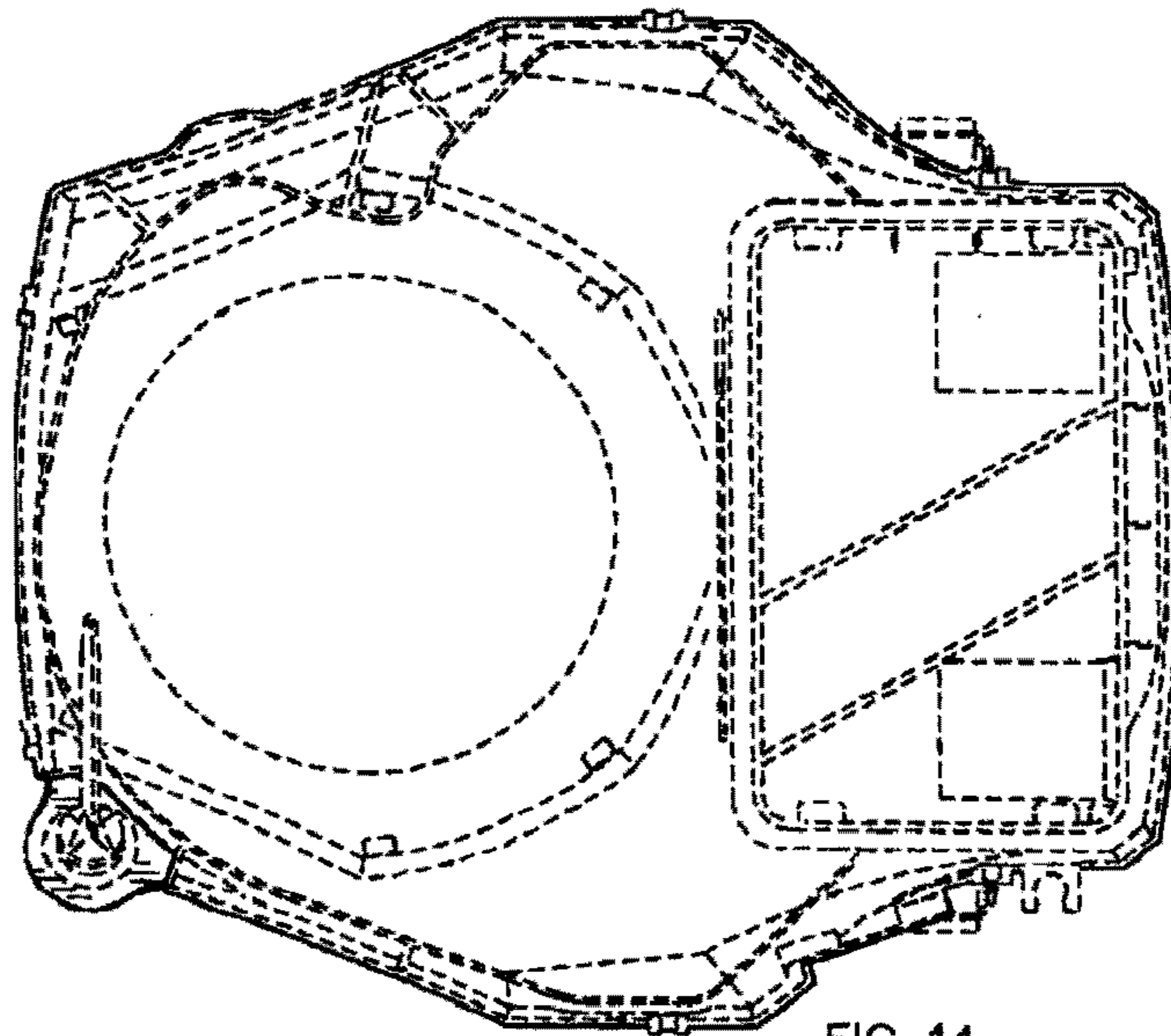


FIG. 14