



US00D735762S

(12) **United States Design Patent**
Andren et al.

(10) **Patent No.:** **US D735,762 S**
(45) **Date of Patent:** **** Aug. 4, 2015**

(54) **ENGINE BLOWER HOUSING WITH LOW PROFILE AIR CLEANER**

D396,045 S 7/1998 Neeley
D396,476 S 7/1998 Shimizu
D397,342 S 8/1998 Shimizu

(71) Applicant: **Kohler Co.**, Kohler, WI (US)

(Continued)

(72) Inventors: **Travis J. Andren**, Sheboygan, WI (US);
Christopher D. Thorn, Belgium, WI (US); **Anthony P. Freund**, Fond du Lac, WI (US); **Nicholas D. Conger**, Sheboygan, WI (US); **Daniel J. Luhman**, Kohler, WI (US); **Christopher M. Rector**, Kiel, WI (US); **Michael E. Smies**, Waldo, WI (US)

OTHER PUBLICATIONS

U.S. Design Patent application for U.S. Appl. No. 29/519,704, filed Mar. 6, 2015, 6 pages.

(Continued)

(73) Assignee: **Kohler Co.**, Kohler, WI (US)

Primary Examiner — T. Chase Nelson

Assistant Examiner — Ania Aman

(74) *Attorney, Agent, or Firm* — Whyte Hirschboeck Dudek S.C.

(**) Term: **14 Years**

(57) **CLAIM**

An ornamental design for an engine blower housing with low profile air cleaner, as shown and described.

(21) Appl. No.: **29/438,836**

DESCRIPTION

(22) Filed: **Dec. 4, 2012**

(51) **LOC (10) Cl.** **15-01**

(52) **U.S. Cl.**
USPC **D15/5**

(58) **Field of Classification Search**
USPC D15/1-6, 14, 17, 149; 123/22, 41, 34, 123/51 A, 606 R, 52.1, 50 A, 50 B, 54.1, 123/54.2, 54.4, 54.5, 65 R, 195 R, 195 HC, 123/657, 311; D32/26
CPC F02B 2075/027; F02B 75/20; F02B 75/22; F02B 2075/1816; F02B 2275/20; F02B 77/13; F02B 2075/025; F02B 2075/1808; F02B 2275/18; F02B 63/04; F02B 77/00; F01P 5/06; F01P 11/10; F02F 7/0039

FIG. 1 is a perspective view of a first embodiment of an engine blower housing with low profile air cleaner showing our new design;

FIG. 2 is a top view thereof;

FIG. 3 is a rear view thereof;

FIG. 4 is a right side view thereof;

FIG. 5 is a left side view thereof;

FIG. 6 is a front view thereof;

FIG. 7 is a bottom view thereof;

FIG. 8 is a perspective view of a second embodiment thereof;

FIG. 9 is a top view thereof;

FIG. 10 is a rear view thereof;

FIG. 11 is a right side view thereof;

FIG. 12 is a left side view thereof;

FIG. 13 is a front view thereof; and,

FIG. 14 is a bottom view thereof.

The broken lines showing in the figures are for purposes of illustrating portions of the engine blower housing with low profile air cleaner (or associated components) only and form no part of the claimed design.

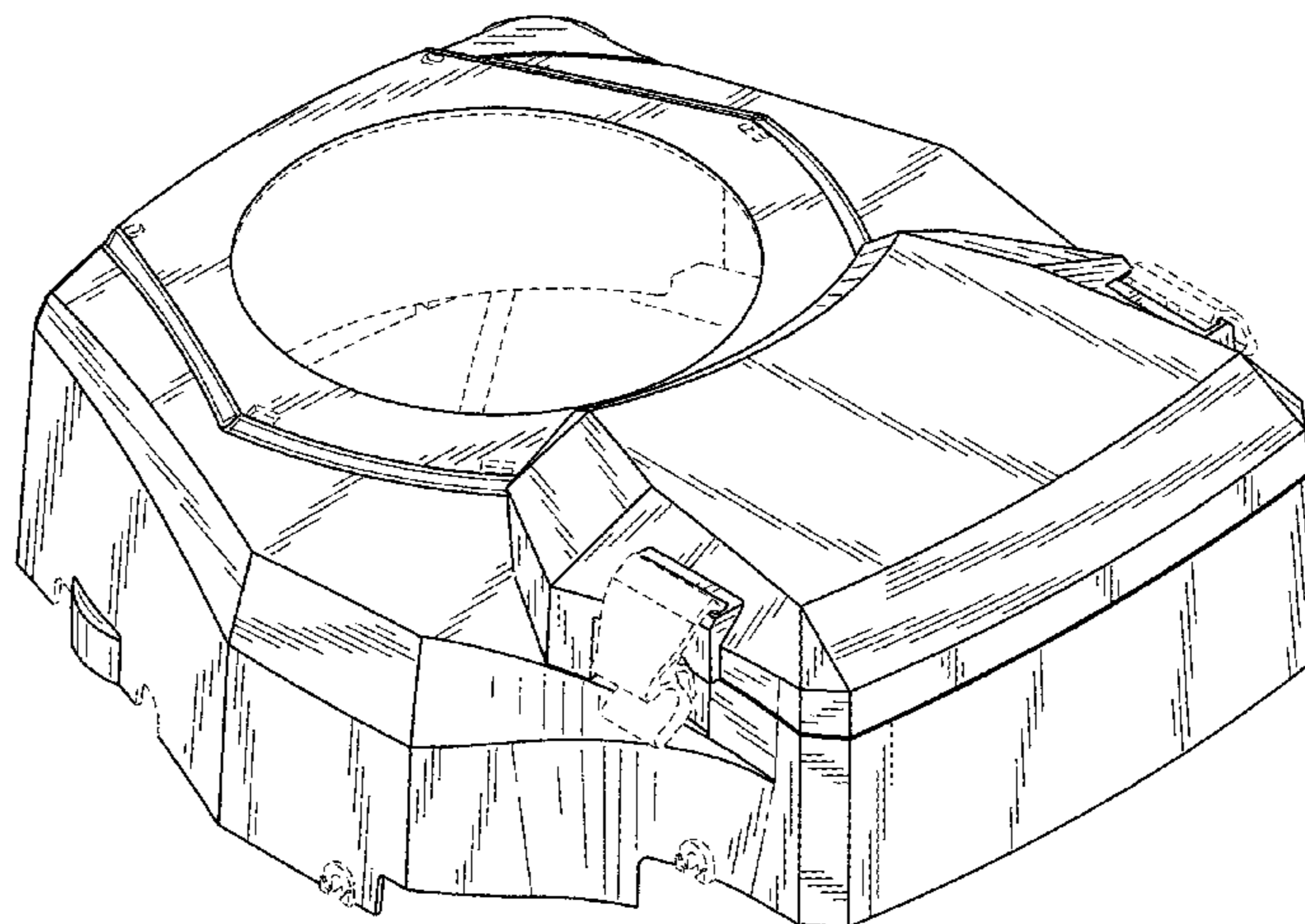
See application file for complete search history.

(56) **References Cited**

U.S. PATENT DOCUMENTS

D330,897 S 11/1992 Carlson et al.
D352,042 S 11/1994 Davies, III
D352,043 S 11/1994 Davies, III

1 Claim, 8 Drawing Sheets



(56)

References Cited

U.S. PATENT DOCUMENTS

D466,905	S	12/2002	Neeley et al.	
D468,751	S	1/2003	Neeley et al.	
D471,560	S	3/2003	Davis	
D484,889	S	1/2004	Neeley et al.	
D487,751	S	3/2004	Neeley et al.	
D491,192	S	6/2004	Davis	
D491,193	S	6/2004	Davis	
D513,012	S	12/2005	Strandell et al.	
D513,754	S	1/2006	Strandell et al.	
D525,991	S	8/2006	Walters	
D527,022	S	8/2006	Walters	
D527,741	S	9/2006	Vervoorn	
D538,823	S	3/2007	Vervoorn	
D548,750	S *	8/2007	Neeley et al.	D15/5
D553,645	S	10/2007	Drew et al.	
D572,271	S *	7/2008	Maeda	D15/1
D583,831	S	12/2008	Post et al.	
D594,878	S *	6/2009	Post et al.	D15/5
D598,471	S *	8/2009	Wang et al.	D15/1
D667,464	S *	9/2012	Tiefenthaler	D15/5
D671,959	S	12/2012	Burey et al.	
D691,177	S *	10/2013	Tiefenthaler	D15/5
D708,645	S *	7/2014	Sarder et al.	D15/5
2006/0169256	A1 *	8/2006	Lavender et al.	123/559.1
2014/0271132	A1 *	9/2014	Le Roy et al.	415/119

OTHER PUBLICATIONS

U.S. Design Patent application for U.S. Appl. No. 29/519,703, filed Mar. 6, 2015, 6 pages.

U.S. Design Patent application for U.S. Appl. No. 29/519,699, filed Mar. 6, 2015, 6 pages.

U.S. Design Patent application for U.S. Appl. No. 29/438,837, filed Dec. 4, 2012, 19 pages.

Restriction Requirement for U.S. Appl. No. 29/438,837 dated Nov. 13, 2014, 4 pages.

Notice of Allowance for U.S. Appl. No. 29/438,837 dated Jan. 2, 2015, 8 pages.

U.S. Design Patent application for U.S. Appl. No. 29/441,382, filed Jan. 4, 2013, 10 pages.

Restriction Requirement for U.S. Appl. No. 29/441,382 dated Nov. 19, 2014, 4 pages.

Notice of Allowance for U.S. Appl. No. 29/441,382 dated Dec. 23, 2014, 7 pages.

U.S. Design Patent application for U.S. Appl. No. 29/519,693, filed Mar. 6, 2015, 6 pages.

U.S. Design Patent application for U.S. Appl. No. 29/519,694, filed Mar. 6, 2015, 6 pages.

U.S. Design Patent application for U.S. Appl. No. 29/519,698, filed Mar. 6, 2015, 6 pages.

* cited by examiner

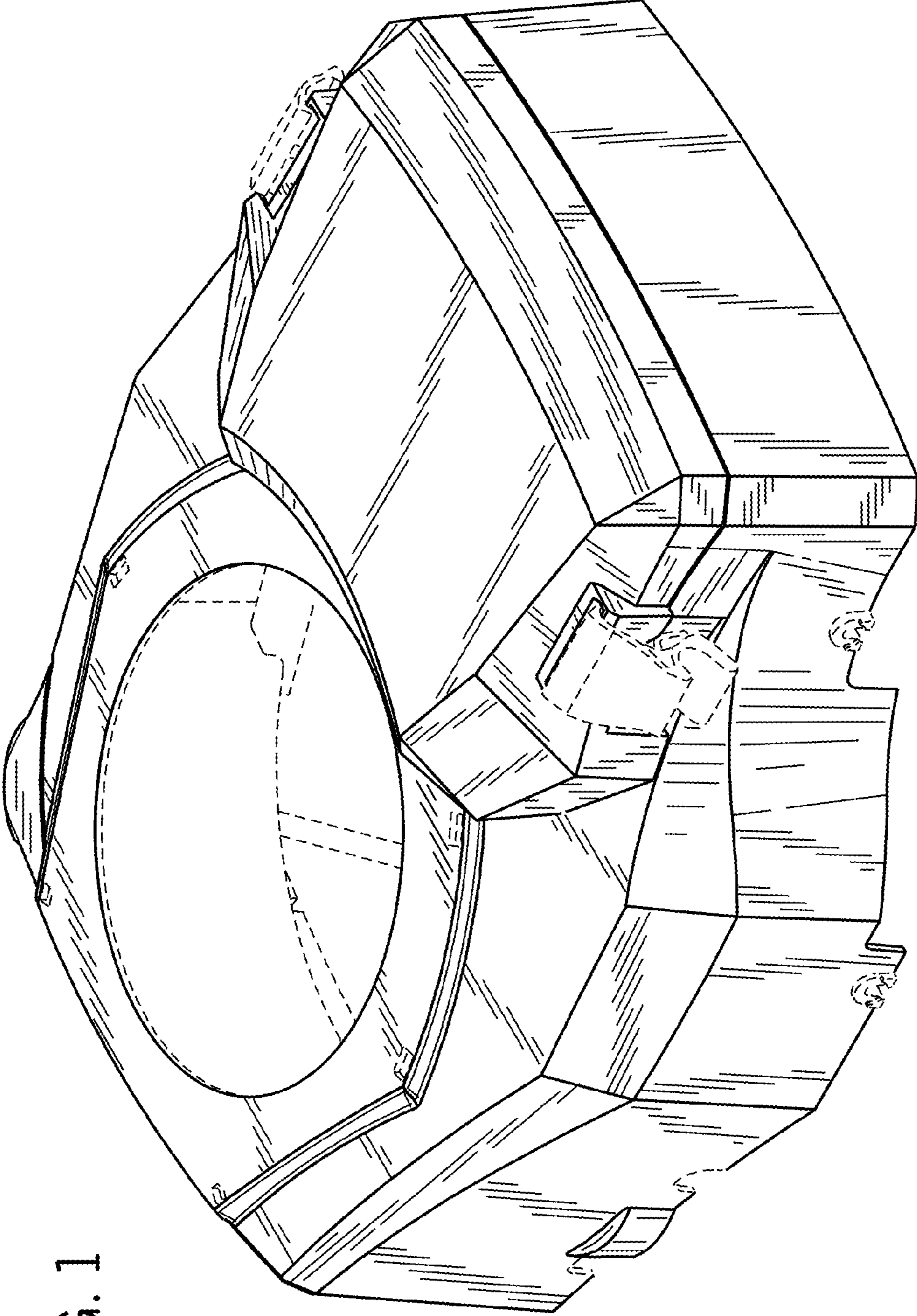


FIG. 1

FIG. 2

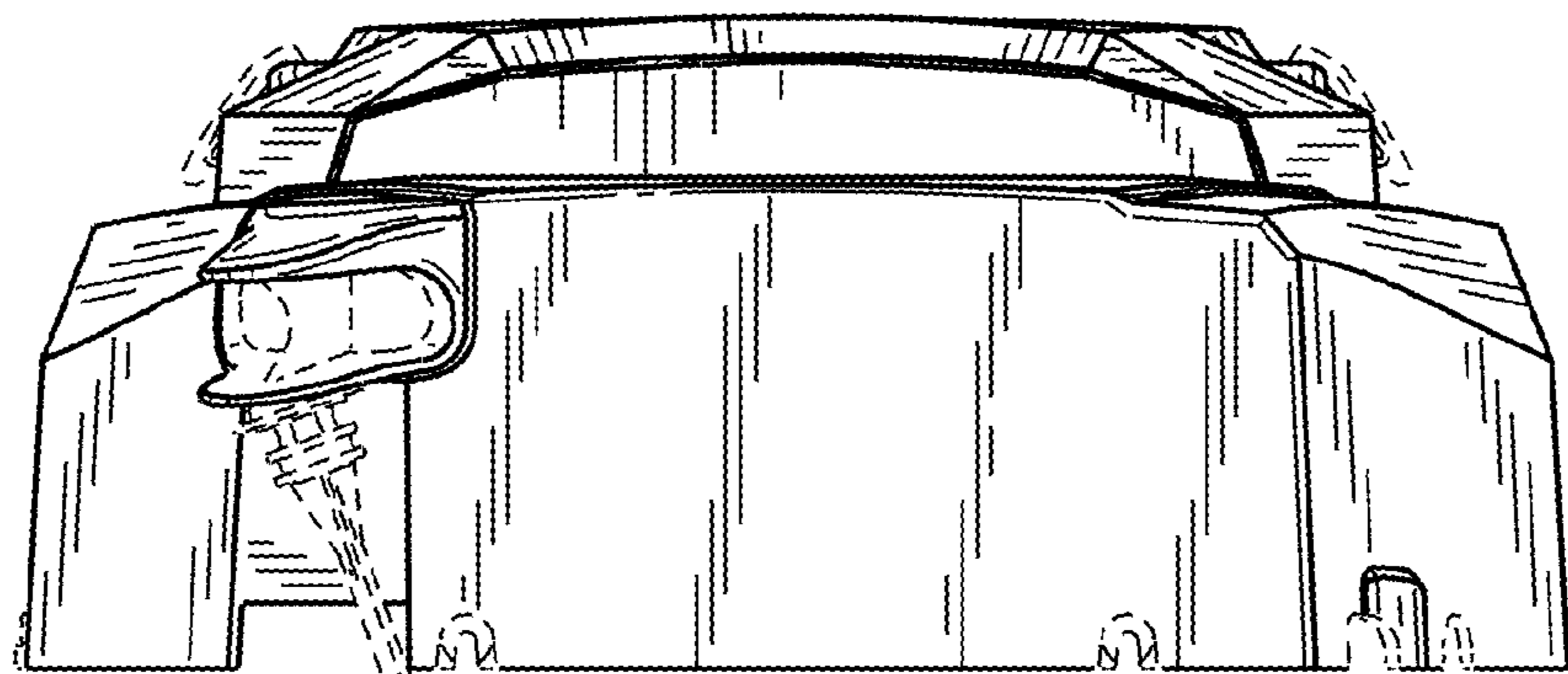
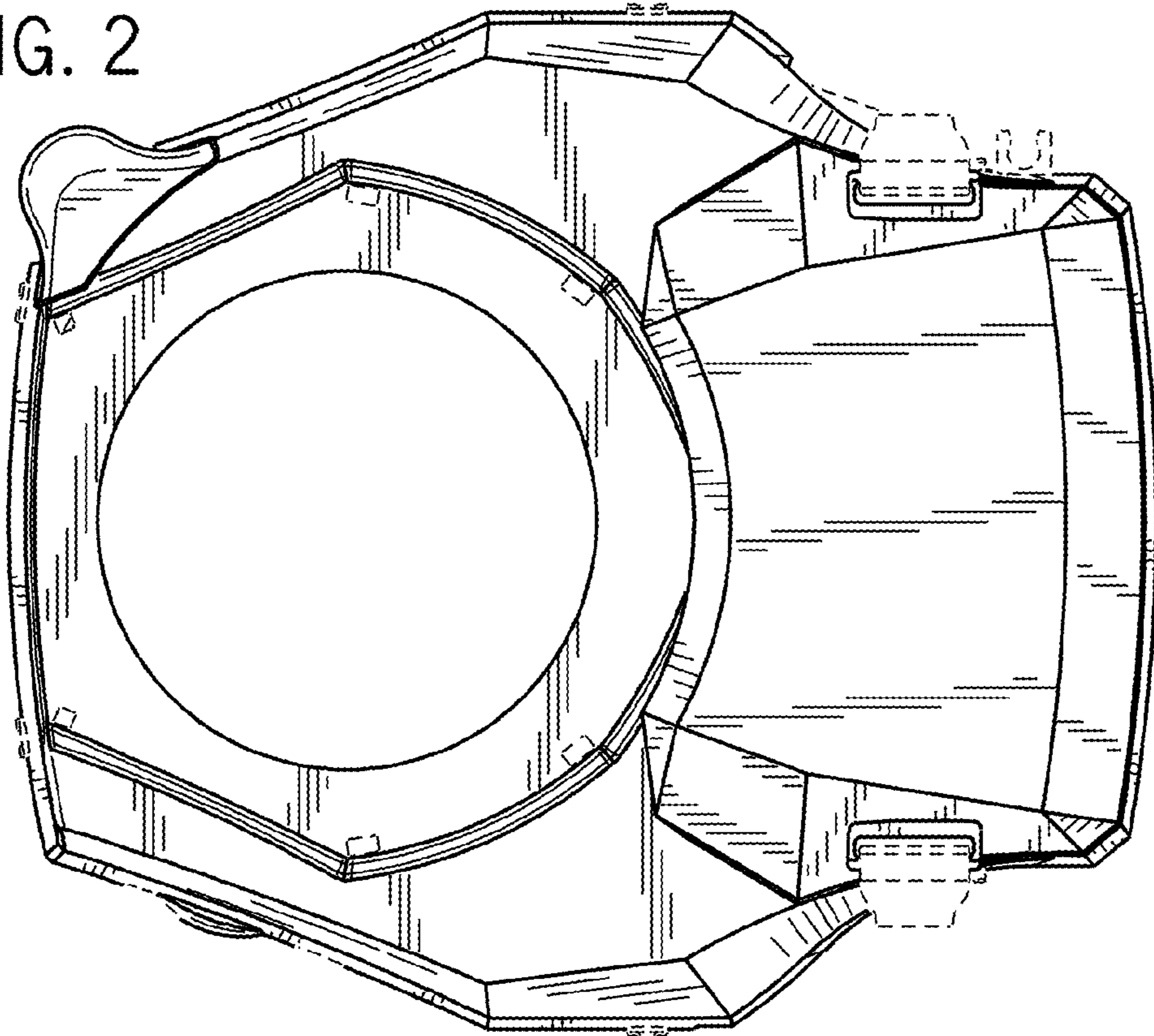


FIG. 3

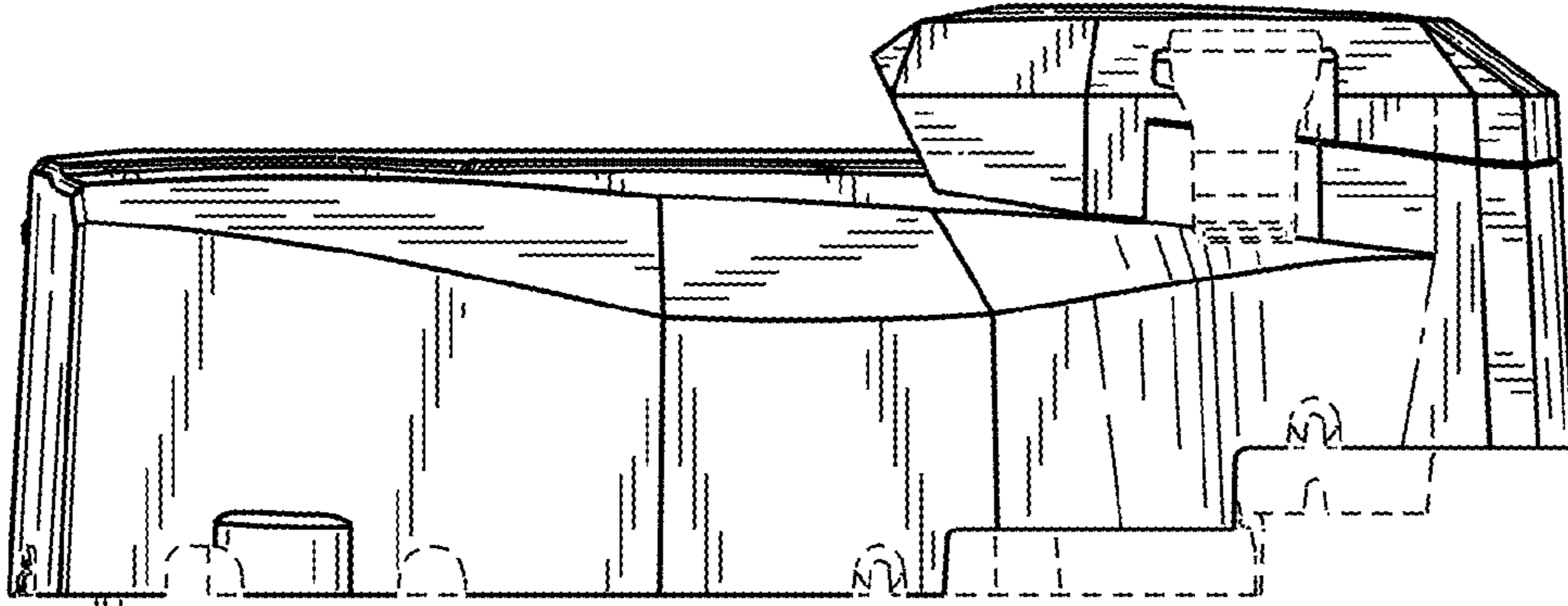


FIG. 4

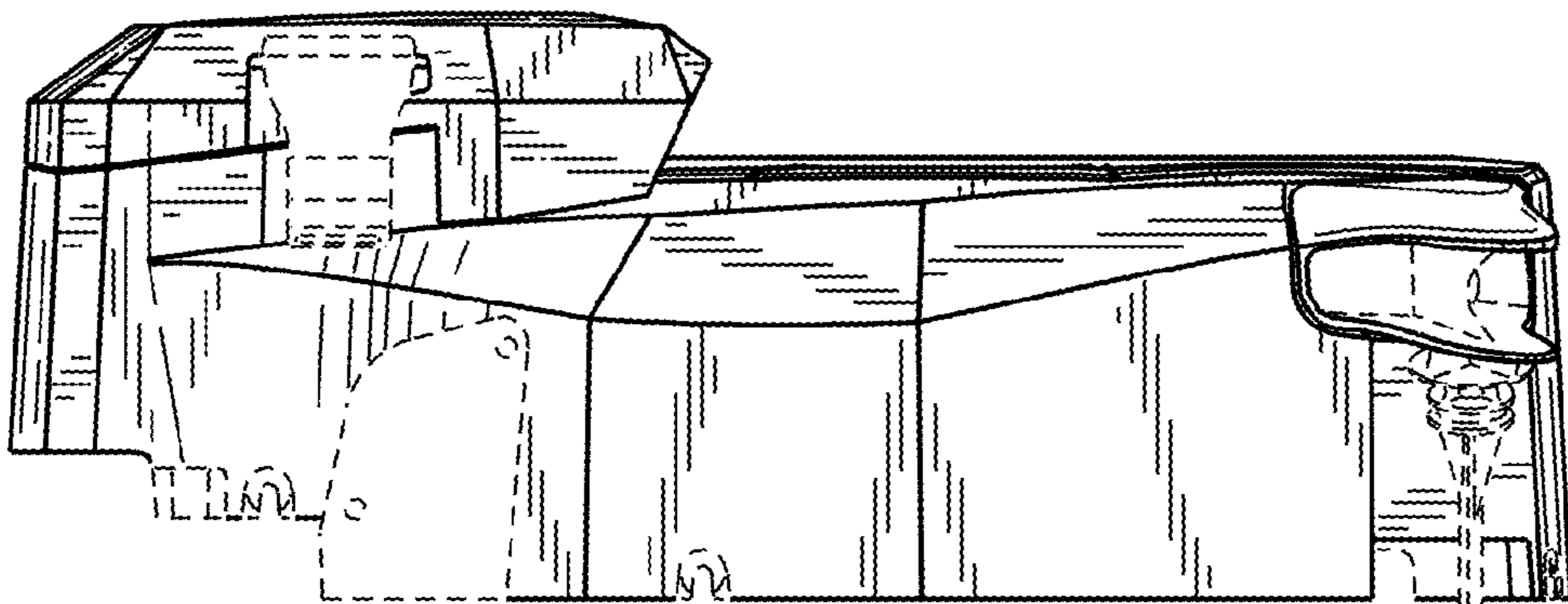


FIG. 5

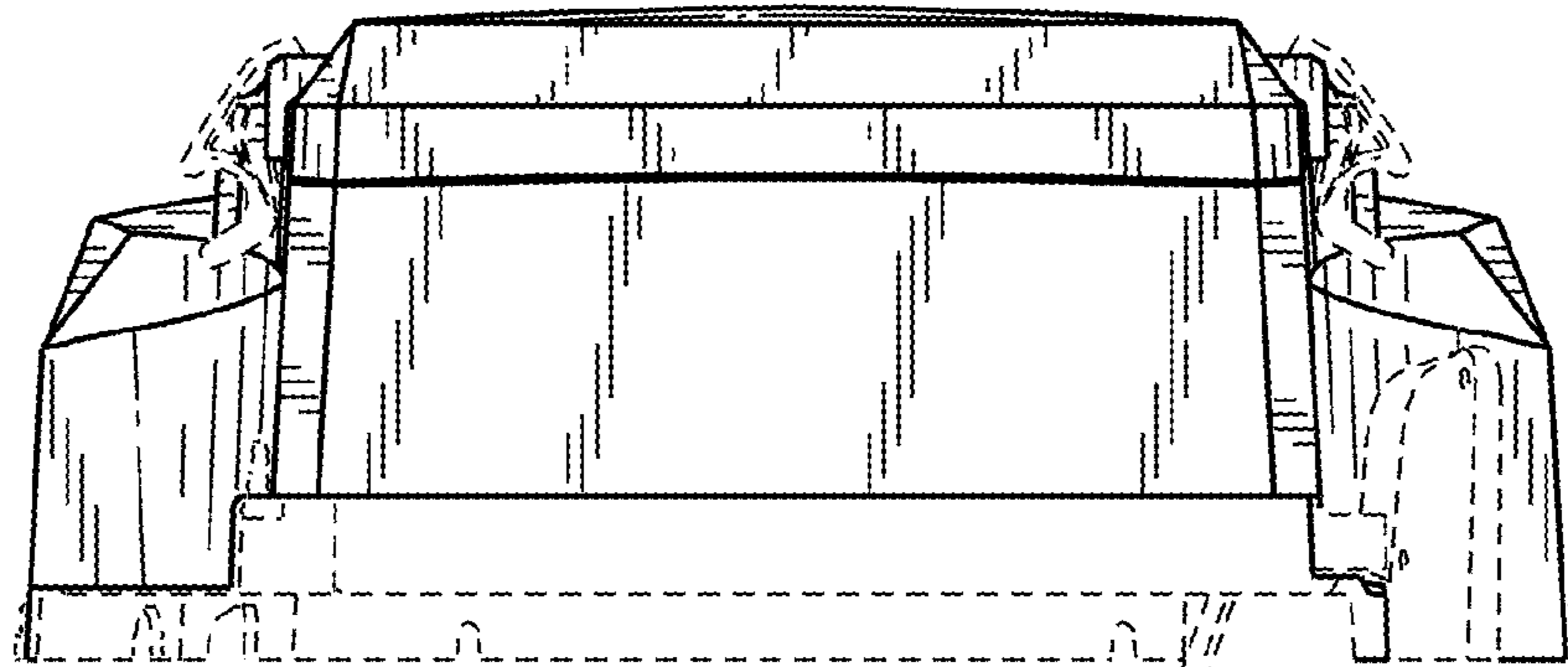


FIG. 6

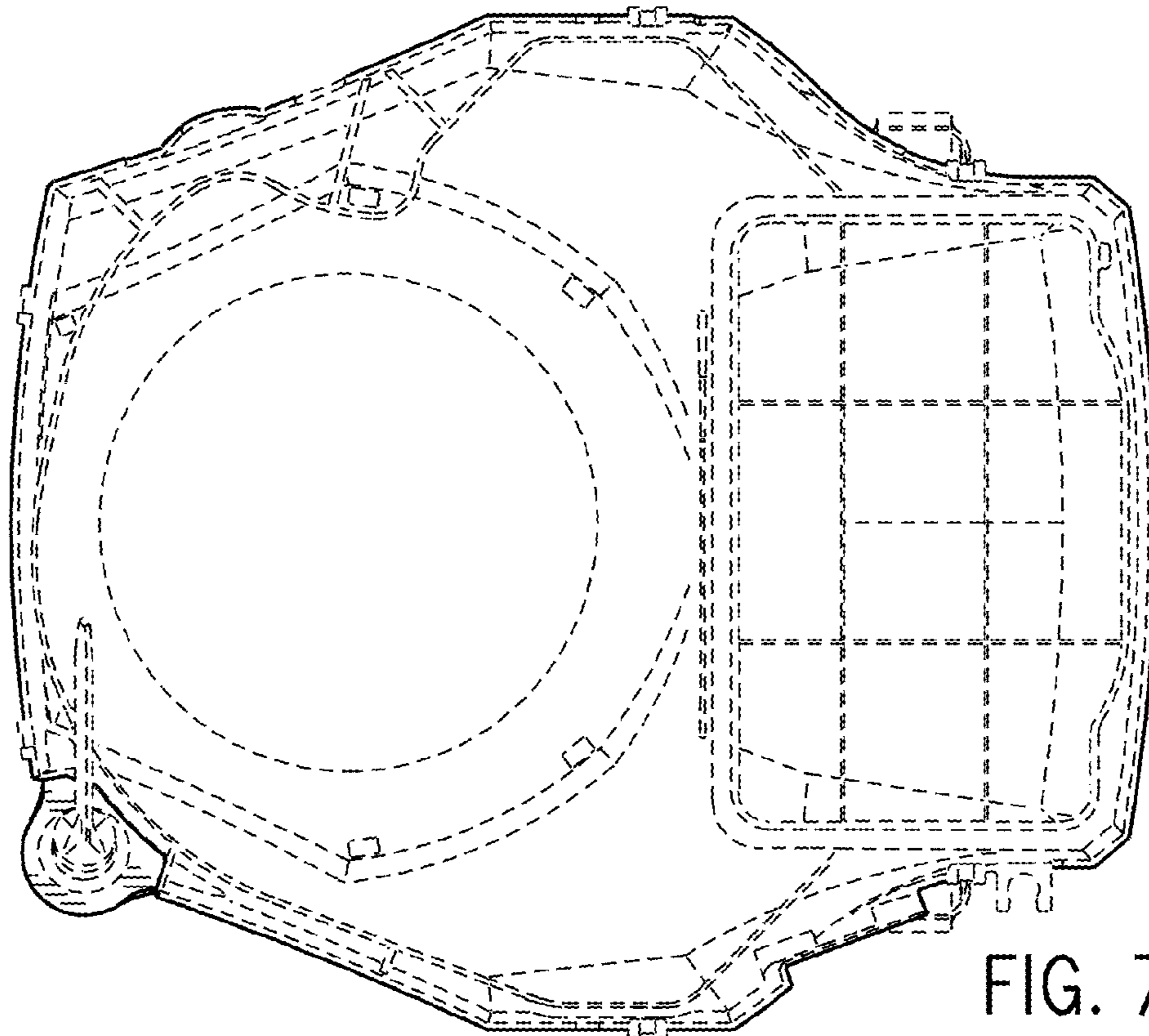


FIG. 7

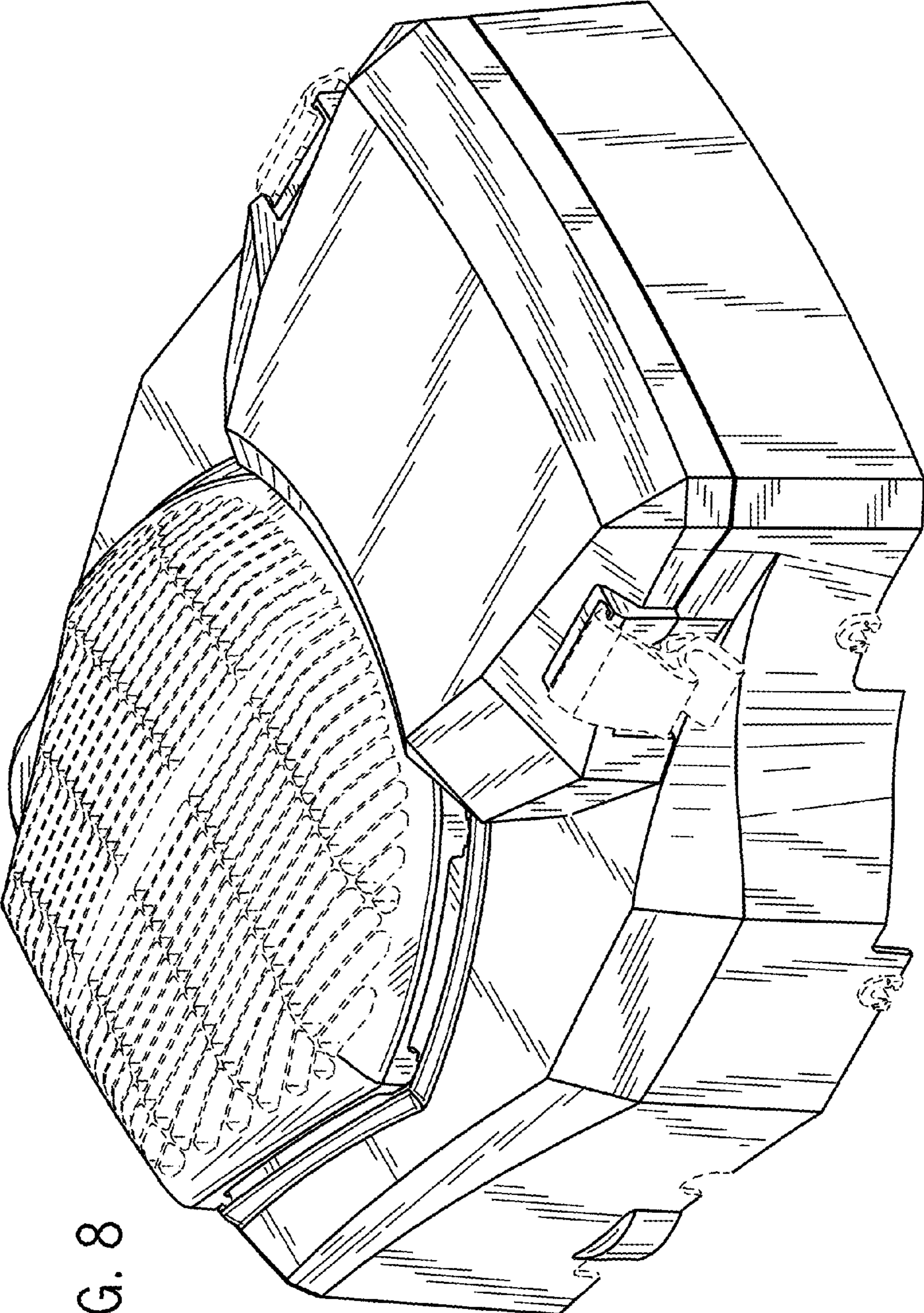


FIG. 8

FIG. 9

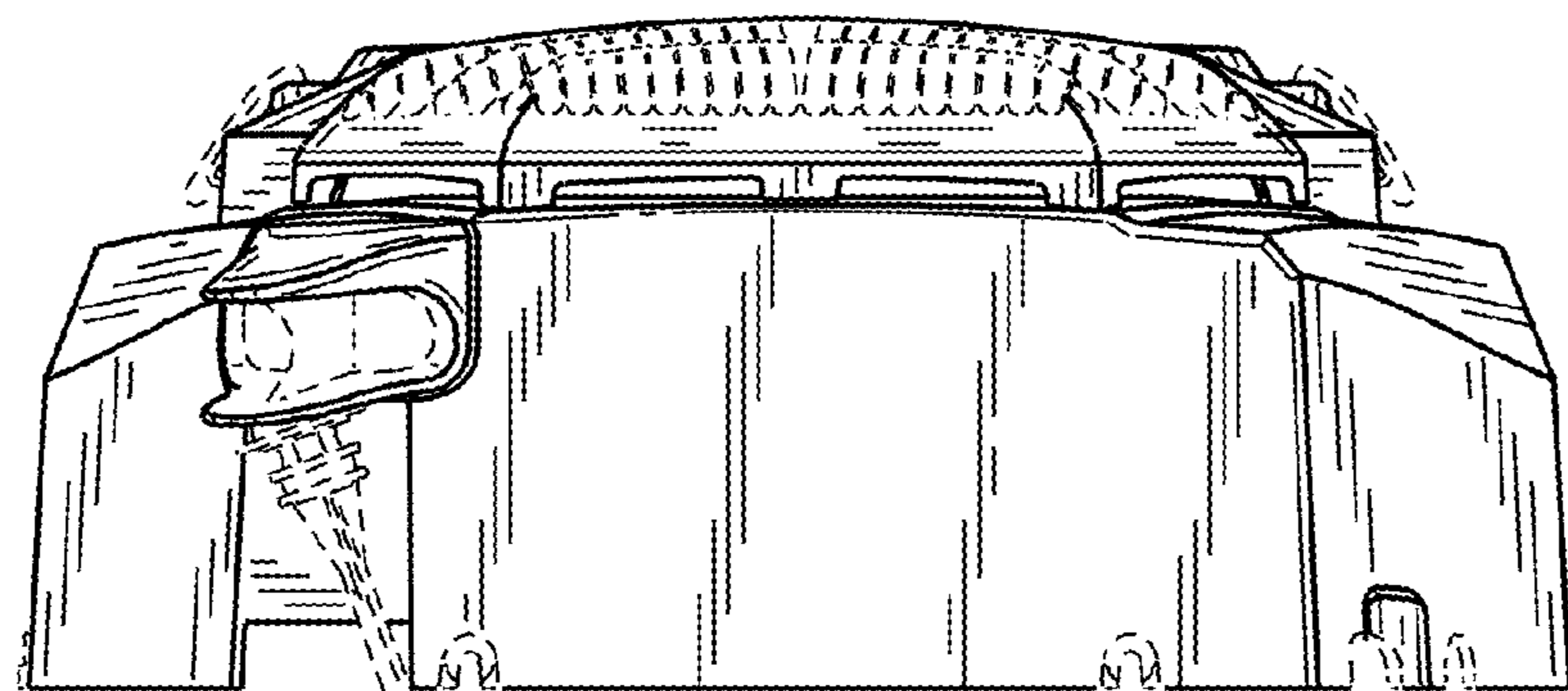
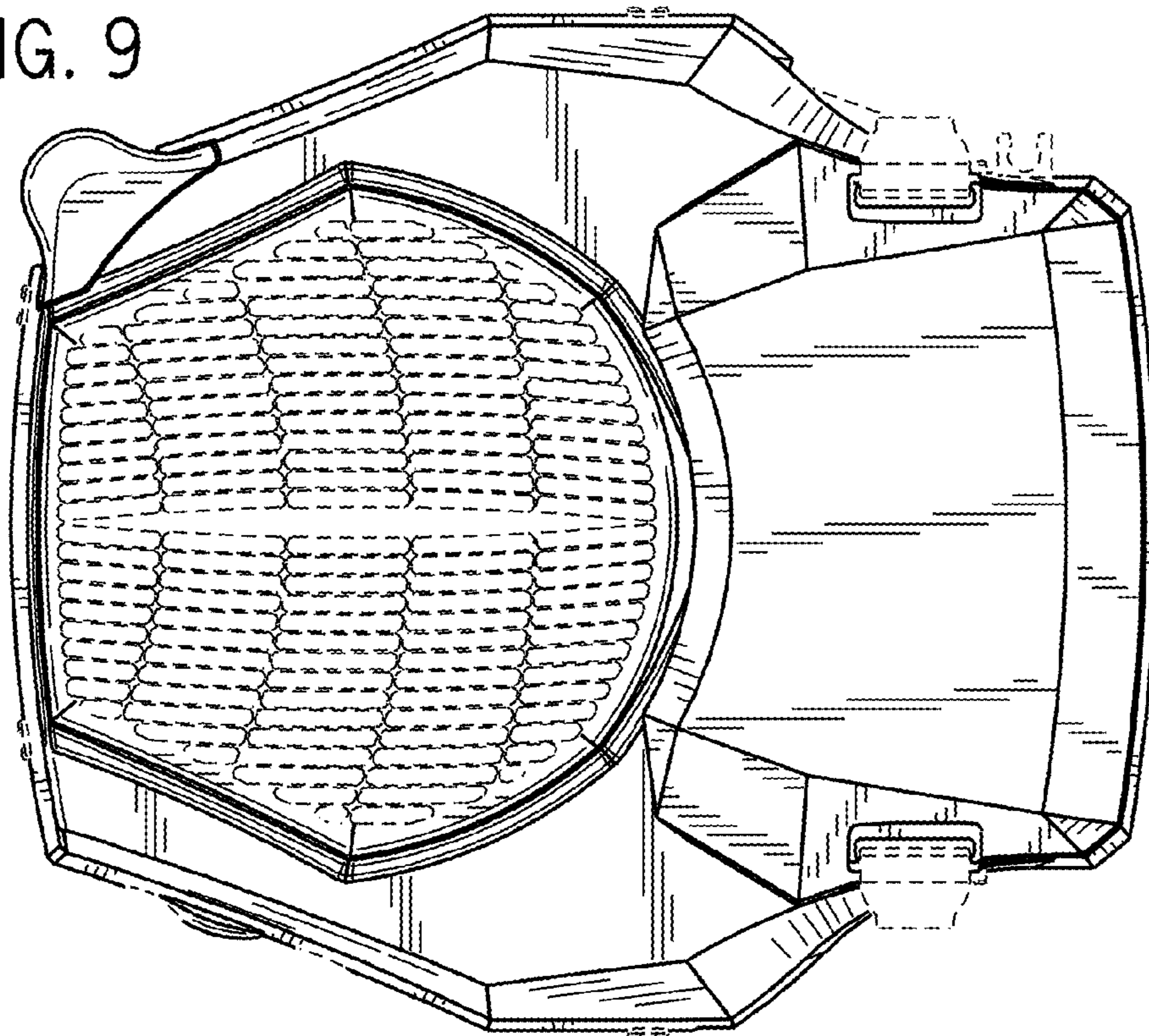


FIG. 10

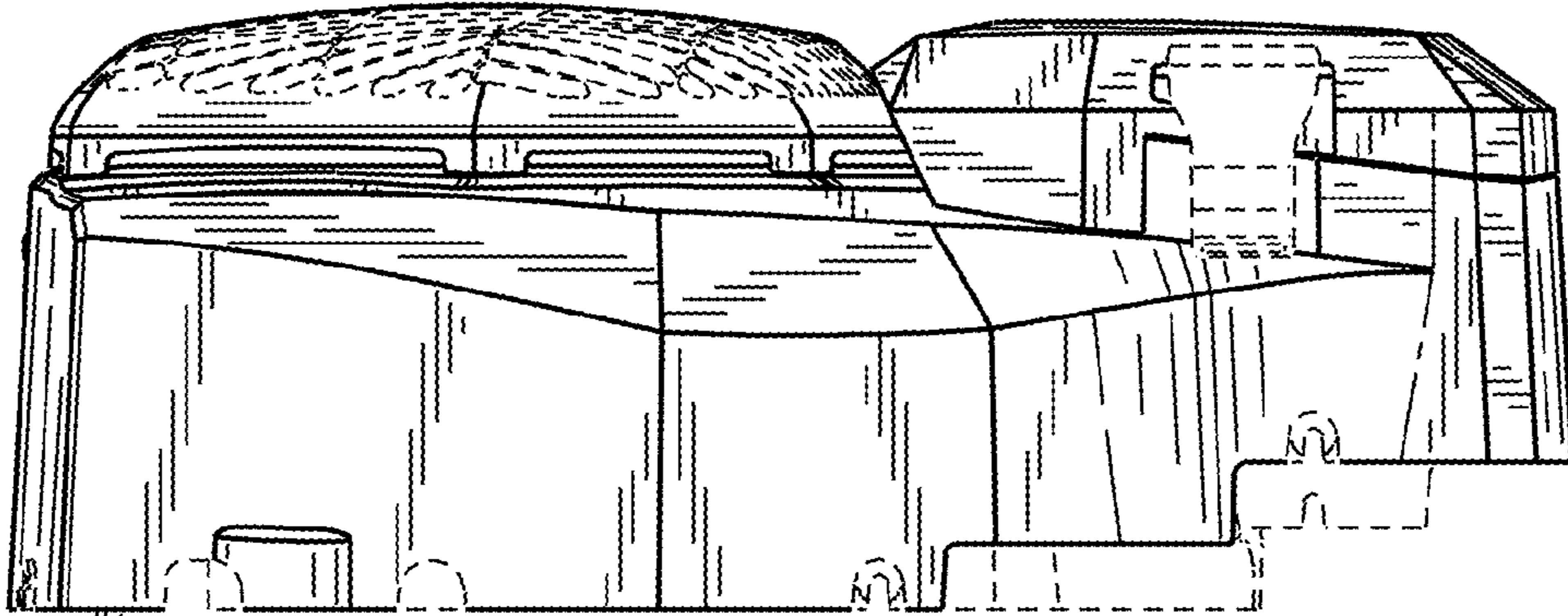


FIG. 11

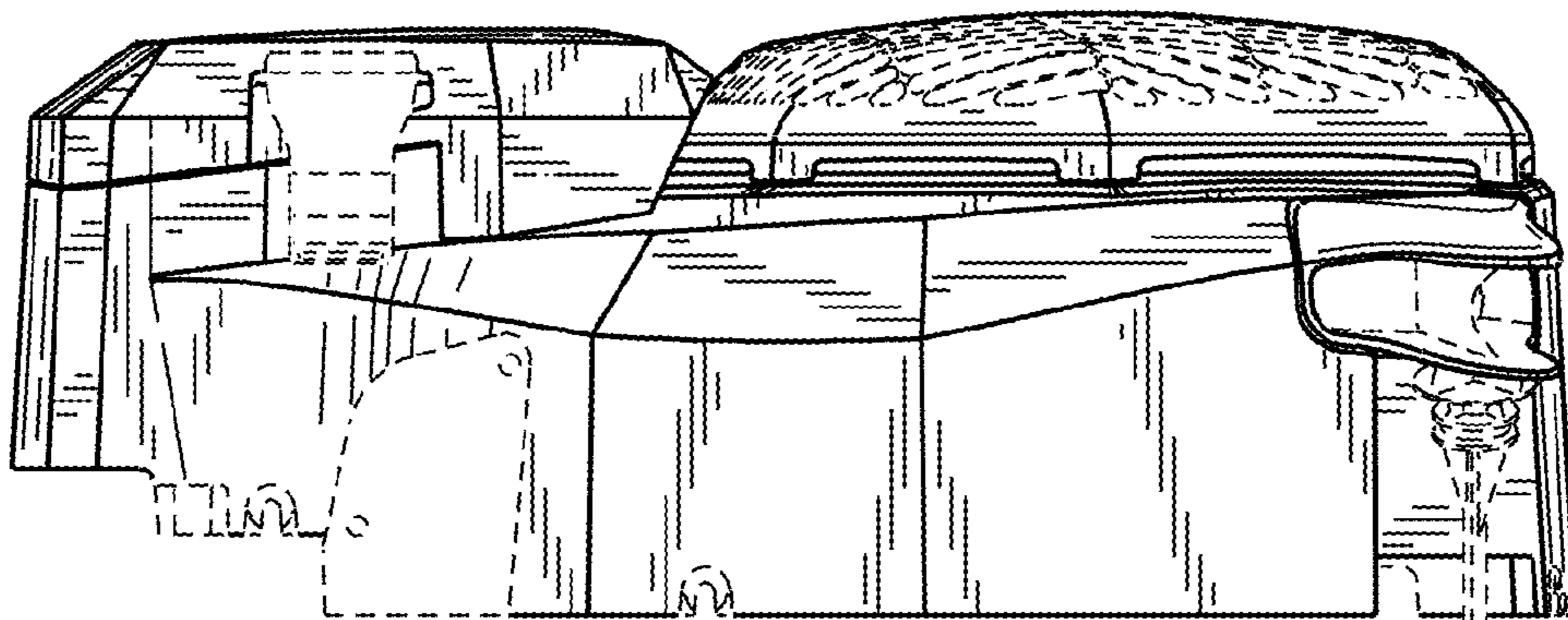


FIG. 12

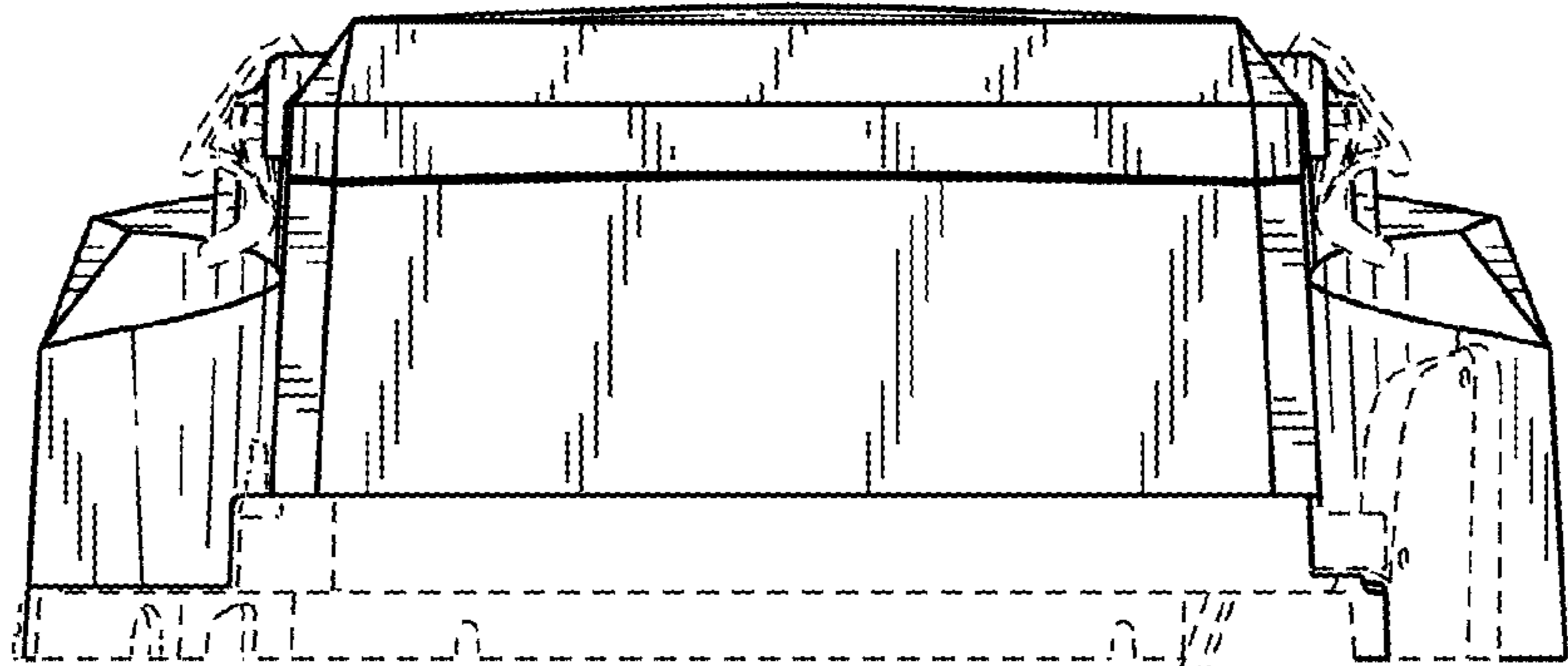


FIG. 13

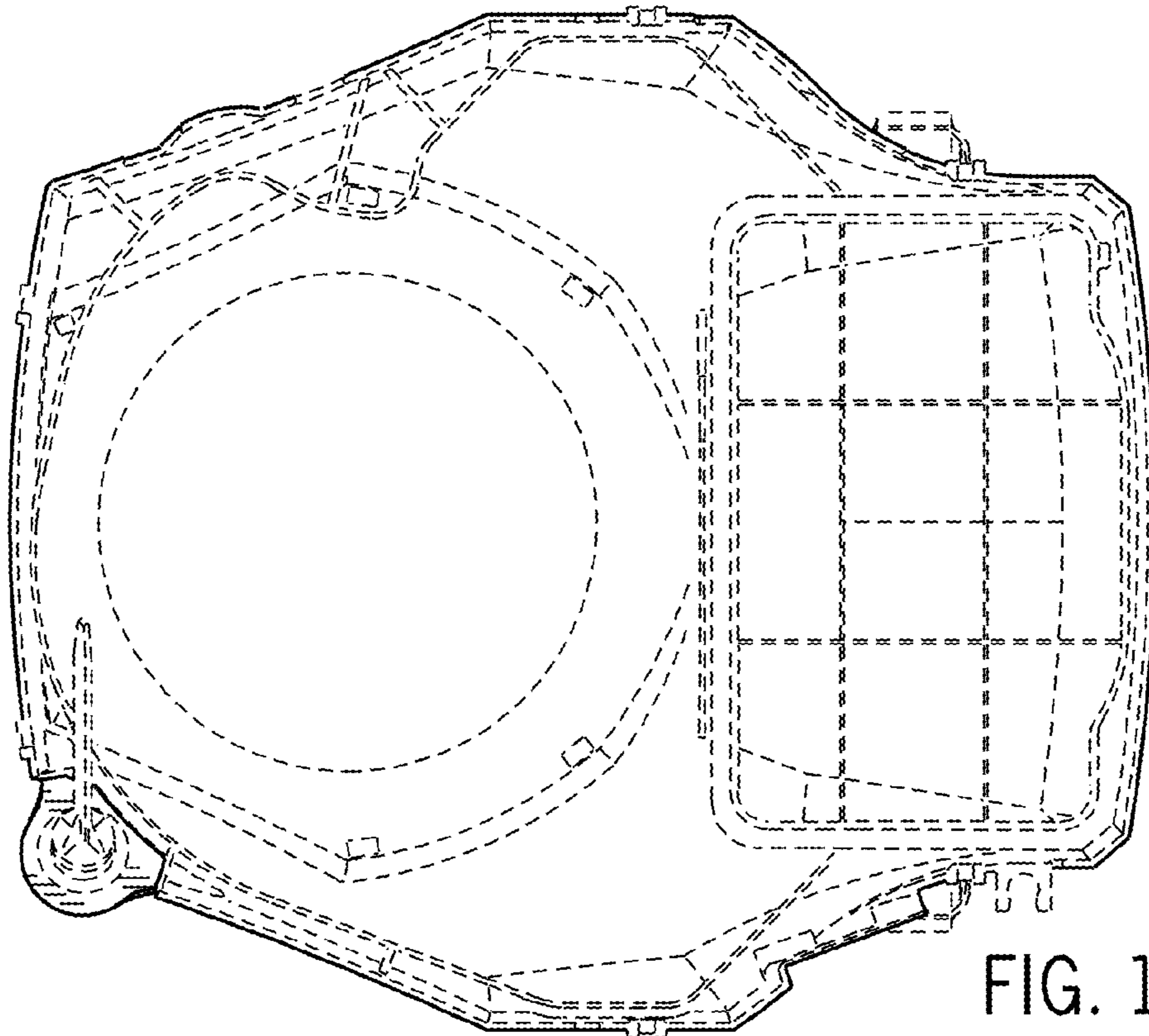
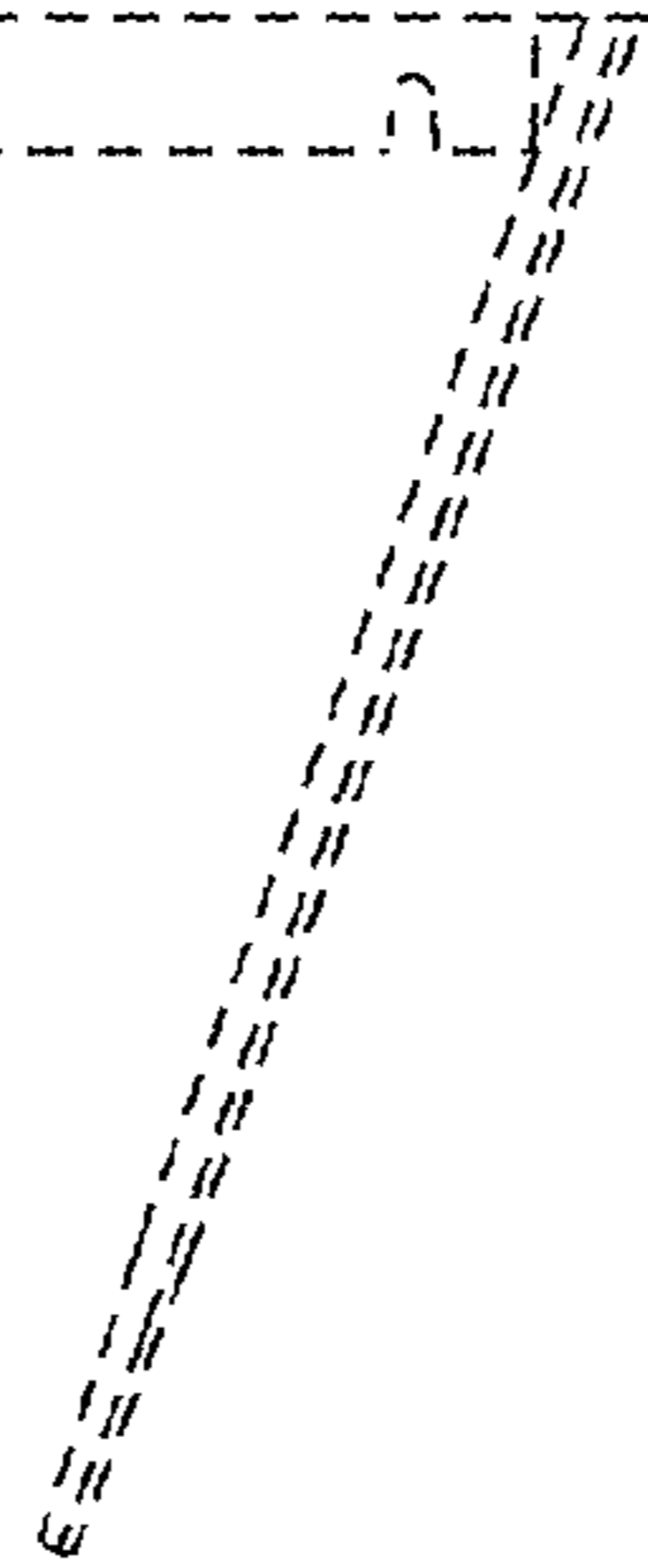


FIG. 14

UNITED STATES PATENT AND TRADEMARK OFFICE
CERTIFICATE OF CORRECTION

PATENT NO. : D735,762 S
APPLICATION NO. : 29/438836
DATED : August 4, 2015
INVENTOR(S) : Andren et al.

Page 1 of 9

It is certified that error appears in the above-identified patent and that said Letters Patent is hereby corrected as shown below:

Delete drawing sheets 1-8, and replace with drawing sheets 1-8. (attached)

Signed and Sealed this
Sixteenth Day of August, 2016



Michelle K. Lee
Director of the United States Patent and Trademark Office

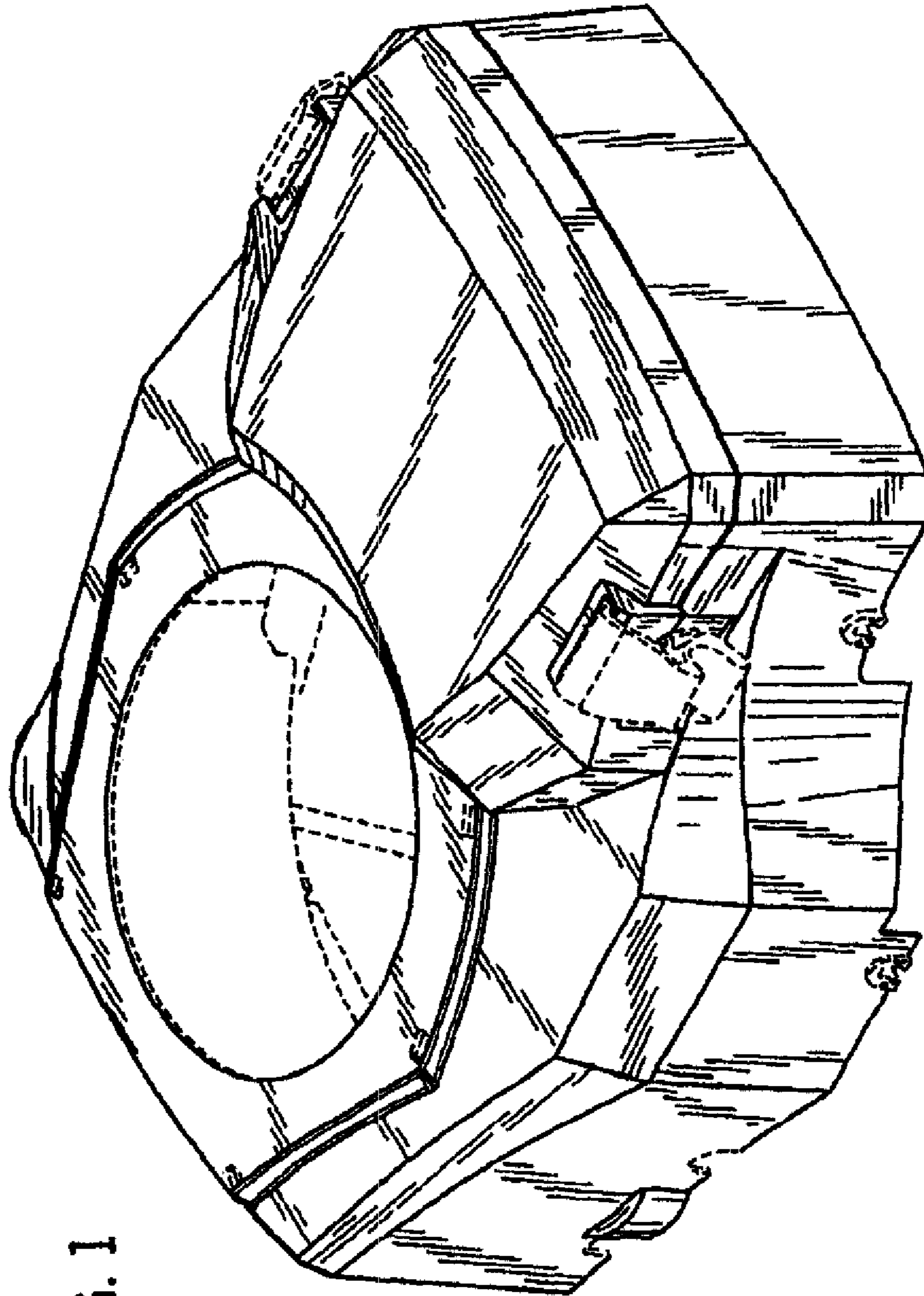


FIG. 1

FIG. 2

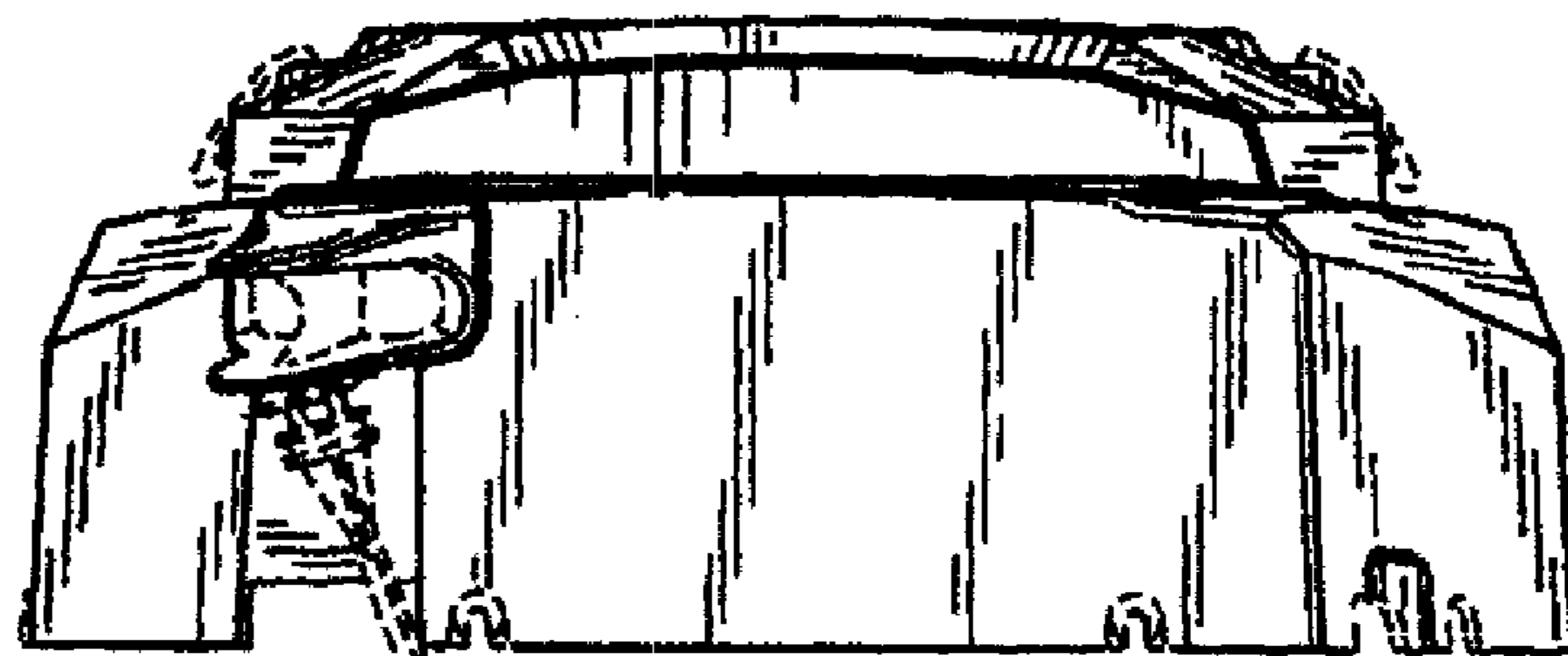
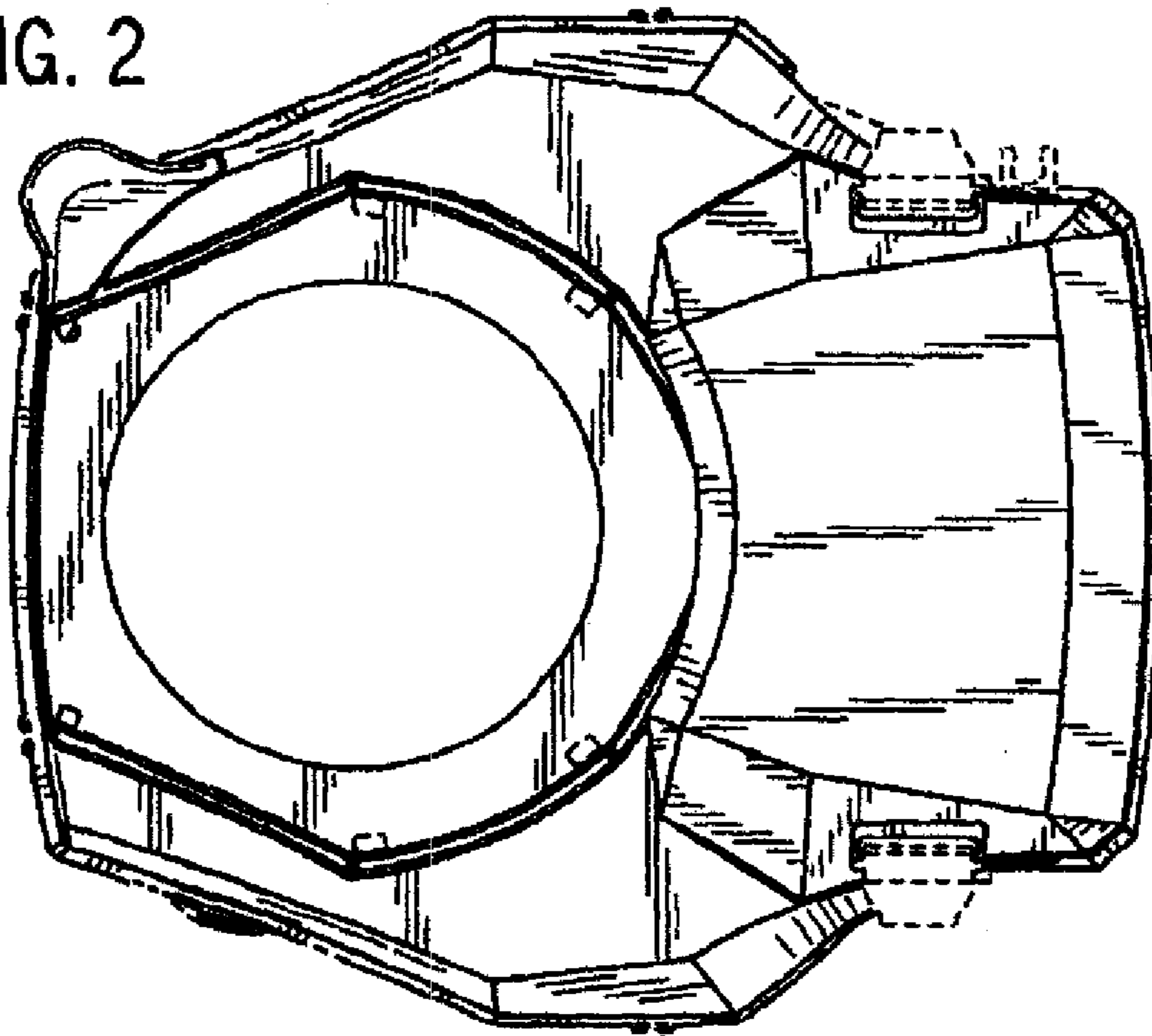


FIG. 3

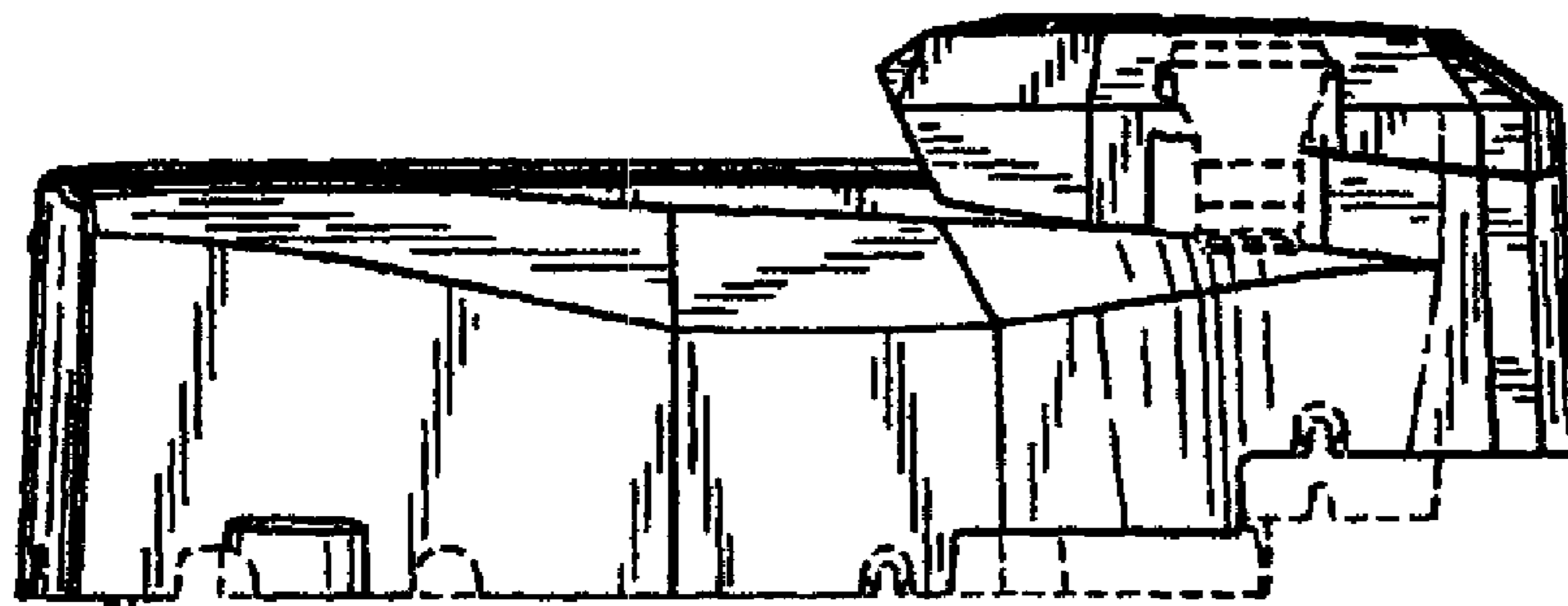


FIG. 4

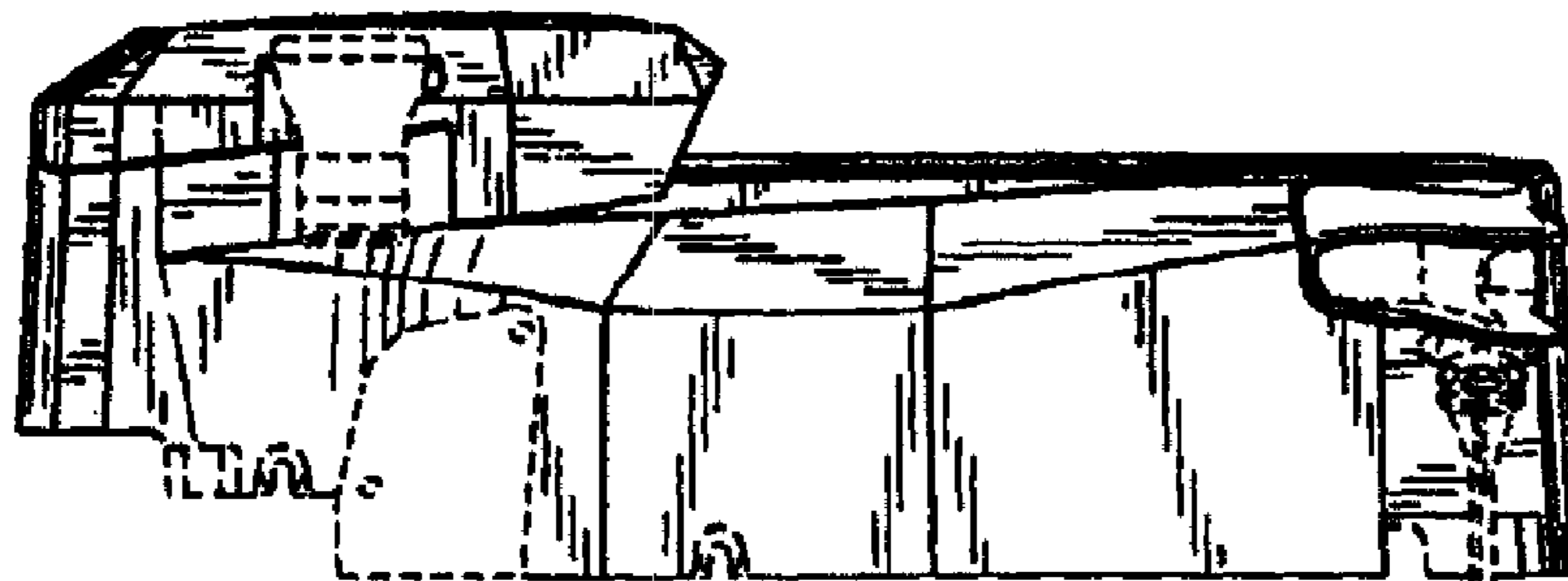


FIG. 5

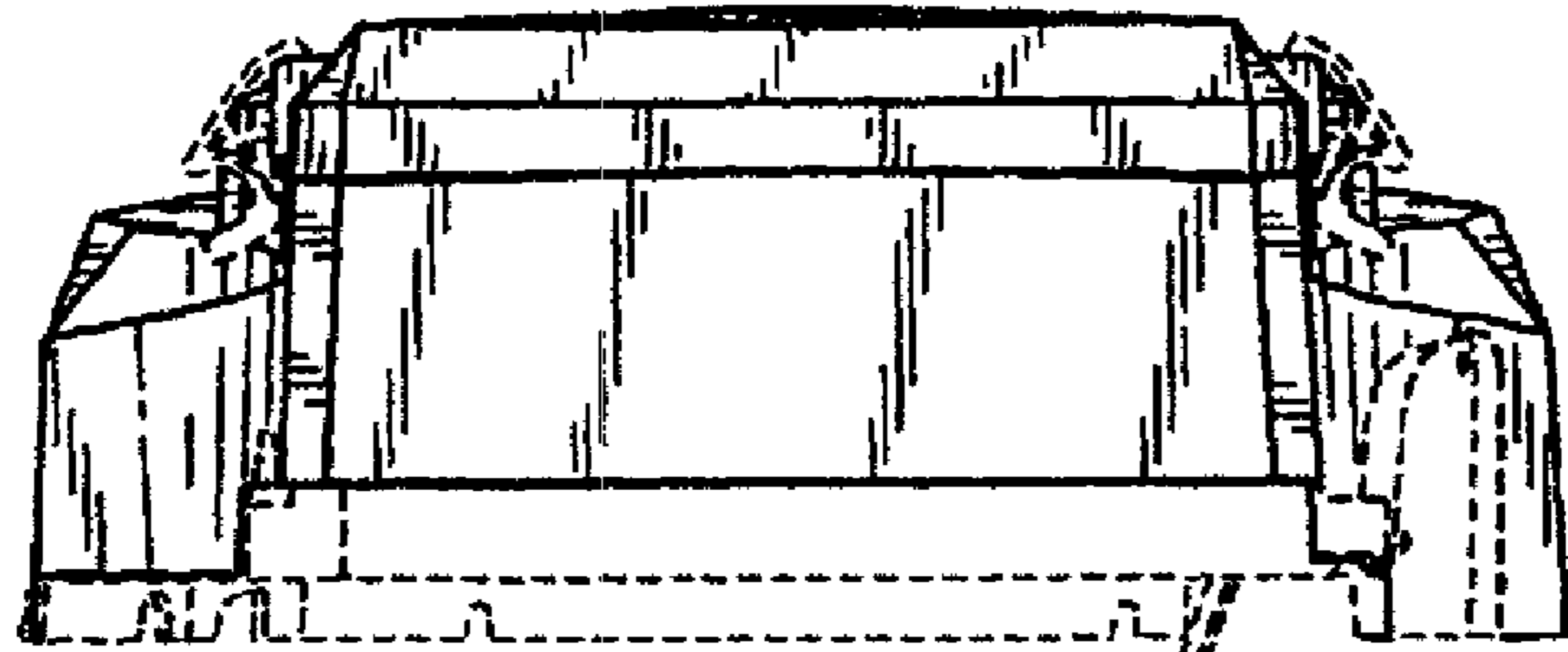


FIG. 6

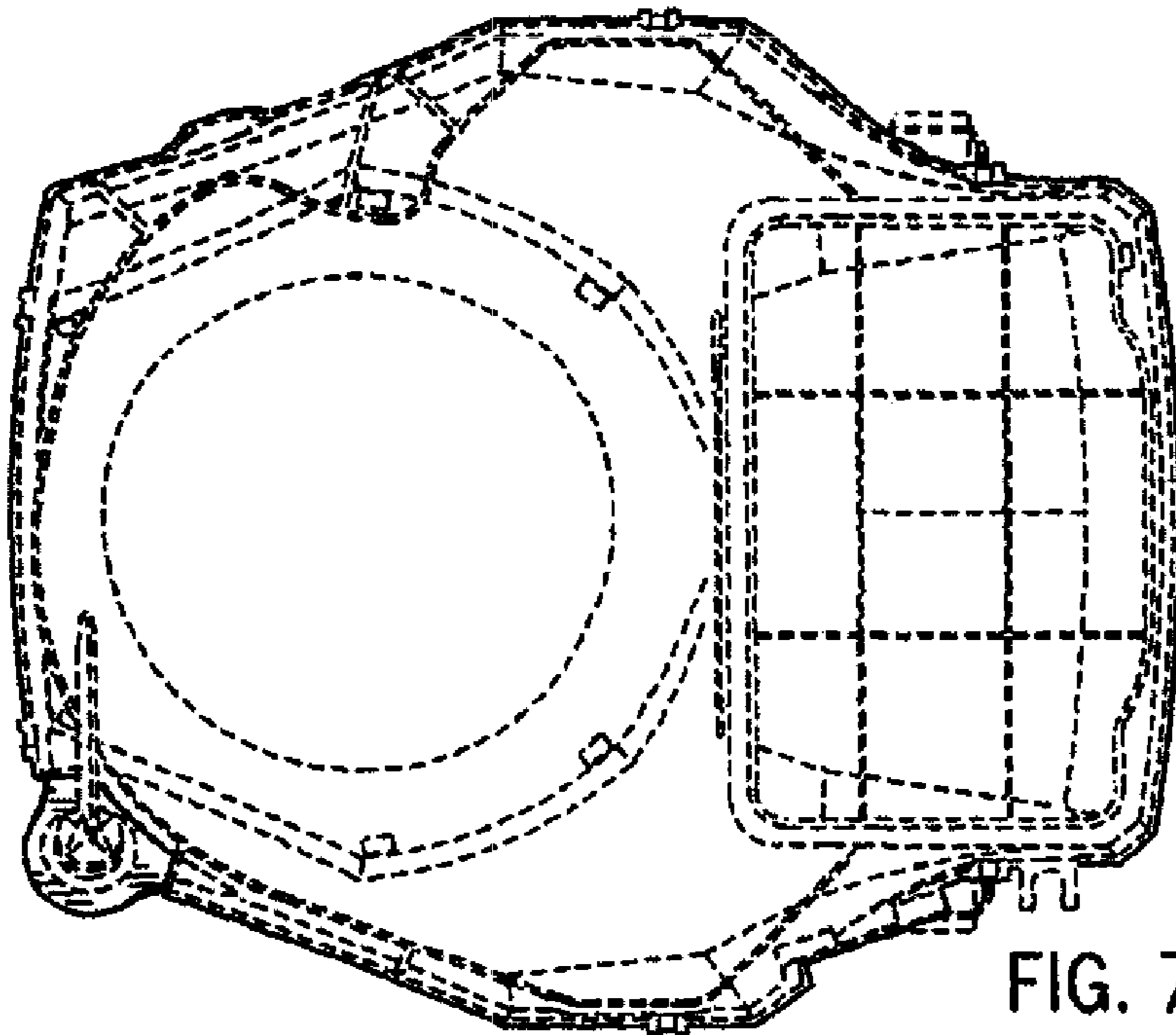


FIG. 7

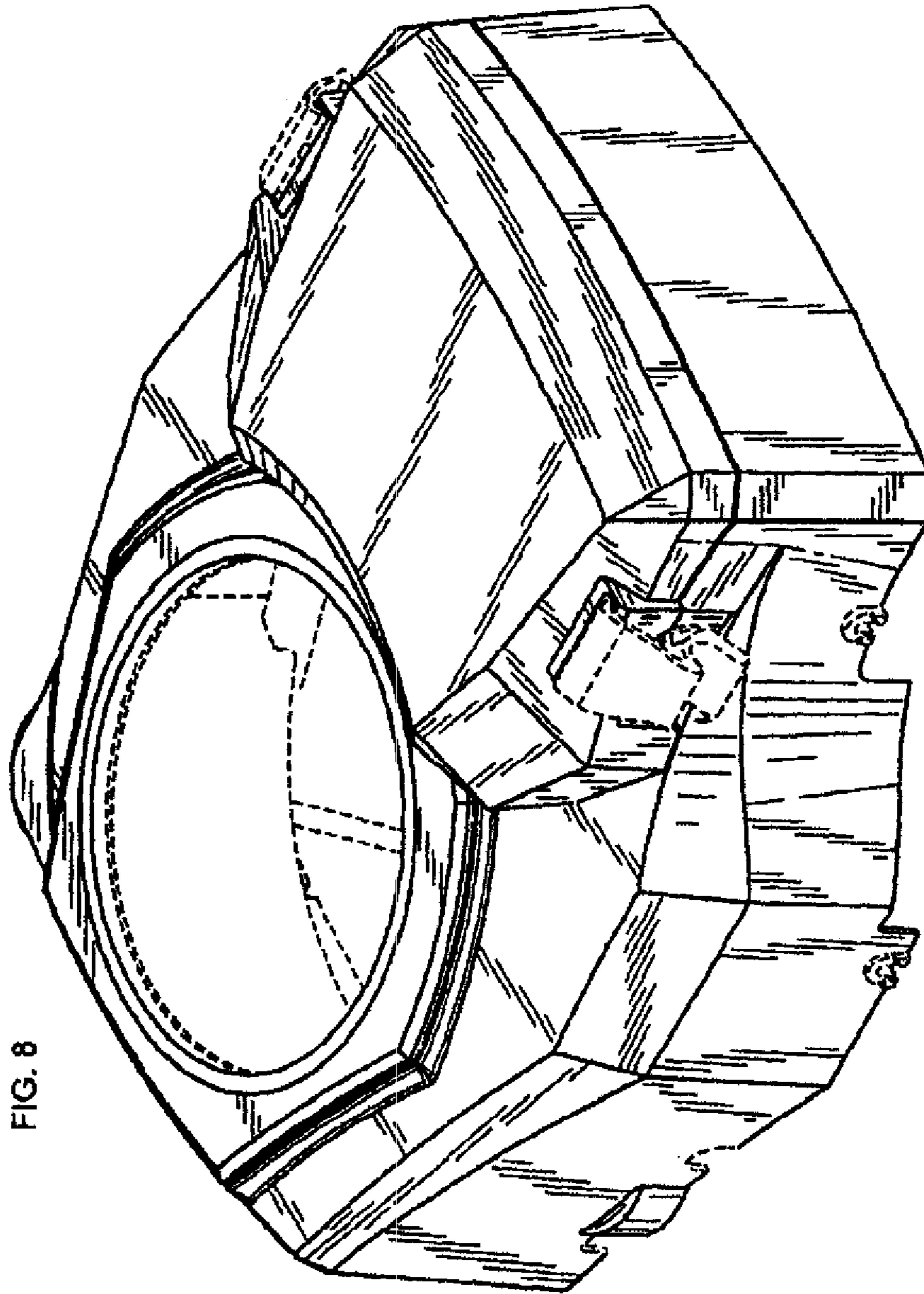


FIG. 8

FIG. 9

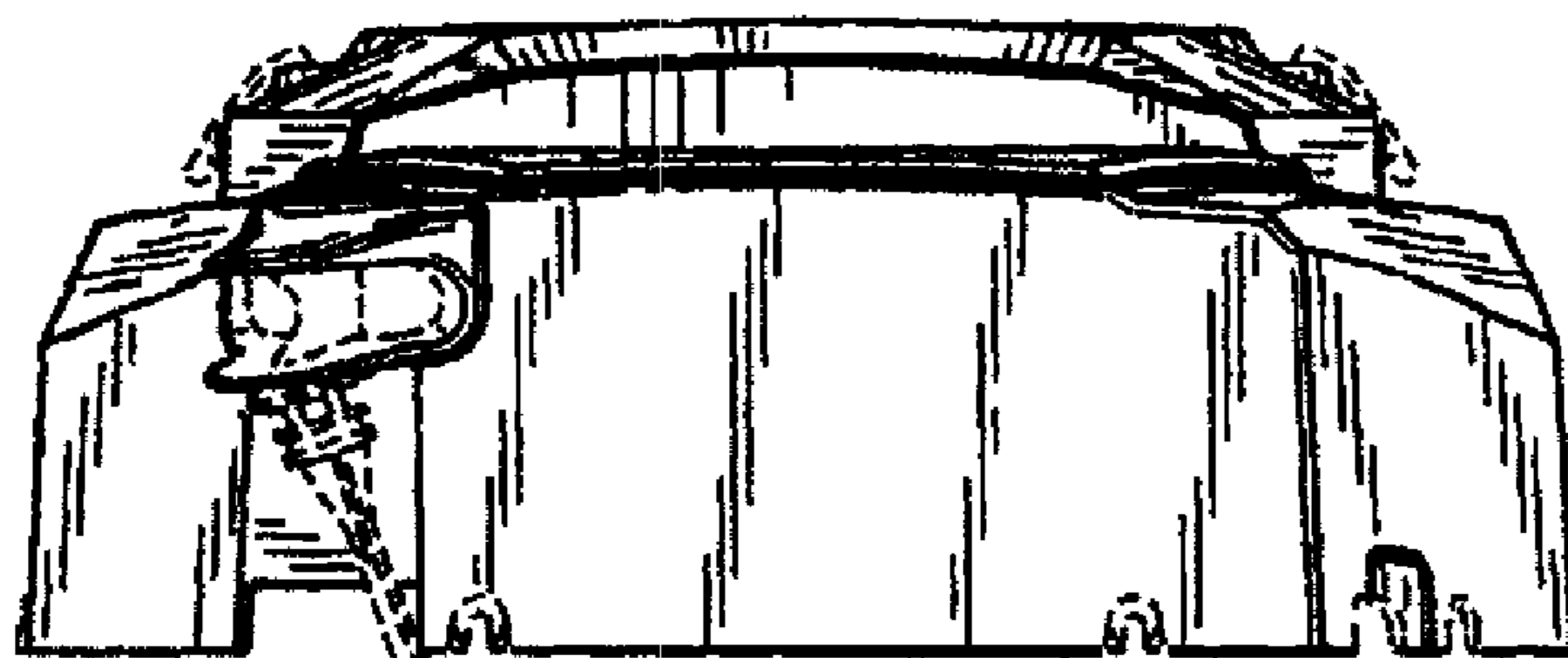
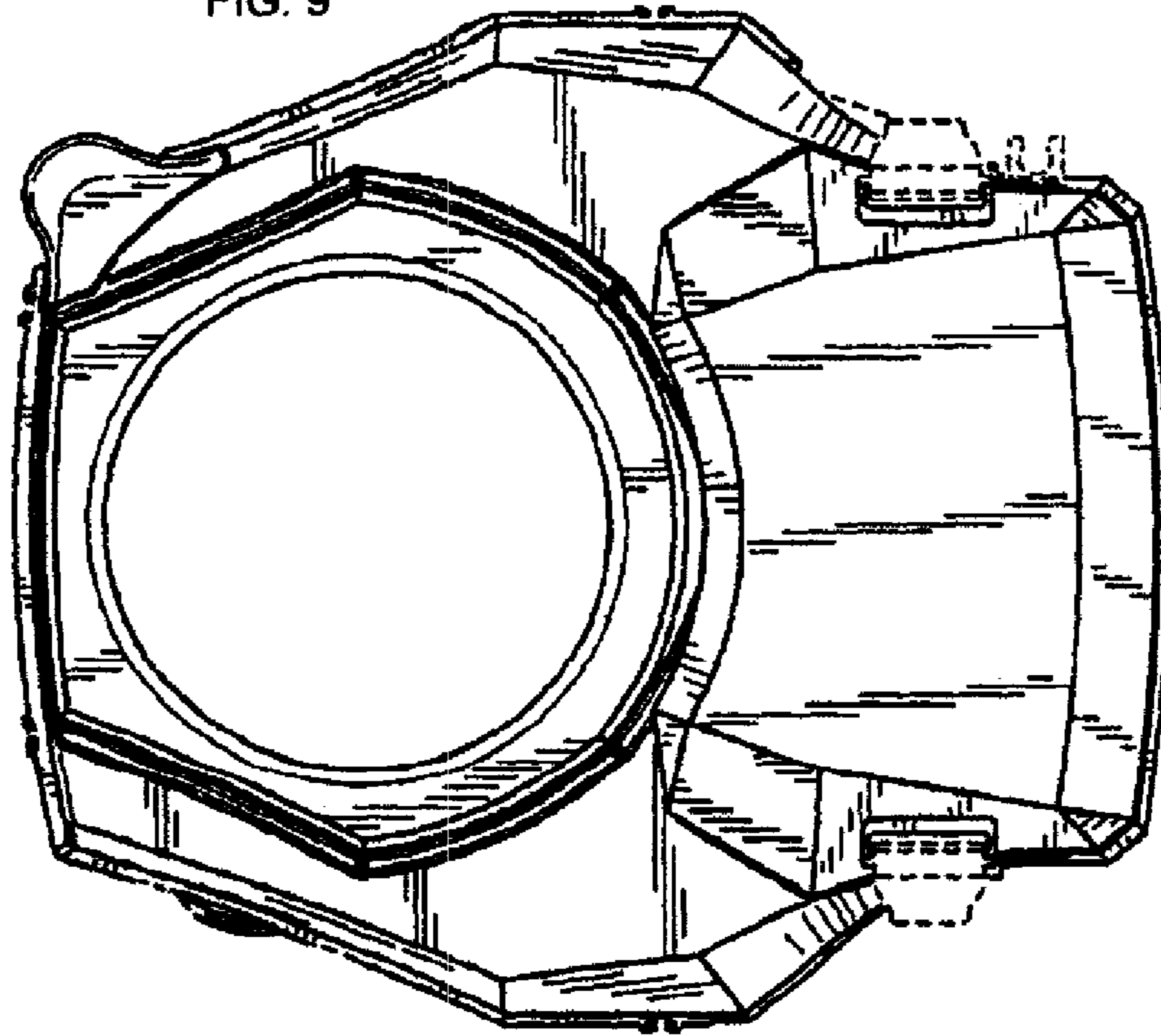


FIG. 10

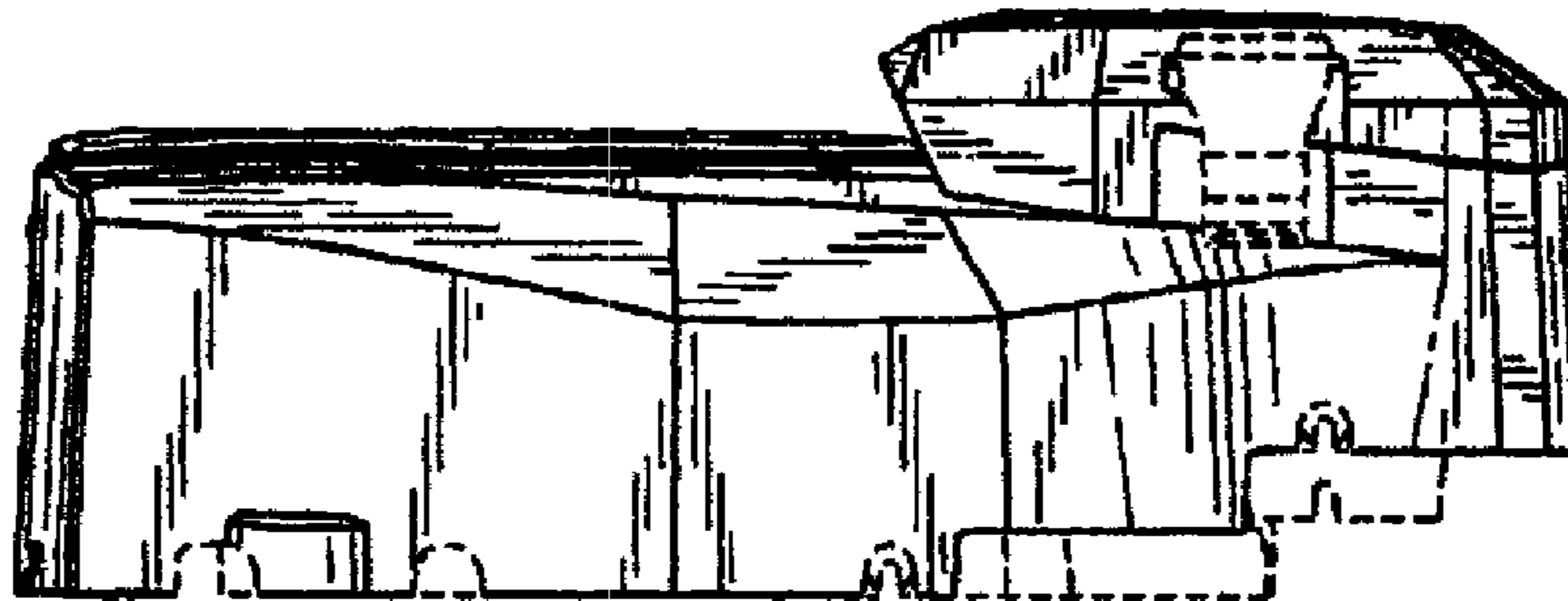


FIG. 11

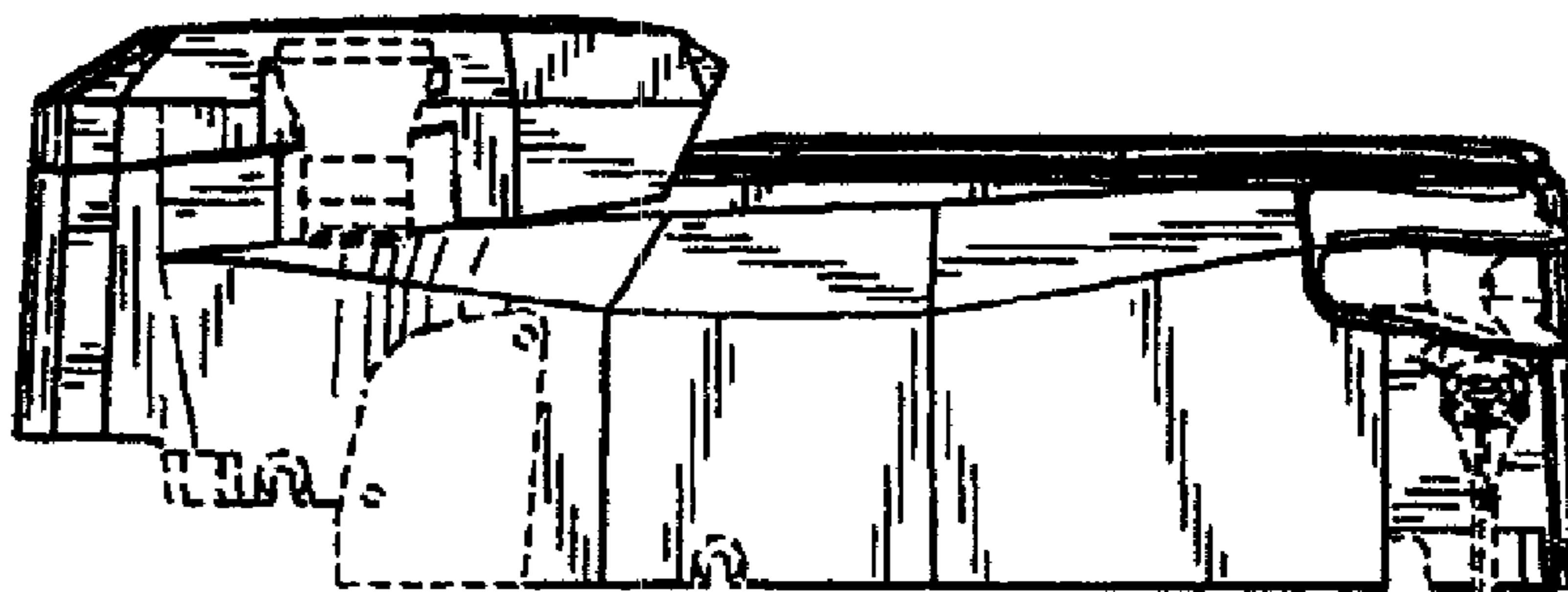


FIG. 12

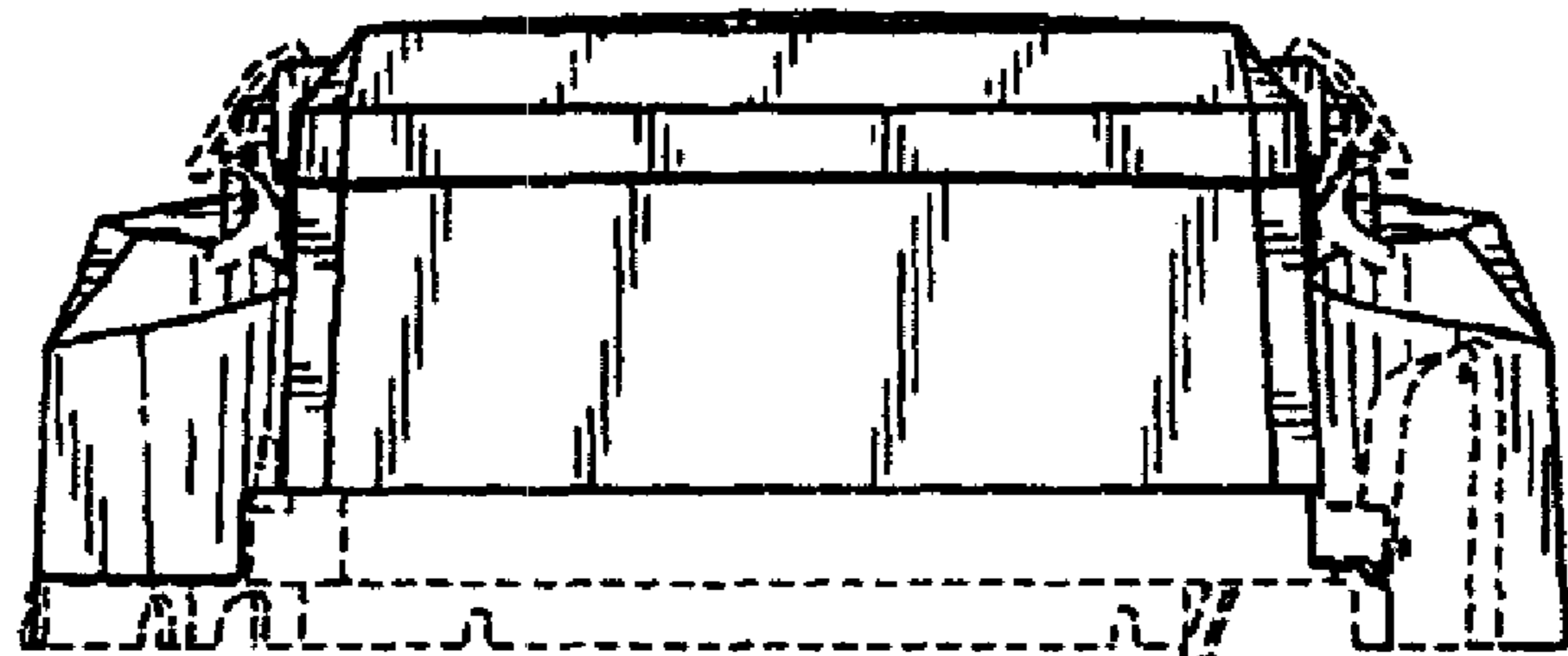


FIG. 13

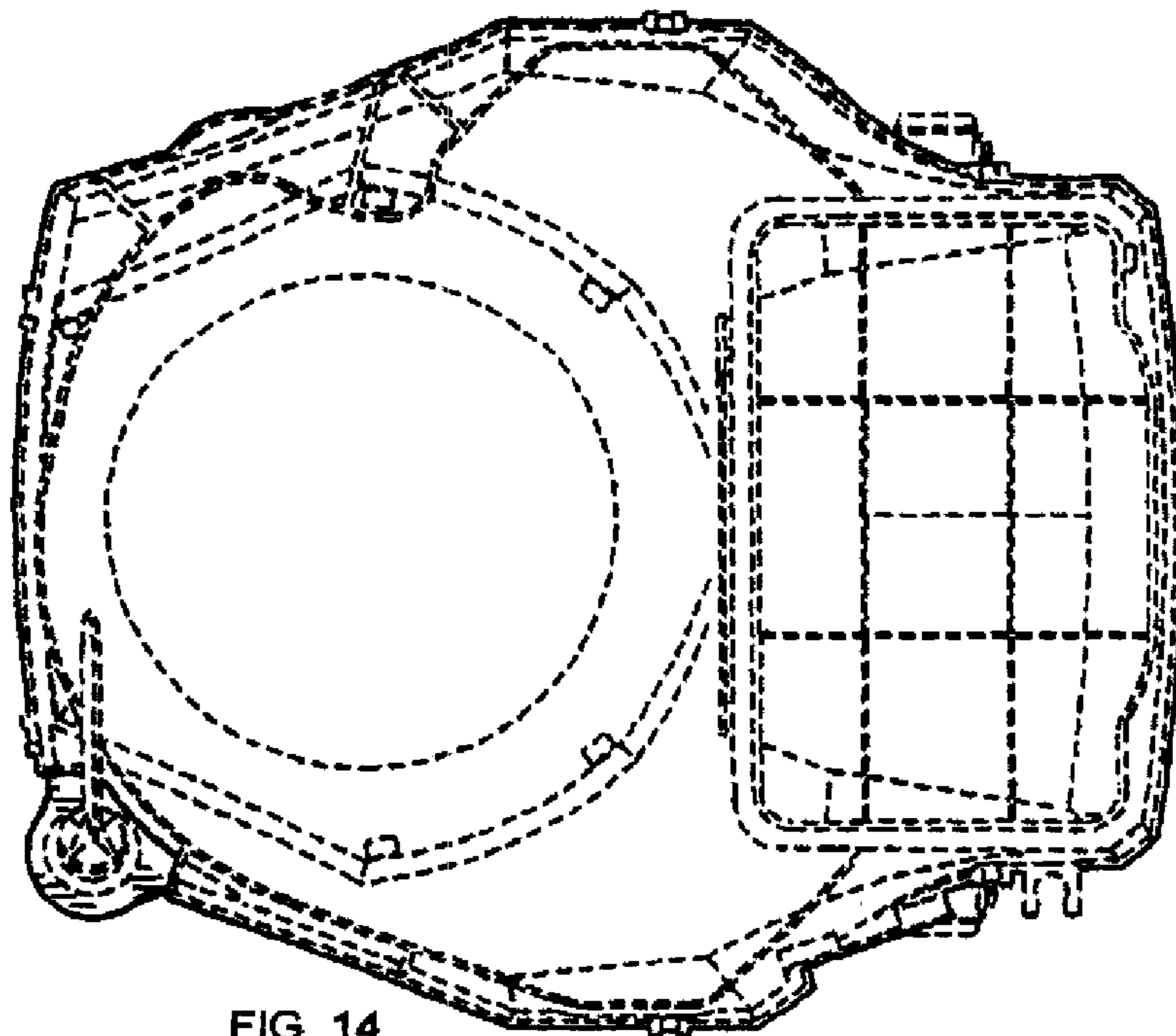


FIG. 14