



US00D735759S

(12) **United States Design Patent**  
**Chan**

(10) **Patent No.:** **US D735,759 S**

(45) **Date of Patent:** **\*\* Aug. 4, 2015**

(54) **IGNITION COIL COVER**

(76) Inventor: **Shihwen Chan**, Downey, CA (US)

(\*\*) Term: **14 Years**

(21) Appl. No.: **29/428,908**

(22) Filed: **Aug. 3, 2012**

(51) **LOC (10) Cl.** ..... **15-01**

(52) **U.S. Cl.**  
USPC ..... **D15/5**

(58) **Field of Classification Search**

USPC ..... D13/156, 184, 199; D15/3, 4, 5, 6, 14,  
D15/17, 149; 123/22, 41.34, 51 A, 52.1,  
123/50 A, 50 B, 54.1, 54.2, 54.4, 54.5, 65 R,  
123/195 R, 195 HC, 657, 311, 195 C;  
180/68.6, 219

See application file for complete search history.

(56) **References Cited**

U.S. PATENT DOCUMENTS

6,234,265 B1 \* 5/2001 Wollmer ..... 180/219  
D526,333 S \* 8/2006 Mizutani et al. .... D15/5  
D528,130 S \* 9/2006 Mizutani ..... D15/5

(Continued)

*Primary Examiner* — Ian Simmons

*Assistant Examiner* — Khawaja Anwar

(74) *Attorney, Agent, or Firm* — Anatoly S. Weiser, Esq.

(57) **CLAIM**

The ornamental design for an ignition coil cover, as shown and described.

**DESCRIPTION**

FIG. 1 is a perspective view of outside of a first piece of a fabricated aluminum two-piece ignition coil cover design;

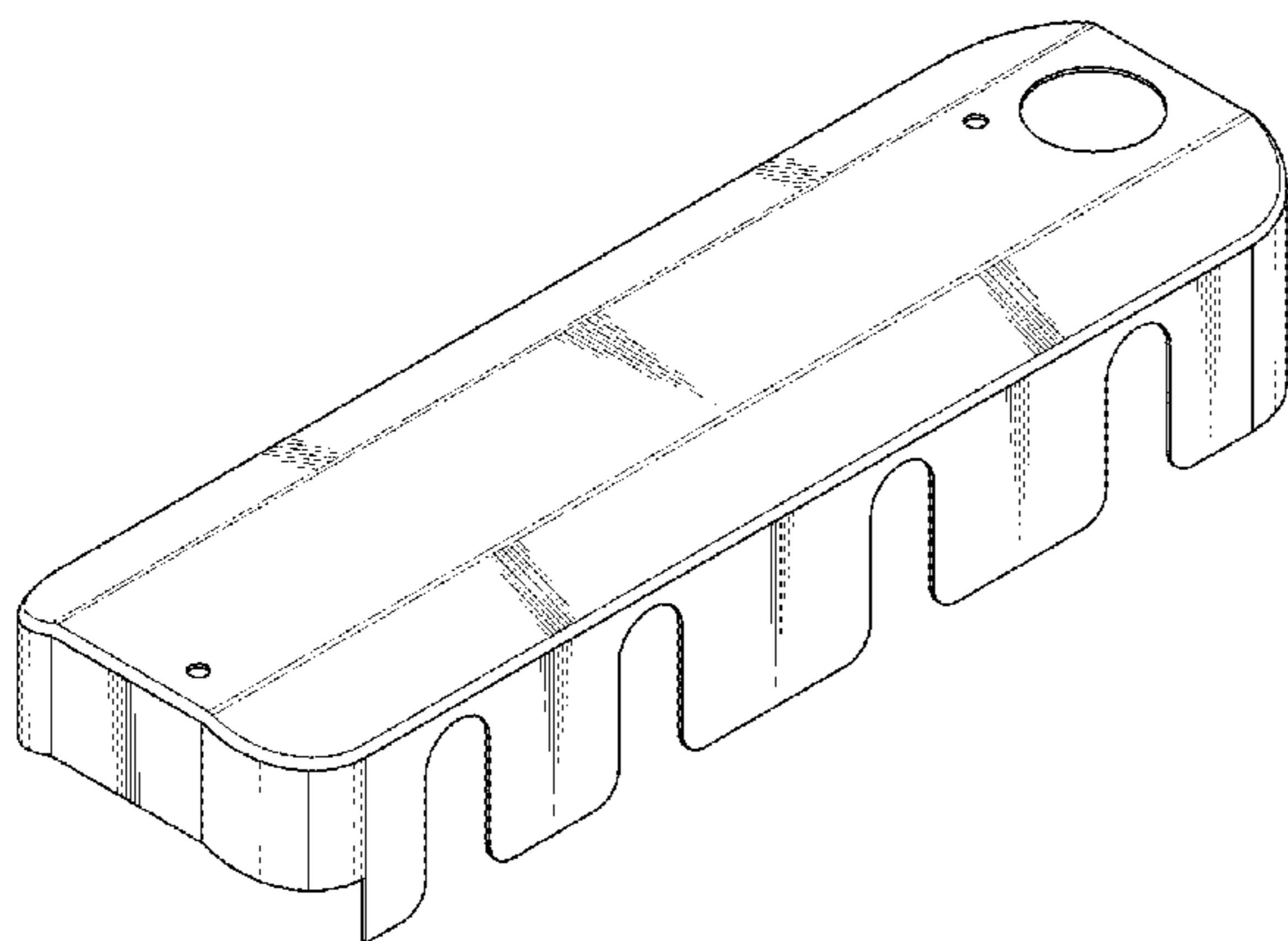


FIG. 2 is another perspective view of the outside of the first piece of the fabricated aluminum two-piece ignition coil cover design;

FIG. 3 is a top plan view of the outside of the first piece of the fabricated aluminum two-piece ignition coil cover design;

FIG. 4 is a bottom plan view of the inside of the first piece of the fabricated aluminum two-piece ignition coil cover design;

FIG. 5 is a first side plan view of the outside of the first piece of the fabricated aluminum two-piece ignition coil cover design;

FIG. 6 is a second side plan view of the outside of the first piece of the fabricated aluminum two-piece ignition coil cover design;

FIG. 7 is a first end plan view of the outside of the first piece of the fabricated aluminum two-piece ignition coil cover design;

FIG. 8 is a second end plan view of the outside of the first piece of the fabricated aluminum two-piece ignition coil cover design;

FIG. 9 is a perspective view of outside of a second piece of the fabricated aluminum two-piece ignition coil cover design;

FIG. 10 is another perspective view of the outside of the second piece of the fabricated aluminum two-piece ignition coil cover design;

FIG. 11 is a top plan view of the outside of the second piece of the fabricated aluminum two-piece ignition coil cover design;

FIG. 12 is a bottom plan view of inside of the second piece of the fabricated aluminum two-piece ignition coil cover design;

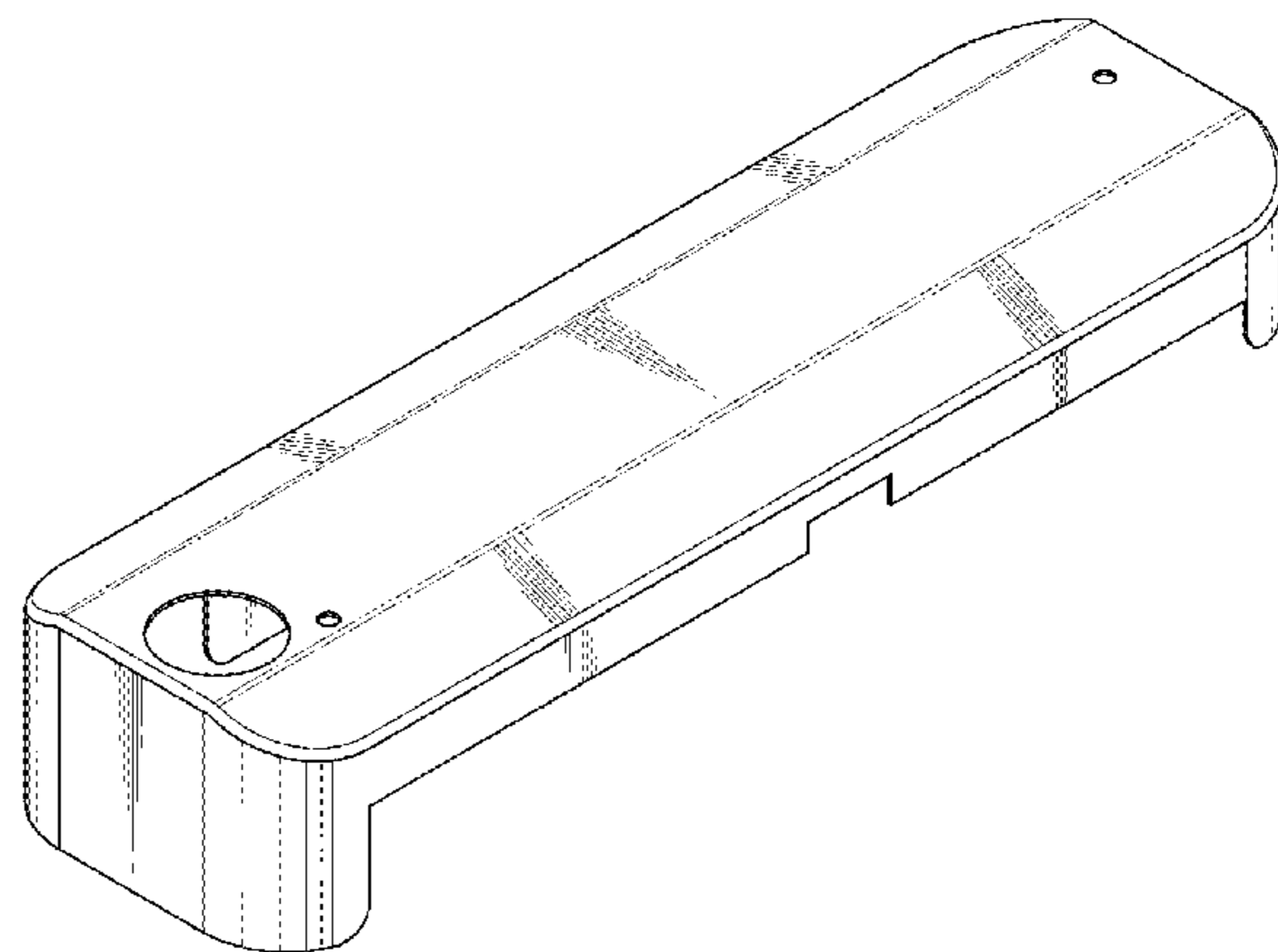
FIG. 13 is a first side plan view of the outside of the second piece of the fabricated aluminum two-piece ignition coil cover design;

FIG. 14 is a second side plan view of the outside of the second piece of the fabricated aluminum two-piece ignition coil cover design;

FIG. 15 is a first end plan view of the outside of the second piece of the fabricated aluminum two-piece ignition coil cover design; and,

FIG. 16 is a second end plan view of the outside of the second piece of the fabricated aluminum two-piece ignition coil cover design.

**1 Claim, 4 Drawing Sheets**



(56)

**References Cited**

U.S. PATENT DOCUMENTS

D533,190 S \* 12/2006 Huang ..... D15/5  
D534,186 S \* 12/2006 Tsunoda ..... D15/5  
D537,450 S \* 2/2007 Fretwell ..... D15/4  
D556,214 S \* 11/2007 Fretwell ..... D15/5

D607,900 S \* 1/2010 Pelini ..... D15/4  
D626,969 S \* 11/2010 Gelardi ..... D15/5  
D648,351 S \* 11/2011 Michimura ..... D15/5  
D679,733 S \* 4/2013 Armstrong ..... D15/5  
D709,099 S \* 7/2014 Finnie ..... D15/5

\* cited by examiner

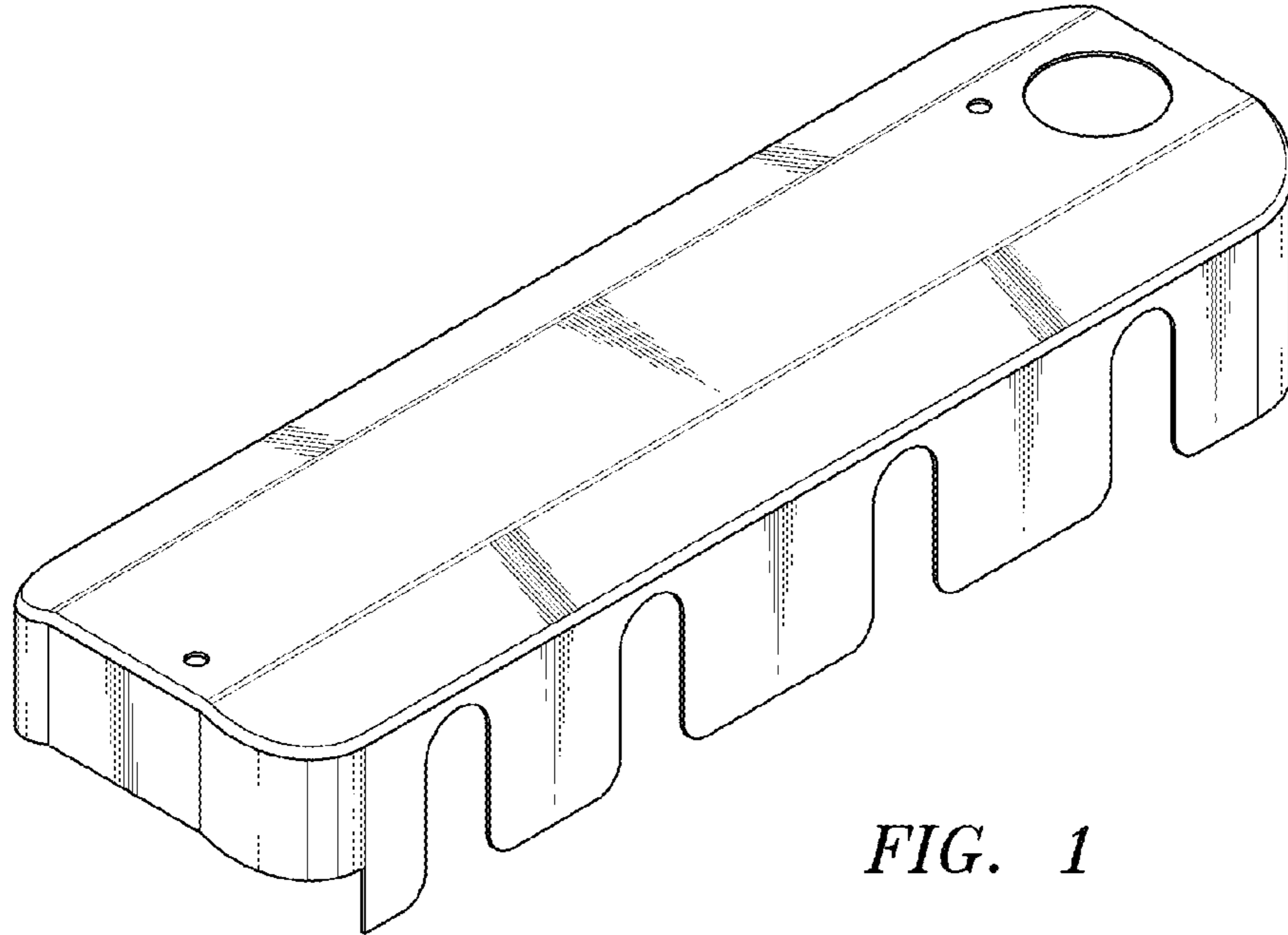


FIG. 1

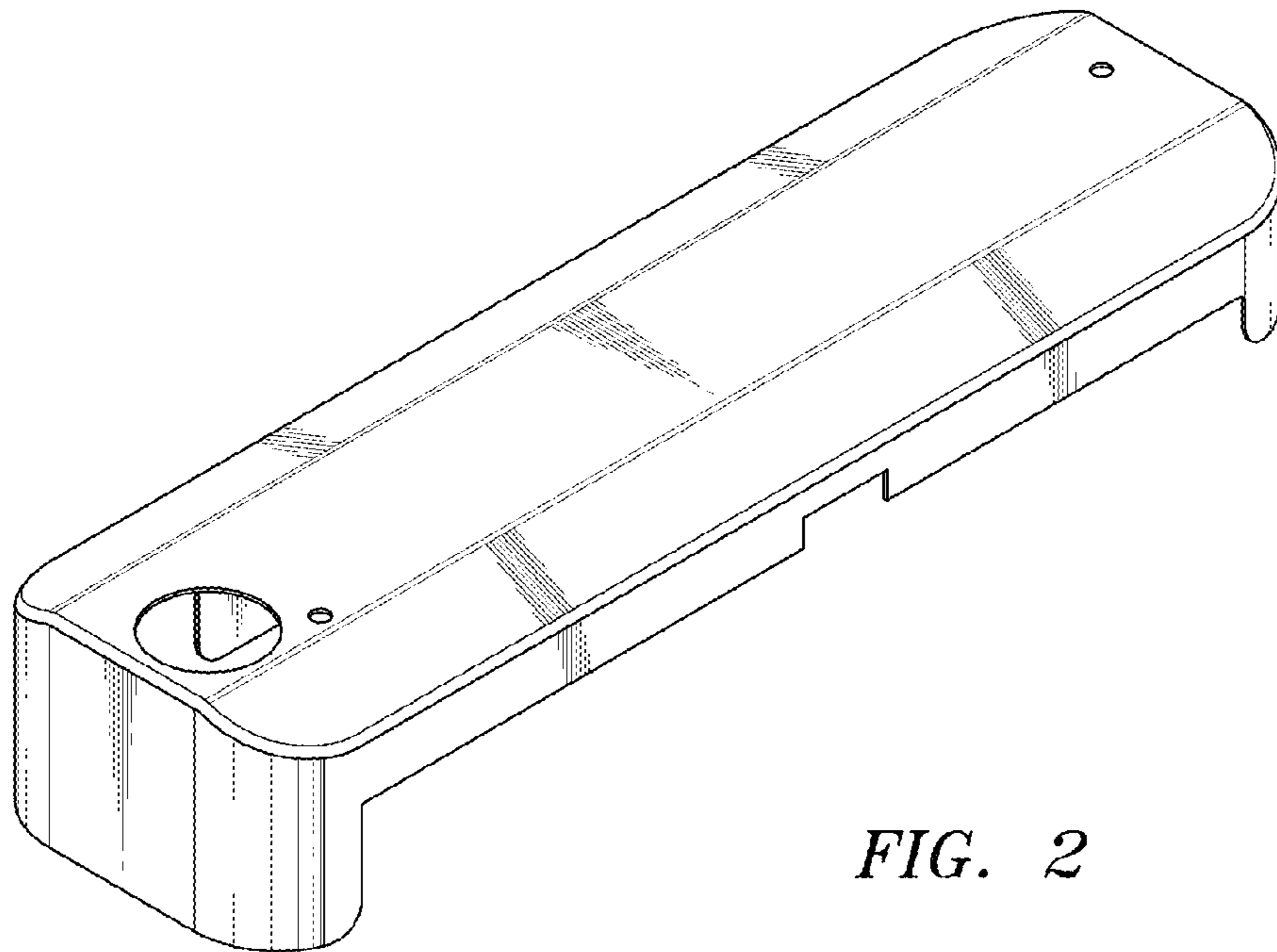
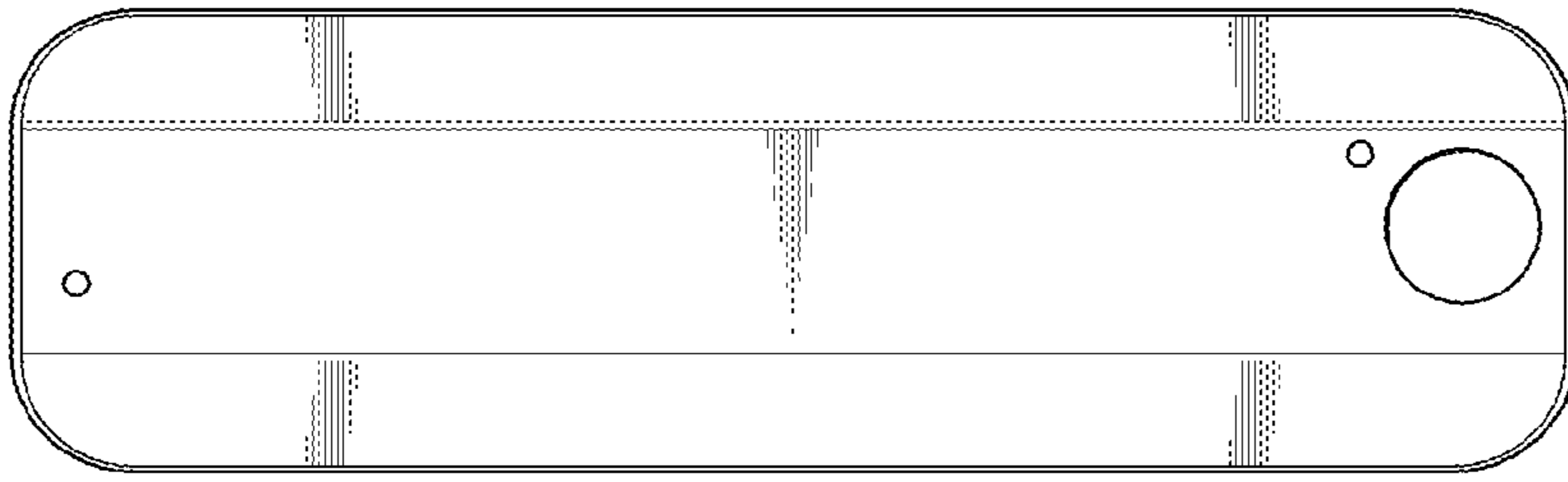
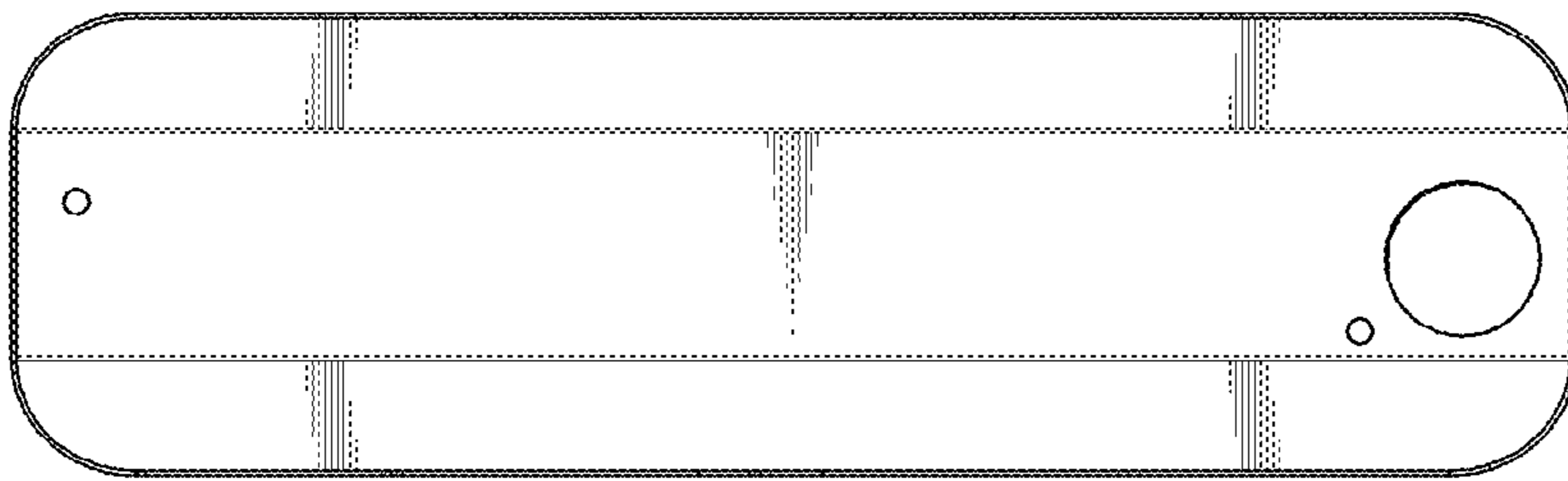


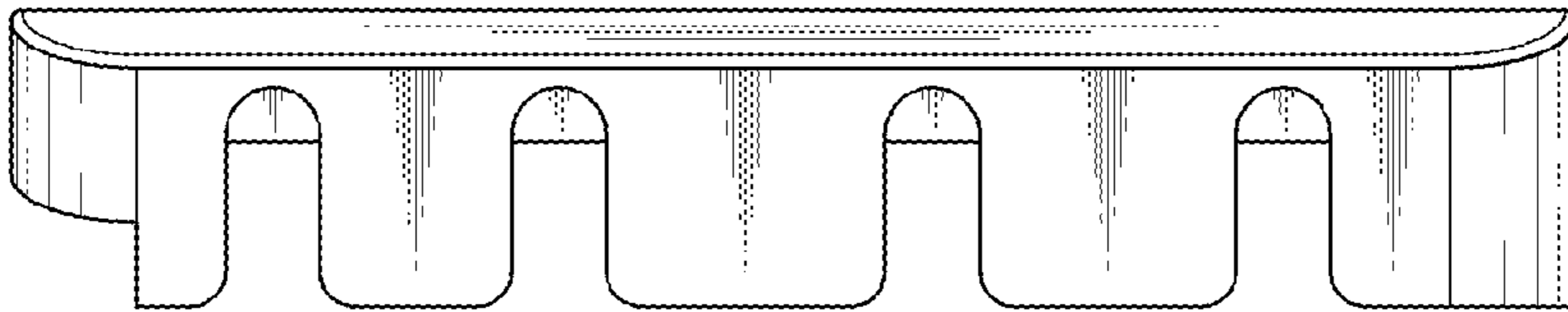
FIG. 2



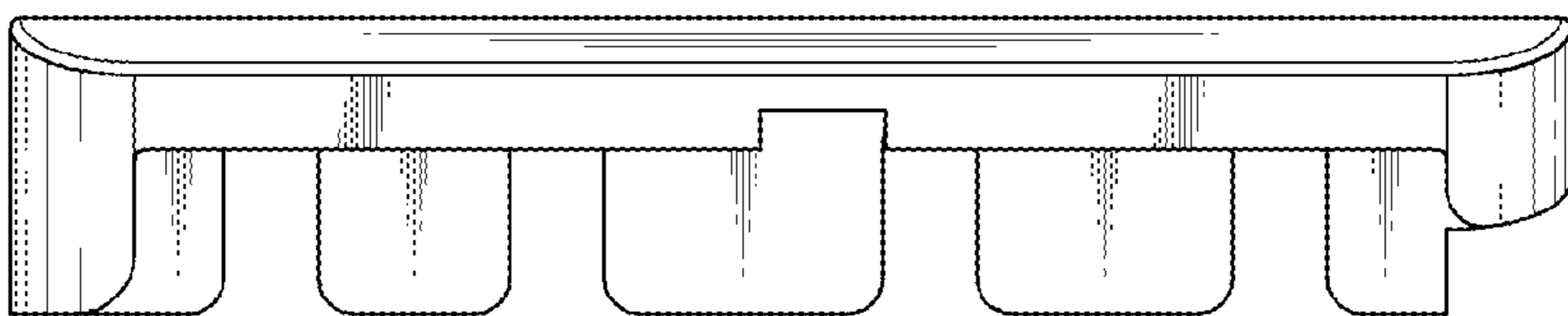
*FIG. 3*



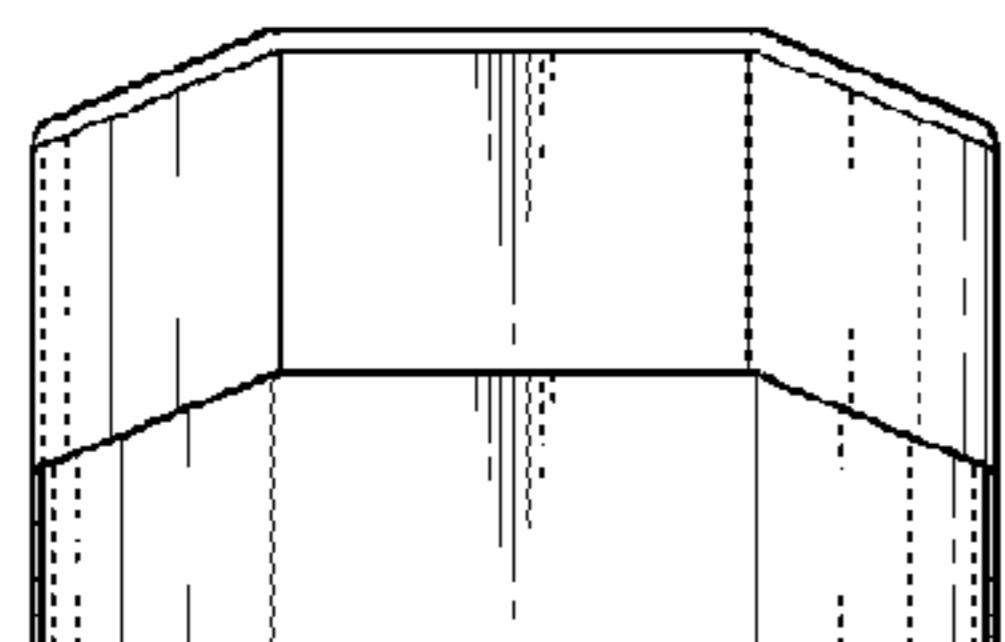
*FIG. 4*



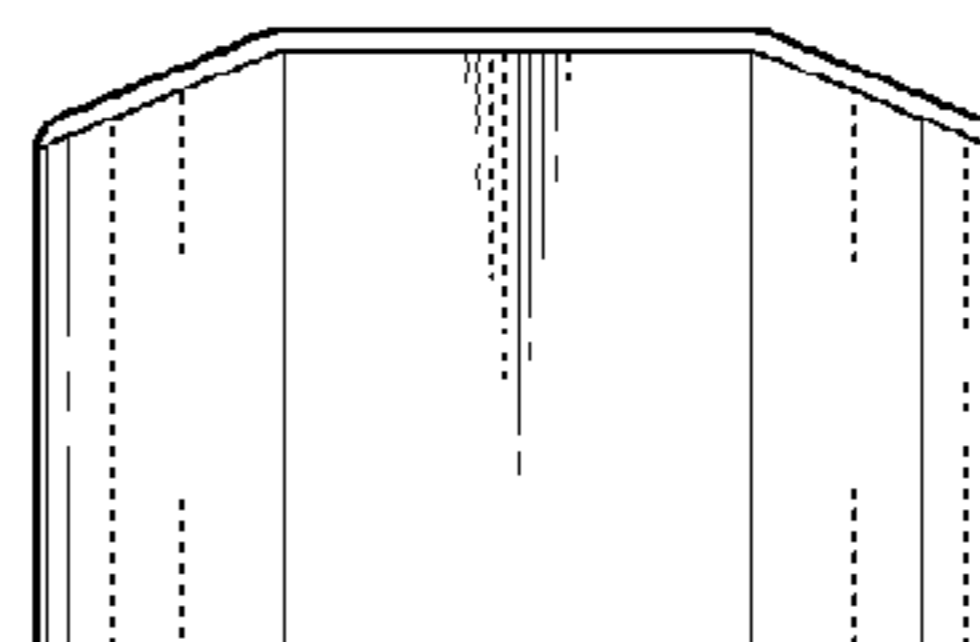
*FIG. 5*



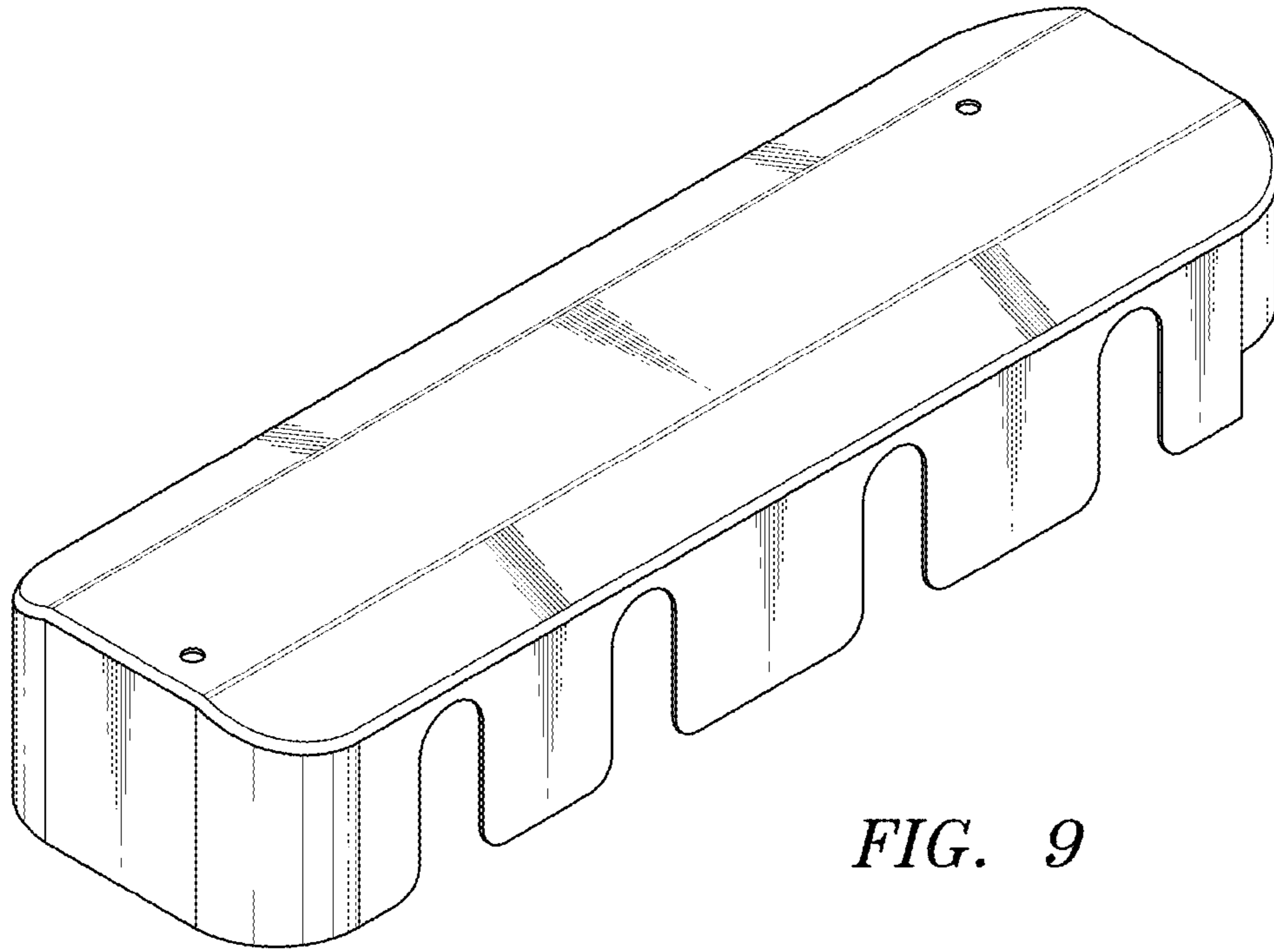
*FIG. 6*



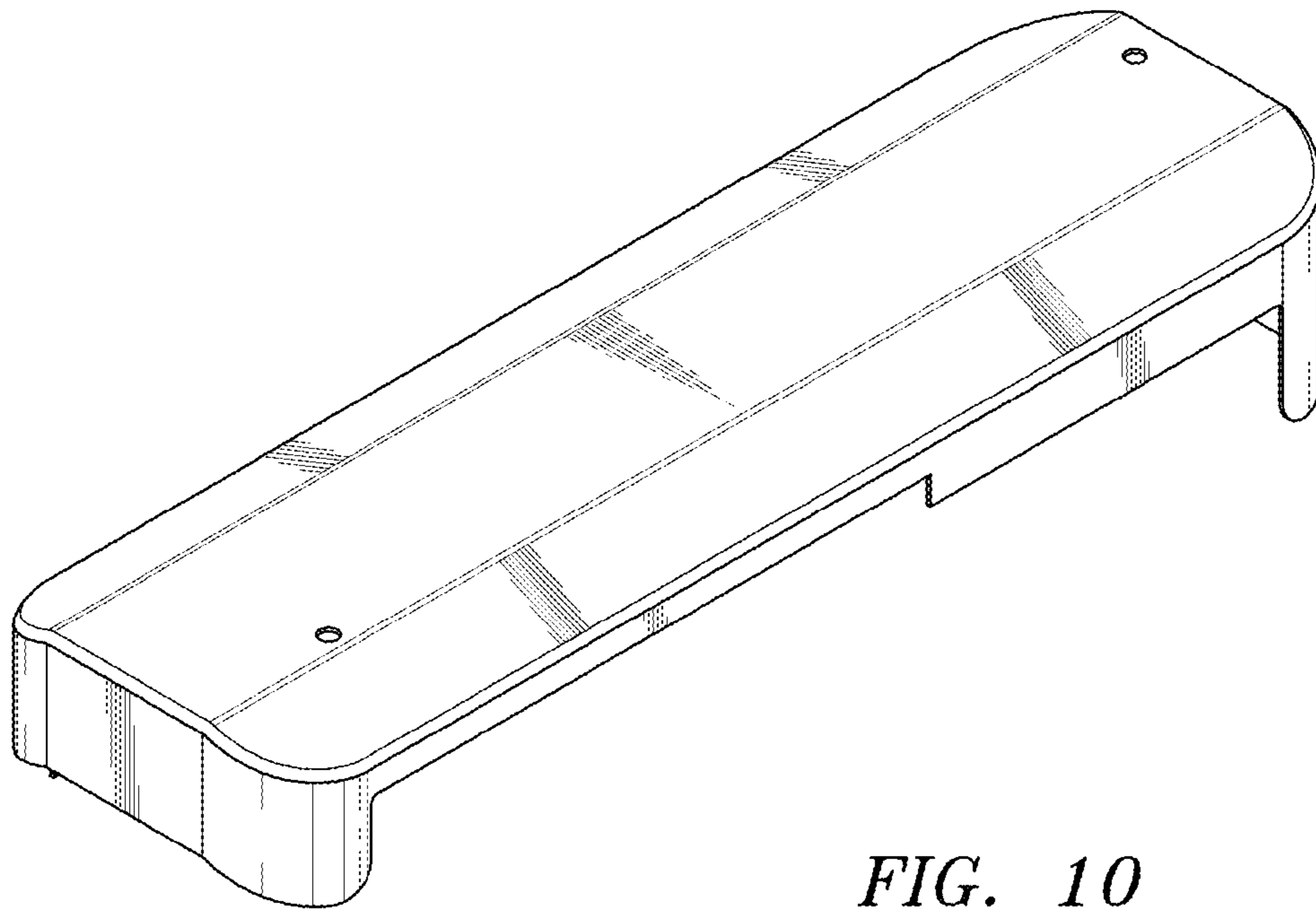
*FIG. 7*



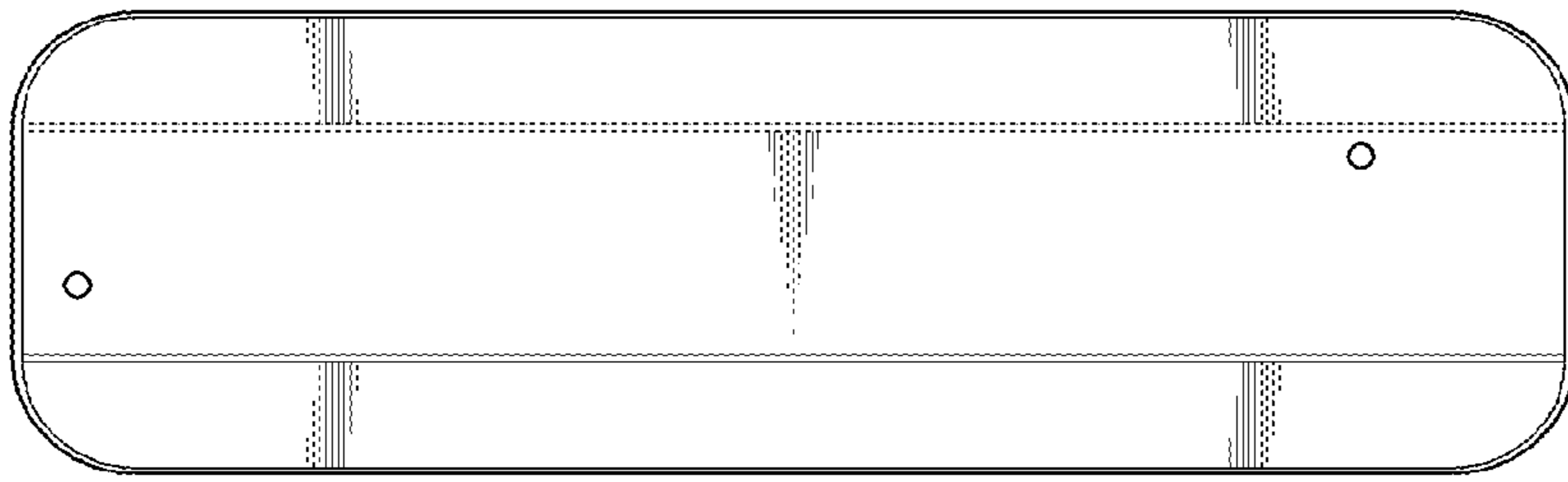
*FIG. 8*



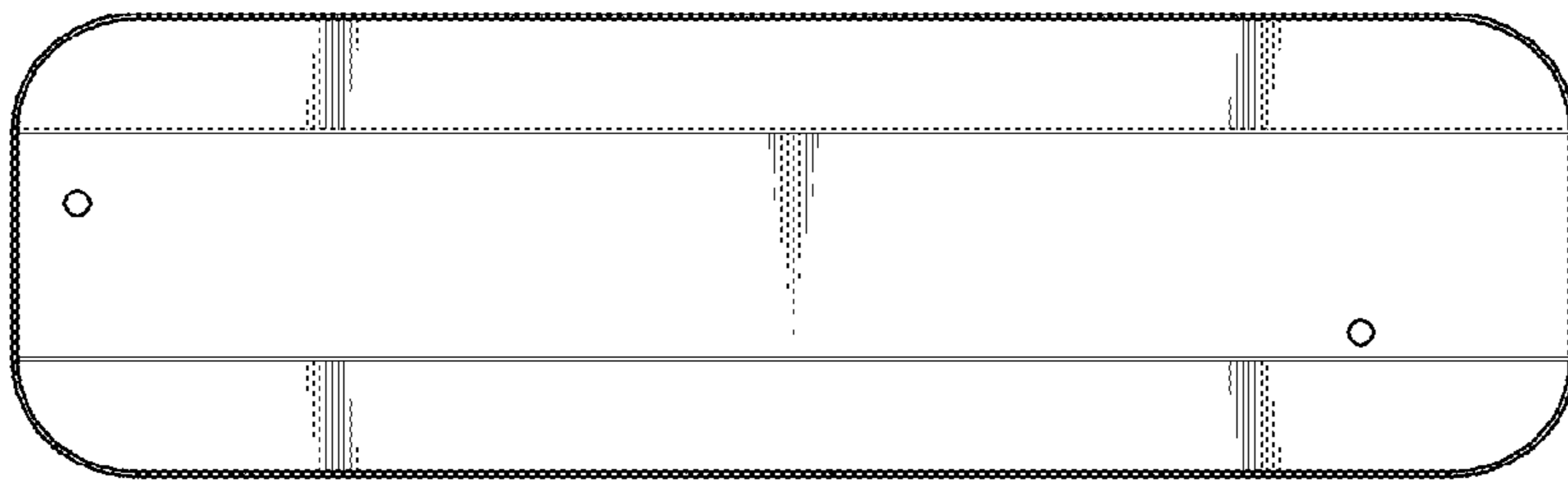
*FIG. 9*



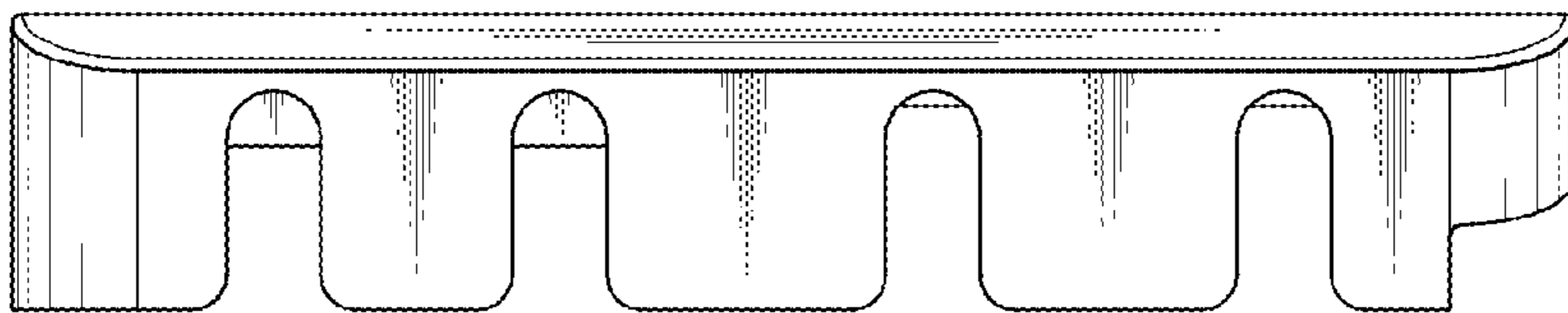
*FIG. 10*



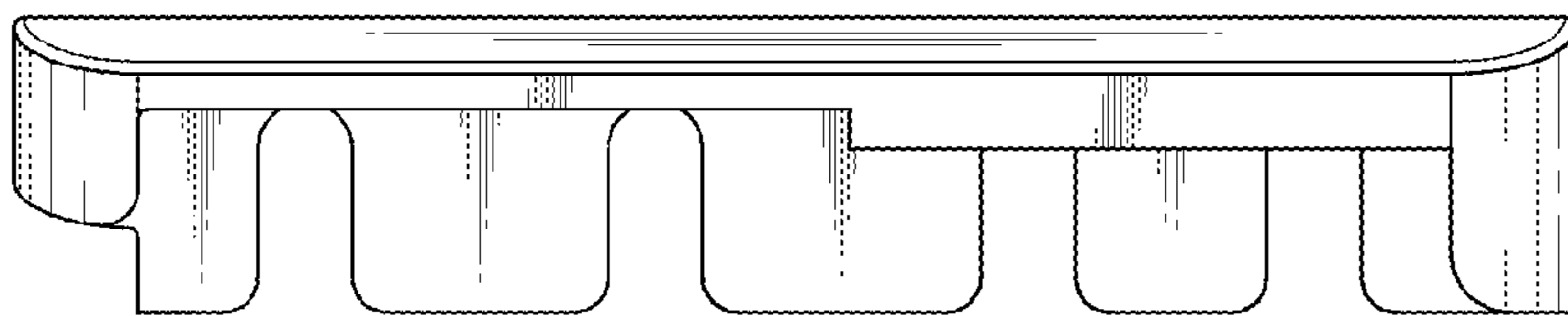
*FIG. 11*



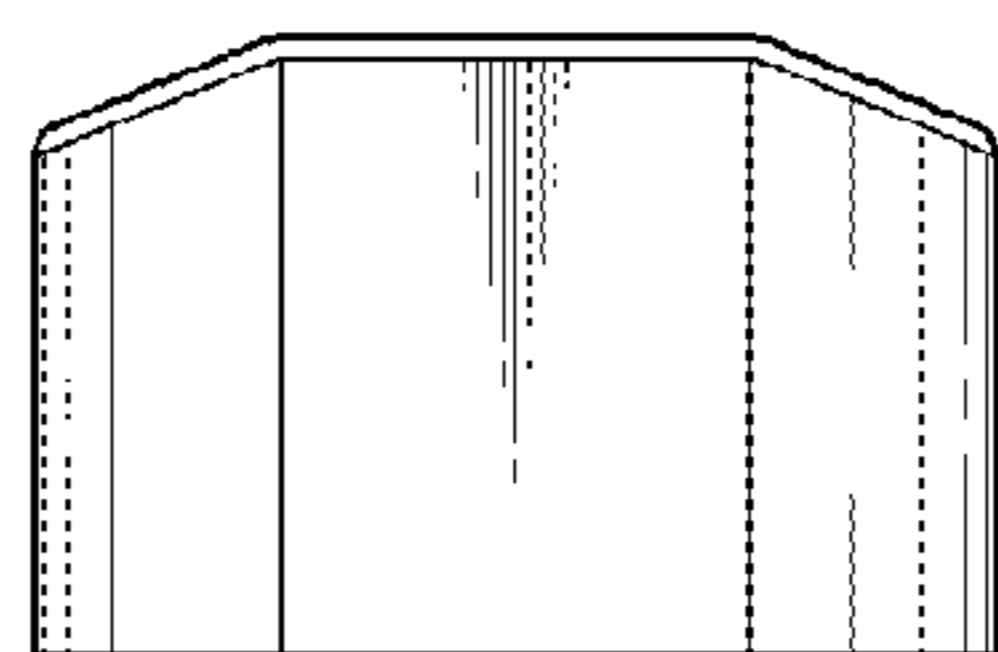
*FIG. 12*



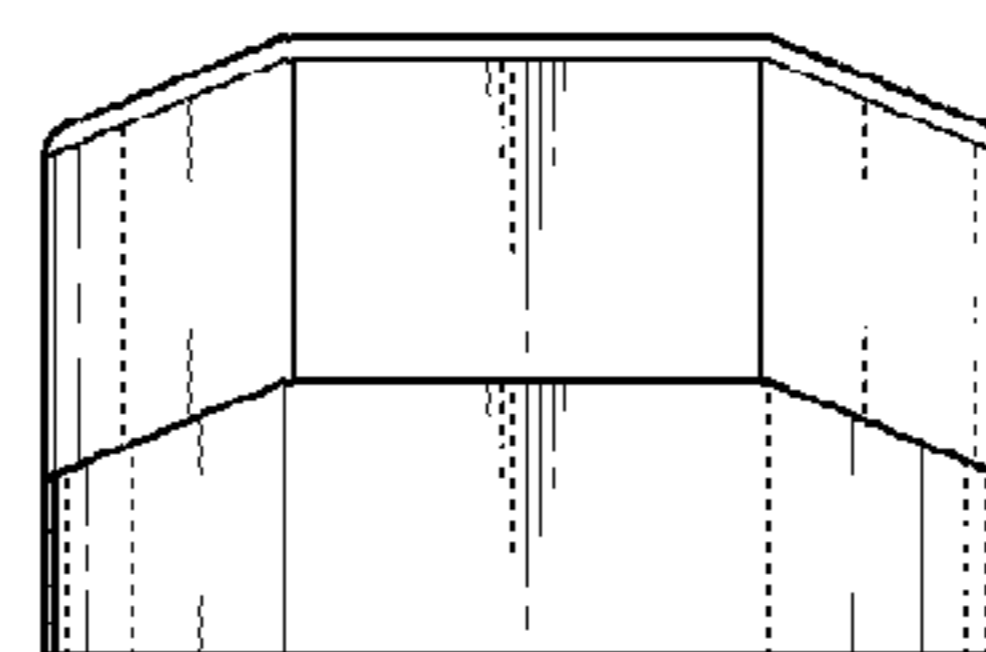
*FIG. 13*



*FIG. 14*



*FIG. 15*



*FIG. 16*

UNITED STATES PATENT AND TRADEMARK OFFICE  
**CERTIFICATE OF CORRECTION**

PATENT NO. : D735,759 S  
APPLICATION NO. : 29/428908  
DATED : August 4, 2015  
INVENTOR(S) : Shihwen Chan

Page 1 of 1

It is certified that error appears in the above-identified patent and that said Letters Patent is hereby corrected as shown below:

Title page, right column, in the second line of the description of FIG. 13, cancel "iimition" and replace with --ignition--.

Signed and Sealed this  
First Day of March, 2016



Michelle K. Lee  
*Director of the United States Patent and Trademark Office*